



US00D606676S

(12) **United States Design Patent**  
**Mulla**

(10) **Patent No.:** **US D606,676 S**

(45) **Date of Patent:** **\*\* Dec. 22, 2009**

(54) **TRACTOR HEAD LAMP**

D568,501 S \* 5/2008 Nakazawa et al. .... D26/28

(75) Inventor: **Ibrahim Hasan Mulla**, Mumbai (IN)

\* cited by examiner

(73) Assignee: **Mahindra & Mahindra Ltd.**,  
Maharashtra (IN)

*Primary Examiner*—Marcus A. Jackson  
(74) *Attorney, Agent, or Firm*—George W. Moxon, II;  
Roetzel & Andress

(\*\*) Term: **14 Years**

(57) **CLAIM**

(21) Appl. No.: **29/305,682**

The ornamental design for a tractor head lamp, as shown and described.

(22) Filed: **Mar. 26, 2008**

(30) **Foreign Application Priority Data**

**DESCRIPTION**

Sep. 27, 2007 (IN) ..... 212661

FIG. 1 is a left perspective view of the tractor head lamp showing our new design;

(51) **LOC (9) Cl.** ..... **26-06**

FIG. 2 is a top view thereof;

(52) **U.S. Cl.** ..... **D26/28**

FIG. 3 is a bottom view thereof;

(58) **Field of Classification Search** ..... D26/28-36;  
362/459-468, 475-478, 485-487  
See application file for complete search history.

FIG. 4 is a front view thereof;

FIG. 5 is a rear view thereof; and,

FIG. 6 is a left side view thereof.

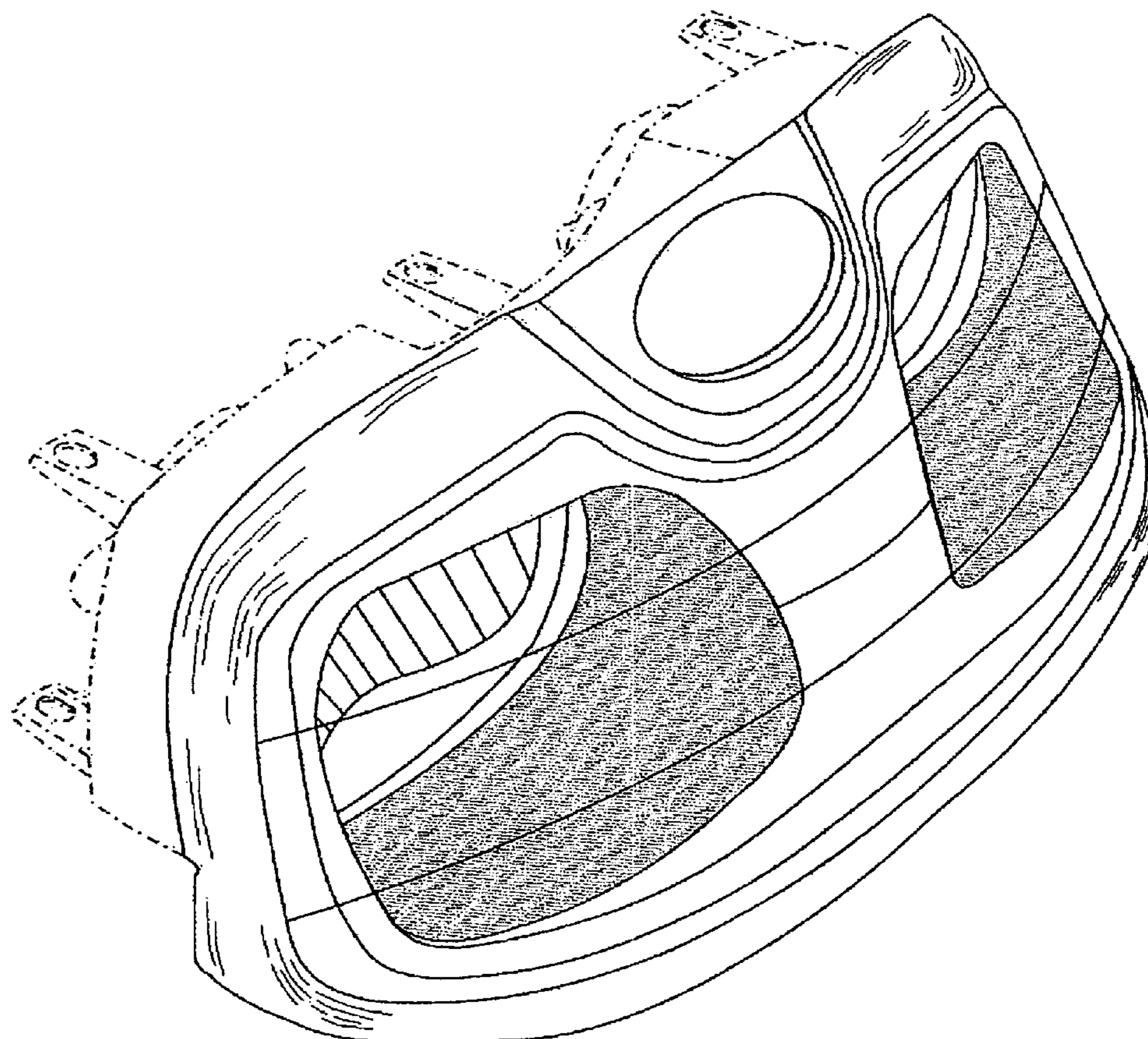
(56) **References Cited**

The broken line showing of the tractor head lamp is included for the purpose of illustrating environmental structure and forms no part of the claimed design.

**U.S. PATENT DOCUMENTS**

D470,256 S \* 2/2003 Crookes et al. .... D26/28  
D535,042 S \* 1/2007 Nakayama ..... D26/28  
D548,859 S \* 8/2007 Higashikawa ..... D26/28

**1 Claim, 6 Drawing Sheets**



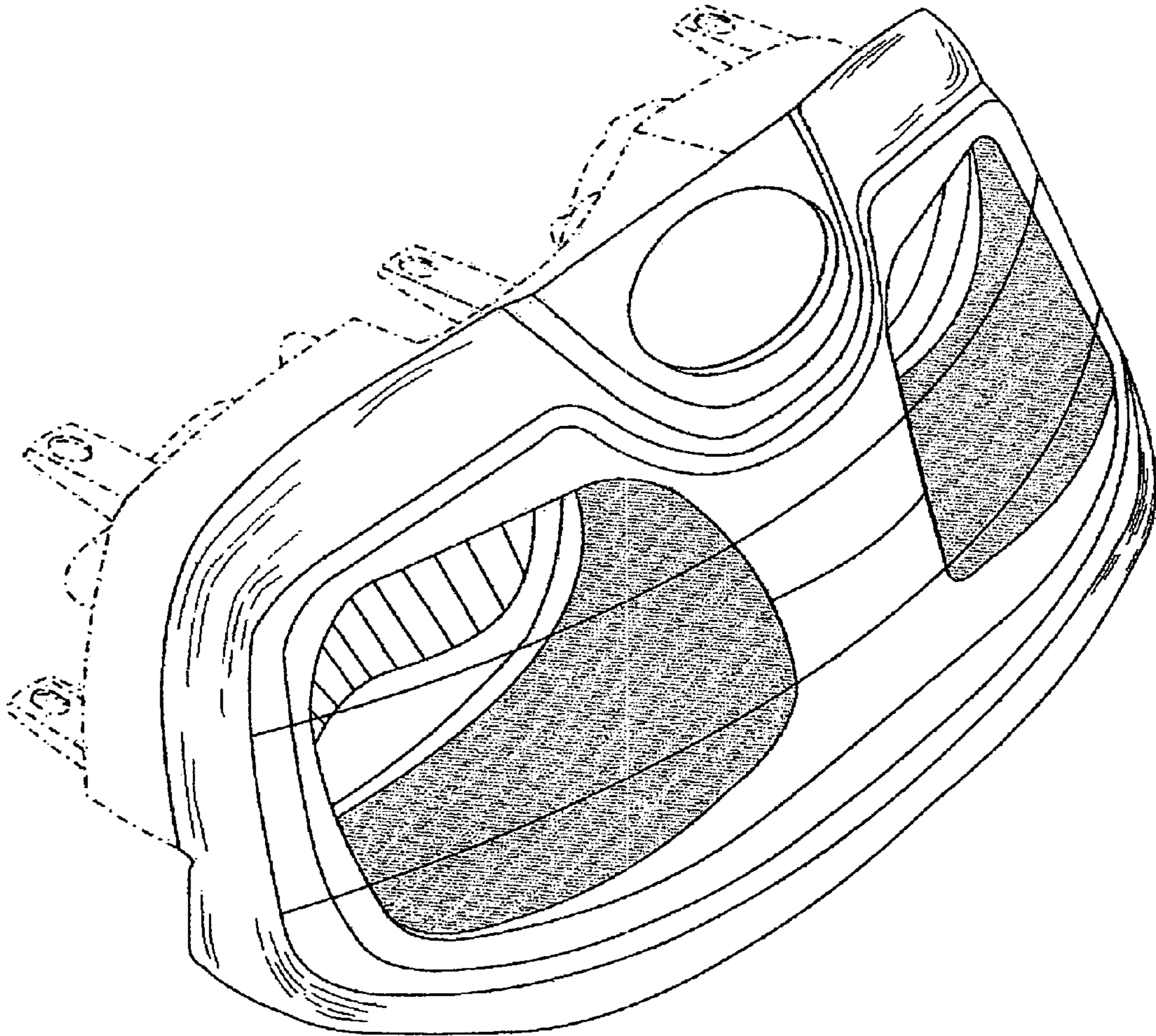


FIG. 1

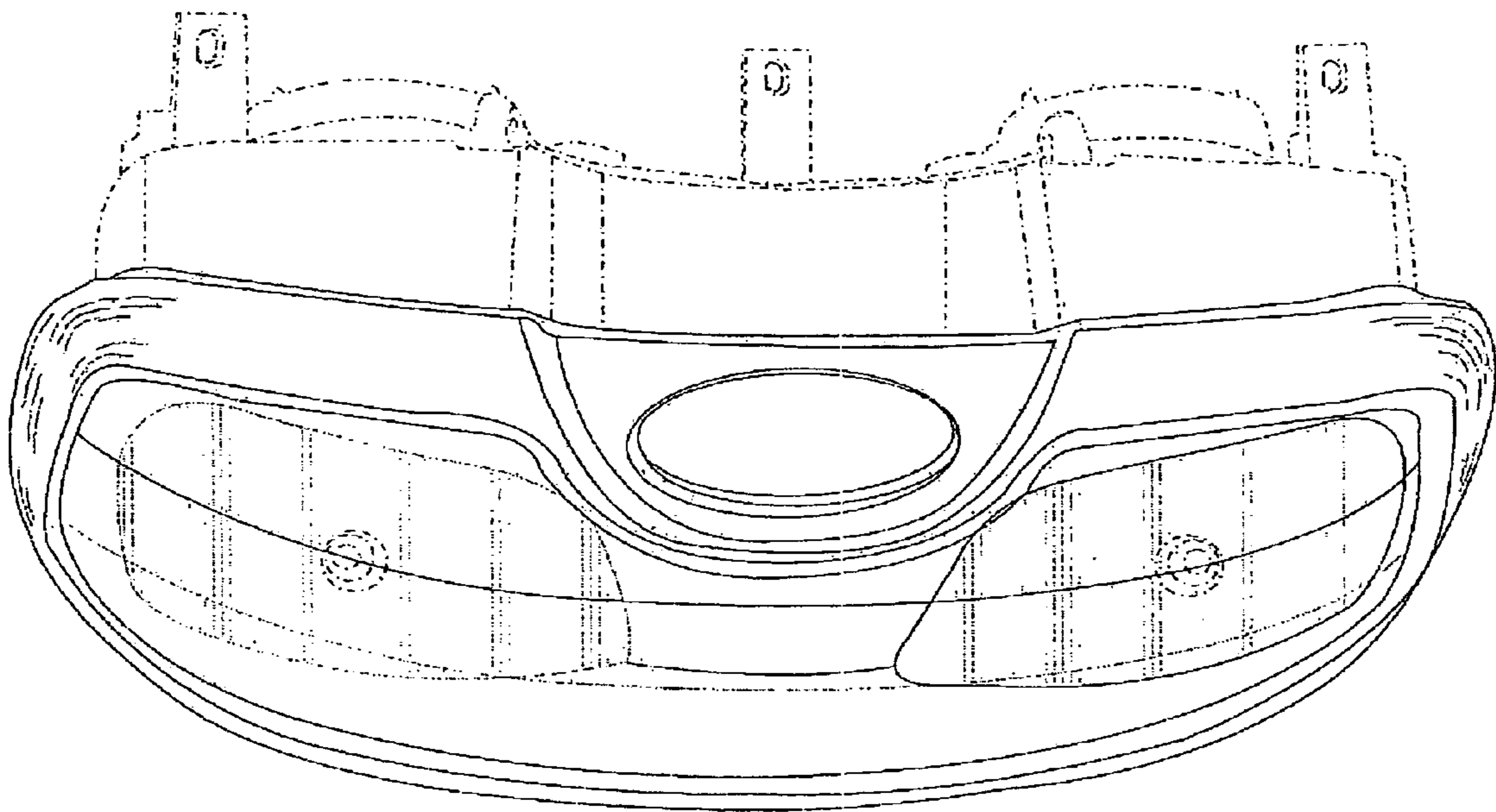


FIG. 2



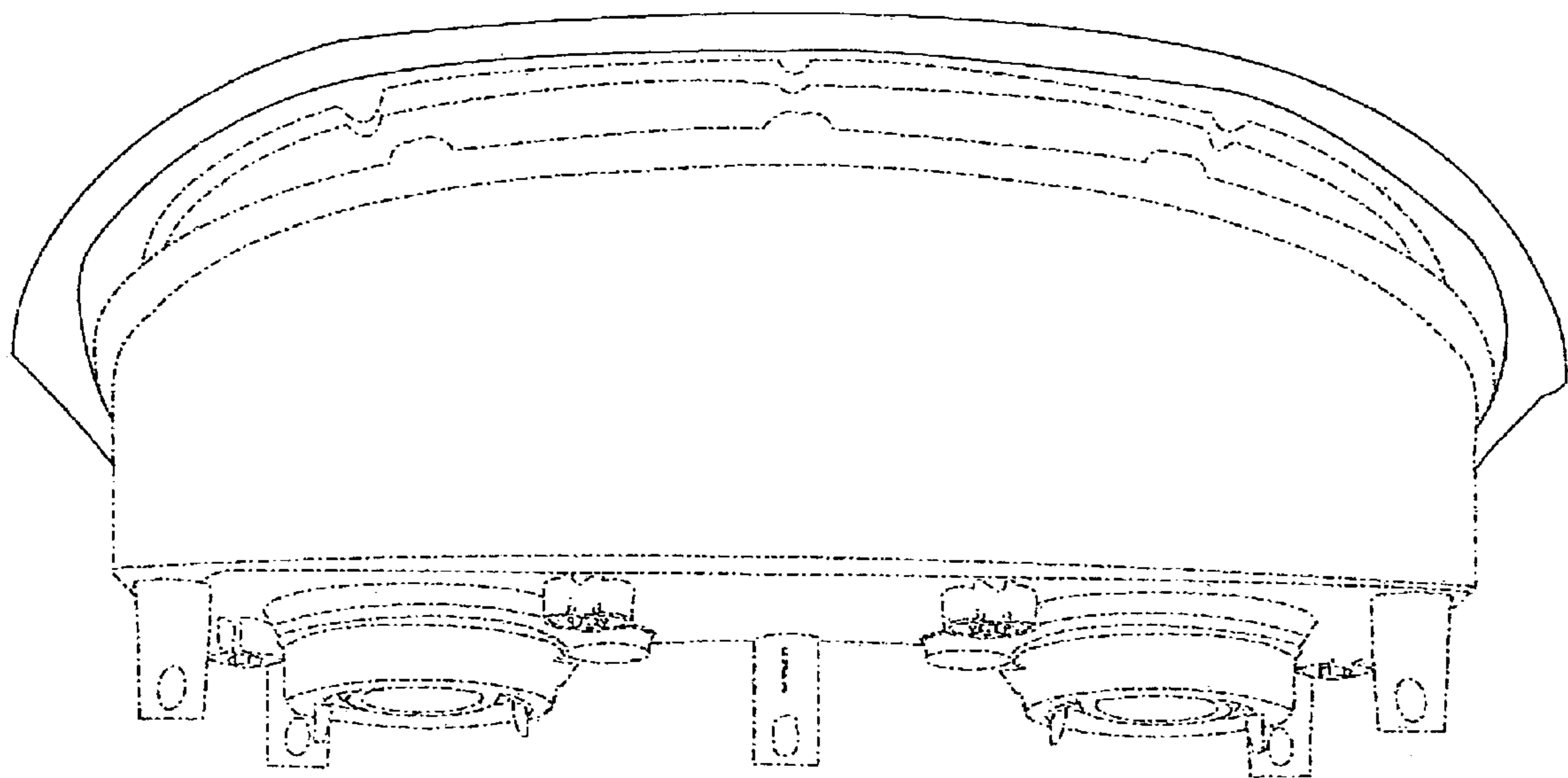


FIG. 3

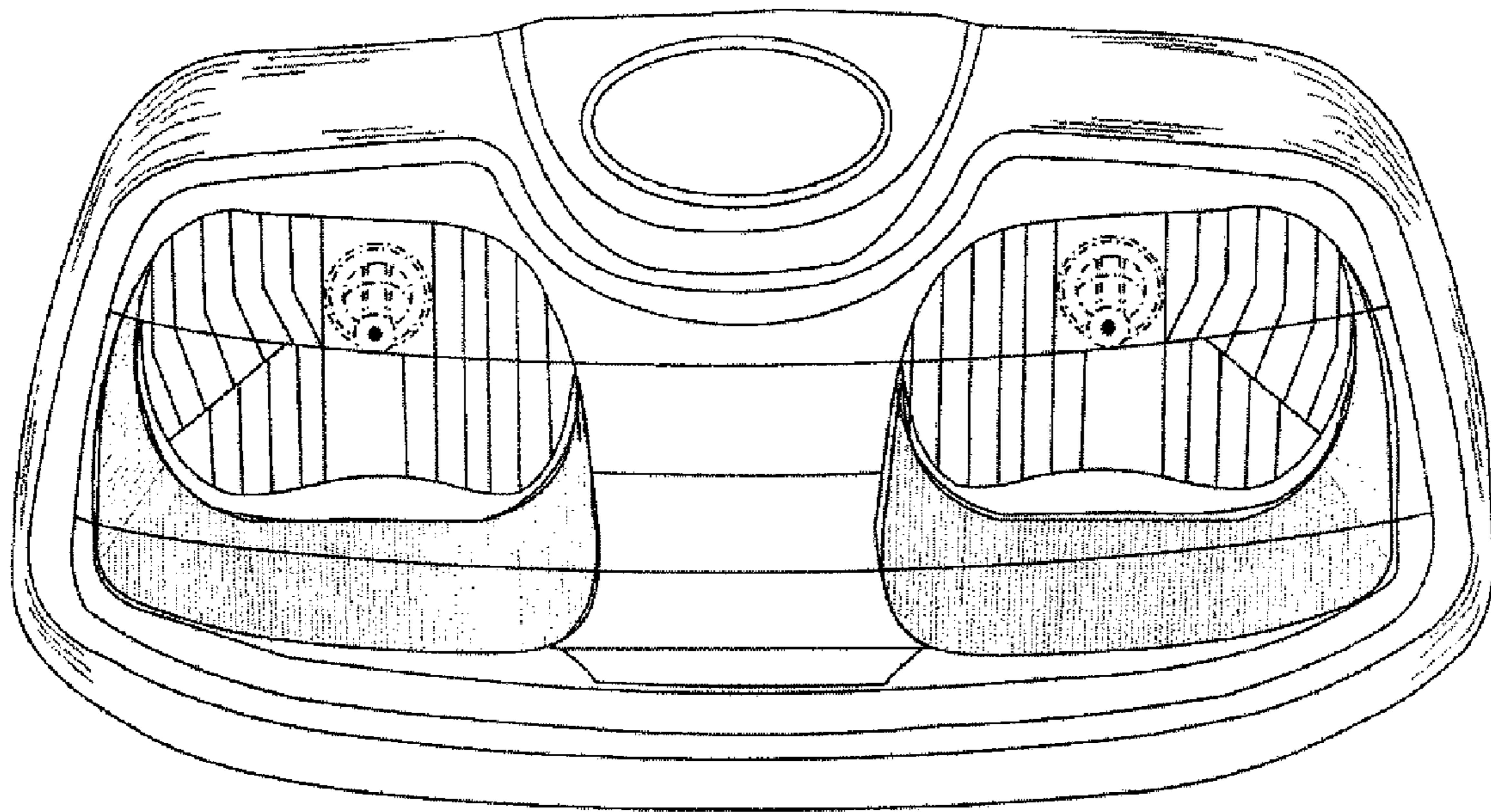


FIG. 4

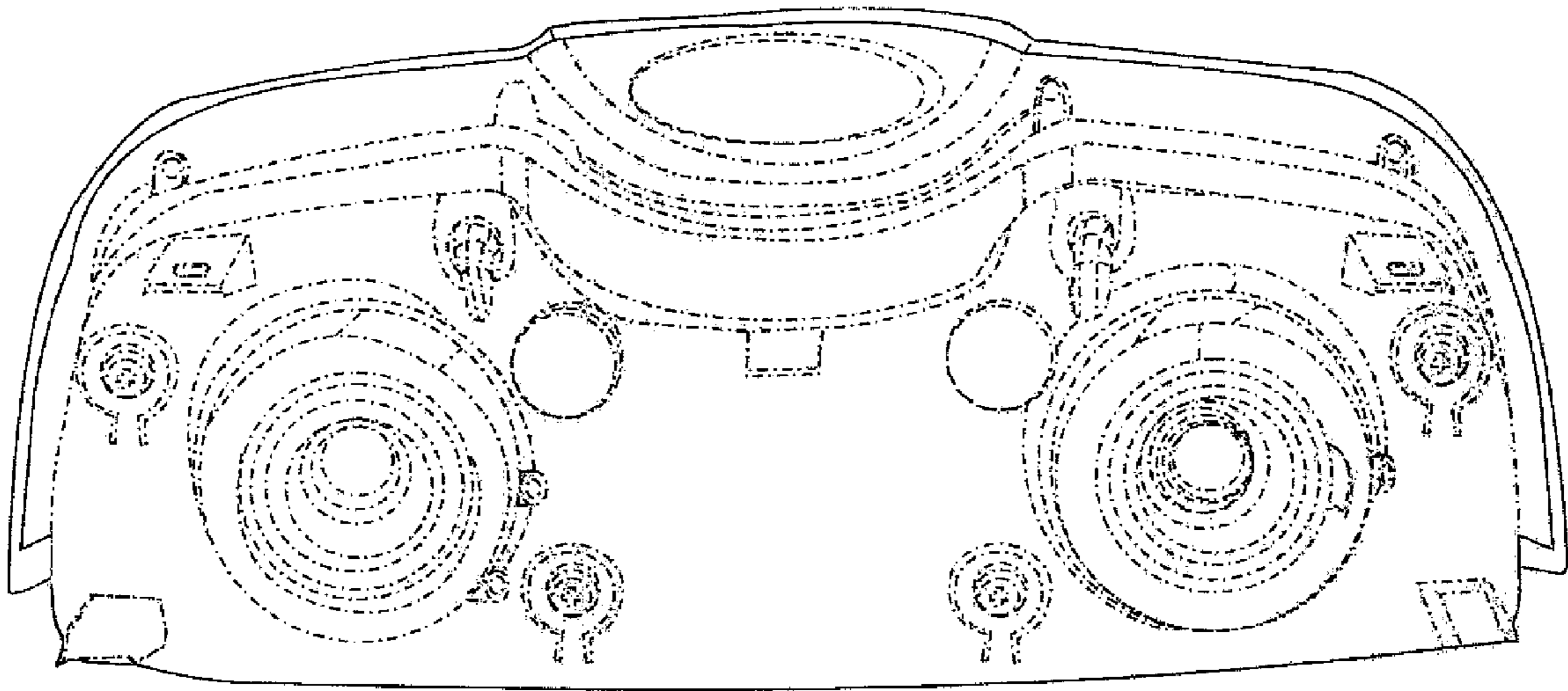


FIG. 5

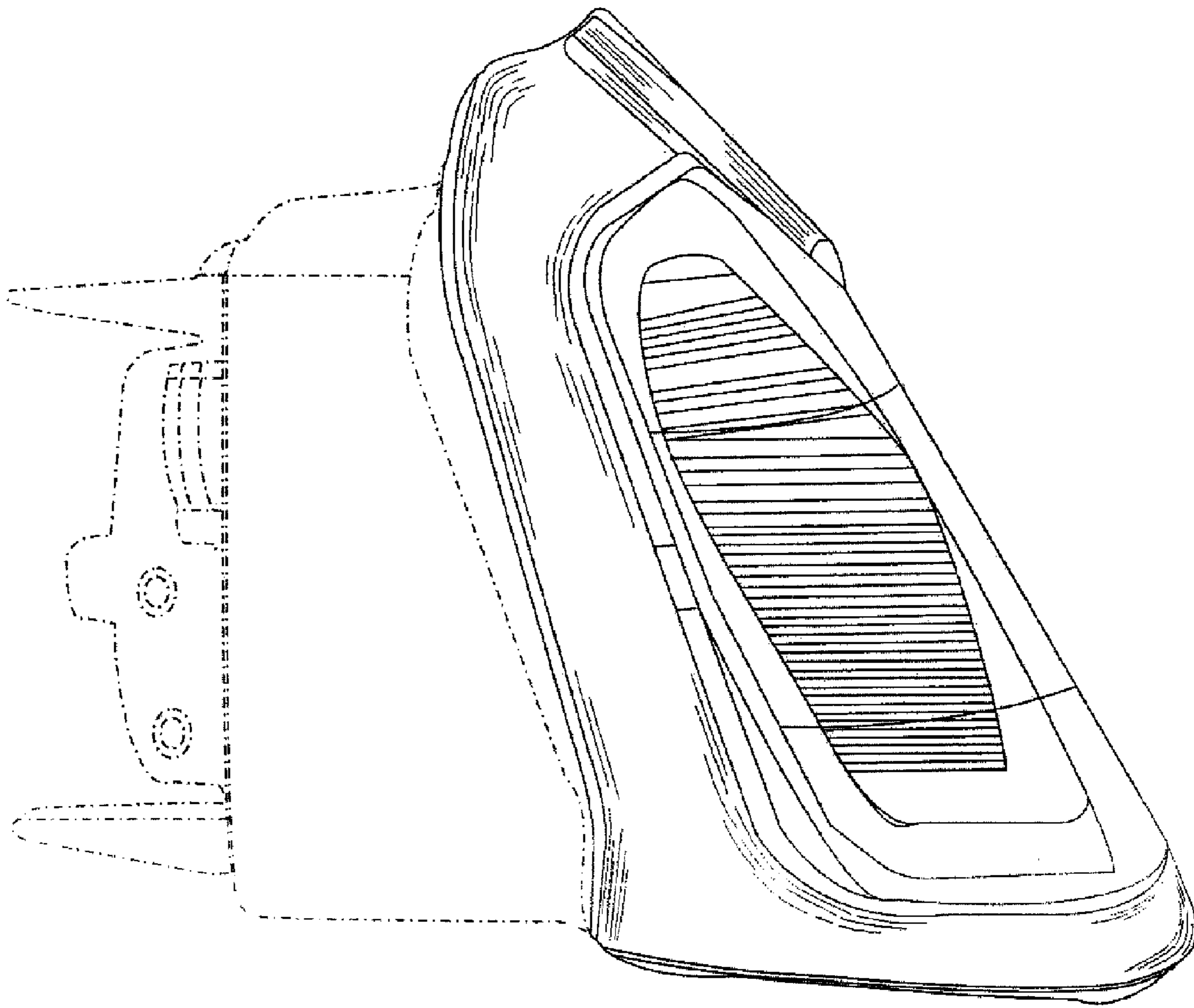


FIG. 6