



US00D606675S

(12) **United States Design Patent**
Chinaglia

(10) **Patent No.:** **US D606,675 S**

(45) **Date of Patent:** **** Dec. 22, 2009**

(54) **PIVOTABLE HEADLIGHT**

D575,856 S * 8/2008 Ziemann et al. D23/284
D585,575 S * 1/2009 Crispin et al. D26/28

(75) Inventor: **Cristiana Chinaglia**, Carpi (IT)

* cited by examiner

(73) Assignee: **A.M.A. S.p.A.**, San Martino in Rio (IT)

Primary Examiner—Marcus A. Jackson

(**) Term: **14 Years**

(74) *Attorney, Agent, or Firm*—Frommer Lawrence & Haug
LLP; Ronald R. Santucci

(21) Appl. No.: **29/292,230**

(57) **CLAIM**

(22) Filed: **Oct. 3, 2007**

The ornamental design for a pivotable headlight, as shown
and described.

(30) **Foreign Application Priority Data**

Apr. 4, 2007 (EM) 000701735

DESCRIPTION

(51) **LOC (9) Cl.** **26-06**

FIG. 1 is a view in perspective of a design of my pivotable
headlight;

(52) **U.S. Cl.** **D26/28**

FIG. 2 is a front view thereof;

(58) **Field of Classification Search** D26/28–36;
362/459–468, 475–478, 485–487

FIG. 3 is a rear view thereof;

See application file for complete search history.

FIG. 4 is a first side view thereof;

FIG. 5 is a second side view thereof;

(56) **References Cited**

U.S. PATENT DOCUMENTS

D490,172 S * 5/2004 Yamamoto D26/28

FIG. 6 is a plan view thereof; and,

D521,162 S * 5/2006 Campagna D26/28

FIG. 7 is a bottom view thereof.

D532,537 S * 11/2006 Shiu D26/39

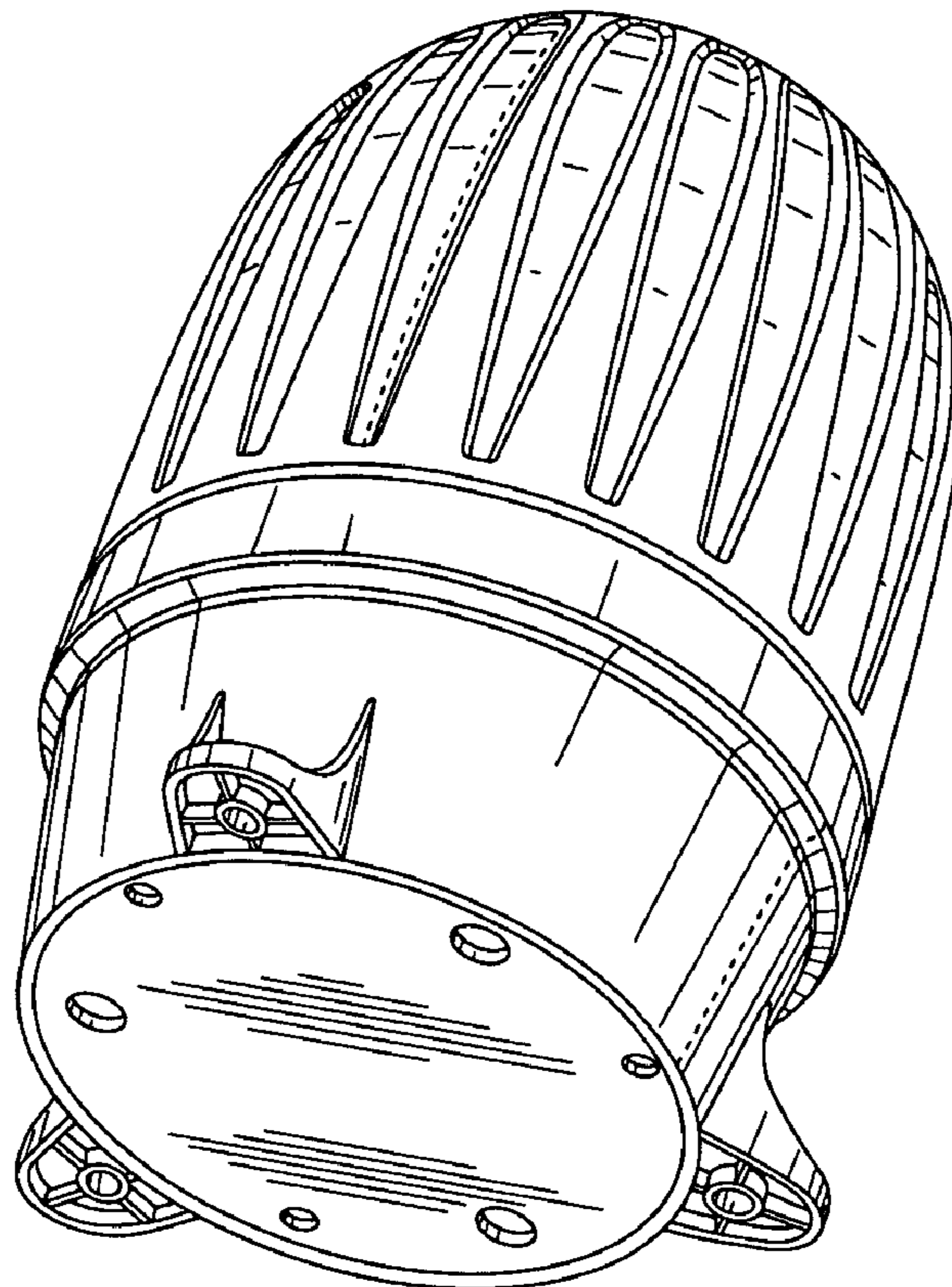
The broken lines shown throughout the views are features that
form no part of the ornamental design.

D564,683 S * 3/2008 Roach et al. D26/28

1 Claim, 3 Drawing Sheets

D570,011 S * 5/2008 Huang D26/28

D574,978 S * 8/2008 Hyodo et al. D26/28



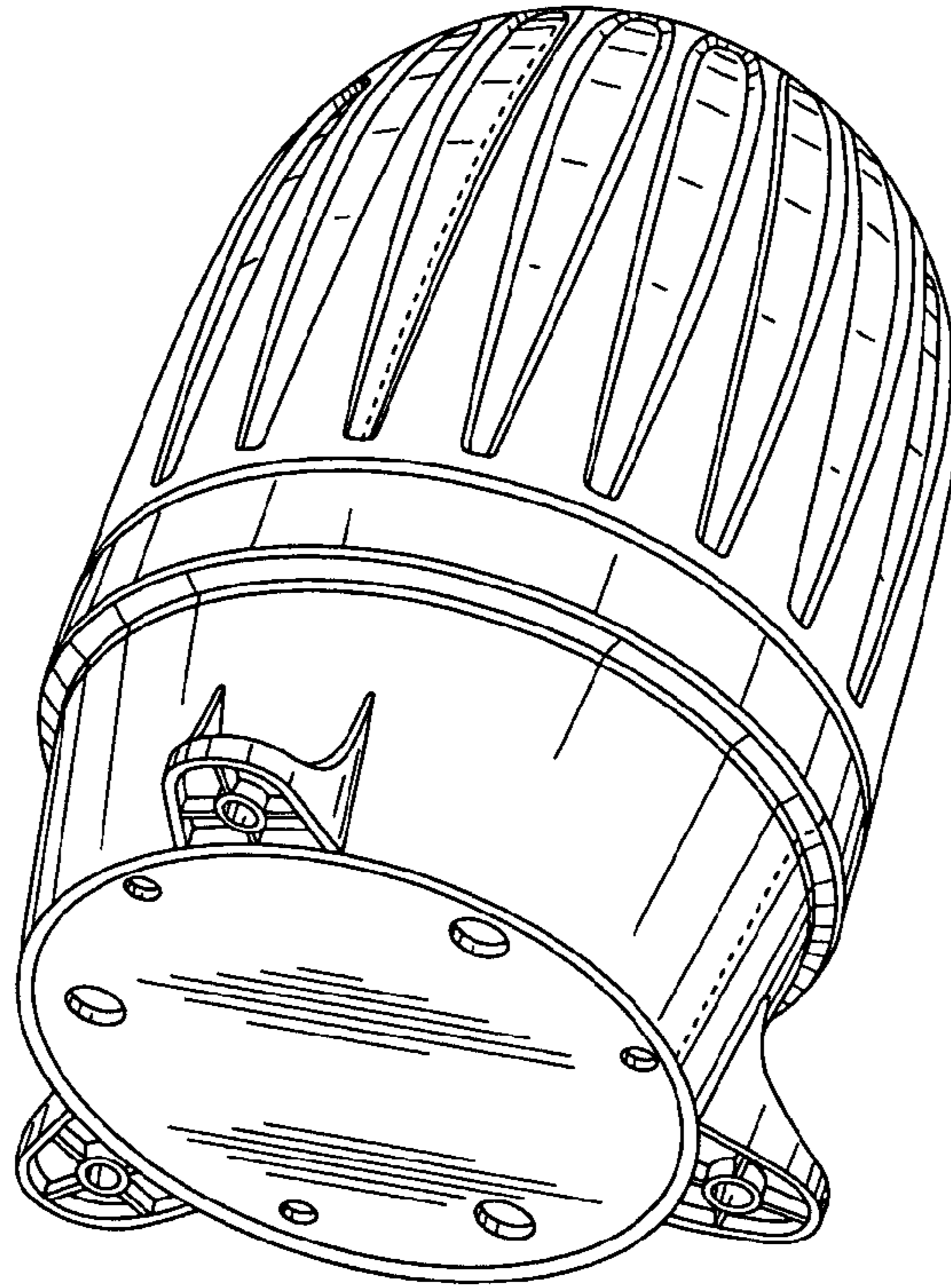


FIG. 1

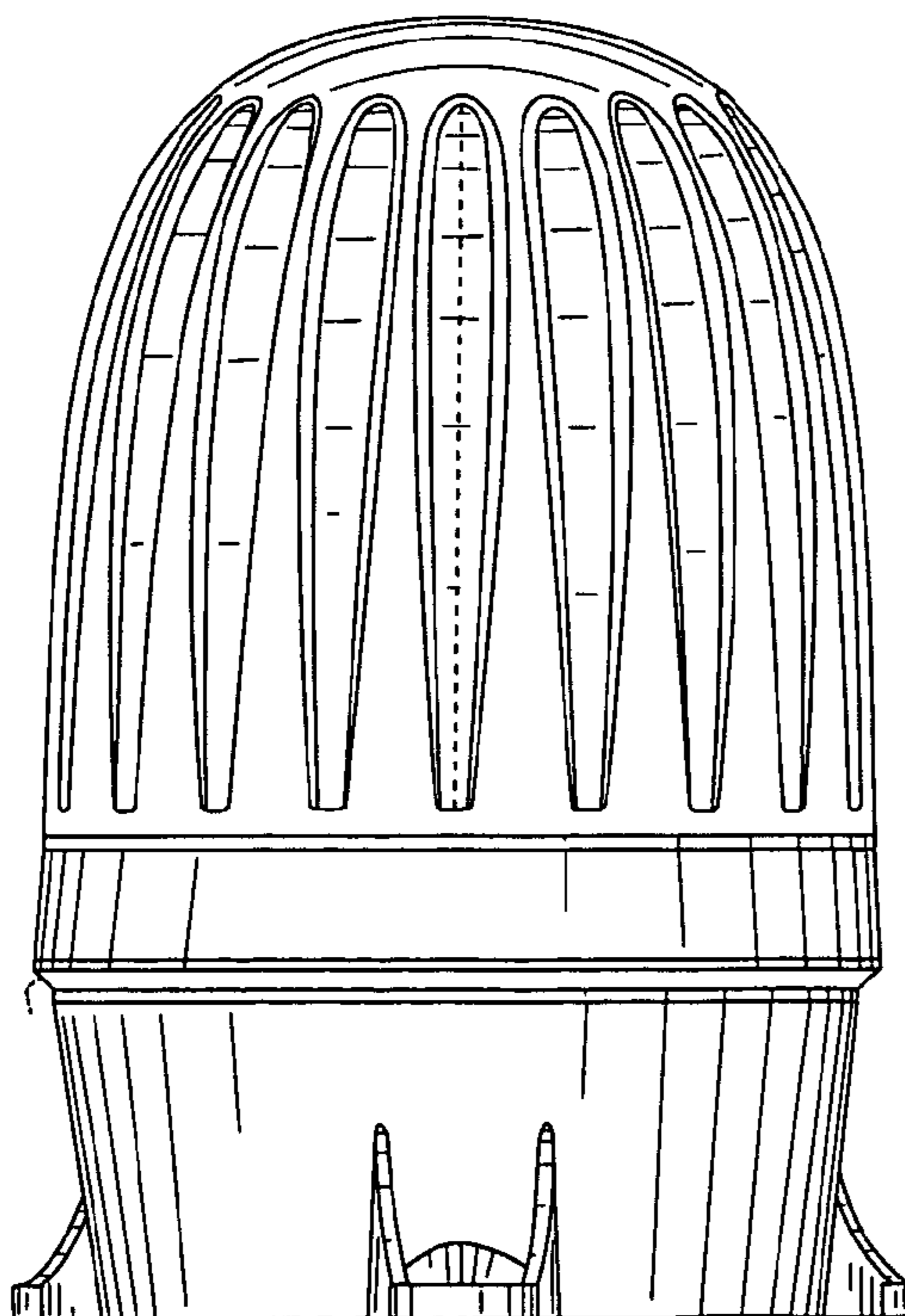


FIG. 2

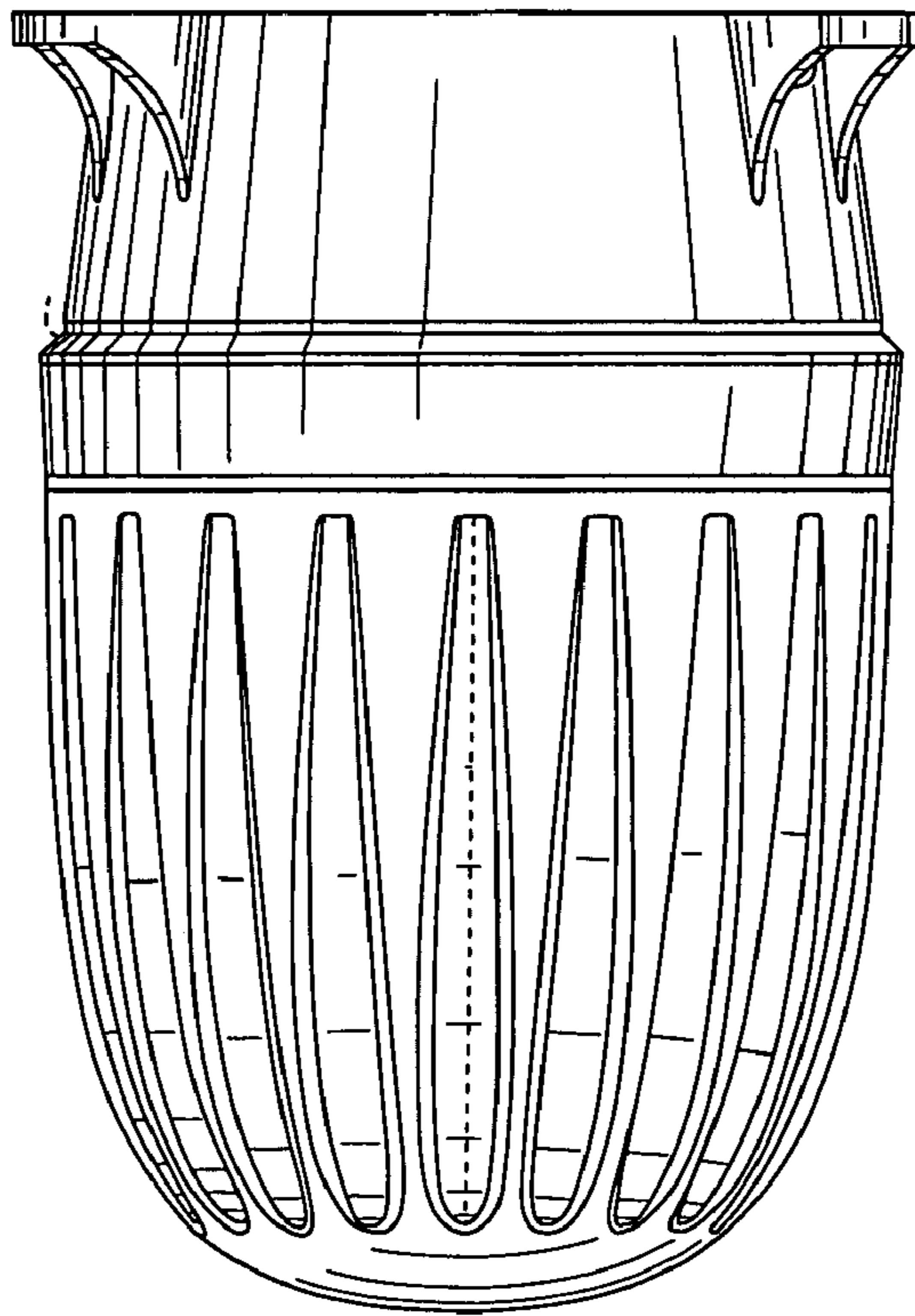


FIG. 3

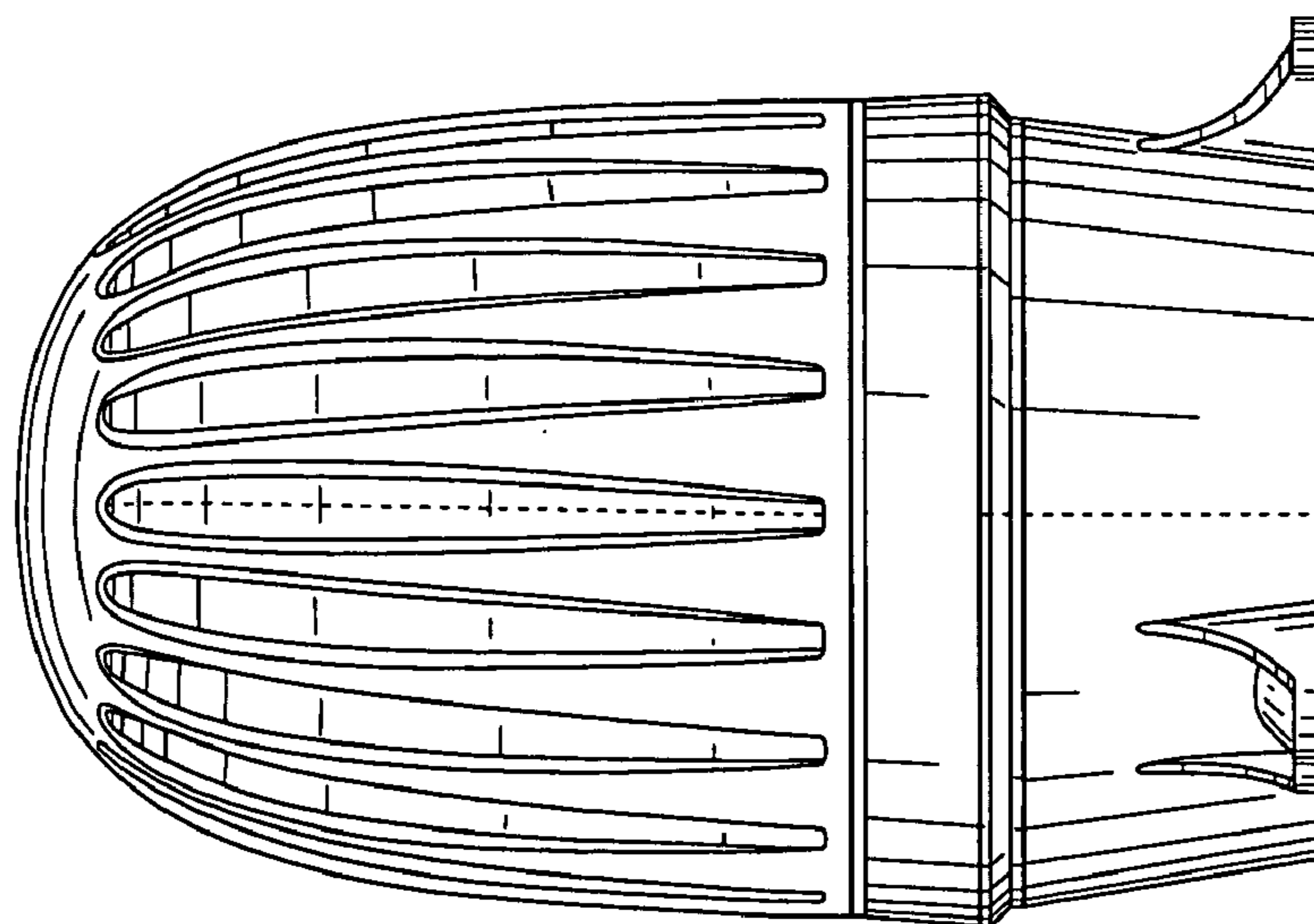


FIG. 4

FIG. 5

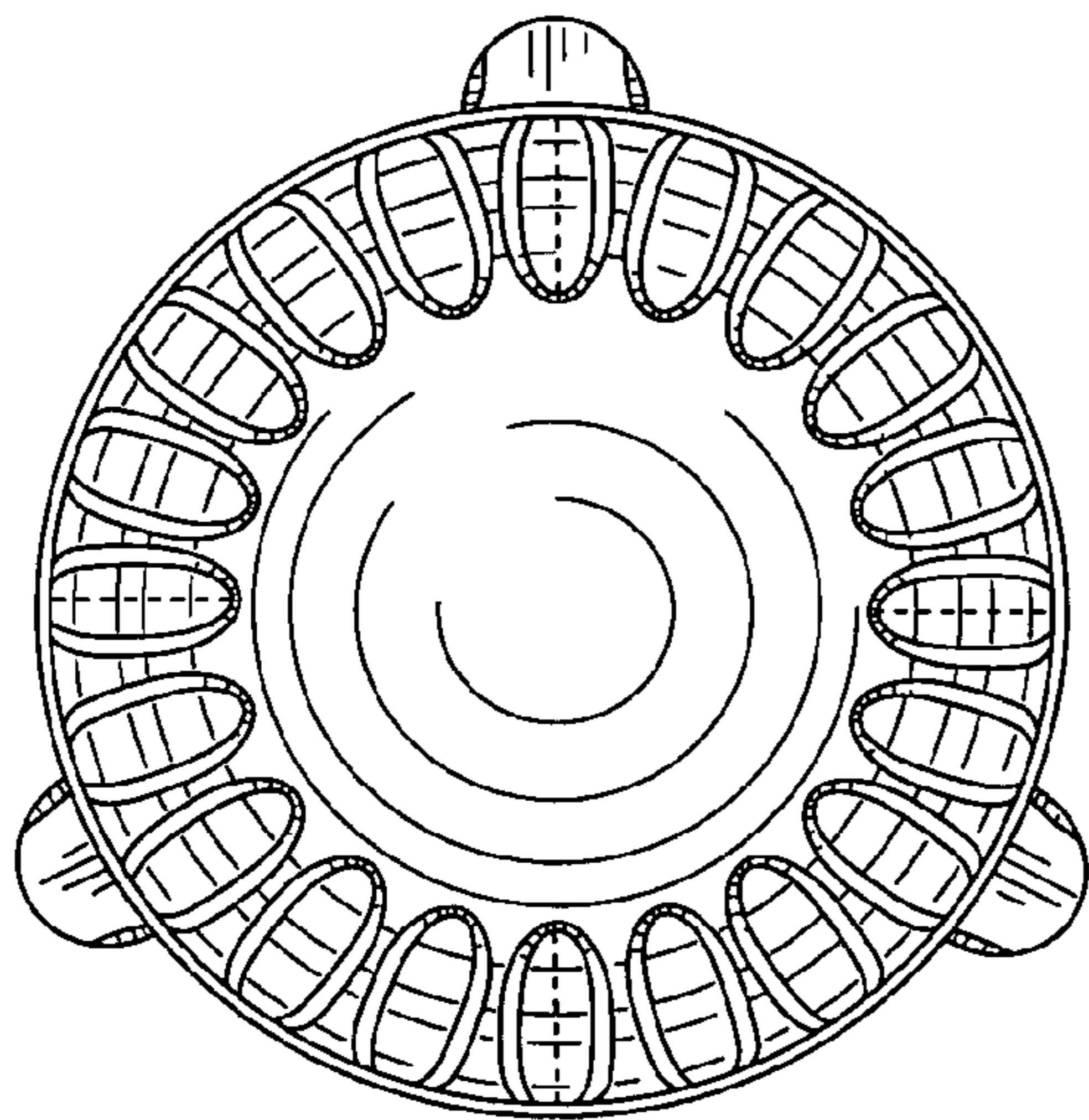
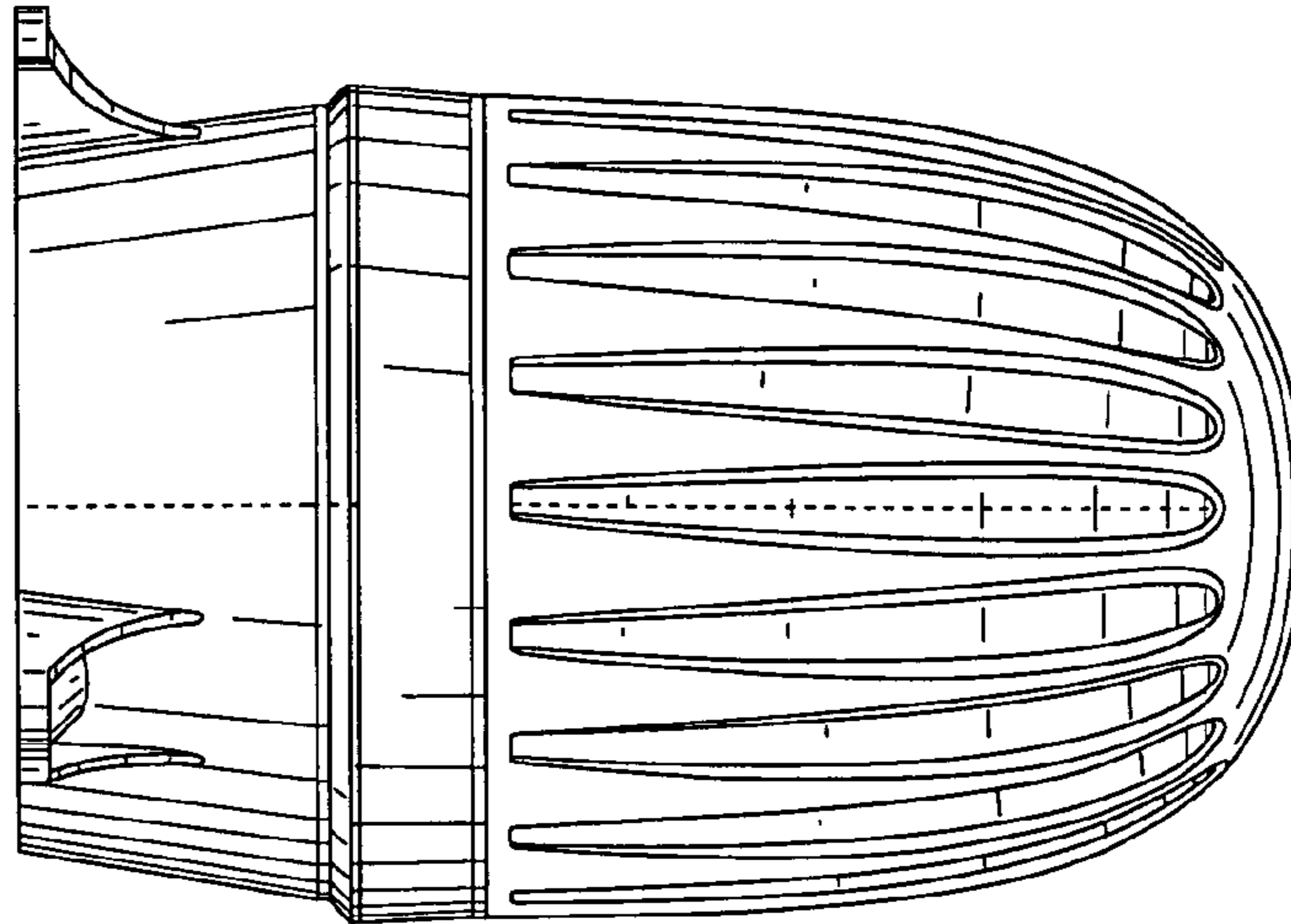


FIG. 6

FIG. 7

