



US00D606670S

(12) **United States Design Patent**  
**Keeley**

(10) **Patent No.:** **US D606,670 S**  
(45) **Date of Patent:** **\*\* Dec. 22, 2009**

(54) **LAWN EDGING AND CONNECTOR INVENTION**

(75) Inventor: **David Keeley**, Marietta, OH (US)

(73) Assignee: **Dimex, LLC**, Marietta, OH (US)

(\*\*) Term: **14 Years**

(21) Appl. No.: **29/305,452**

(22) Filed: **Mar. 20, 2008**

(51) **LOC (9) Cl.** ..... **25-01**

(52) **U.S. Cl.** ..... **D25/121; D25/164**

(58) **Field of Classification Search** ..... D25/164,  
D25/121; 47/47, 32.7, 32.4  
See application file for complete search history.

(56) **References Cited**

**U.S. PATENT DOCUMENTS**

992,529 A	5/1911	Abraham	
1,666,613 A	4/1928	Woods	
D178,659 S *	9/1956	Hield	..... D25/121
2,809,809 A	10/1957	Johnston	
2,877,600 A	3/1959	Slate	
D185,236 S	5/1959	Reese	
3,332,197 A	7/1967	Hinkle	
3,604,164 A	9/1971	Durban	
3,619,944 A	11/1971	Matvey	
3,788,001 A	1/1974	Balfanz, Jr.	
4,202,145 A	5/1980	Coulter et al.	
4,628,632 A	12/1986	Zwier	
4,761,923 A	8/1988	Reum et al.	
5,020,272 A	6/1991	Herrema et al.	
5,117,583 A	6/1992	Reum	
D329,707 S	9/1992	Embree et al.	
5,152,507 A	10/1992	Lee	
5,301,461 A	4/1994	Zwier	

5,442,877 A	8/1995	Lindhal	
D366,191 S	1/1996	Gay	
D408,558 S	4/1999	Levy	
5,941,018 A	8/1999	Herrema	
6,012,254 A	1/2000	Gaston	
6,085,458 A *	7/2000	Gau	..... 47/33
6,108,969 A *	8/2000	Danna et al.	..... 47/33
6,226,934 B1	5/2001	Gaston	
D548,368 S	8/2007	Hale et al.	

**FOREIGN PATENT DOCUMENTS**

GB	2369979 A	6/2002
JP	7255277	10/1995
JP	2002253060	10/2002

\* cited by examiner

*Primary Examiner*—Doris Clark

(74) *Attorney, Agent, or Firm*—Wood, Herron & Evans, LLP

(57) **CLAIM**

I claim the ornamental design for a lawn edging, as shown and described.

**DESCRIPTION**

FIG. 1 is a front perspective view of a lawn edging showing the new design broken in the center thereof to show indeterminate length;

FIG. 2 is a rear perspective view thereof;

FIG. 3 is a front elevational view thereof;

FIG. 4 is a left side elevational view thereof;

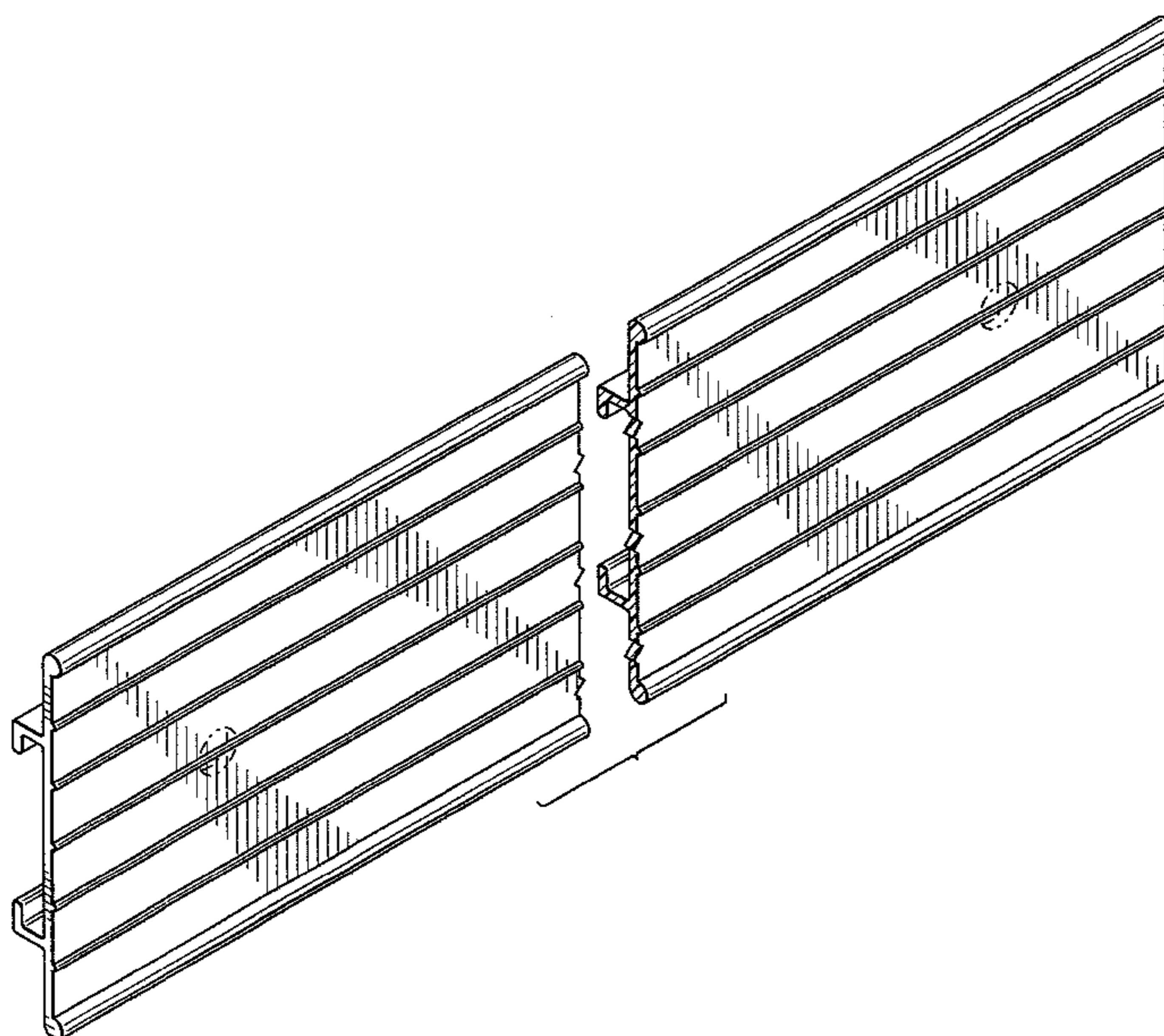
FIG. 5 is a rear elevational view thereof;

FIG. 6 is a right side elevational view thereof;

FIG. 7 is a bottom plan view thereof; and,

FIG. 8 is a top plan view thereof.

**1 Claim, 5 Drawing Sheets**



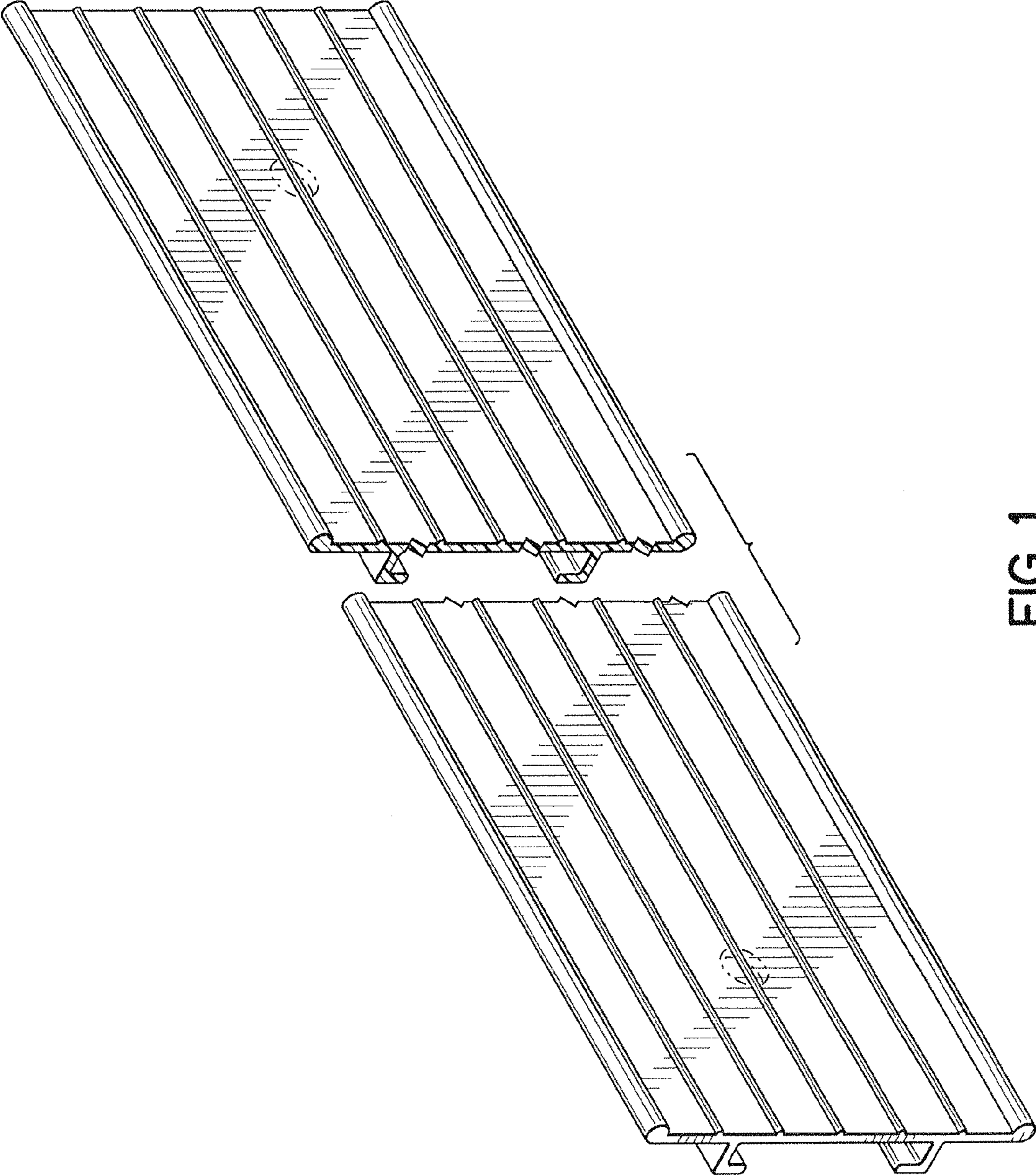


FIG. 1

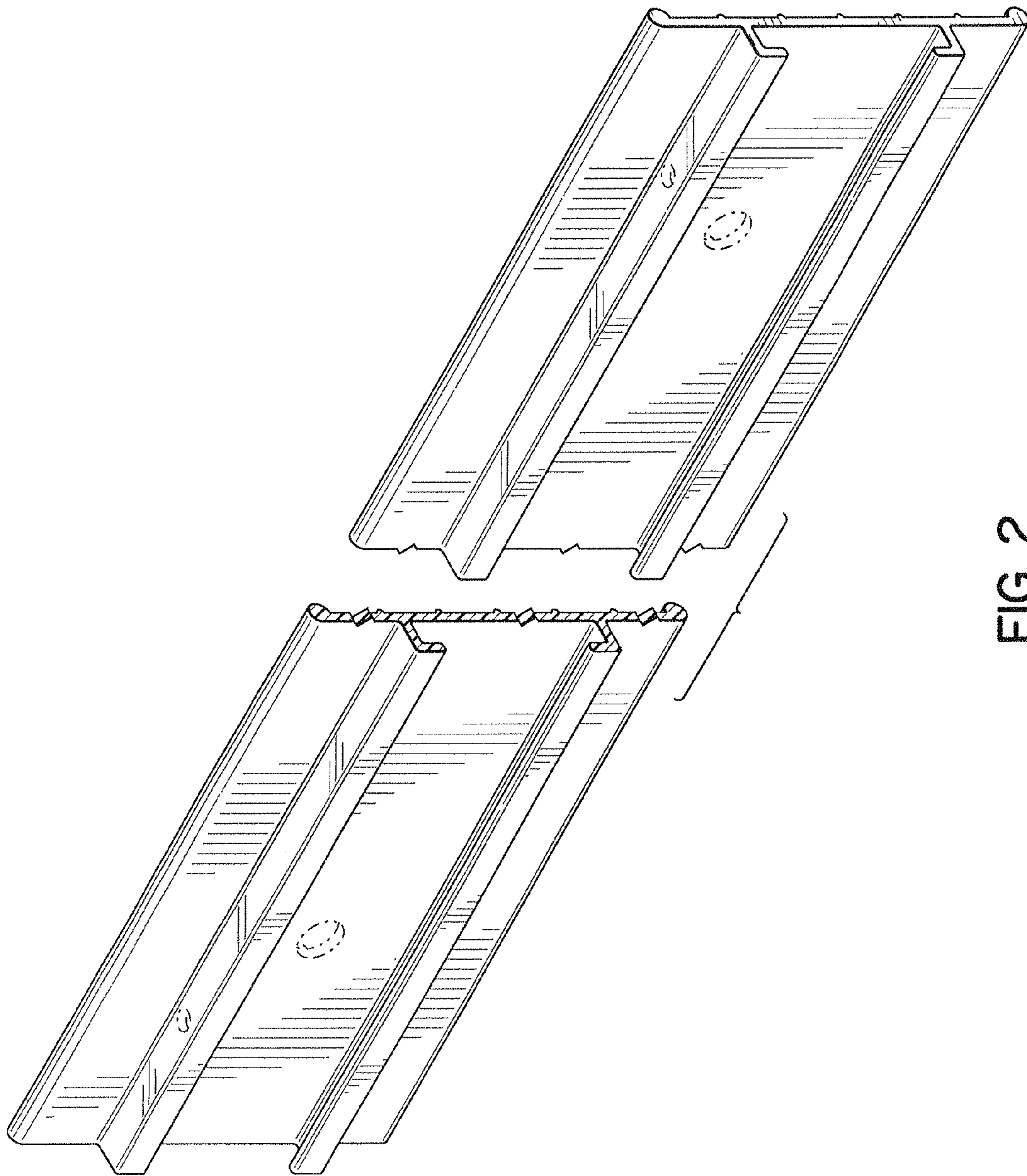


FIG. 2

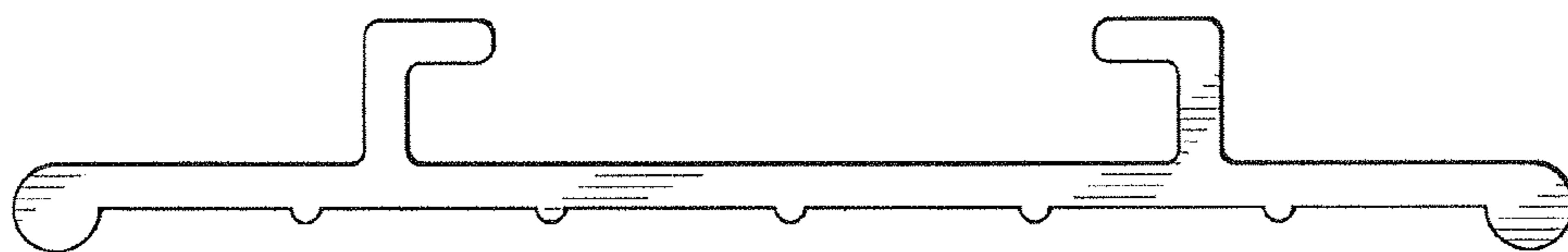


FIG. 4

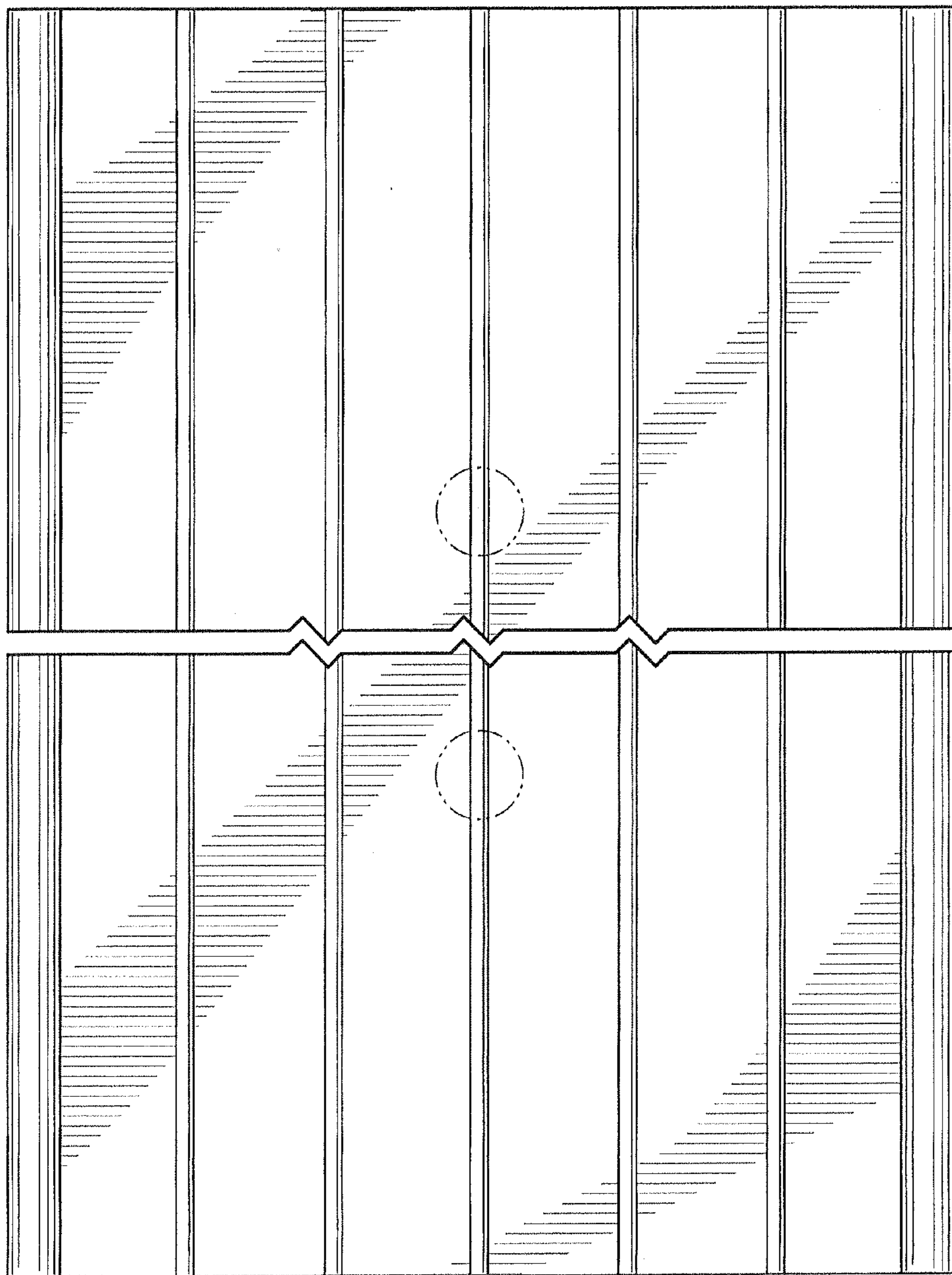


FIG. 3

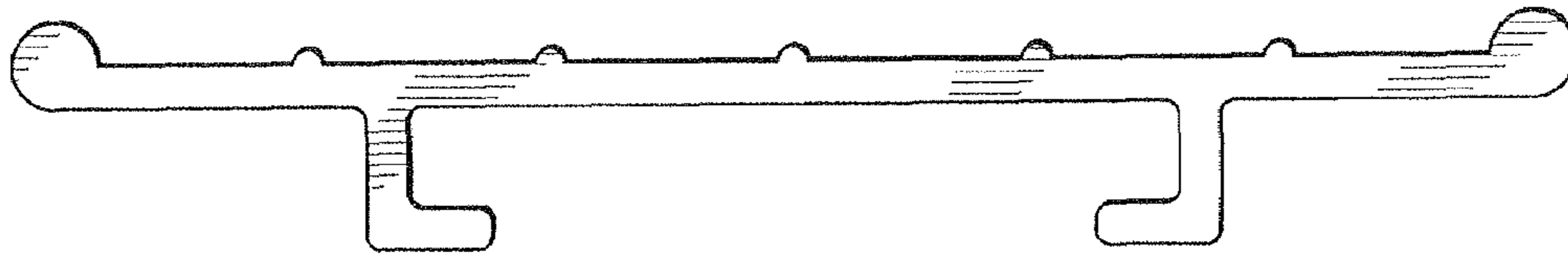


FIG. 6

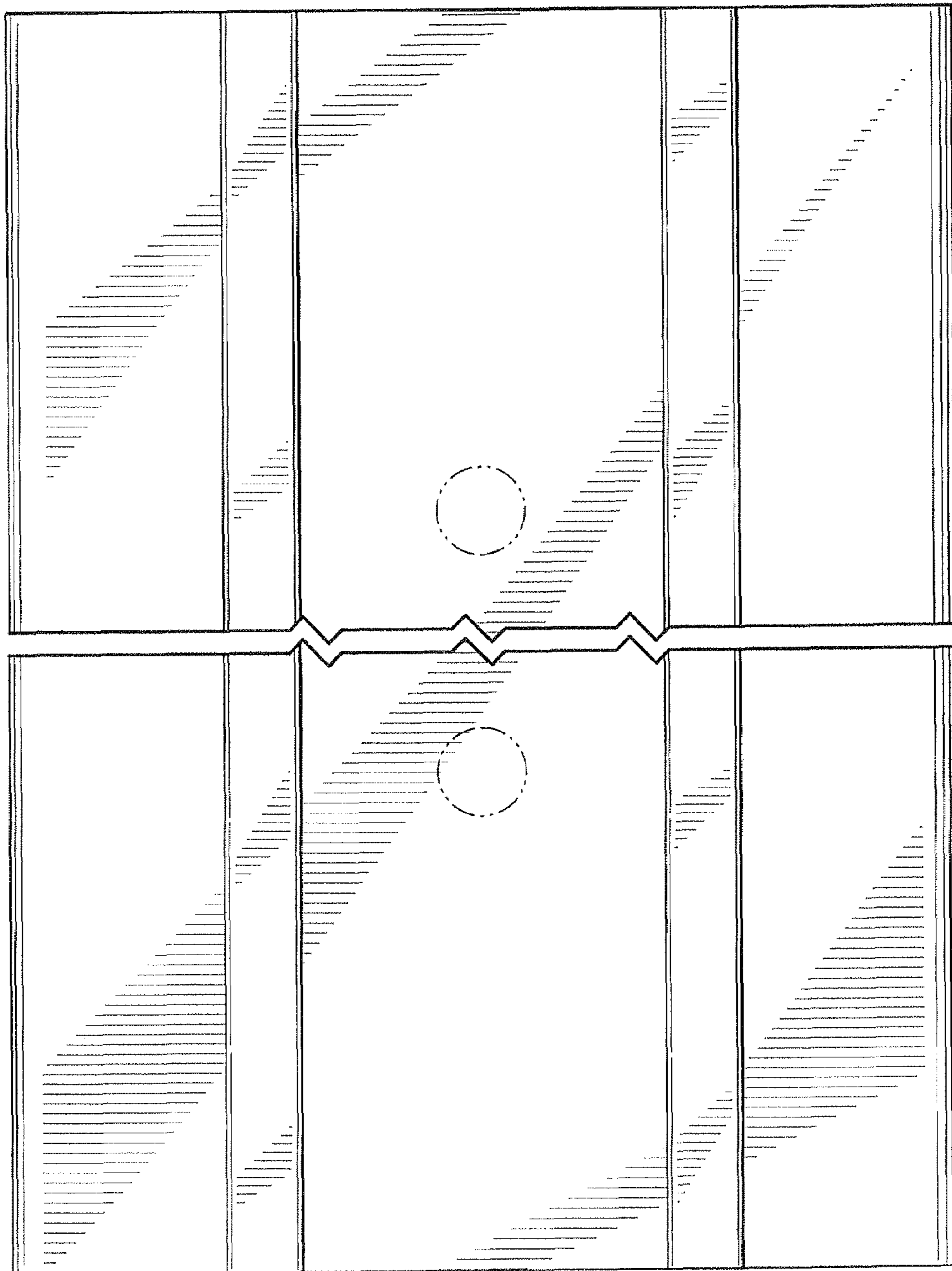


FIG. 5

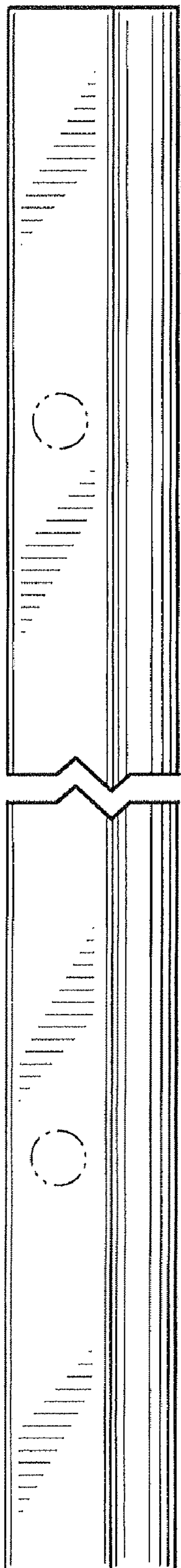


FIG. 7

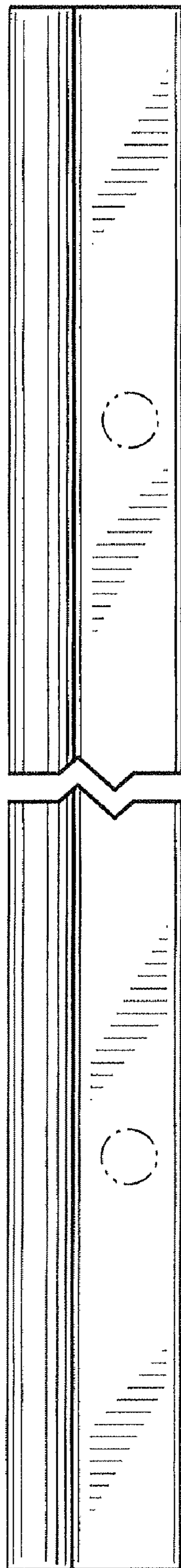


FIG. 8