

US00D606669S

(12) **United States Design Patent**  
**Giorgi et al.**

(10) **Patent No.:** **US D606,669 S**

(45) **Date of Patent:** **\*\* Dec. 22, 2009**

(54) **STEP LADDER**

(75) Inventors: **Gianluca Giorgi**, Monza (IT); **Maurilio Navoni**, Robecco Sul Naviglio (IT)

(73) Assignee: **MGM Giorgi S.p.A.**, S. Stefano Ticino (IT)

(\*\*) Term: **14 Years**

(21) Appl. No.: **29/311,002**

(22) Filed: **Dec. 5, 2008**

(51) **LOC (9) Cl.** ..... **25-04**

(52) **U.S. Cl.** ..... **D25/64**

(58) **Field of Classification Search** ..... D25/62,  
D25/64; 182/194, 208, 141; 52/109  
See application file for complete search history.

(56) **References Cited**

**U.S. PATENT DOCUMENTS**

3,435,570	A *	4/1969	Berry	.....	52/109
4,157,743	A *	6/1979	Masuda et al.	.....	182/141
6,386,320	B1 *	5/2002	Clavel	.....	182/165
D458,385	S *	6/2002	Rosko	.....	D25/64

\* cited by examiner

*Primary Examiner*—Doris Clark  
(74) *Attorney, Agent, or Firm*—Modiano & Associati; Albert Josif; Daniel J. O’Byrne

(57) **CLAIM**

The ornamental design for the “step ladder”, as shown and described.

**DESCRIPTION**

FIG. 1 is a perspective view of the step ladder in the operative configuration, showing our new design;

FIG. 2 is a front view thereof;

FIG. 3 is a rear view thereof;

FIG. 4 is a left side view thereof;

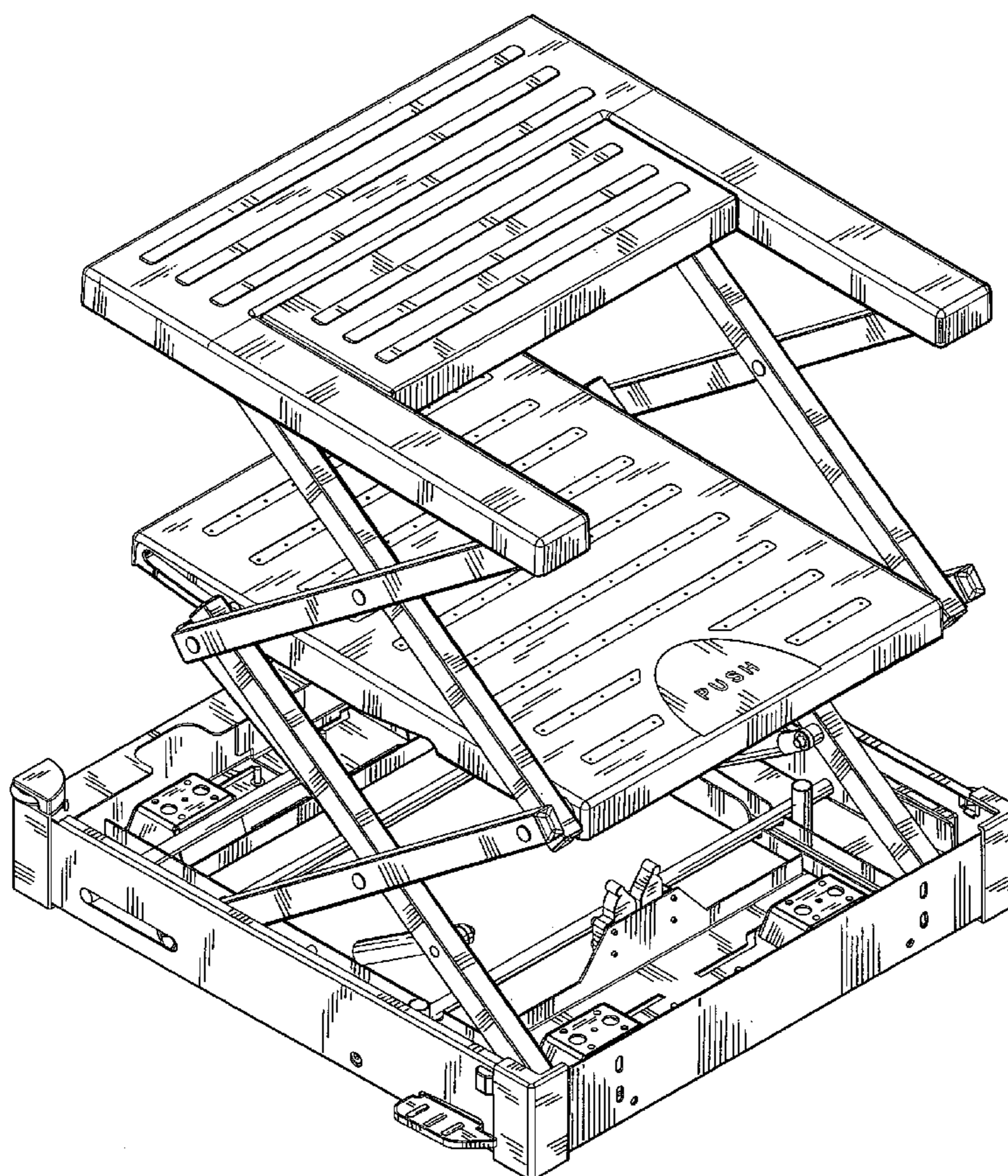
FIG. 5 is a right side view thereof;

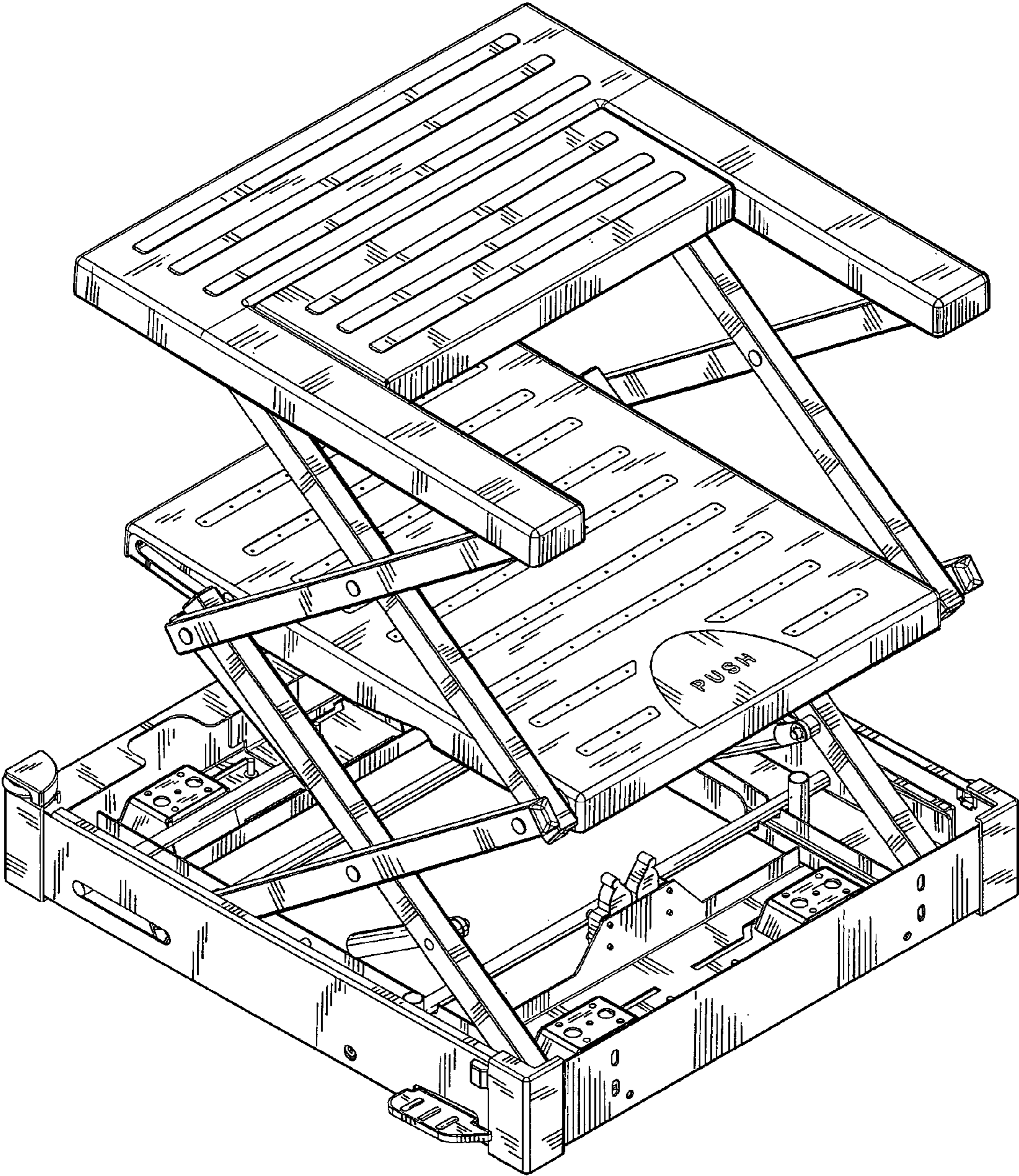
FIG. 6 is a top plan view thereof;

FIG. 7 is a bottom plan view thereof; and,

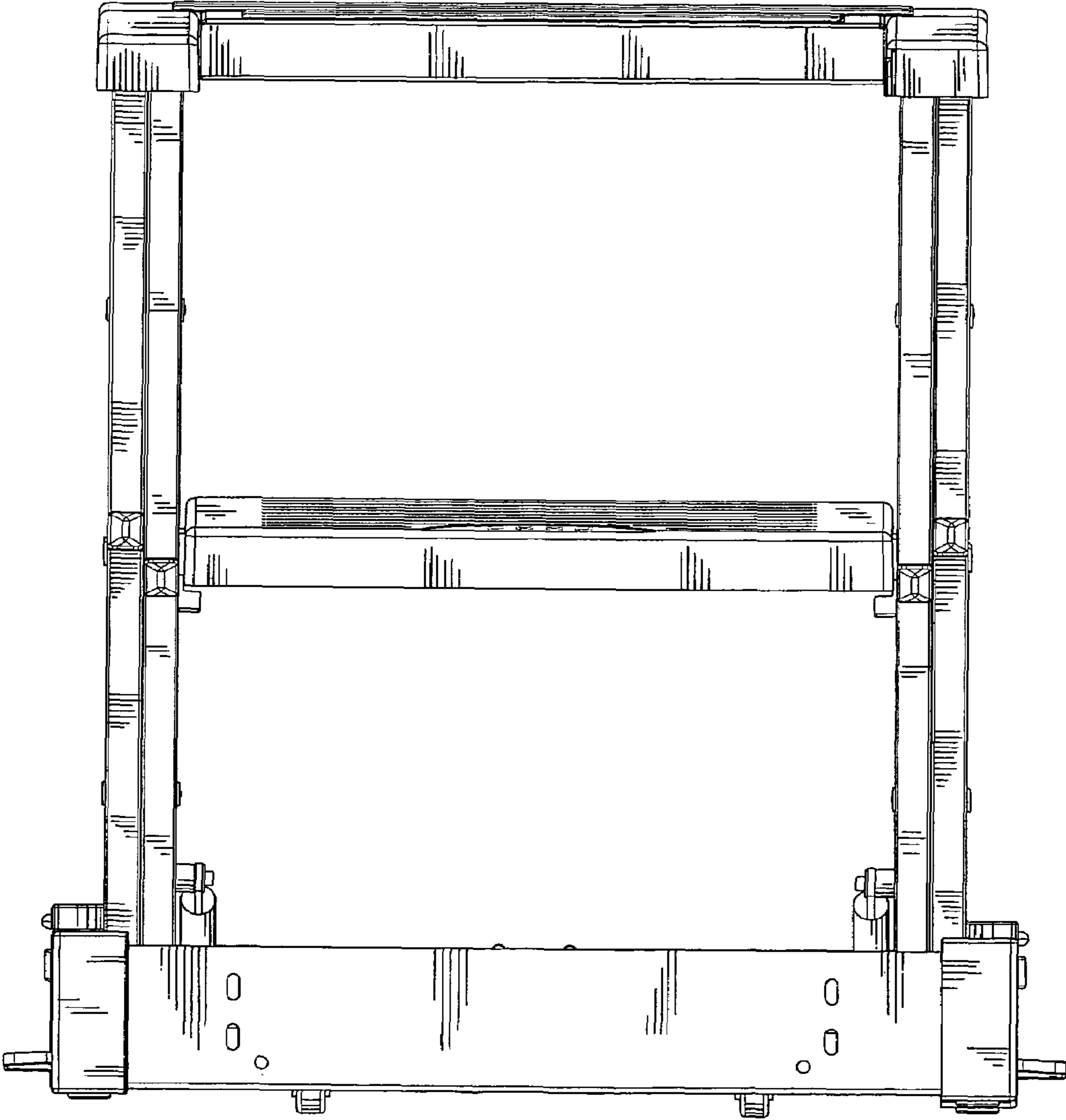
FIG. 8 is a perspective view thereof in the folded condition.

**1 Claim, 8 Drawing Sheets**

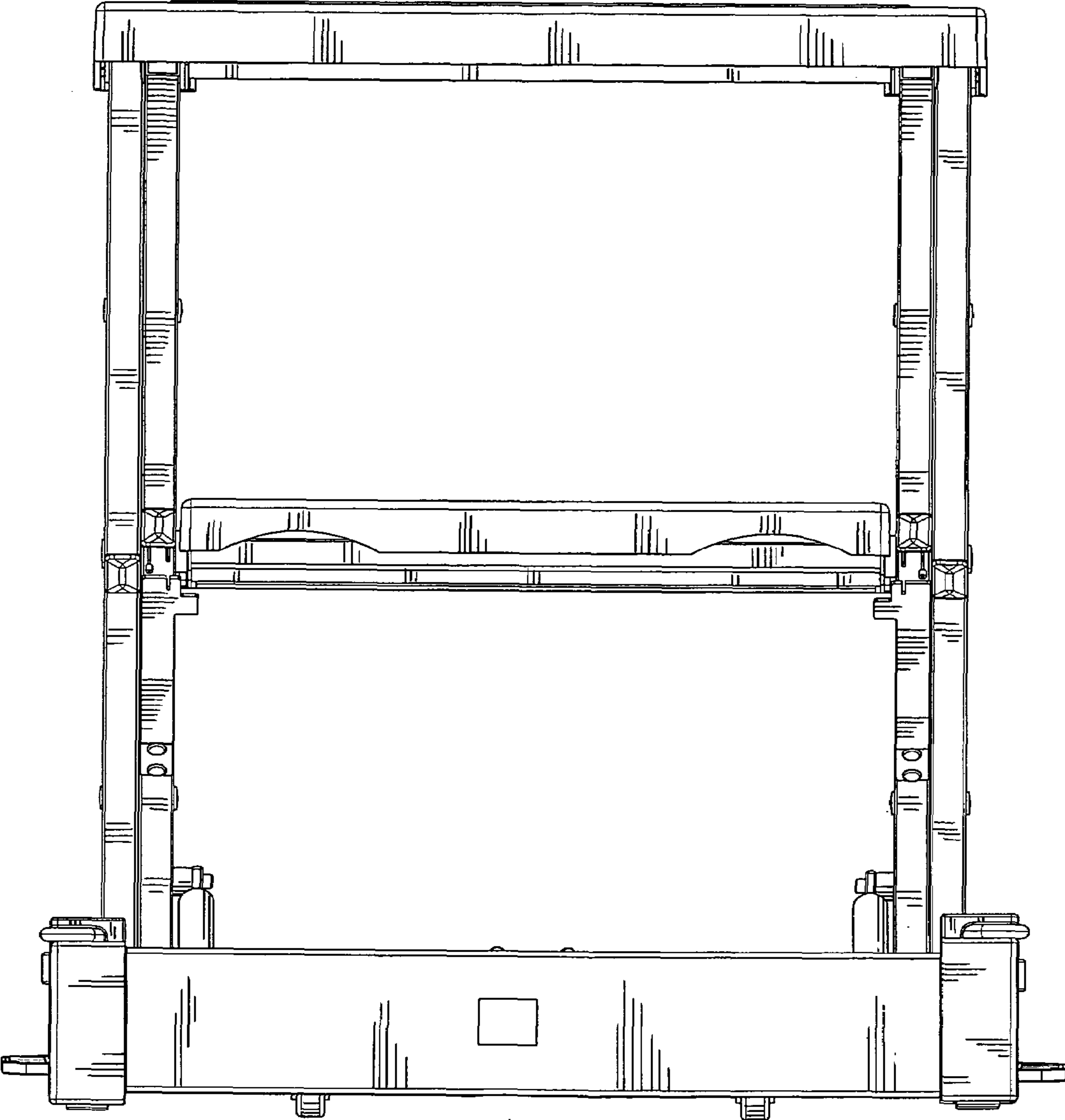




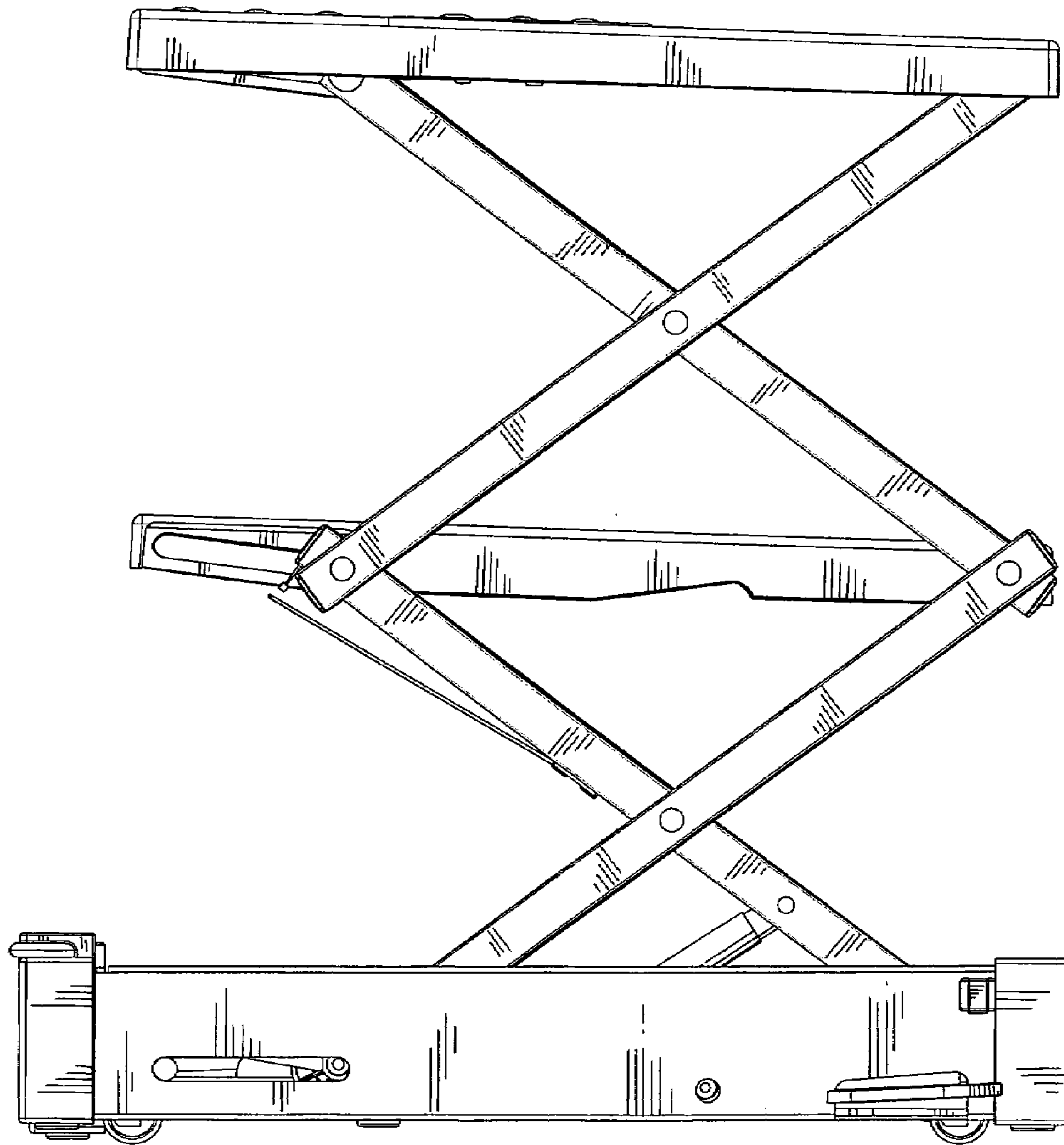
*Fig. 1*



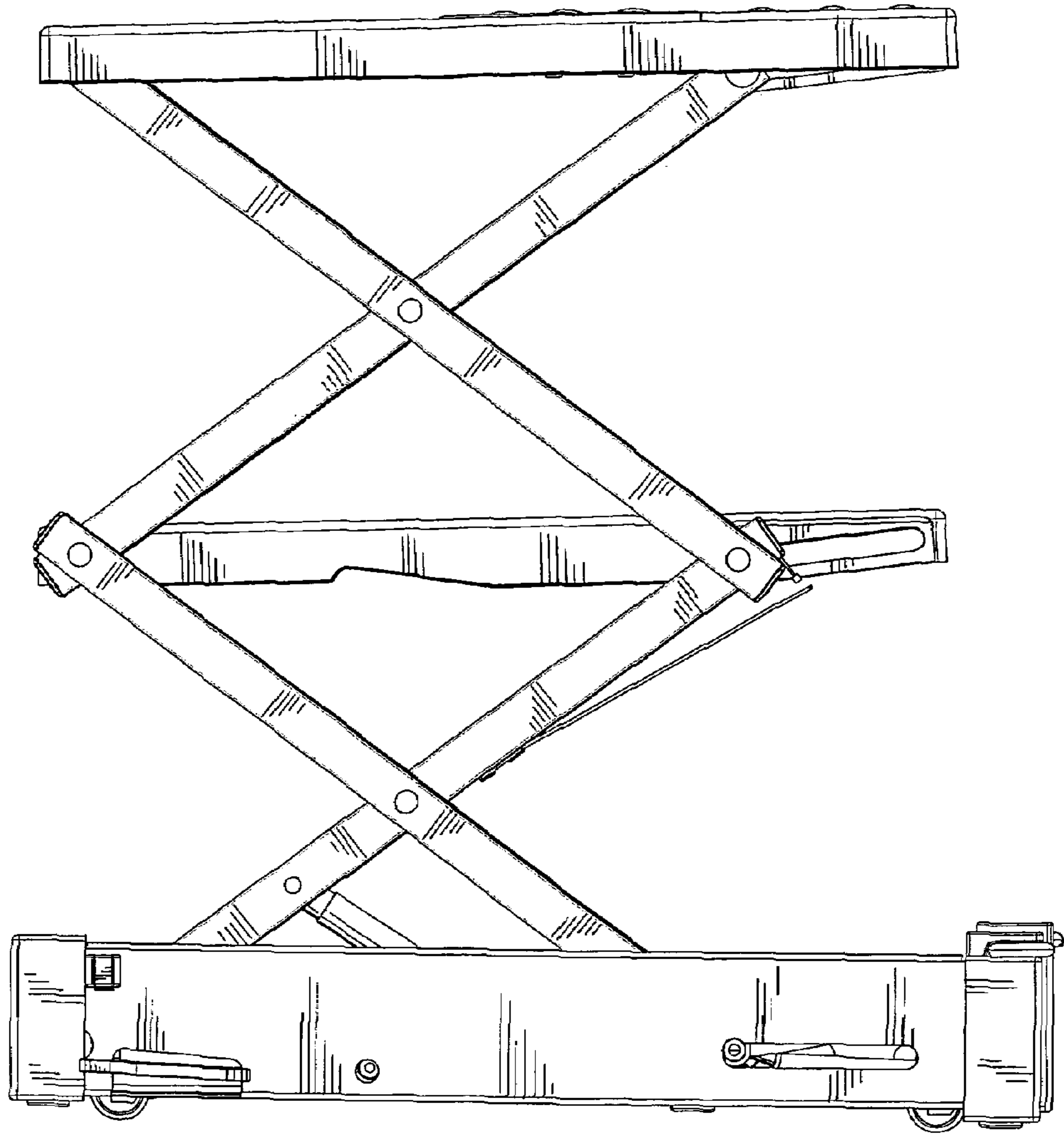
*Fig. 2*



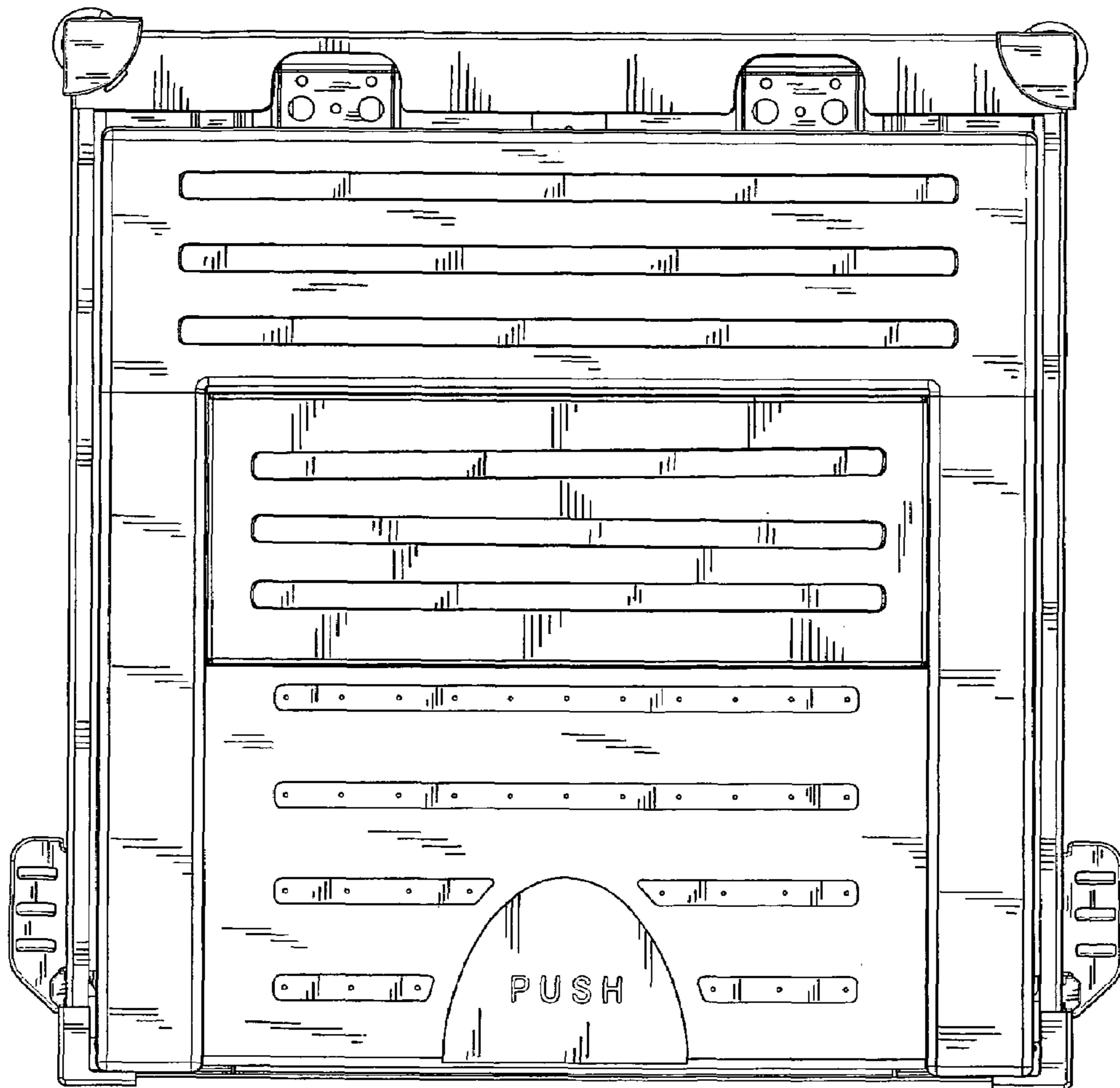
*Fig. 3*



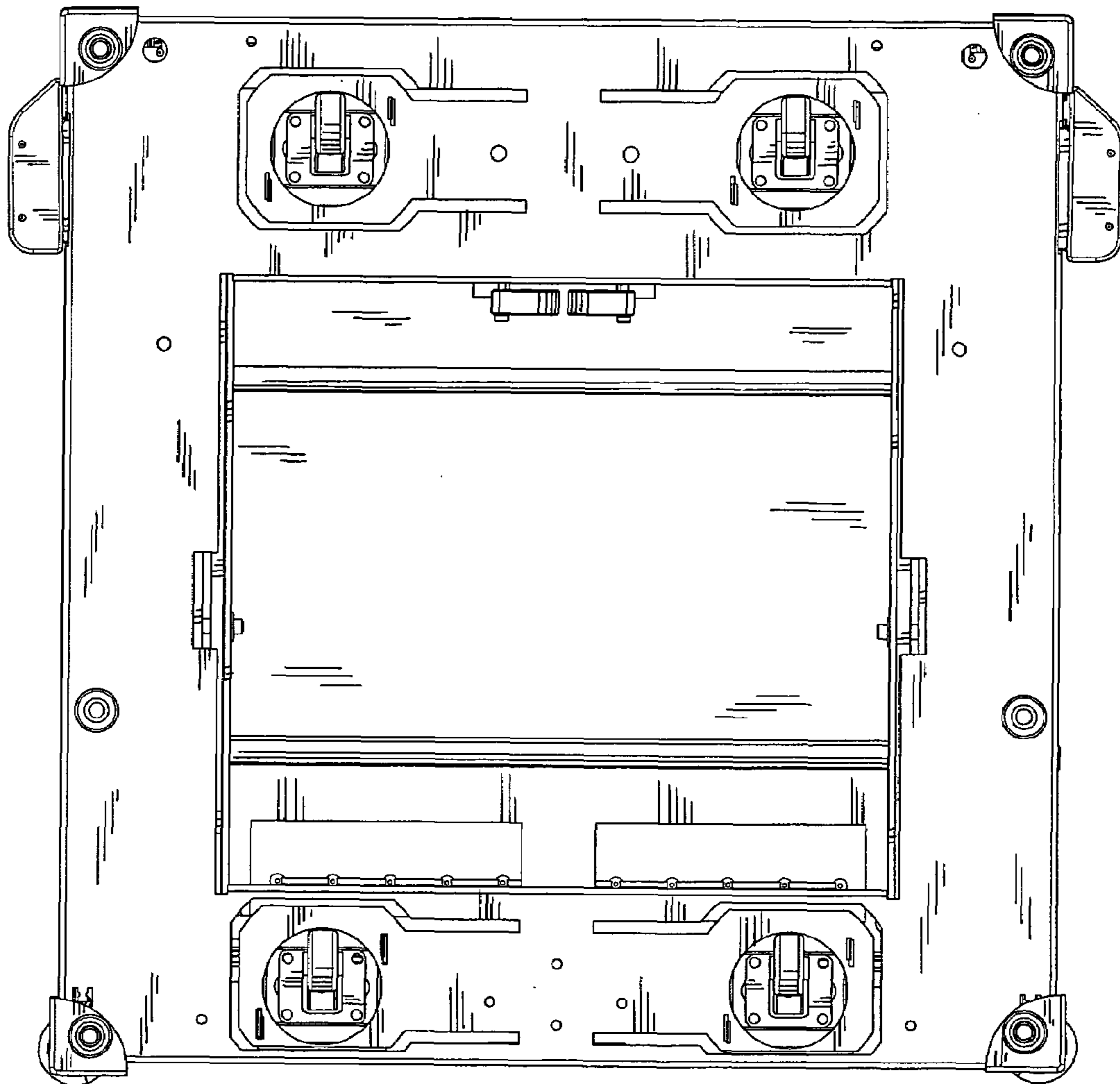
*Fig. 4*



*Fig. 5*

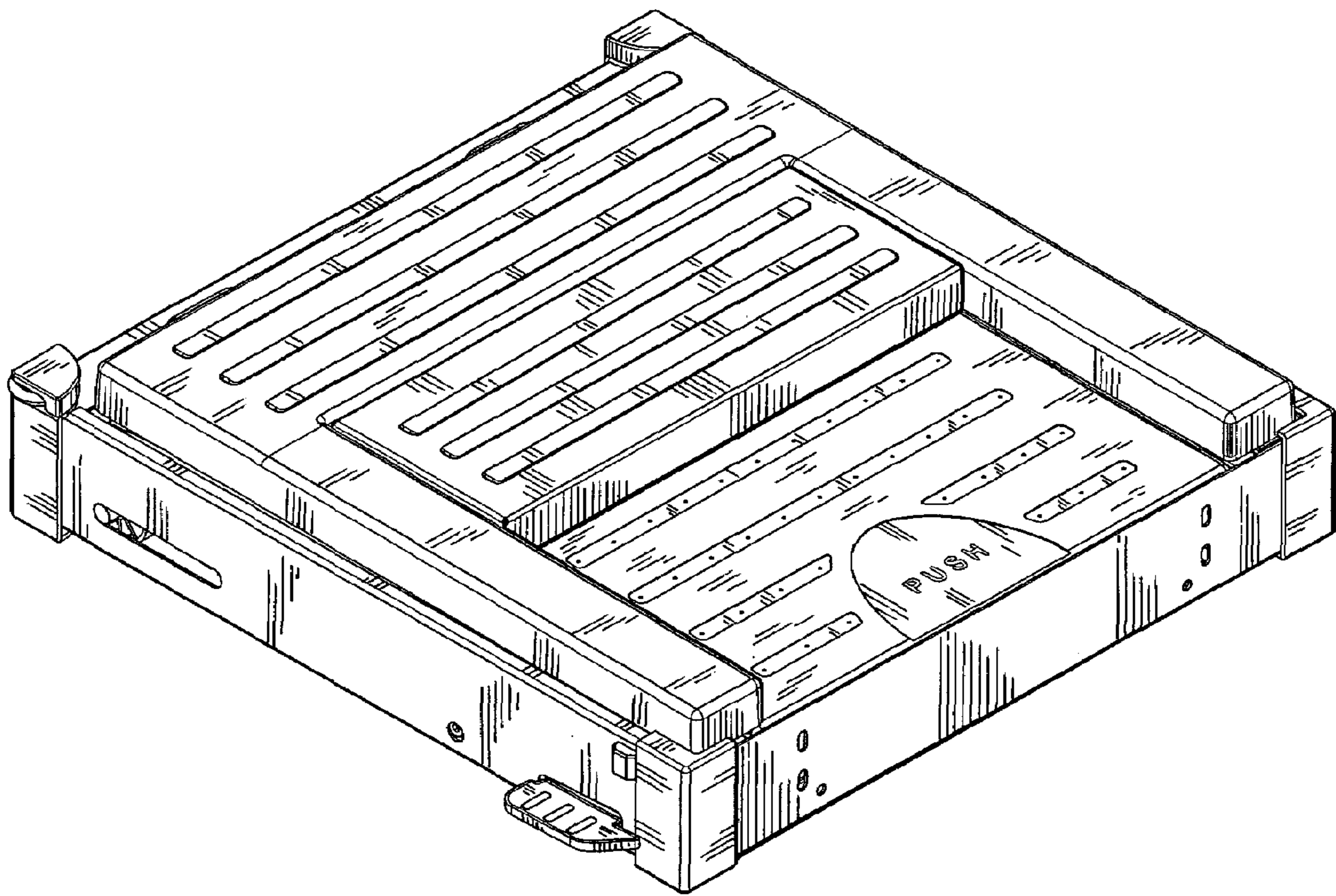


*Fig. 6*



*Fig. 7*





*Fig. 8*