

US00D606665S

(12) **United States Design Patent**
Ahearn

(10) **Patent No.:** **US D606,665 S**

(45) **Date of Patent:** **** Dec. 22, 2009**

(54) **QUICK CONNECT FOR UMBILICAL**

(76) **Inventor:** **David J. Ahearn**, 10 High Meadow Rd.,
Little Compton, RI (US) 02837

(**) **Term:** **14 Years**

(21) **Appl. No.:** **29/323,384**

(22) **Filed:** **Aug. 25, 2008**

(51) **LOC (9) Cl.** **24-02**

(52) **U.S. Cl.** **D24/232; D24/177**

(58) **Field of Classification Search** D24/177,
D24/133, 232-234, 176, 140; D23/291,
D23/292; 433/92, 97, 25, 101; 4/263; D7/359
See application file for complete search history.

(56) **References Cited**

U.S. PATENT DOCUMENTS

1,351,285	A *	8/1920	Chess	D7/359
3,530,513	A *	9/1970	Maurer et al.	433/101
4,185,384	A *	1/1980	Lustig et al.	433/70
5,022,858	A *	6/1991	Castellini	433/97
D360,265	S *	7/1995	Thomas	D24/232
D360,685	S *	7/1995	Olsson et al.	D24/112
D399,008	S *	9/1998	Thomas	D24/232
D444,233	S *	6/2001	Bohanan	D24/140

D567,961 S * 4/2008 Yajima D24/232

* cited by examiner

Primary Examiner—Charles A Rademaker

(74) *Attorney, Agent, or Firm*—Barlow, Josephs & Holmes,
Ltd.

(57) **CLAIM**

The ornamental design for a quick connect for umbilical, as shown and described.

DESCRIPTION

FIG. 1 is a front perspective view of the quick connect for umbilical showing our new design taken from the top;

FIG. 2 is a front perspective view thereof taken from the bottom;

FIG. 3 is a perspective view thereof, taken from the left side;

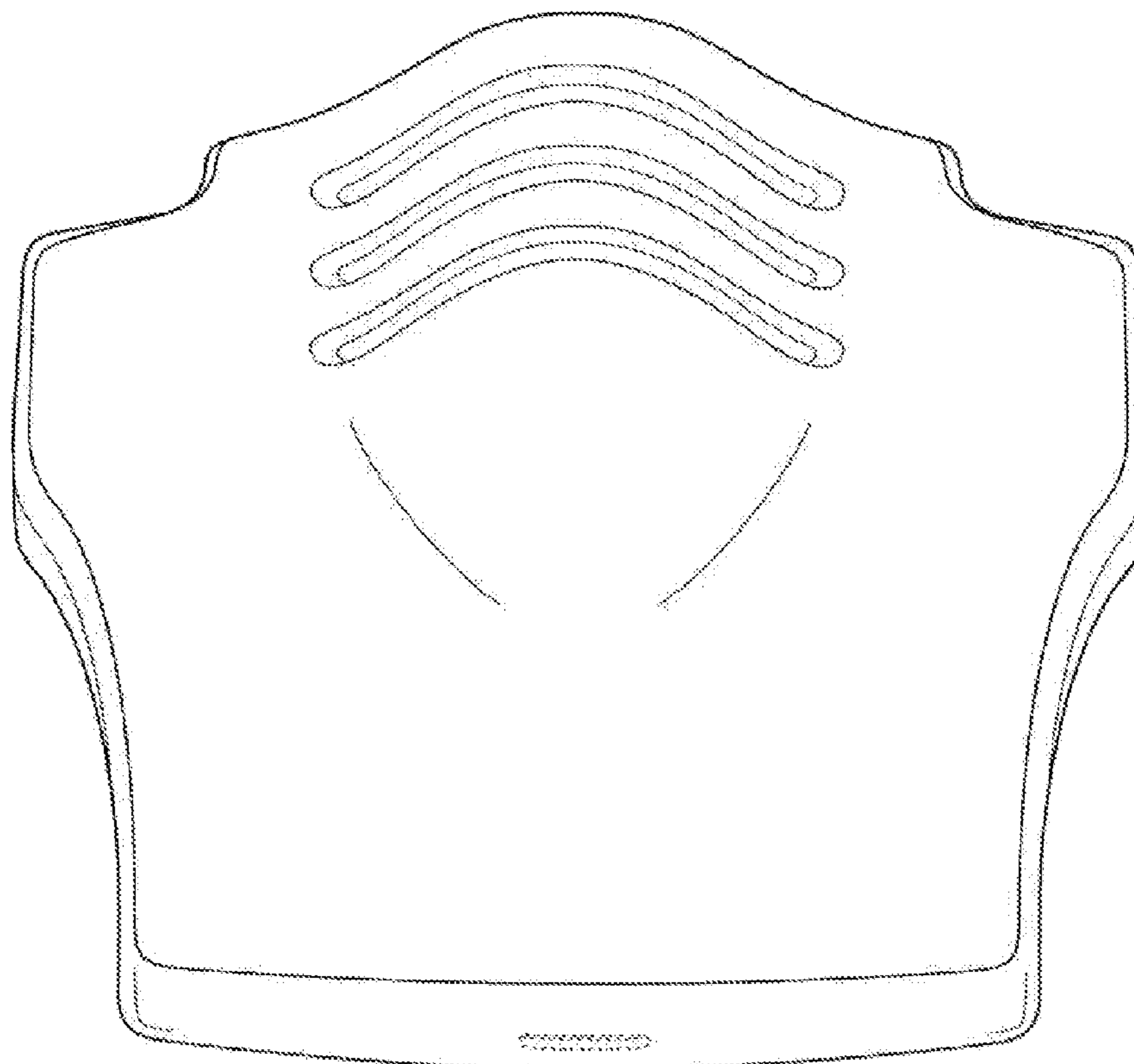
FIG. 4 is a rear perspective view thereof;

FIG. 5 is a rear perspective view thereof;

FIG. 6 is a front perspective view thereof taken from the top; and,

FIG. 7 is a front perspective view thereof the broken lines are included to suggest structural environment and form no part of the claim.

1 Claim, 7 Drawing Sheets



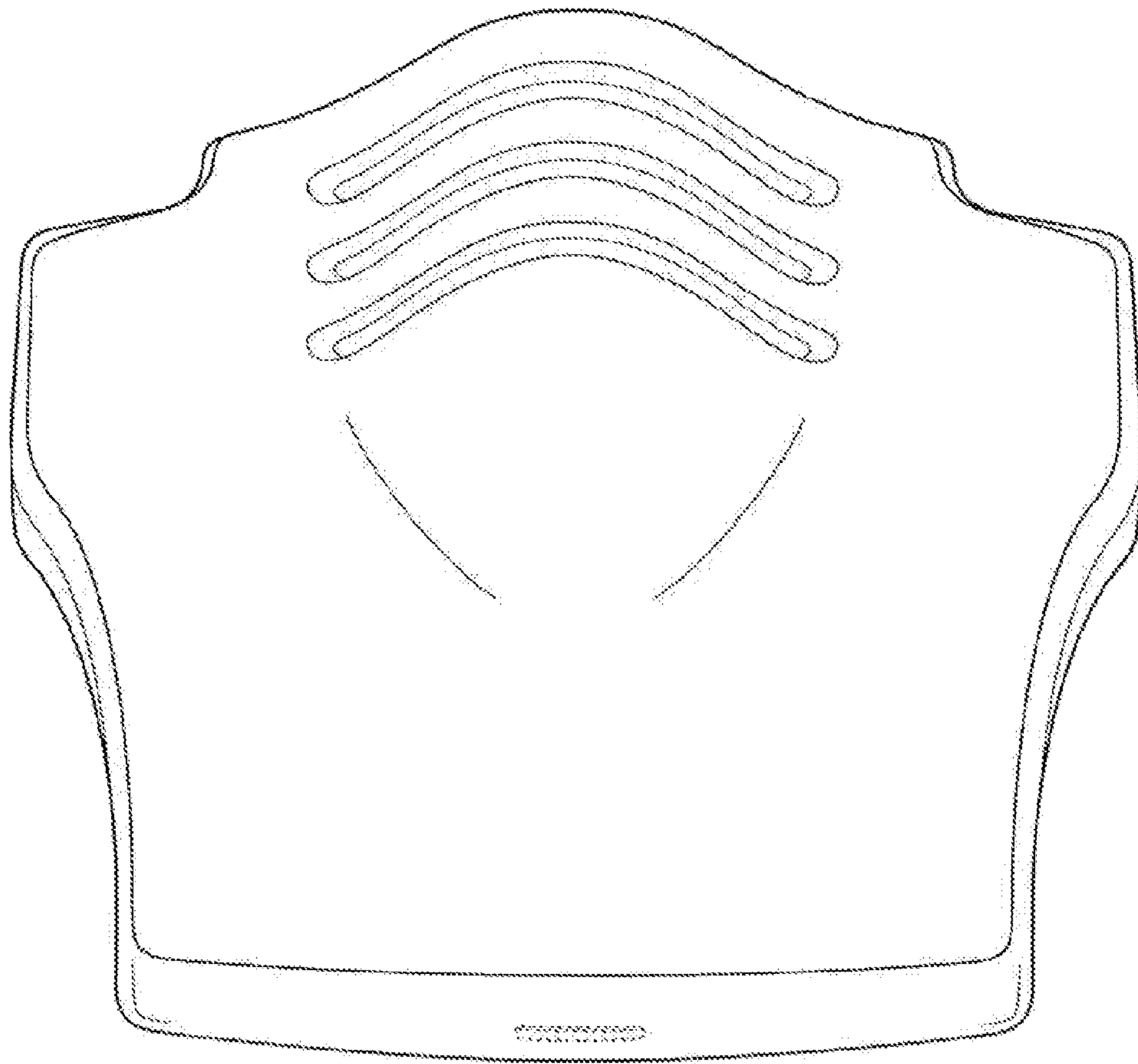


Fig. 1

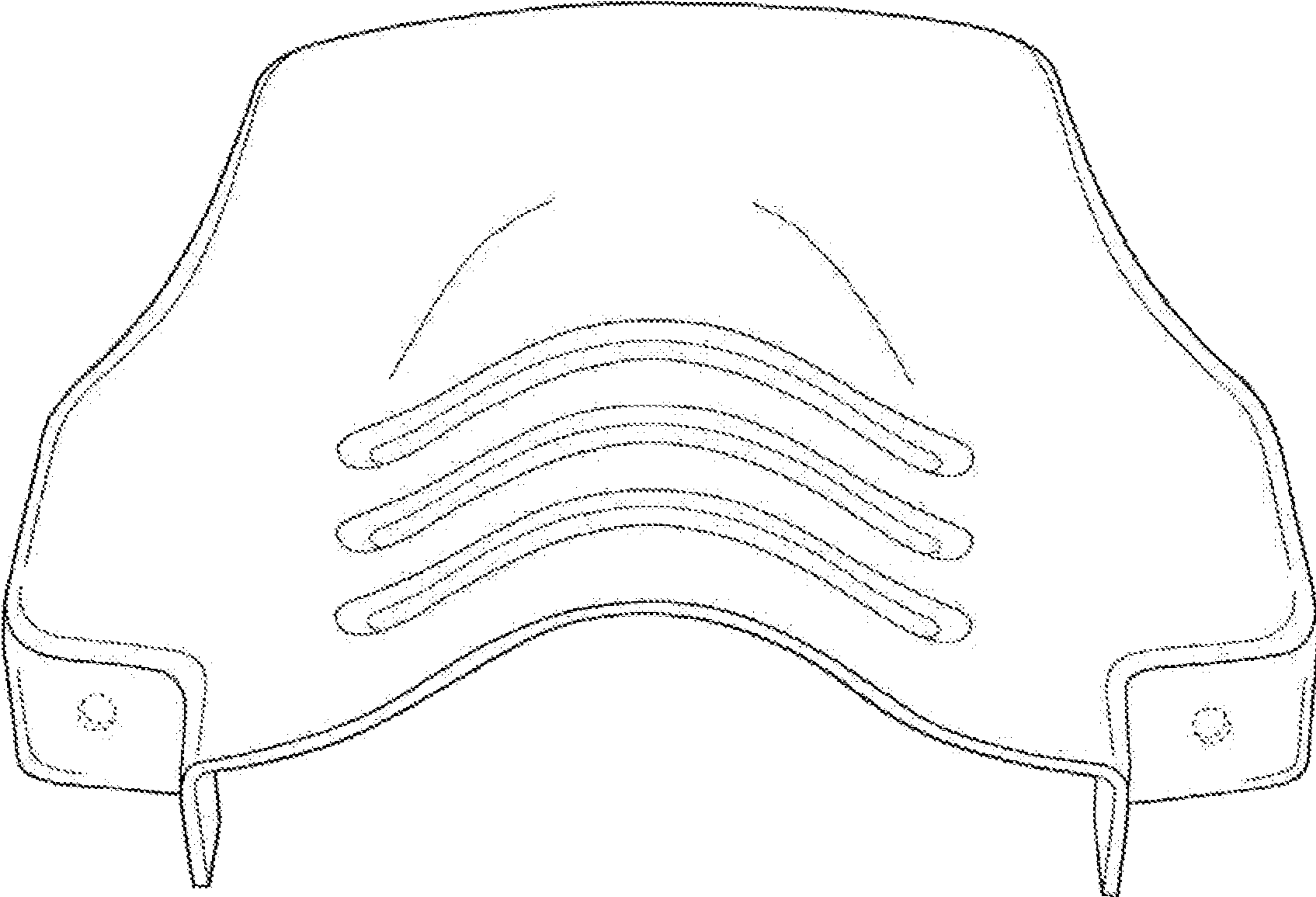


Fig. 2

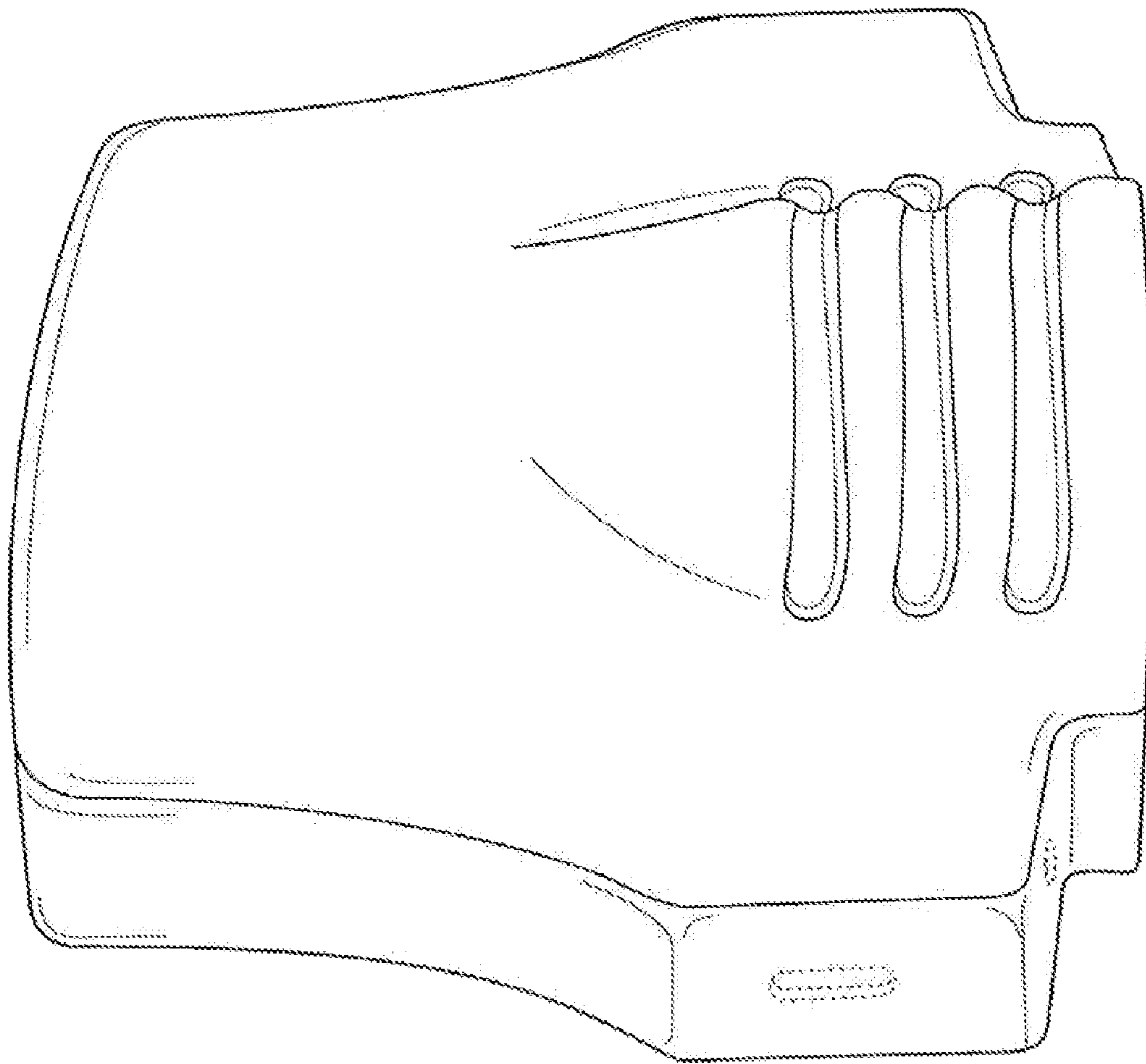


Fig. 3

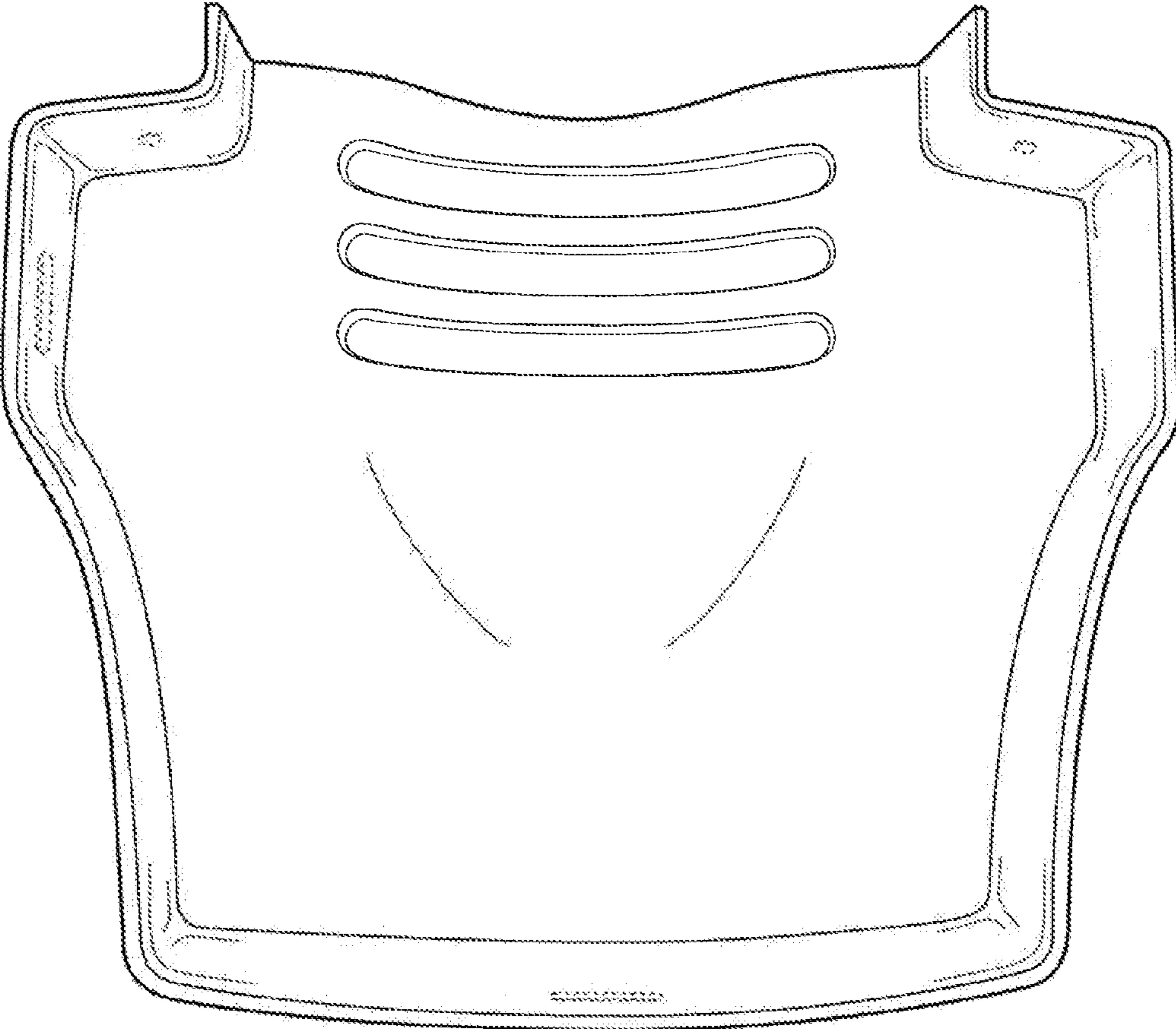


Fig. 4

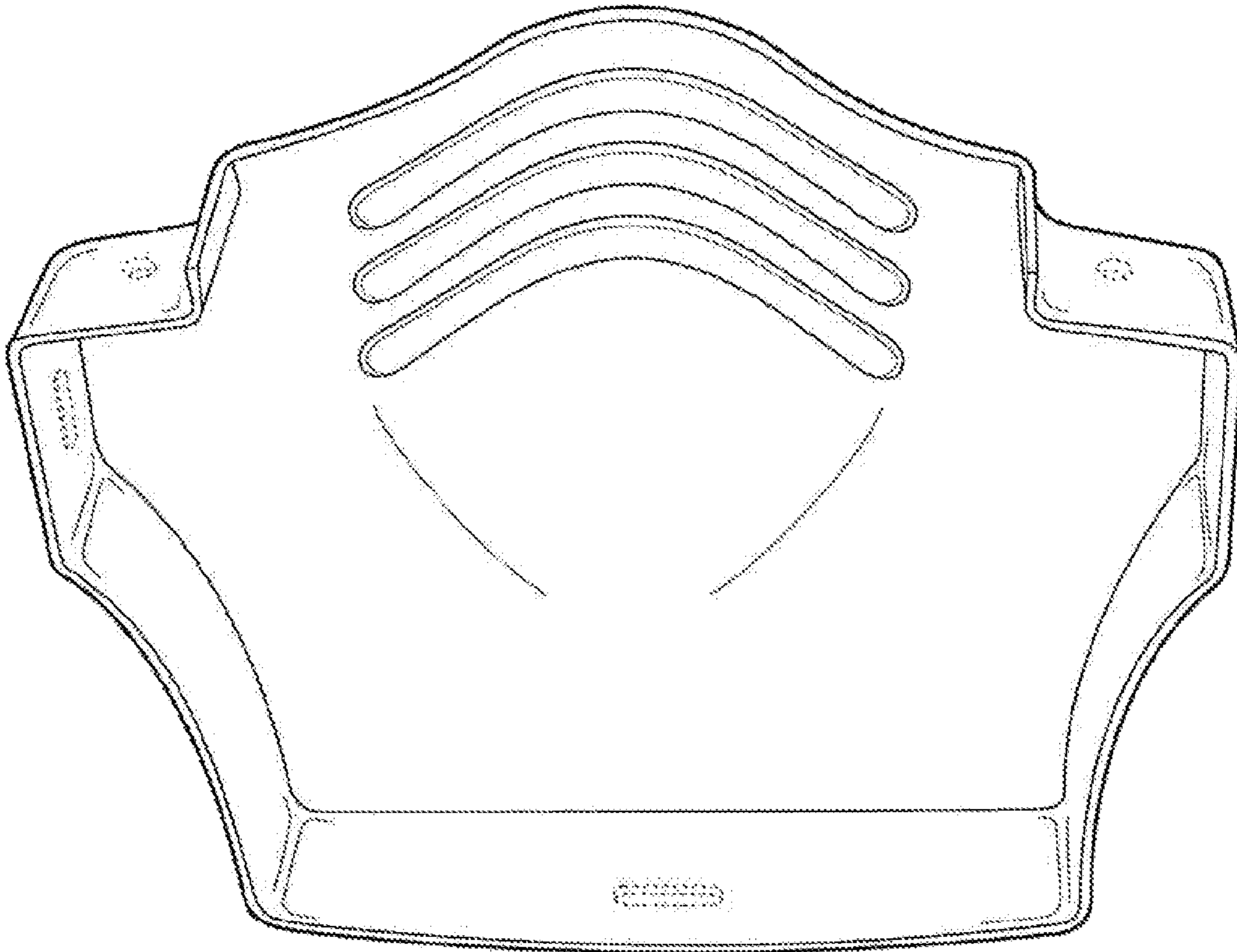


Fig. 5

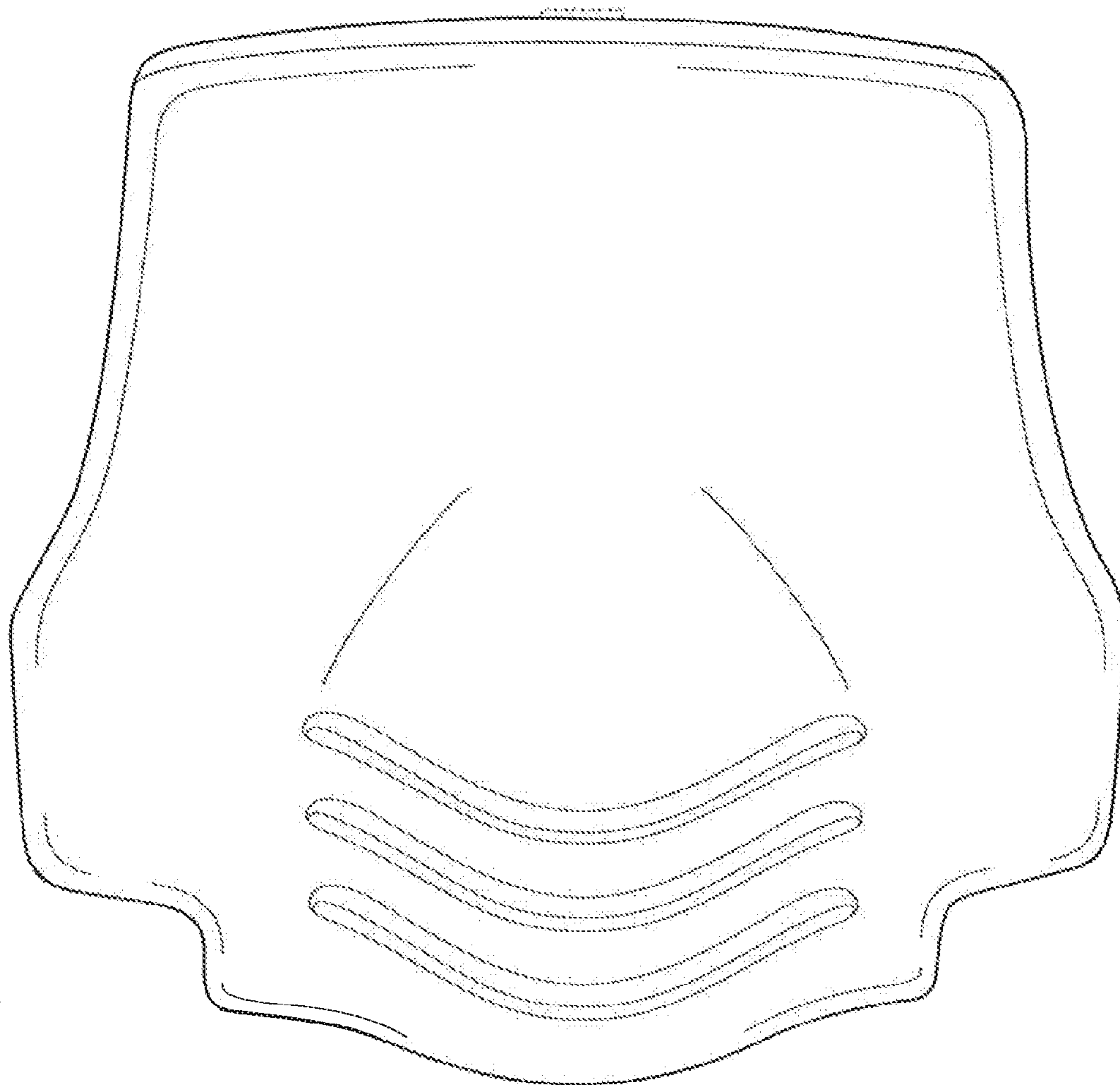


Fig. 6

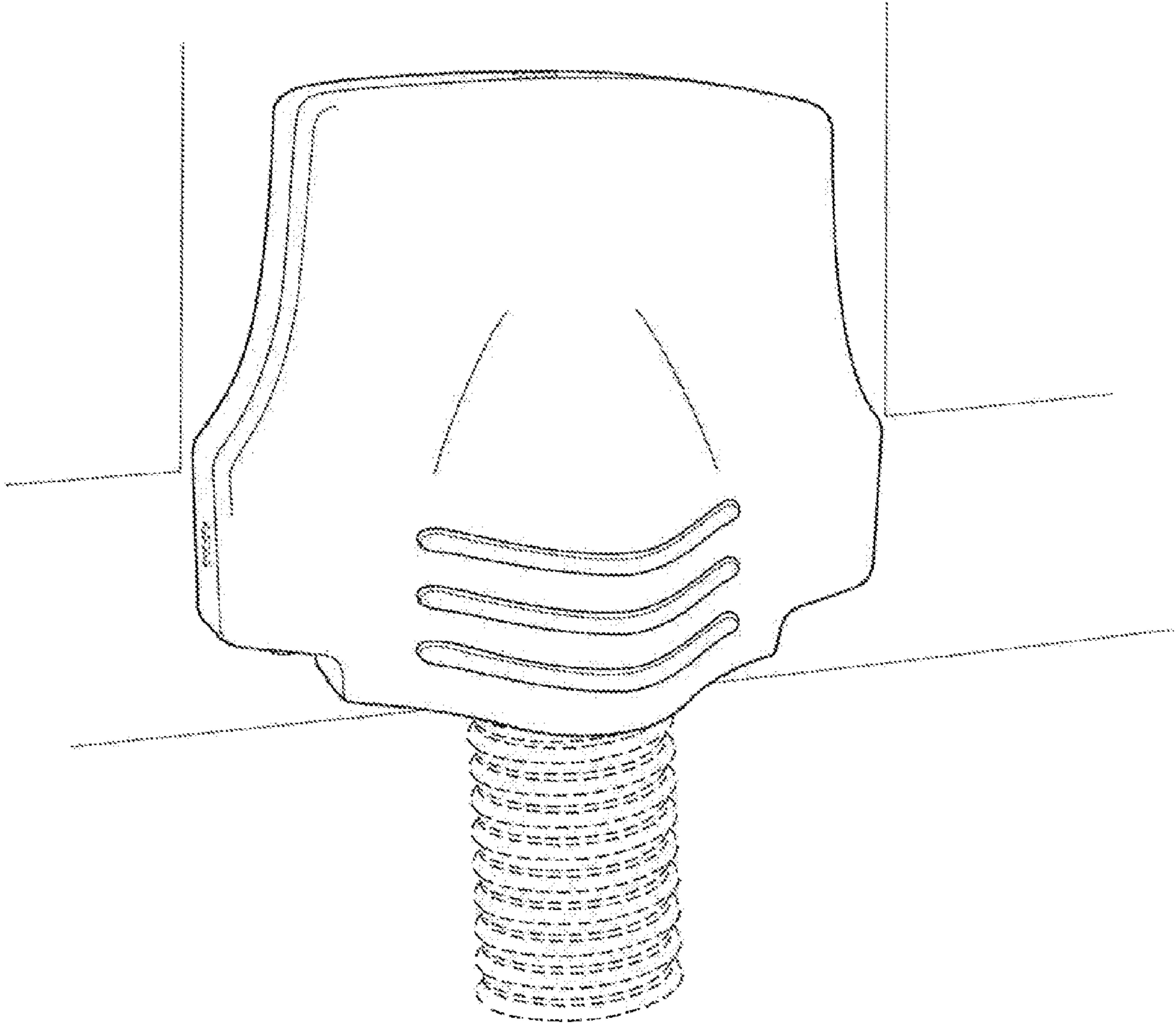


Fig. 7