



US00D606663S

(12) **United States Design Patent**
Tien et al.

(10) **Patent No.:** **US D606,663 S**
(45) **Date of Patent:** **** Dec. 22, 2009**

(54) **MAGNETIC STIRRER**

(76) Inventors: **Linsheng W. Tien**, 8 Arbusto, Irvine, CA (US) 92606; **Nick J. Manesis**, 2444 Camino de Jugar, San Ramon, CA (US) 94583; **Gene H. Huang**, 5131 Chateau Cir., Irvine, CA (US) 92604

(**) Term: **14 Years**

(21) Appl. No.: **29/338,891**

(22) Filed: **Jun. 19, 2009**

Related U.S. Application Data

(62) Division of application No. 29/322,607, filed on Aug. 7, 2008, now Pat. No. Des. 596,309.

(51) **LOC (9) Cl.** **28-03**

(52) **U.S. Cl.** **D24/220**

(58) **Field of Classification Search** D24/216–226, D24/121; 422/99, 102; 366/243, 244, 247, 366/249, 251, 273, 274, 276–279
See application file for complete search history.

(56) **References Cited**

U.S. PATENT DOCUMENTS

- D126,851 S * 4/1941 Goldstein D24/219
- 3,850,580 A * 11/1974 Moore et al. 422/99
- D303,570 S * 9/1989 Eberle D24/219
- D343,904 S * 2/1994 Silver et al. D24/219

- D358,659 S * 5/1995 Rohrabacher D24/220
- 5,934,179 A * 8/1999 Schmid et al. 99/337
- D437,418 S * 2/2001 Suzuki et al. D24/219
- D558,888 S * 1/2008 Ware D24/216
- D561,345 S * 2/2008 Flick D24/220
- D596,309 S * 7/2009 Tien et al. D24/220

* cited by examiner

Primary Examiner—Caron Veynar
Assistant Examiner—Kelley A Donnelly
(74) *Attorney, Agent, or Firm*—WPAT, P.C.; Anthony King

(57) **CLAIM**

The ornamental design for a magnetic stirrer, as shown and described.

DESCRIPTION

FIG. 1 is a top and side perspective view of a magnetic stirrer of the present invention.

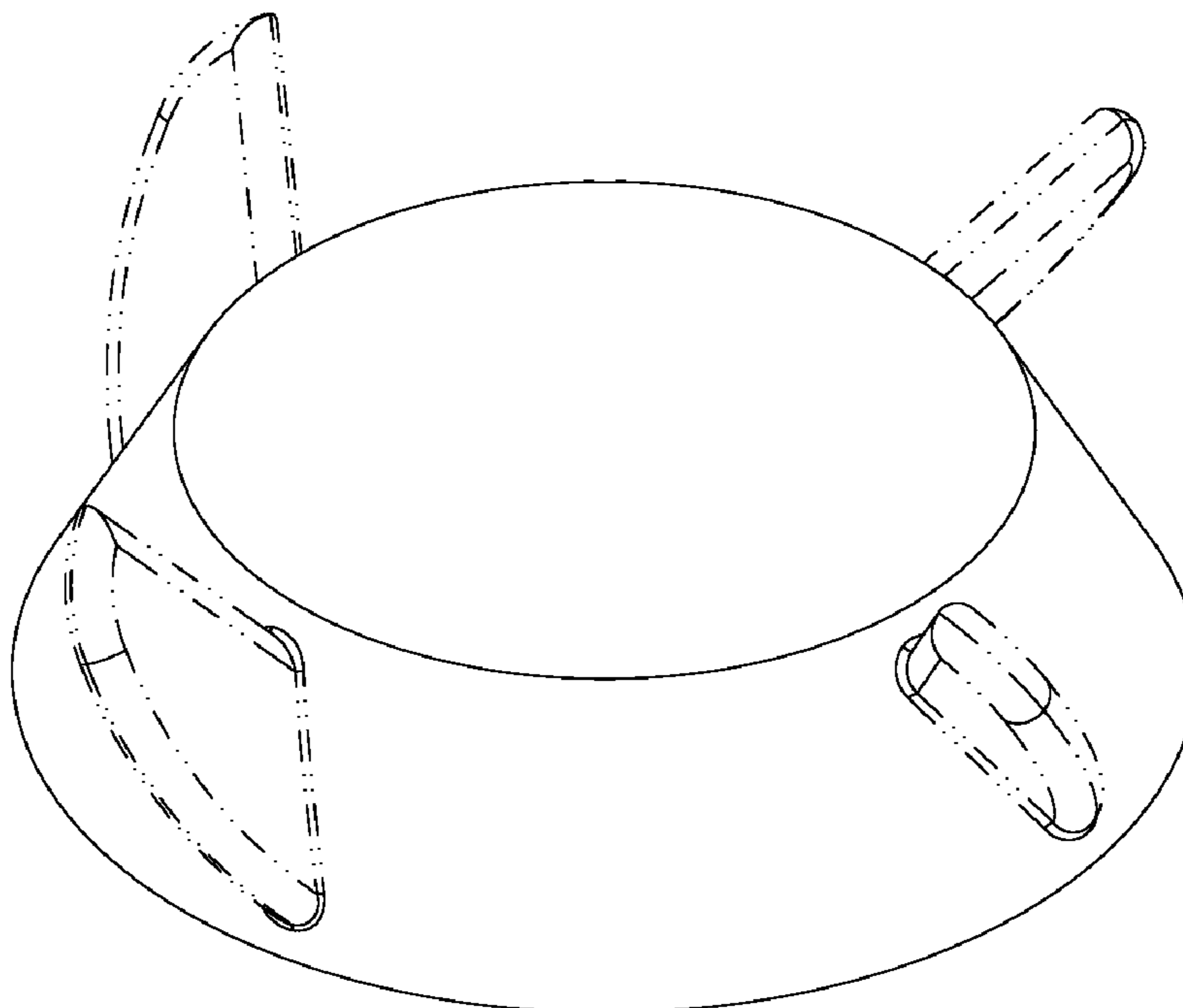
FIG. 2 is a side elevational view of the magnetic stirrer of FIG. 1;

FIG. 3 is a top elevational view of the magnetic stirrer of FIG. 1; and,

FIG. 4 is a bottom elevational view of the magnetic stirrer of FIG. 1.

The broken lines are for environmental purposes only and form no part of the claimed design.

1 Claim, 2 Drawing Sheets



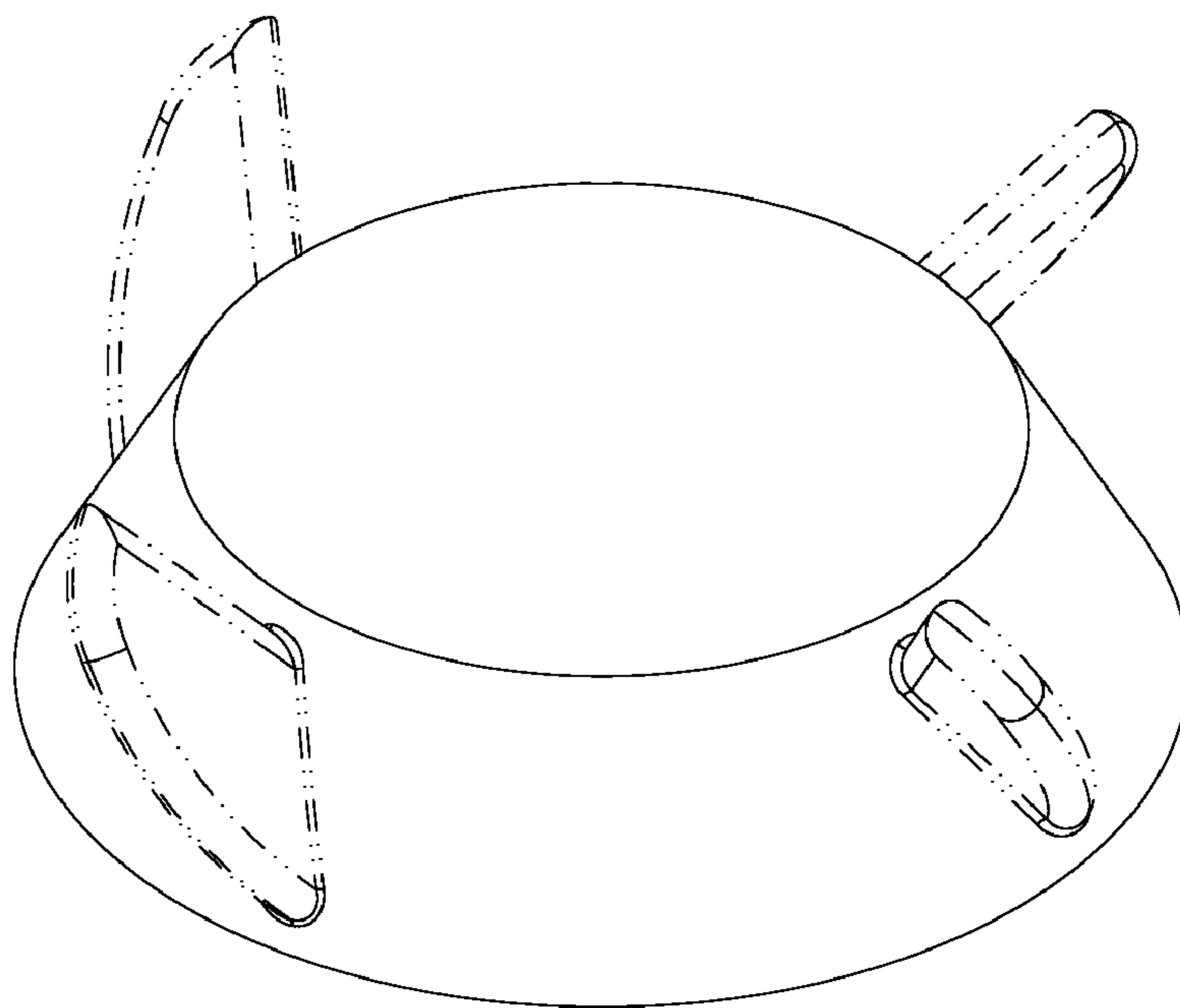


Fig. 1

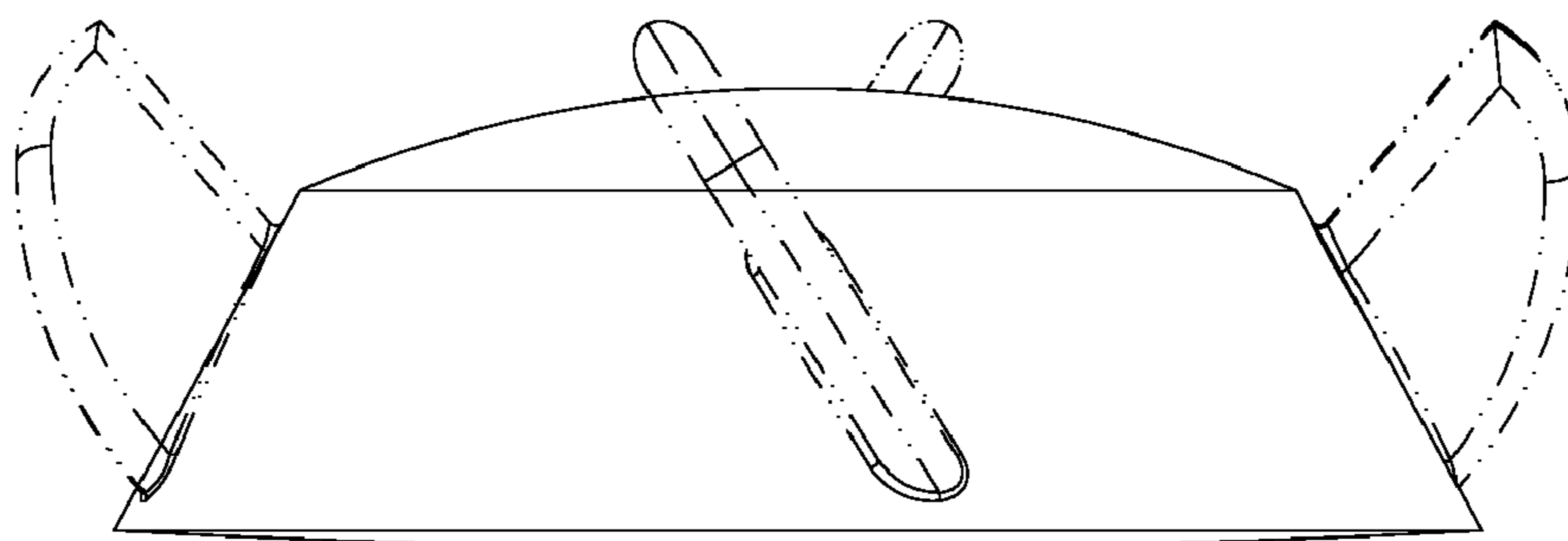


Fig. 2

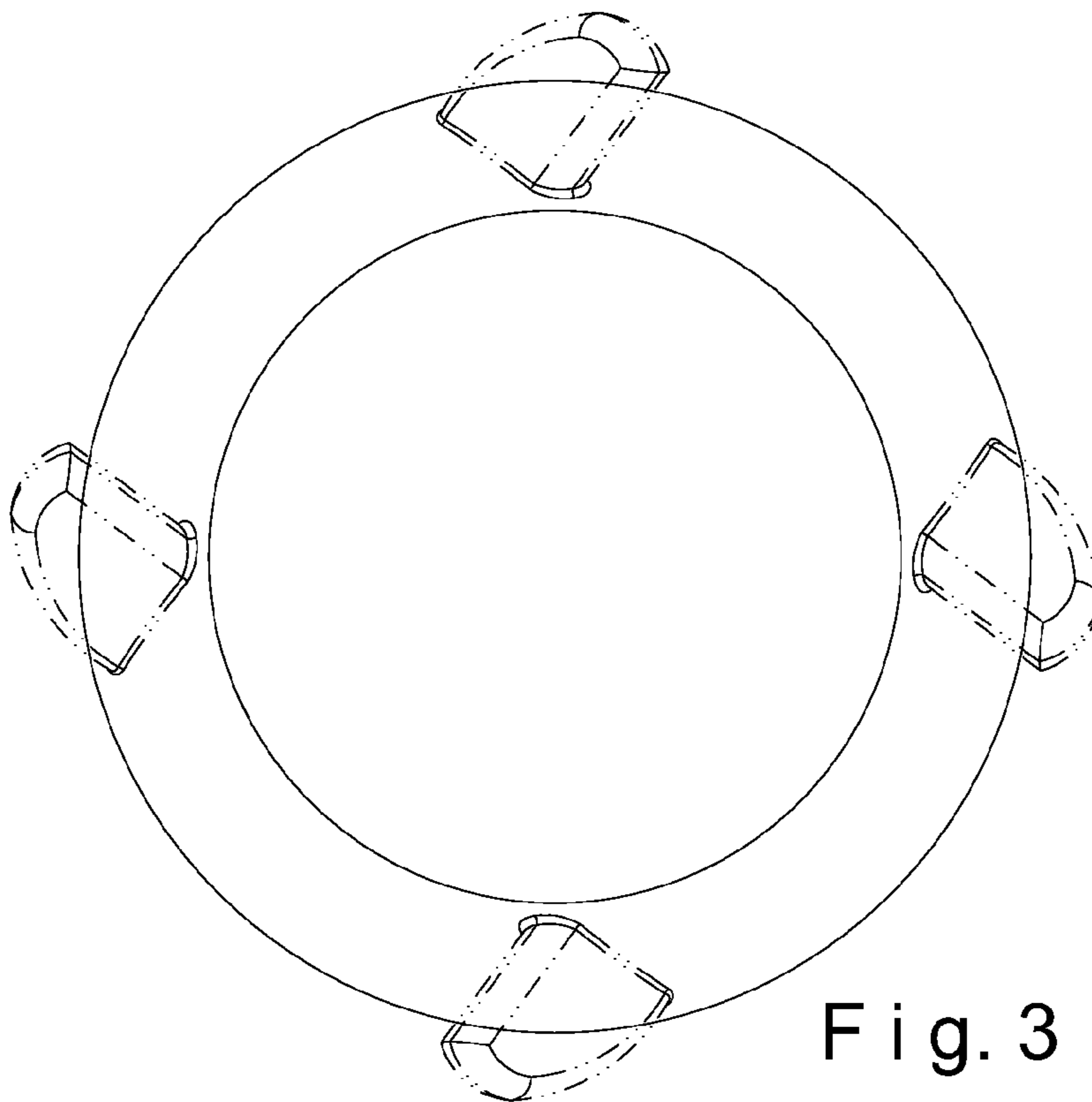


Fig. 3

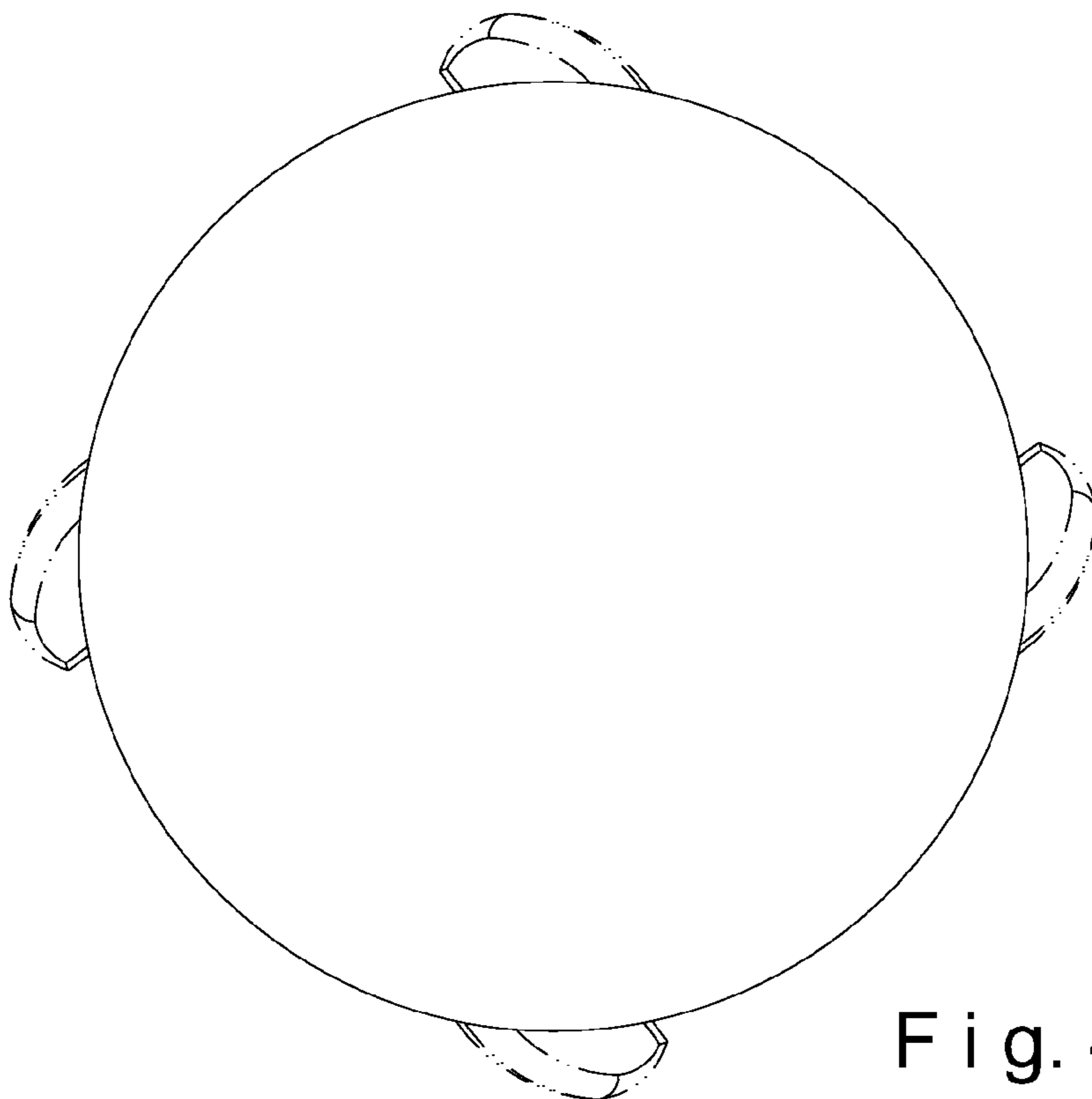


Fig. 4