



US00D606662S

(12) **United States Design Patent**
Ritchie

(10) **Patent No.:** **US D606,662 S**

(45) **Date of Patent:** **** Dec. 22, 2009**

(54) **FEEDING BOTTLE ACCESSORY**

(76) Inventor: **Robert Ritchie**, 29 Corbets Avenue,
Upminster, Essex (GB) RM14 2EG

(**) Term: **14 Years**

(21) Appl. No.: **29/337,041**

(22) Filed: **May 14, 2009**

(30) **Foreign Application Priority Data**

Nov. 15, 2008 (GB) 4009552

(51) **LOC (9) Cl.** **24-04**

(52) **U.S. Cl.** **D24/197; D24/194**

(58) **Field of Classification Search** D24/193-199;
604/74-78; D9/436, 438; 446/72, 73, 268,
446/305, 374; 606/234-236; 248/102-106,
248/908; D7/391-392.1, 507, 510, 511;
220/377, 715, 719; 215/11.1-11.6; D21/468
See application file for complete search history.

(56) **References Cited**

U.S. PATENT DOCUMENTS

2,033,296	A *	3/1936	Porter	248/102
3,058,708	A *	10/1962	Murray et al.	248/102
D200,819	S *	4/1965	Perun	D9/434
D259,231	S *	5/1981	Kozlow, Sr.	D7/392.1
D306,071	S *	2/1990	Klitsner	D24/197
D306,072	S *	2/1990	Klitsner	D24/197
D306,073	S *	2/1990	Klitsner	D24/197
D306,074	S *	2/1990	Klitsner	D24/197
D306,075	S *	2/1990	Klitsner	D24/197
5,114,374	A	5/1992	Estiva		
5,244,105	A	9/1993	Serre		
5,513,885	A *	5/1996	Joffe	294/31.2
5,810,003	A	9/1998	Findlater		
D458,380	S *	6/2002	Dutil	D24/197
D458,540	S *	6/2002	Clements et al.	D9/516

D470,238	S *	2/2003	Boggs	D24/193
D528,660	S *	9/2006	Lornage	D24/197
D584,824	S *	1/2009	Berglund	D24/199
D584,825	S *	1/2009	Berglund	D24/199
2003/0116520	A1 *	6/2003	Abraham	215/11.6

FOREIGN PATENT DOCUMENTS

EP	1354579	10/2003
WO	2008/065318	6/2008

OTHER PUBLICATIONS

Search Report of Application No. GB0821837.2 mailed Mar. 10, 2009.

* cited by examiner

Primary Examiner—Philip S Hyder

Assistant Examiner—Susan E Krakower

(74) *Attorney, Agent, or Firm*—Lowe Hauptman Ham & Berner, LLP

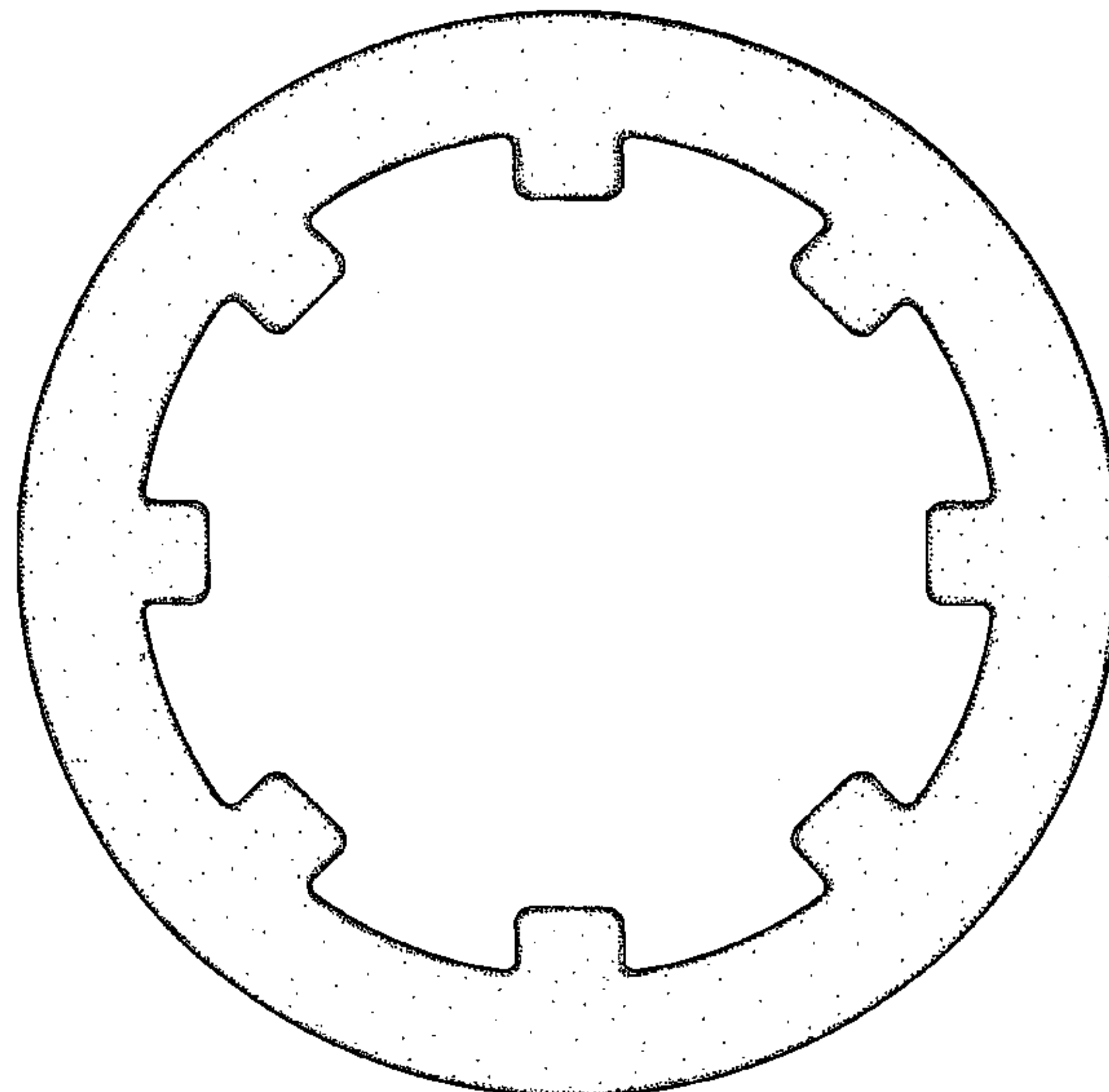
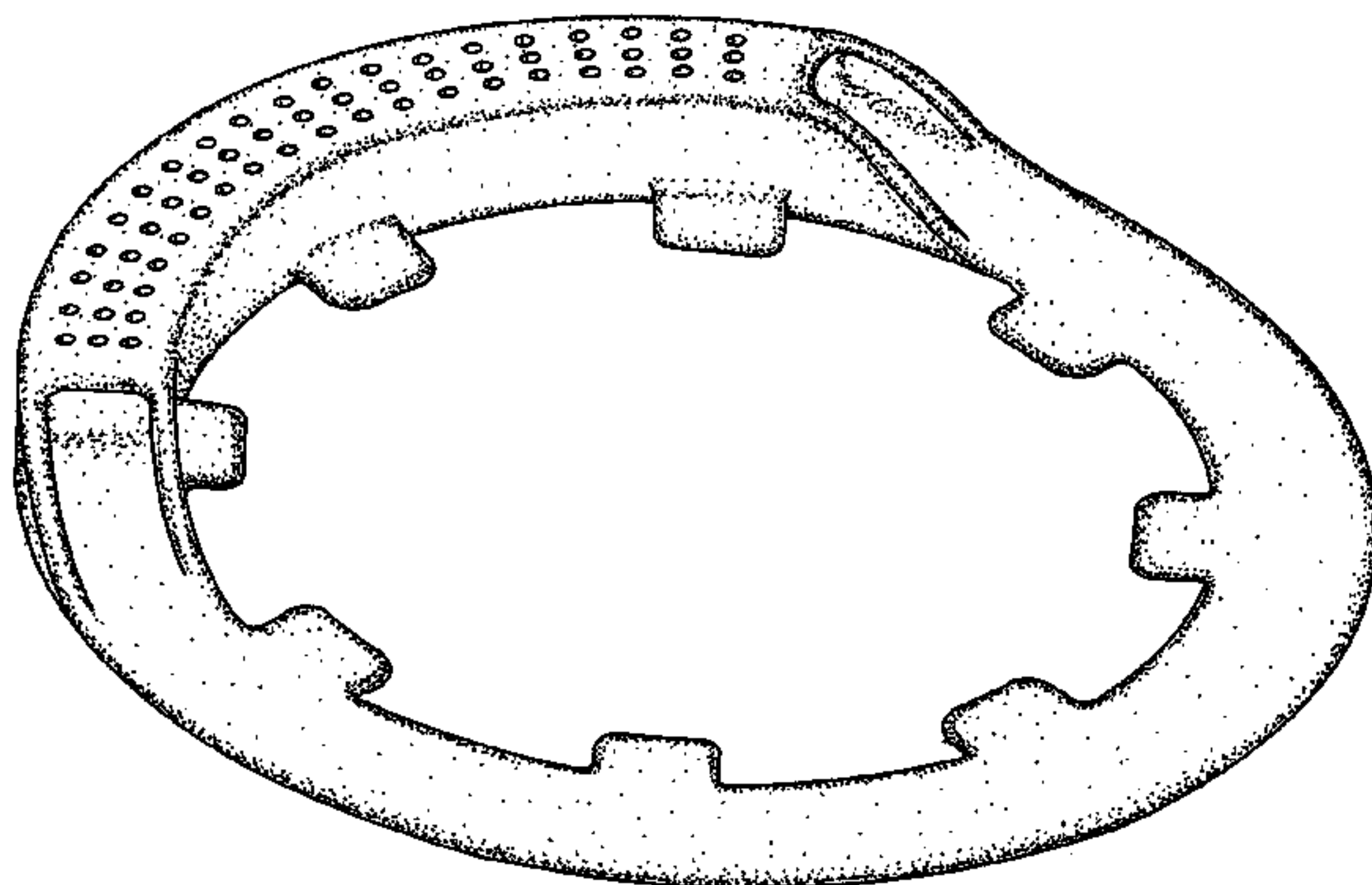
(57) **CLAIM**

The ornamental design for a feeding bottle accessory, as shown and described.

DESCRIPTION

FIG. 1 is a perspective view of the feeding bottle accessory; FIG. 2 is a front view of FIG. 1; FIG. 3 is a top view of FIG. 1; FIG. 4 is a bottom view of FIG. 1; FIG. 5 is a right side view of FIG. 1, the left side view being a mirror image thereof; FIG. 6 is a rear view of FIG. 1; and, FIG. 7 is a cross-sectional side view of FIG. 1, taken along line 7—7 of FIG. 2.

1 Claim, 7 Drawing Sheets



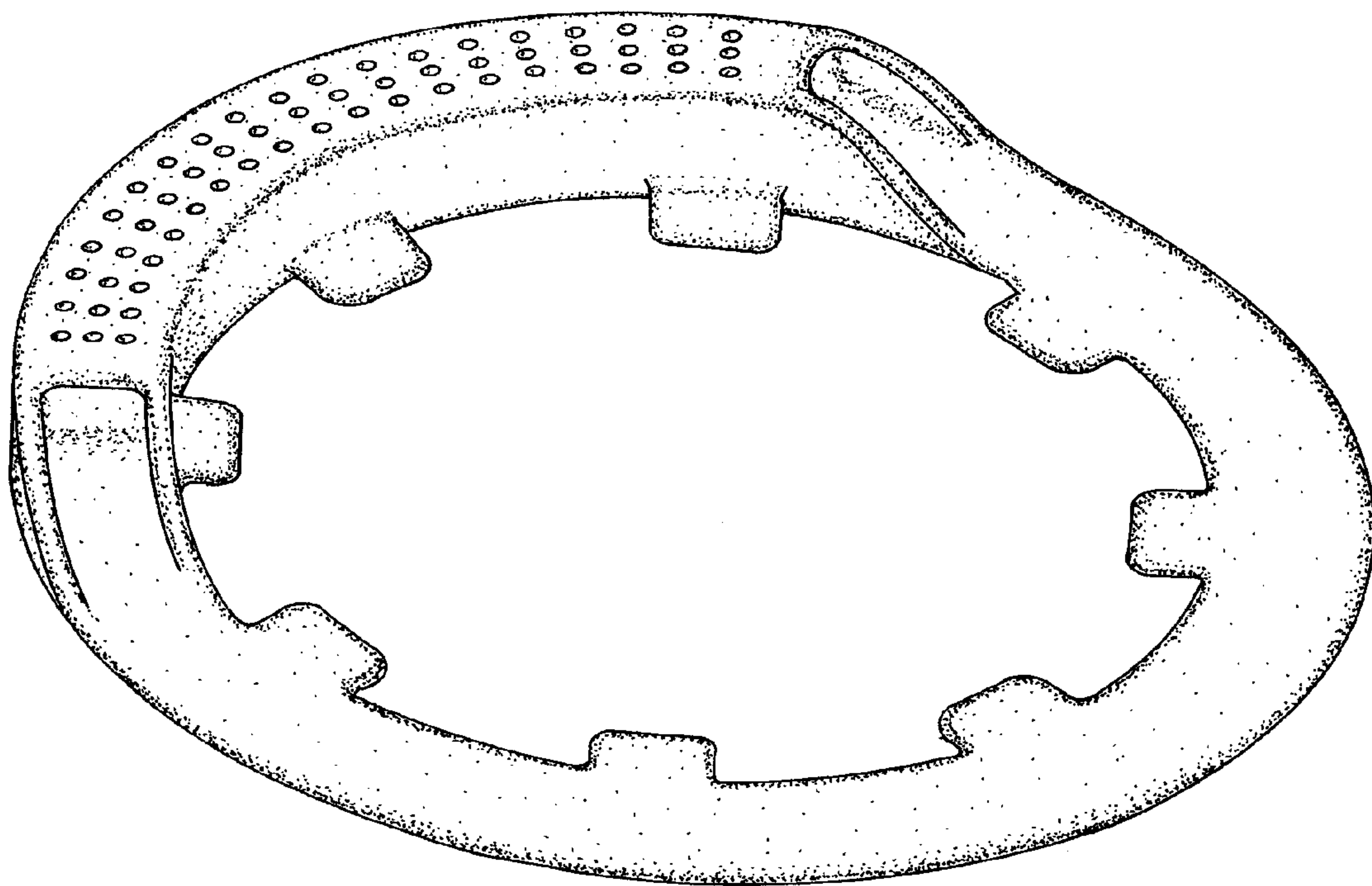


FIG. 1

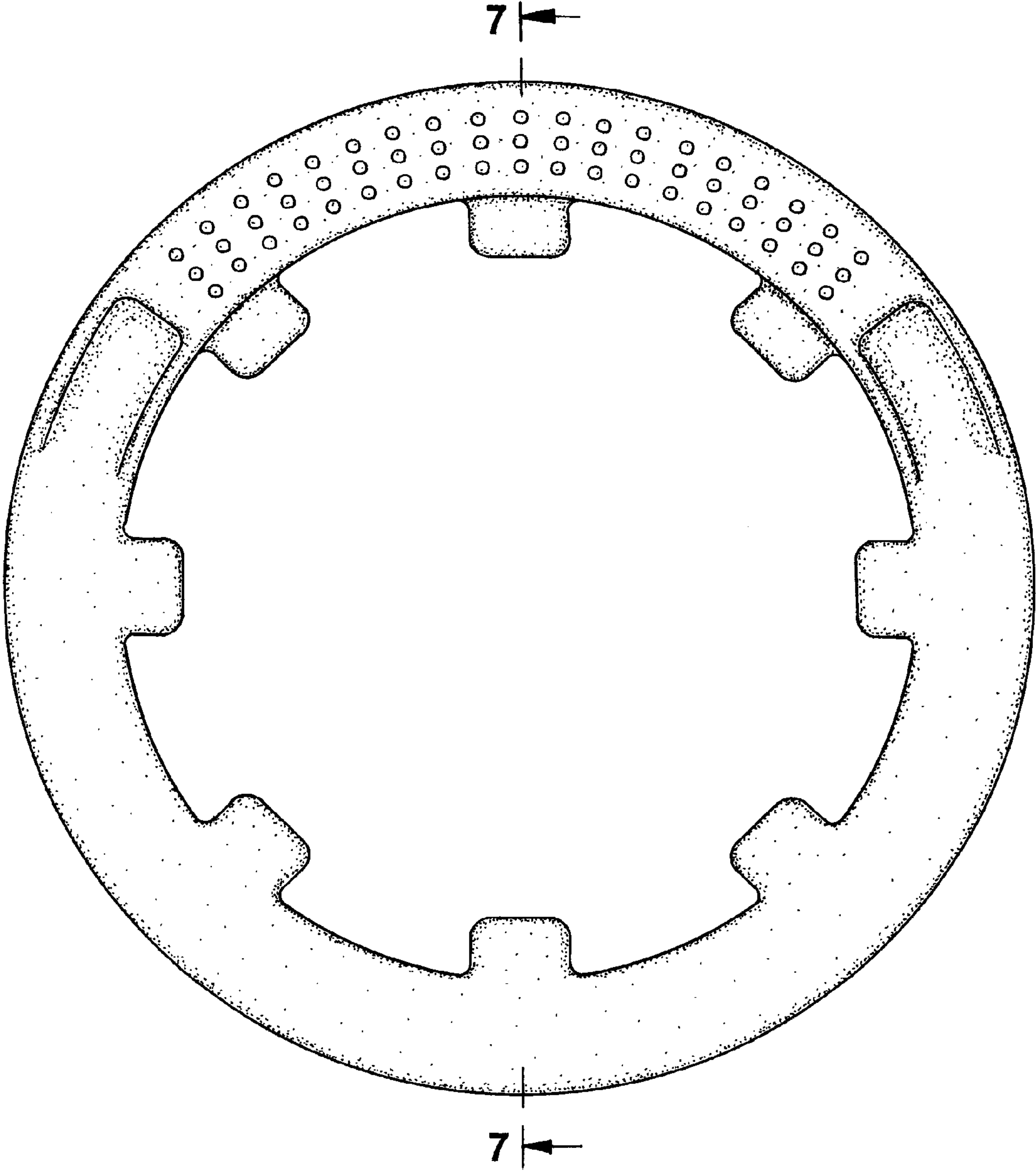


FIG. 2

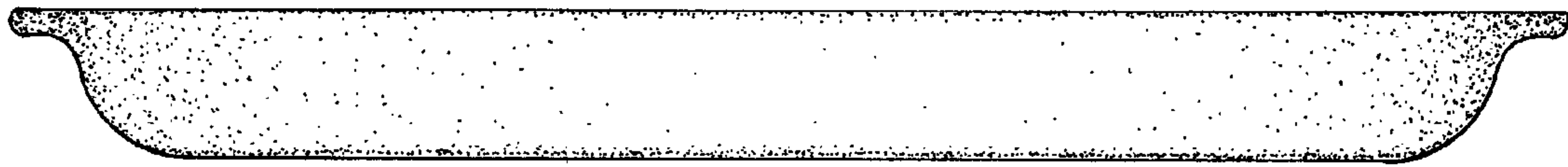


FIG. 3

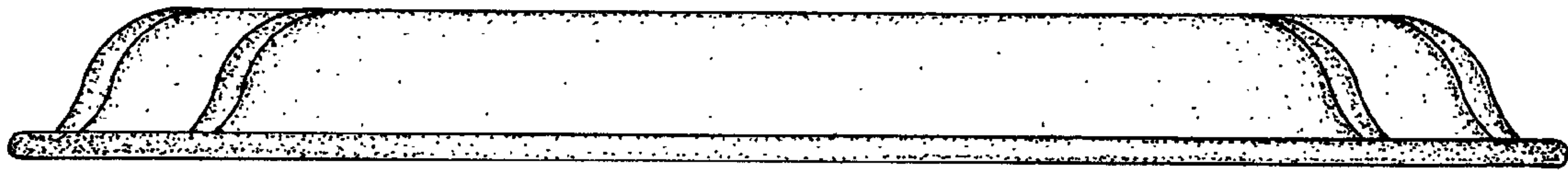


FIG. 4

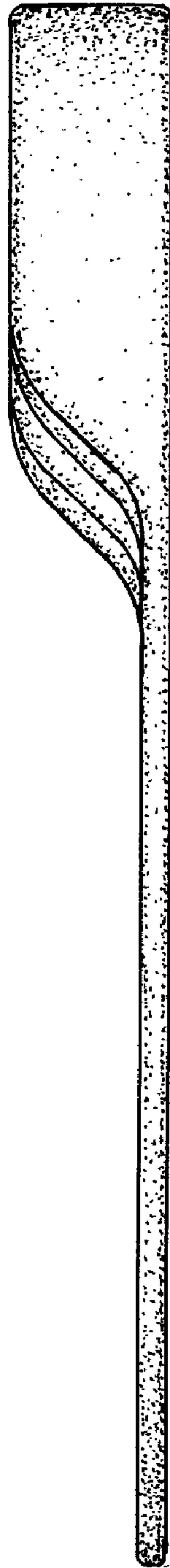


FIG. 5

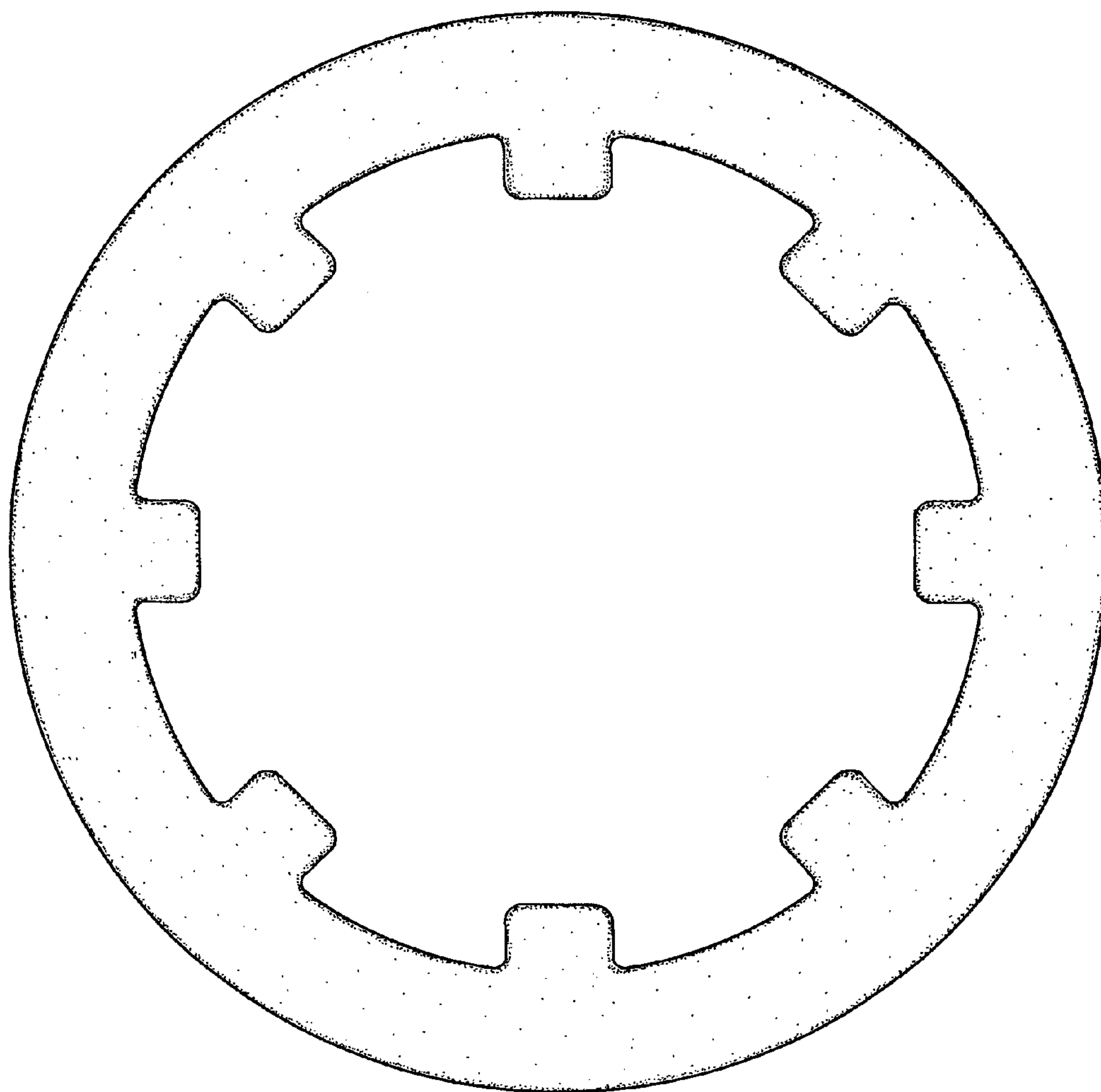


FIG. 6

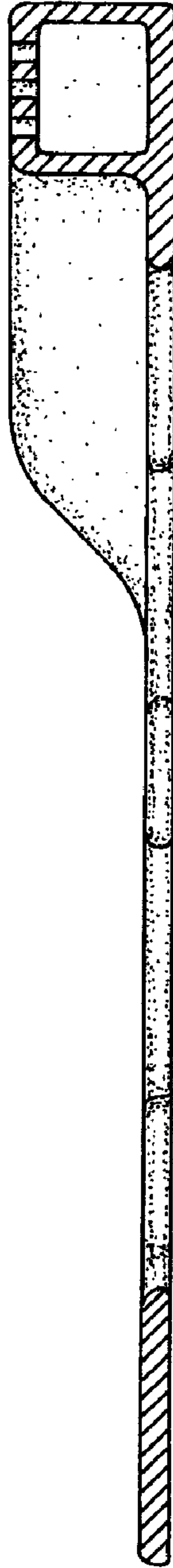


FIG. 7