



US00D606648S

(12) **United States Design Patent**
Benner

(10) **Patent No.:** **US D606,648 S**
(45) **Date of Patent:** **** Dec. 22, 2009**

(54) **EARPLUG**
(75) Inventor: **Devin Benner**, Pleasant Ridge, MI (US)
(73) Assignee: **McKeon Products, Inc.**, Warren, MI (US)
(**) Term: **14 Years**
(21) Appl. No.: **29/324,841**
(22) Filed: **Sep. 22, 2008**
(51) **LOC (9) Cl.** **28-04**
(52) **U.S. Cl.** **D24/106**
(58) **Field of Classification Search** D24/106;
181/129-131, 135; 128/857, 864-868; 381/313,
381/359, 338

D423,664 S 4/2000 Falco
D435,626 S 12/2000 Benini
D435,645 S 12/2000 Westerdal
D437,048 S 1/2001 Hirsfeld
D445,893 S 7/2001 Remer et al.
D449,592 S 10/2001 Koss et al.
6,425,398 B1 7/2002 Hirshfeld
6,484,726 B1 11/2002 Remer et al.
D471,625 S 3/2003 Falco
D481,118 S 10/2003 Doty et al.
6,659,103 B2 12/2003 Tiemens
D492,991 S 7/2004 Chiang
6,830,124 B2 12/2004 Chiang
D500,529 S 1/2005 Moore
6,938,621 B1 9/2005 Greenhaw et al.
D541,412 S 4/2007 Benner
7,264,081 B2 * 9/2007 Bruck 181/135
2006/0175722 A1 8/2006 Babcock et al.

See application file for complete search history.

FOREIGN PATENT DOCUMENTS

EM 3006966 2/2002
EM 3011406 6/2003
EM 000252424-0001 8/2005

(56) **References Cited**
U.S. PATENT DOCUMENTS

2,393,005 A 1/1946 Veneklasen
2,672,863 A 3/1954 Leight
3,415,246 A 12/1968 Hill
D236,162 S 7/1975 Leight
4,089,322 A 5/1978 Rose
4,219,018 A 8/1980 Draper, Jr.
D275,320 S 8/1984 Halcomb et al.
4,552,137 A 11/1985 Strauss
4,564,009 A 1/1986 Brinkhoff
4,582,053 A 4/1986 Wilson
4,852,684 A 8/1989 Packard
D307,325 S * 4/1990 Gardner, Jr. D24/106
D307,635 S * 5/1990 Gardner, Jr. D24/106
D307,636 S * 5/1990 Gardner, Jr. D24/106
D361,066 S 8/1995 Langhorn et al.
5,452,731 A 9/1995 Dickman
D371,193 S * 6/1996 Myers et al. D24/106
D372,660 S 8/1996 Niessner
5,674,196 A 10/1997 Donaldson et al.
D389,221 S 1/1998 Borg
5,824,968 A 10/1998 Packard et al.
D408,536 S 4/1999 Borowsky et al.
5,904,143 A 5/1999 Magidson et al.
D418,650 S 1/2000 Neuhaus

* cited by examiner

Primary Examiner—Charles A Rademaker
Assistant Examiner—Charles D Hanson
(74) *Attorney, Agent, or Firm*—Butzel Long

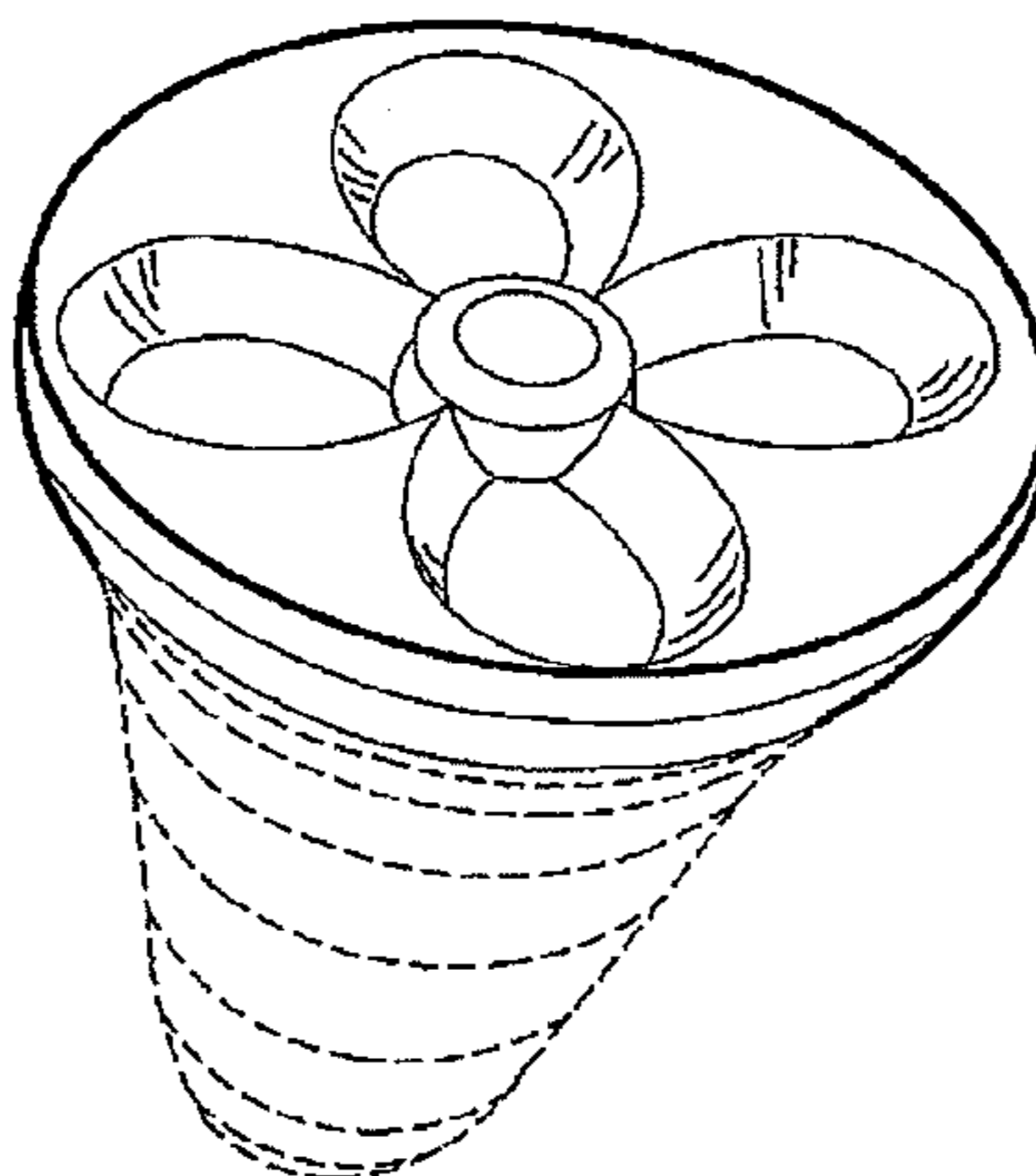
(57) **CLAIM**

The ornamental design for an earplug, as shown and described.

DESCRIPTION

FIG. 1 is a perspective view of an earplug showing my new design;
FIG. 2 is a top view thereof;
FIG. 3 is an elevation view thereof, the opposite side being a mirror image; and,
FIG. 4 is a bottom plan view thereof.
The broken lines shown in the drawings are for environmental purposes only and form no part of the claimed design.

1 Claim, 1 Drawing Sheet



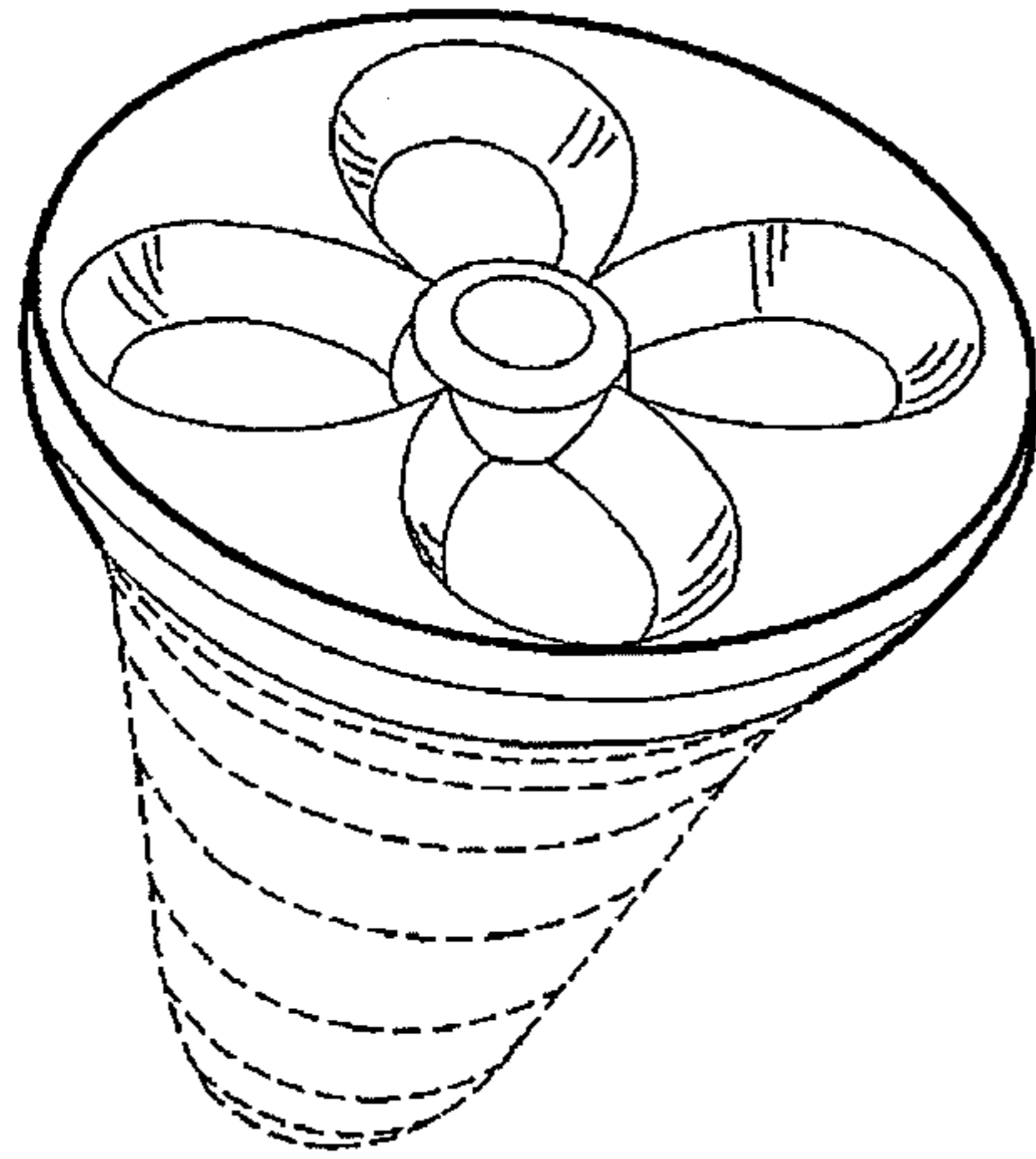


FIG - 1

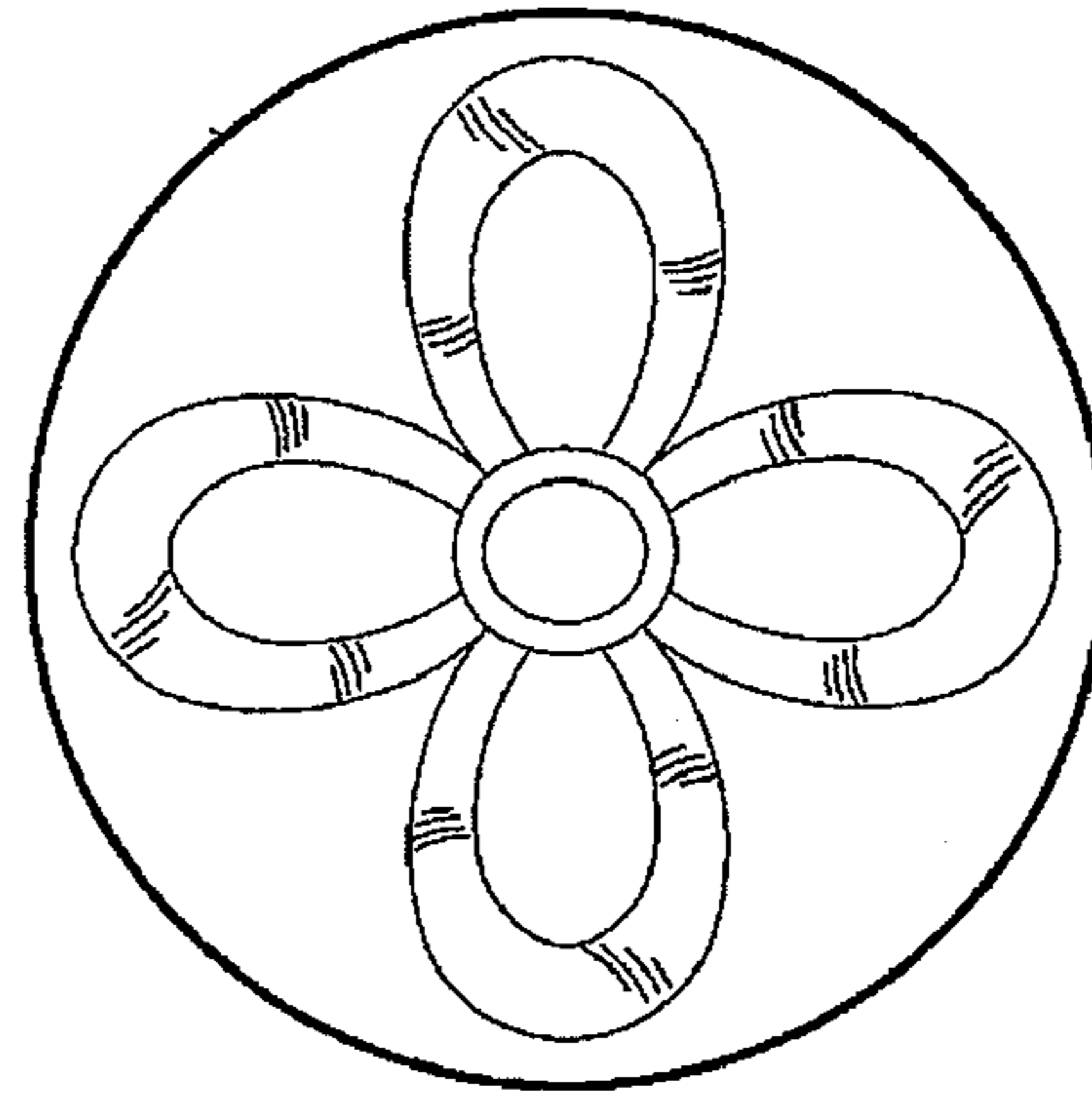


FIG - 2

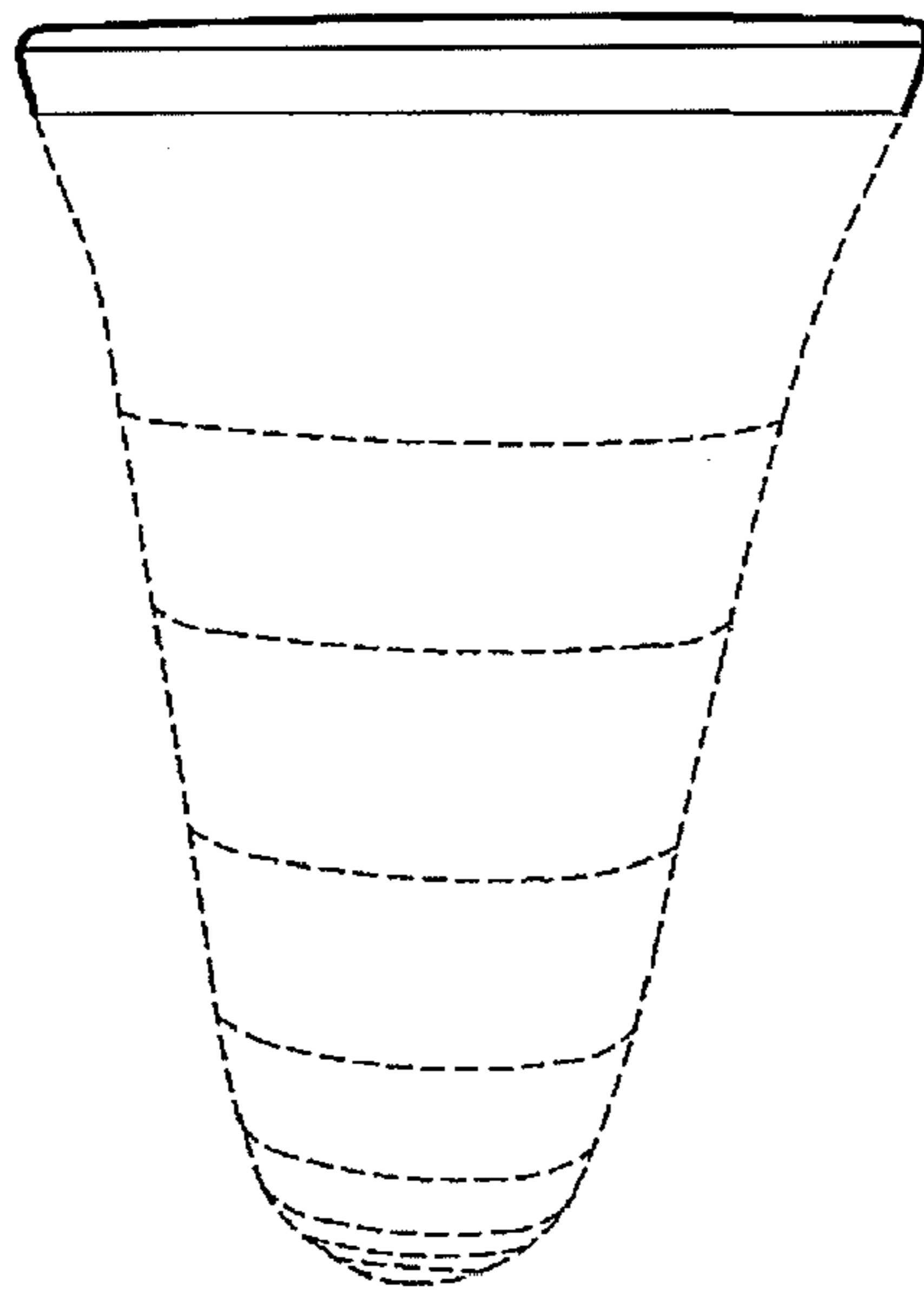


FIG - 3

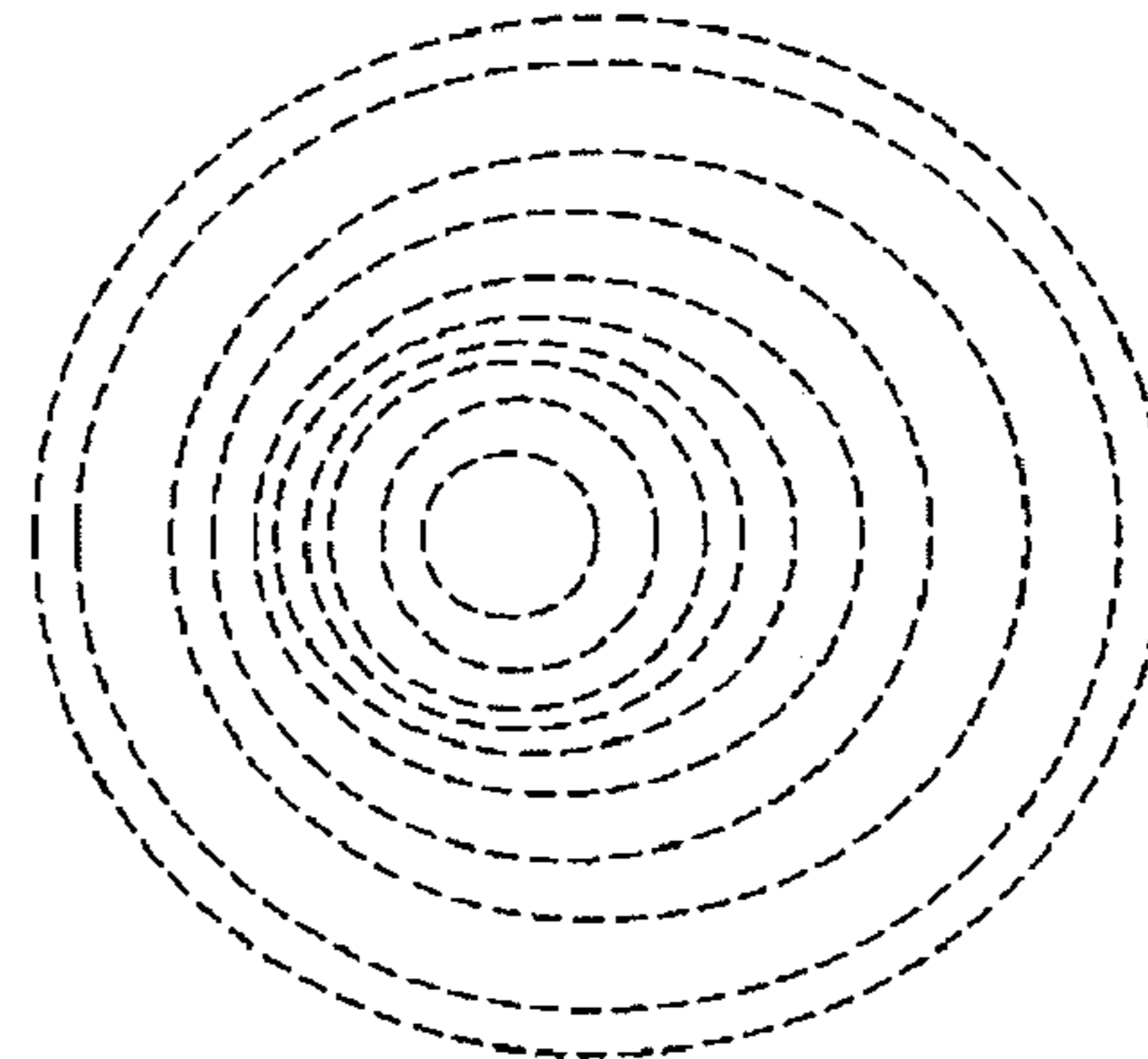


FIG - 4