



US00D606643S

(12) **United States Design Patent**  
**Butler et al.**

(10) **Patent No.:** **US D606,643 S**

(45) **Date of Patent:** **\*\* Dec. 22, 2009**

(54) **AIR FRESHENER DEVICE**

(75) Inventors: **Martin Butler**, Hull (GB); **Ruben Garcia**, Barcelona (ES); **Kristian Hall**, Hull (GB); **Sam Leach**, Hull (GB); **Fernando Mayor**, Barcelona (ES)

(73) Assignee: **Reckitt Benckiser (UK) Limited**, Slough, Berkshire (GB)

(\*\*) Term: **14 Years**

(21) Appl. No.: **29/334,513**

(22) Filed: **Mar. 27, 2009**

(30) **Foreign Application Priority Data**

Sep. 30, 2008 (EM) ..... 001011381-0001

(51) **LOC (9) Cl.** ..... **28-99**

(52) **U.S. Cl.** ..... **D23/366**

(58) **Field of Classification Search** ..... D23/355-369;  
D28/5, 6; 261/DIG. 17, DIG. 42, DIG. 65,  
261/DIG. 88, DIG. 89; 239/34, 35, 36, 44,  
239/45, 48, 52, 53, 55, 56, 57, 60, 302, 303,  
239/326, 380; 392/386, 390, 392, 394, 395  
See application file for complete search history.

(56) **References Cited**

**U.S. PATENT DOCUMENTS**

D432,222 S \* 10/2000 Rymer et al. .... D23/366  
D433,744 S \* 11/2000 Basaganas ..... D23/366  
D461,549 S \* 8/2002 Garcia ..... D23/360  
D501,921 S \* 2/2005 Caserta et al. .... D23/366  
D510,423 S \* 10/2005 Caserta et al. .... D23/366

D539,892 S \* 4/2007 Caserta et al. .... D23/366  
D561,883 S \* 2/2008 Cantoni et al. .... D23/366  
D567,920 S \* 4/2008 Cantoni et al. .... D23/366  
D567,923 S \* 4/2008 Turchi et al. .... D23/366  
D568,454 S \* 5/2008 Bellofatto et al. .... D23/366  
D568,978 S \* 5/2008 Kennedy et al. .... D23/366  
RE40,392 E \* 6/2008 Rymer et al. .... D23/366  
D573,705 S \* 7/2008 Turchi et al. .... D23/366  
D582,537 S \* 12/2008 Kay et al. .... D23/366  
D583,038 S \* 12/2008 Kay et al. .... D23/366  
D583,039 S \* 12/2008 Kay et al. .... D23/366  
D583,457 S \* 12/2008 Kay et al. .... D23/366

\* cited by examiner

*Primary Examiner*—Sandra Snapp

(74) *Attorney, Agent, or Firm*—Norris, McLaughlin & Marcus, P.A.

(57) **CLAIM**

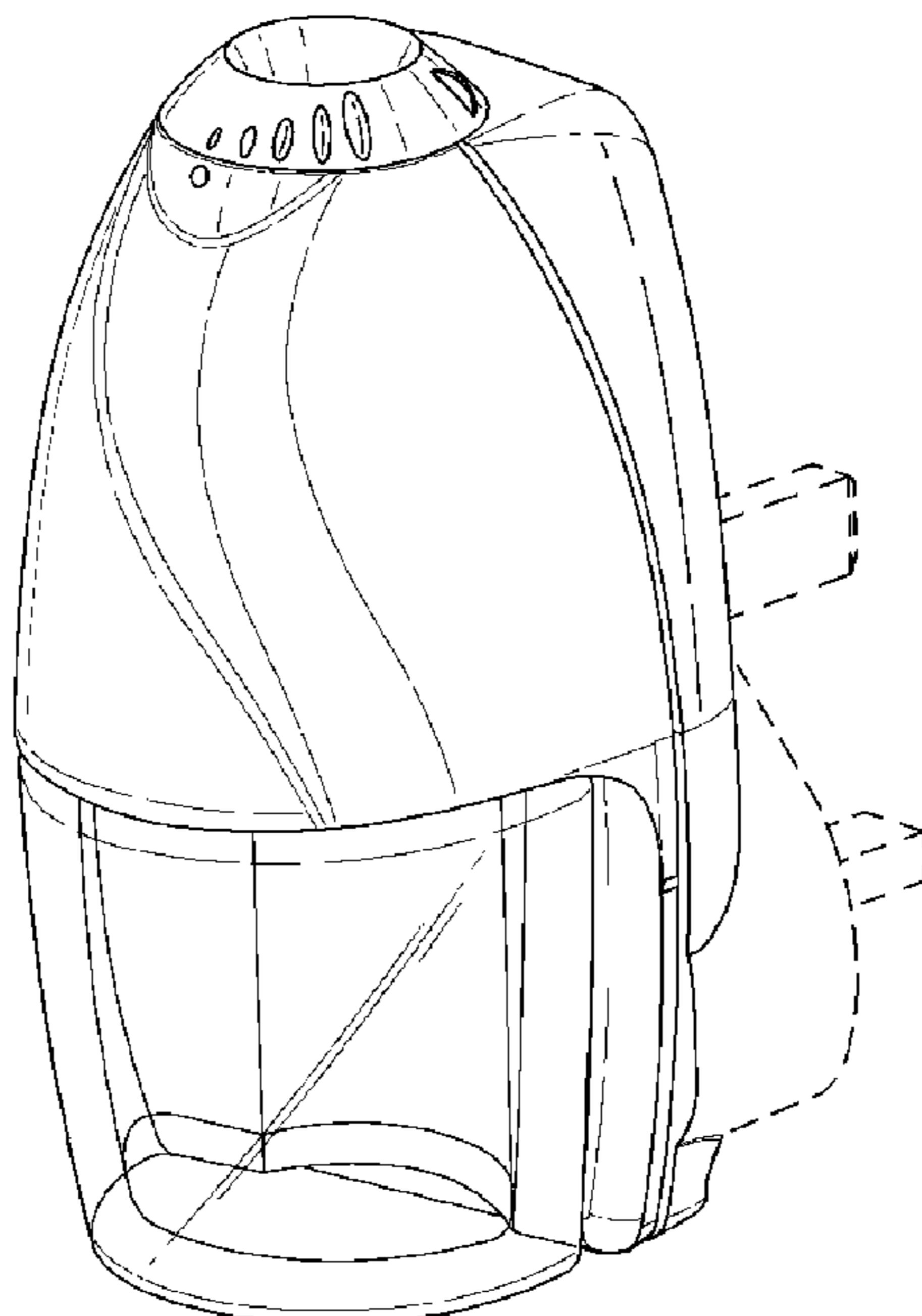
The ornamental design for an air freshener device, as shown and described.

**DESCRIPTION**

FIG. 1 is a front perspective view of our air freshener device; FIG. 2 is an elevation view of the front thereof; FIG. 3 is an elevation view of the rear thereof; FIG. 4 is an elevation view of the left side thereof; FIG. 5 is an elevation view of the right side thereof; FIG. 6 is a plan view of the top thereof; and, FIG. 7 is a plan view of the bottom thereof.

The broken lines show in the figures are for illustrative purposes only and form no part of the claimed design.

**1 Claim, 2 Drawing Sheets**



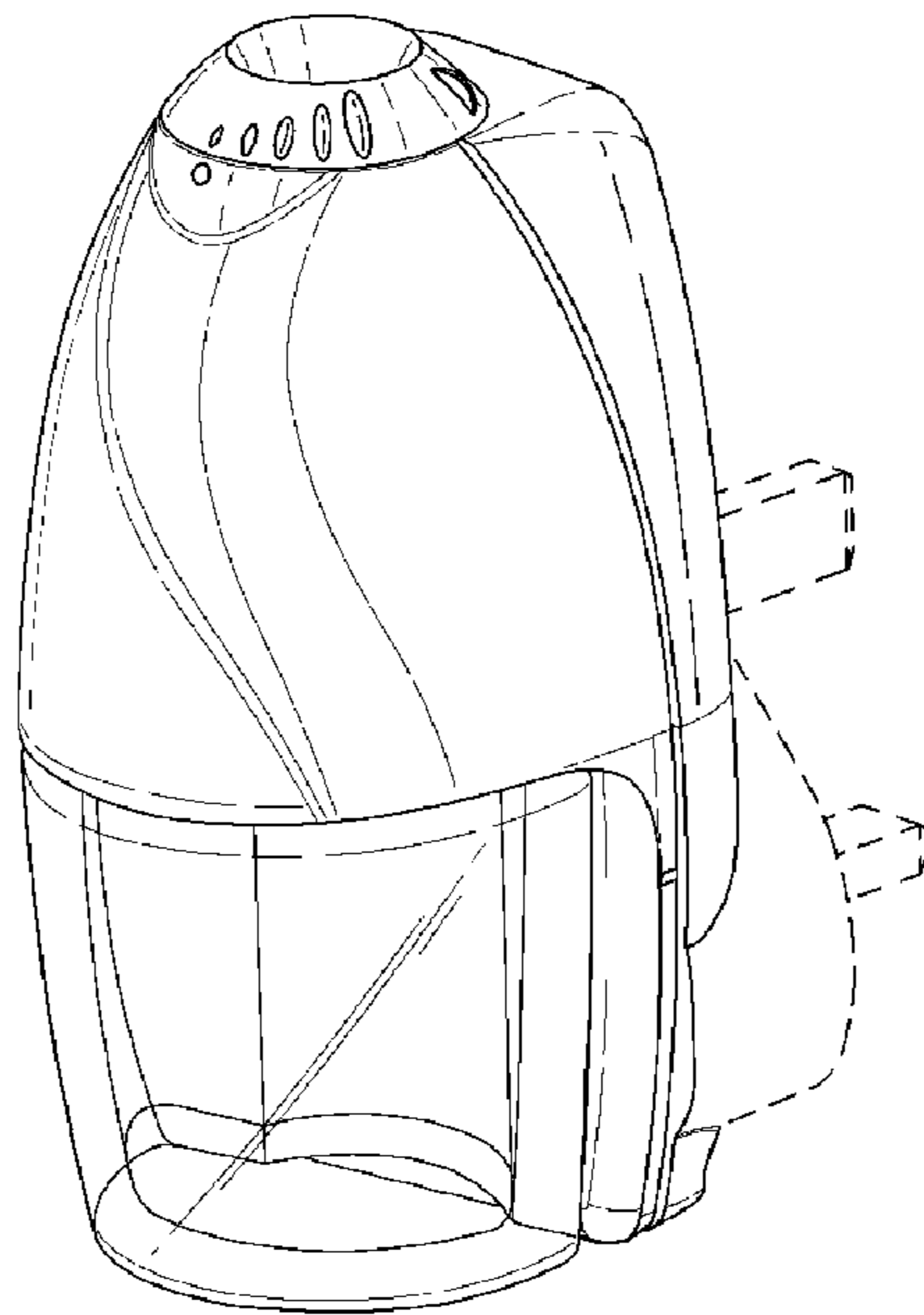


Fig.1.

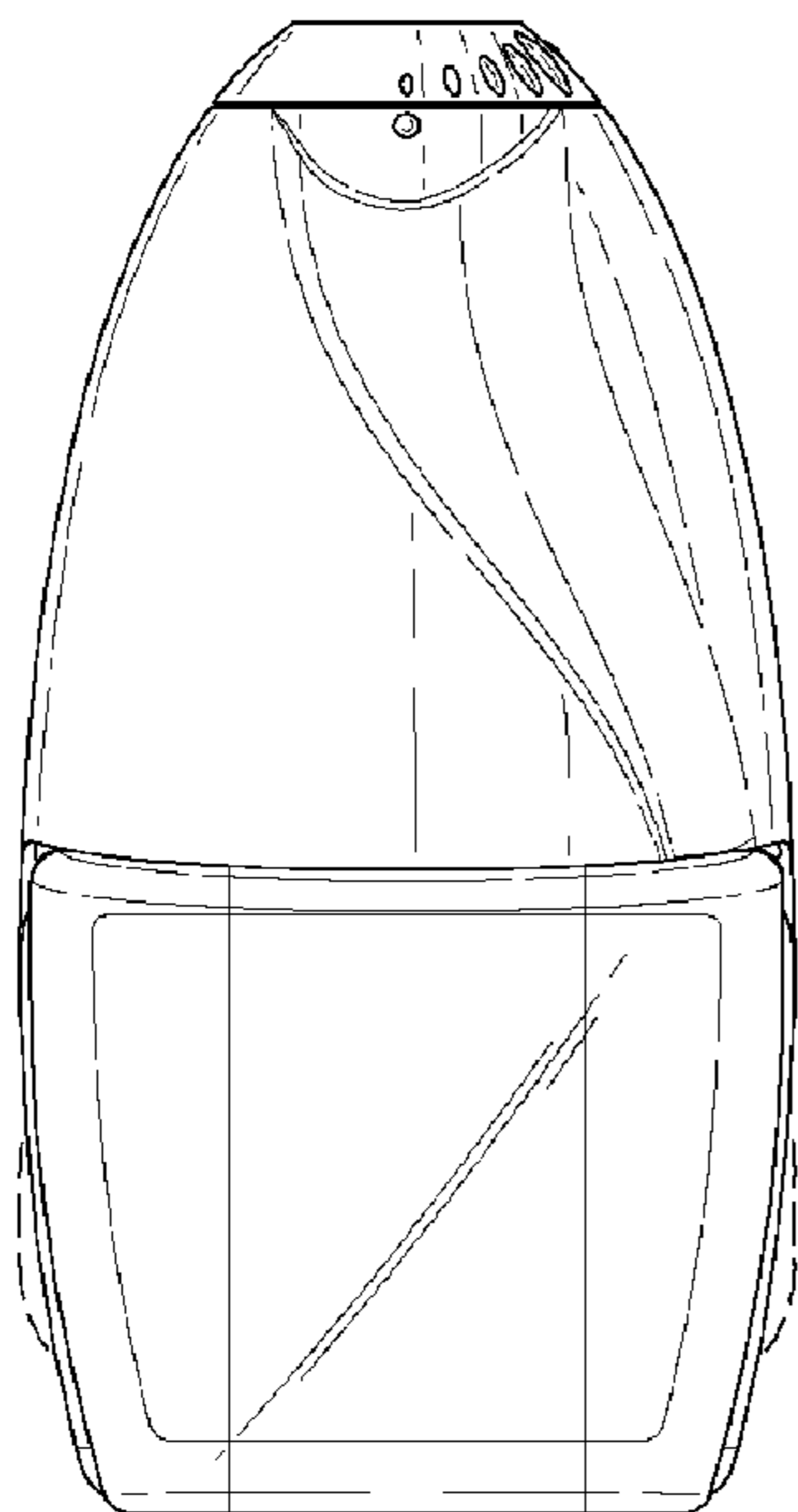


Fig.2.

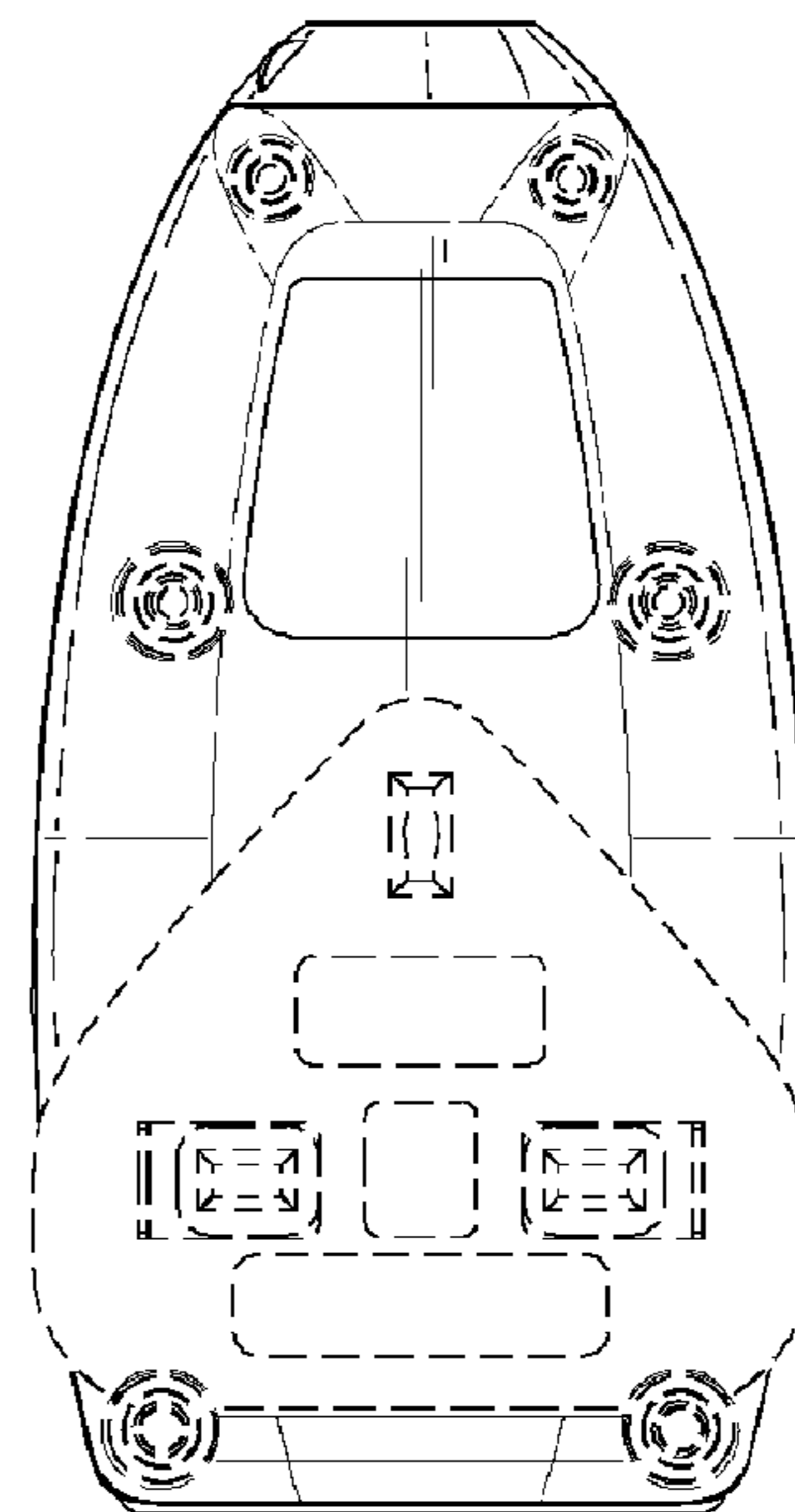


Fig.3.

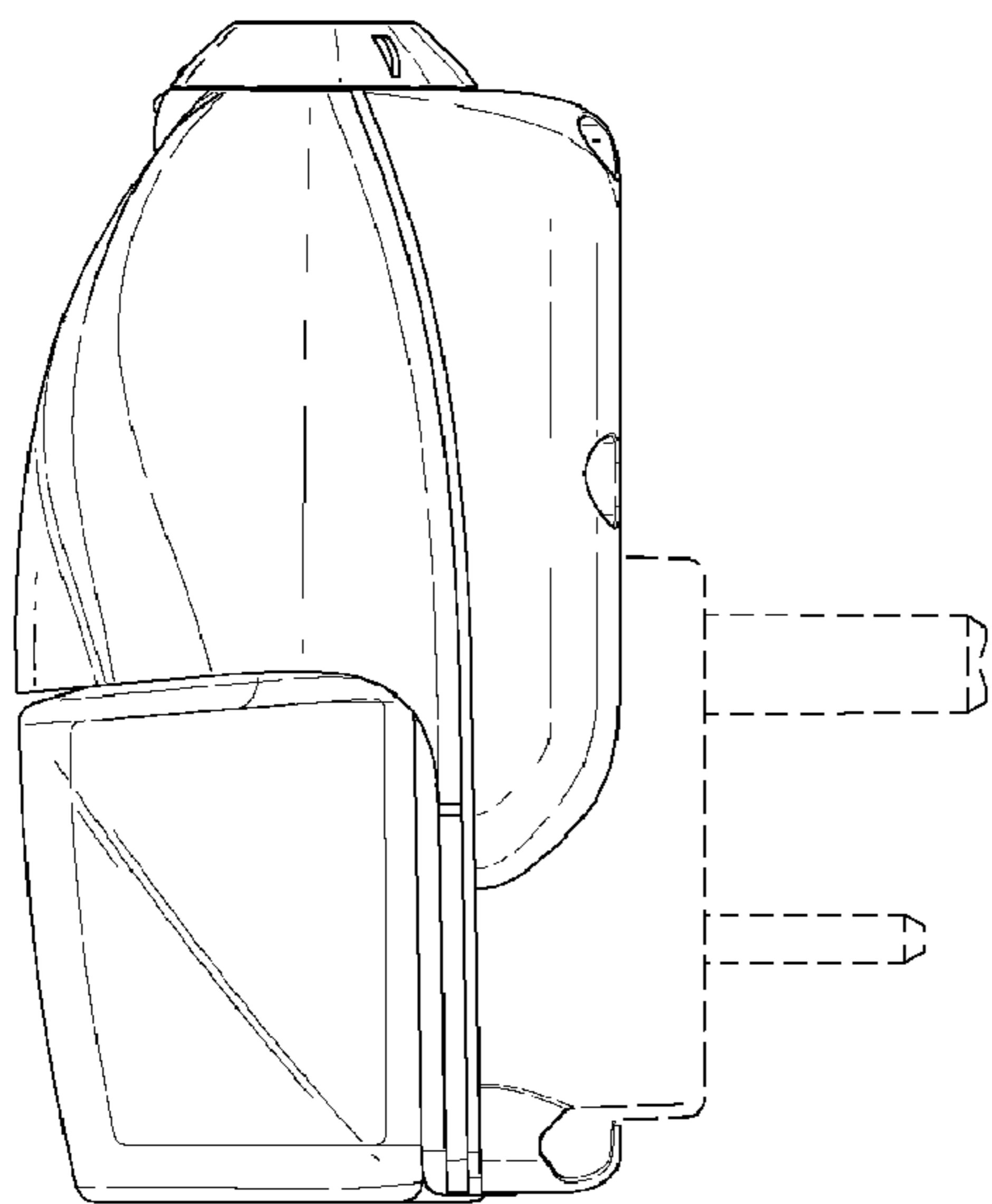


Fig.4.

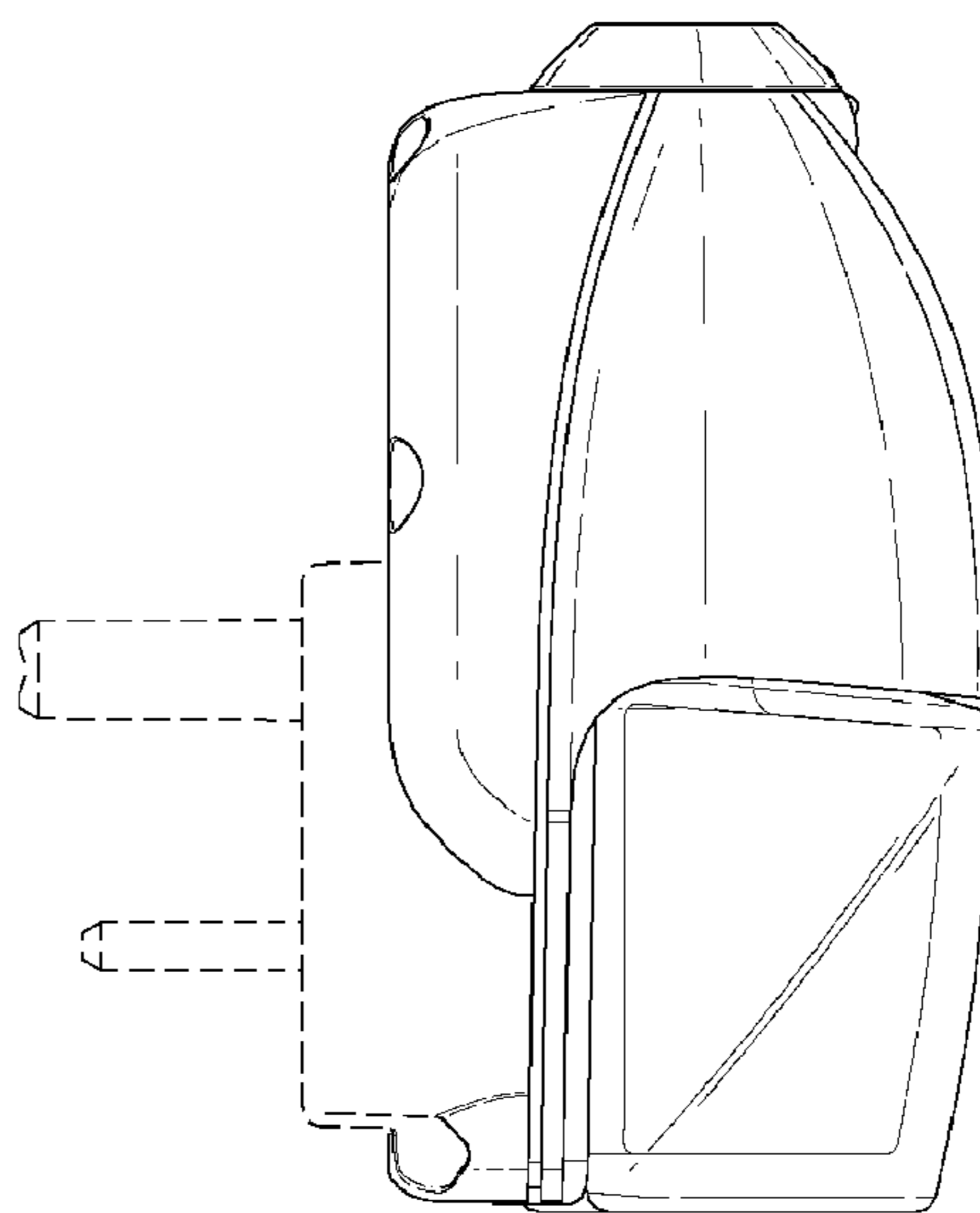


Fig.5.

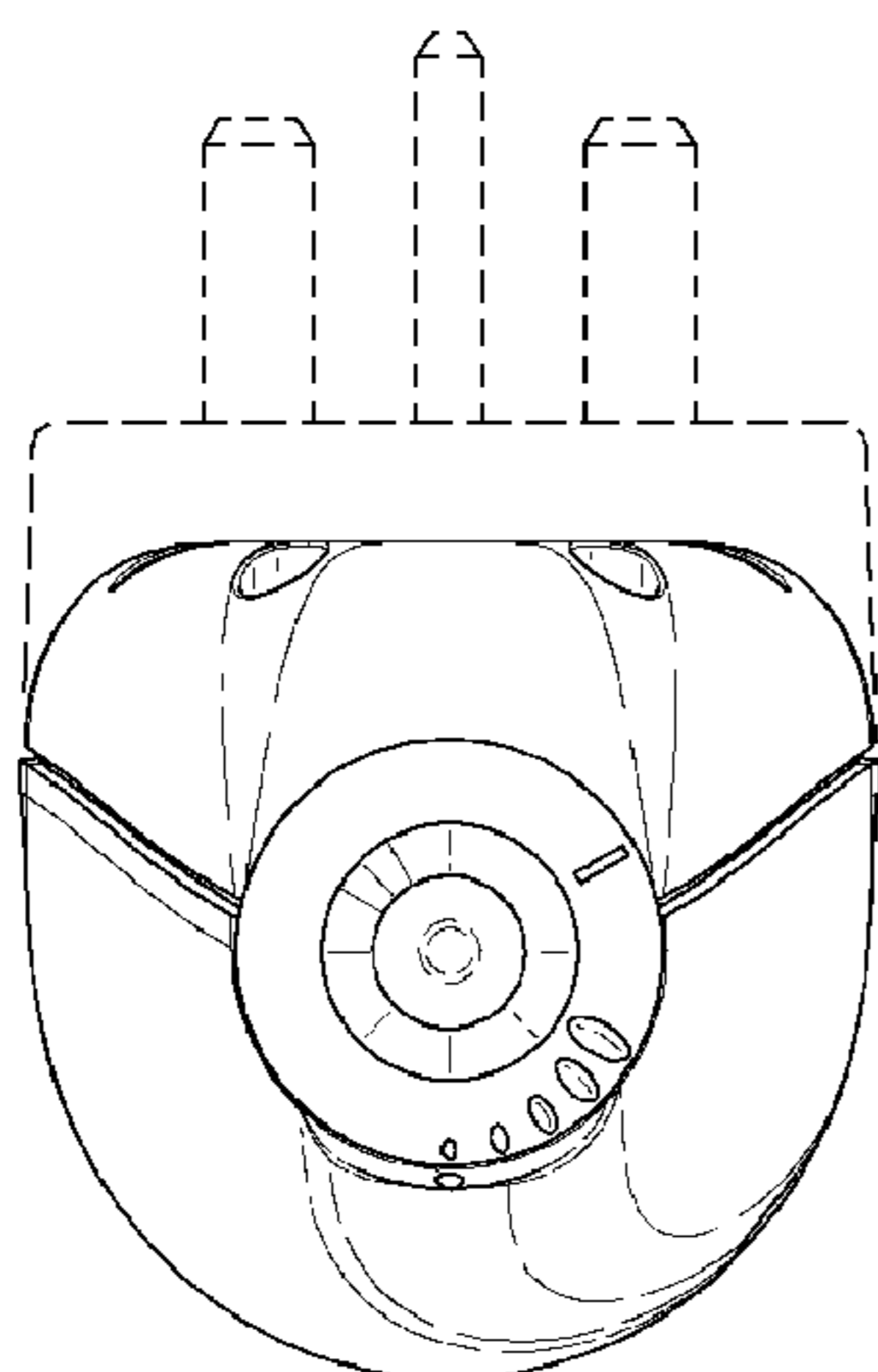


Fig.6.

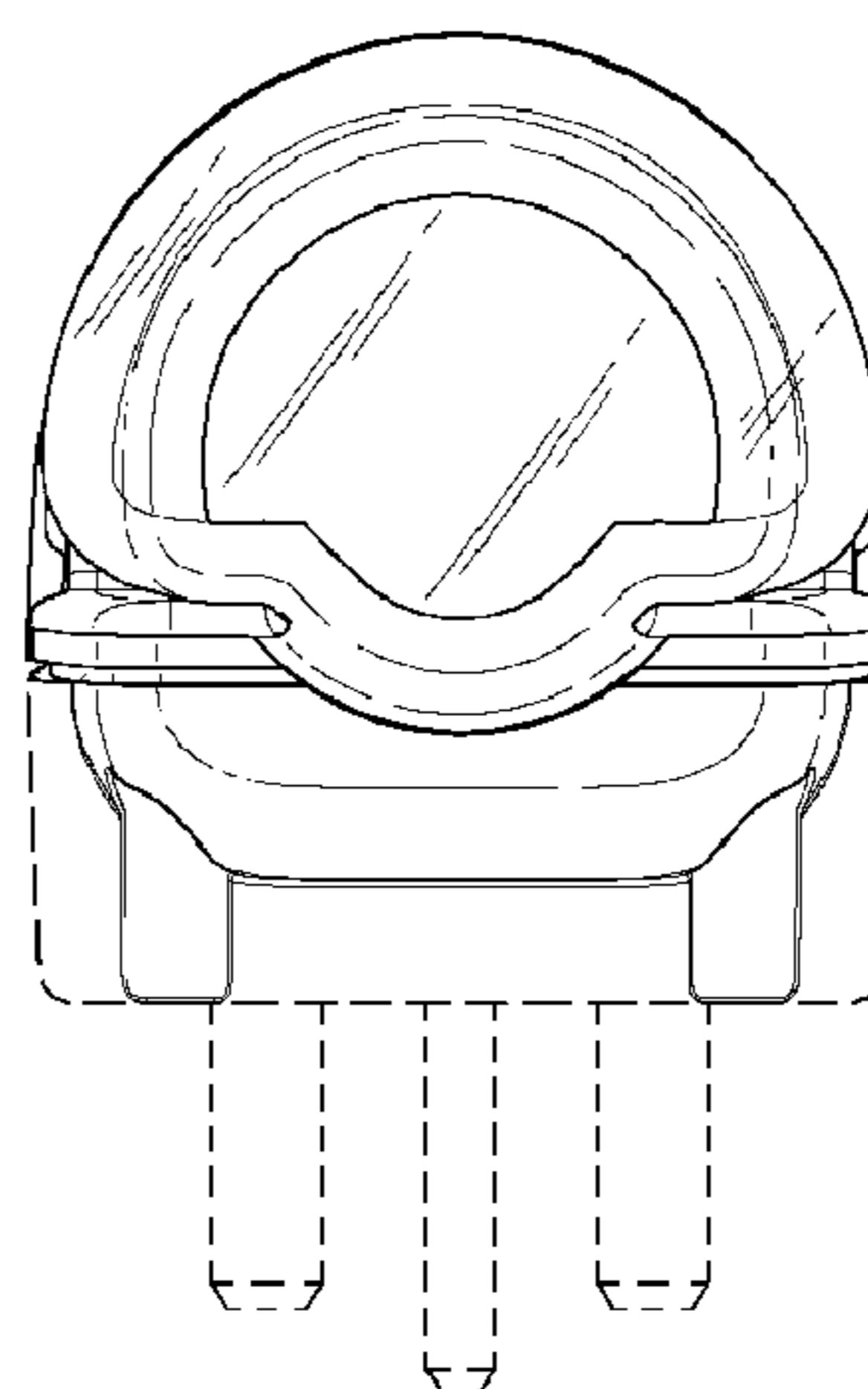


Fig.7.