



US00D606641S

(12) **United States Design Patent**  
**Kim et al.**

(10) **Patent No.:** **US D606,641 S**

(45) **Date of Patent:** **\*\* Dec. 22, 2009**

(54) **CEILING AIR CONDITIONER**

(75) Inventors: **Tae Il Kim**, Seoul (KR); **Sang Woog Cho**, Seoul (KR); **In Hyeuk Choi**, Gyeonggi-do (KR); **Jee Wook Ha**, Seoul (KR); **Seon Kyu Kim**, Seoul (KR)

(73) Assignee: **LG Electronics Inc.**, Seoul (KR)

(\*\*) Term: **14 Years**

(21) Appl. No.: **29/337,067**

(22) Filed: **May 14, 2009**

(30) **Foreign Application Priority Data**

Nov. 25, 2008 (KR) ..... 30-2008-0050675

(51) **LOC (9) Cl.** ..... **23-04**

(52) **U.S. Cl.** ..... **D23/351**

(58) **Field of Classification Search** ..... D23/351-354,  
D23/385, 388; 312/236; 62/259.1, 259.4,  
62/262-263, 304; 454/330-331, 349-350  
See application file for complete search history.

(56) **References Cited**

**U.S. PATENT DOCUMENTS**

D448,072 S \* 9/2001 Wakasa ..... D23/351

D469,173 S \* 1/2003 Kawanori et al. .... D23/351  
D539,404 S \* 3/2007 Nagahori ..... D23/351  
D553,720 S \* 10/2007 Kato ..... D23/351  
D553,727 S \* 10/2007 Kato et al. .... D23/351  
D557,781 S \* 12/2007 Kim et al. .... D23/351  
D579,094 S \* 10/2008 Motonishi et al. .... D23/351

\* cited by examiner

*Primary Examiner*—Brian N Vinson

(74) *Attorney, Agent, or Firm*—Morgan Lewis & Bockius LLP

(57) **CLAIM**

We claim the ornamental design for a ceiling air conditioner, as shown and described.

**DESCRIPTION**

FIG. 1 is a perspective view of a ceiling air conditioner showing the new design:

FIG. 2 is a front elevation view thereof;

FIG. 3 is a rear elevation view thereof;

FIG. 4 is a left-side elevation view thereof;

FIG. 5 is a right-side elevation view thereof;

FIG. 6 is a top plan view thereof; and,

FIG. 7 is a bottom plan view thereof.

**1 Claim, 5 Drawing Sheets**

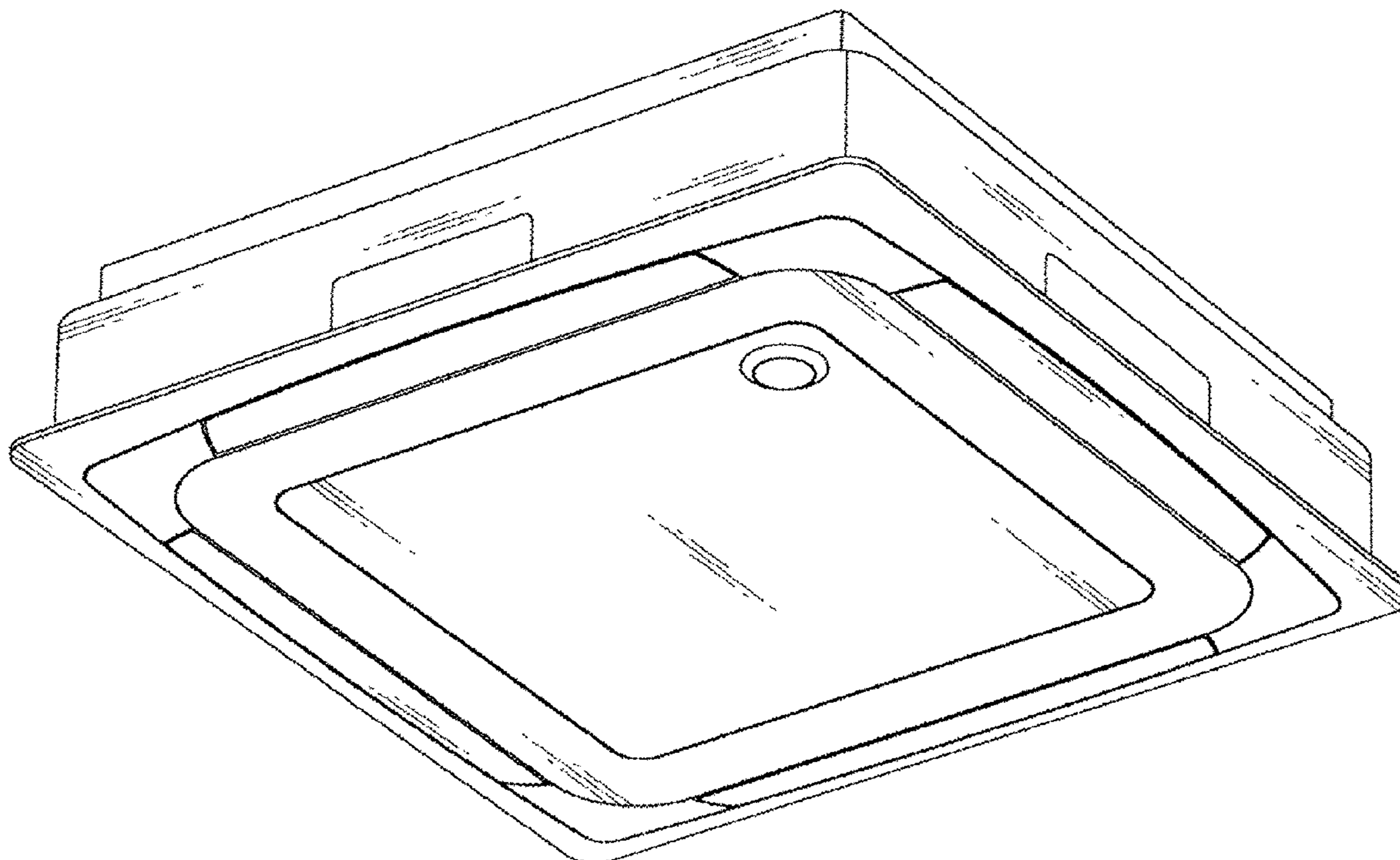


FIG. 1

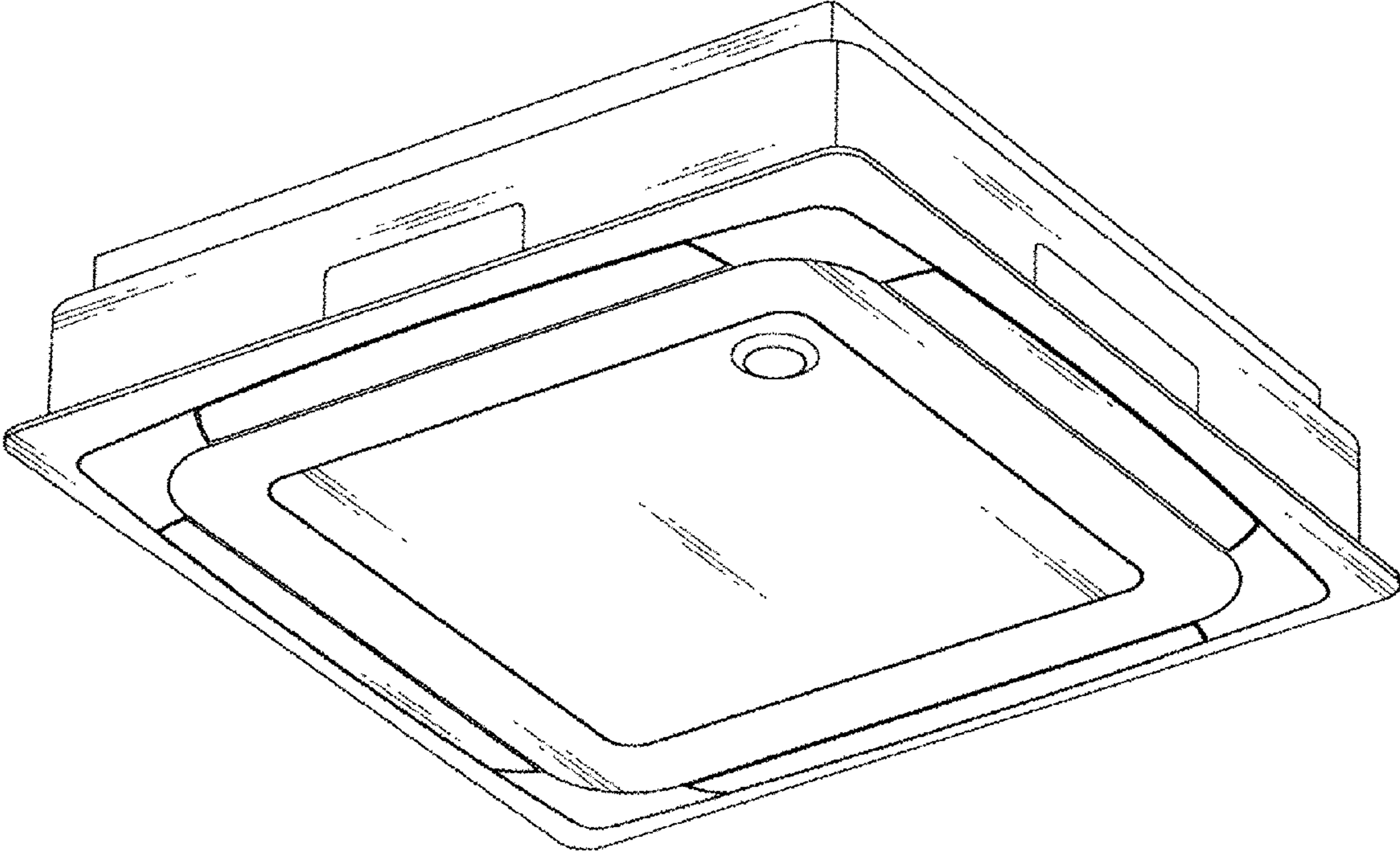


FIG. 2

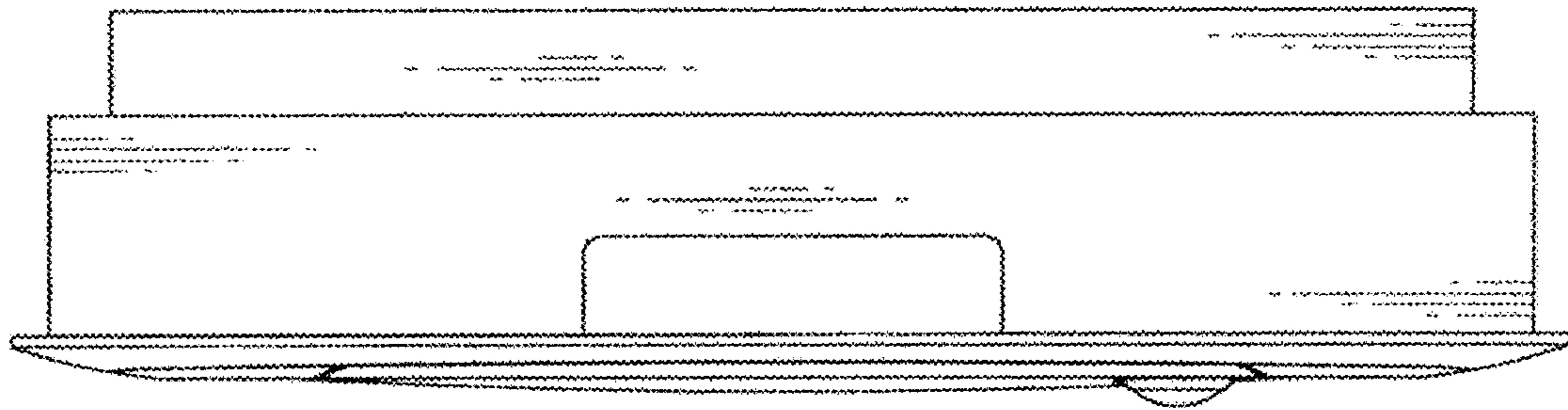


FIG. 3

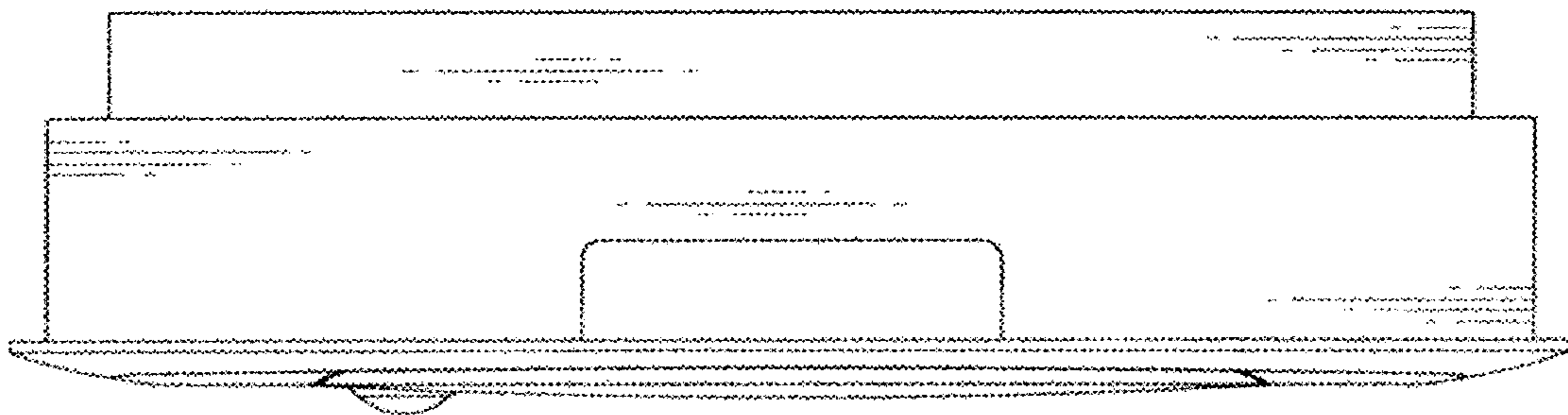


FIG. 4

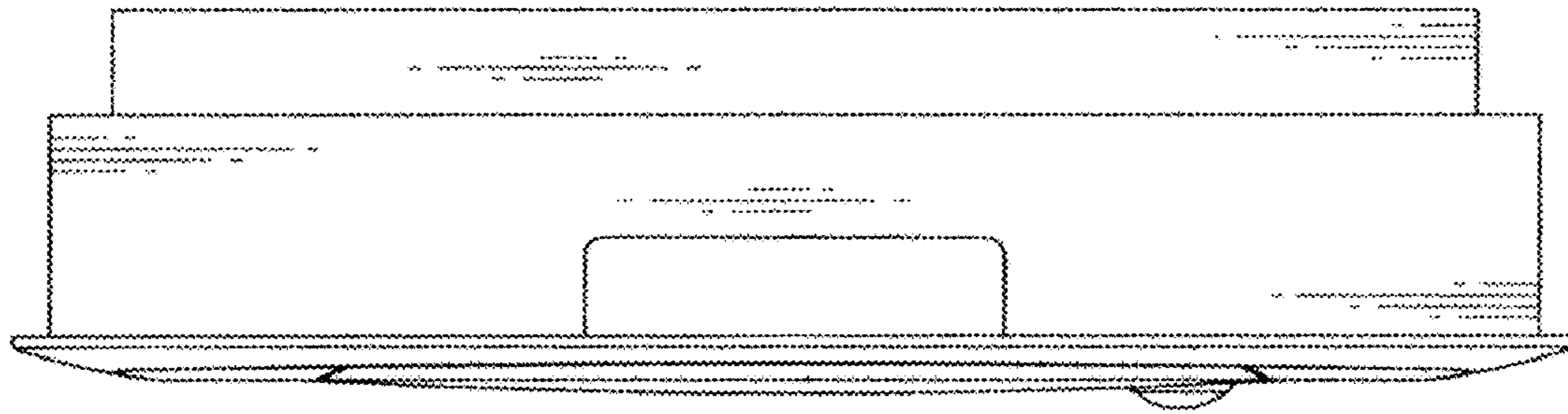


FIG. 5

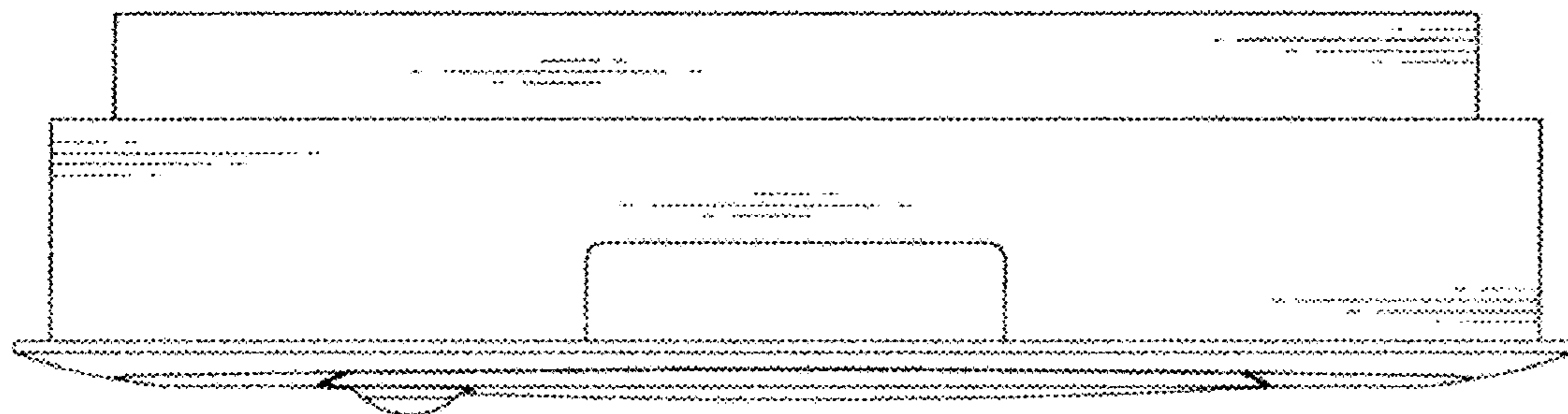


FIG. 6

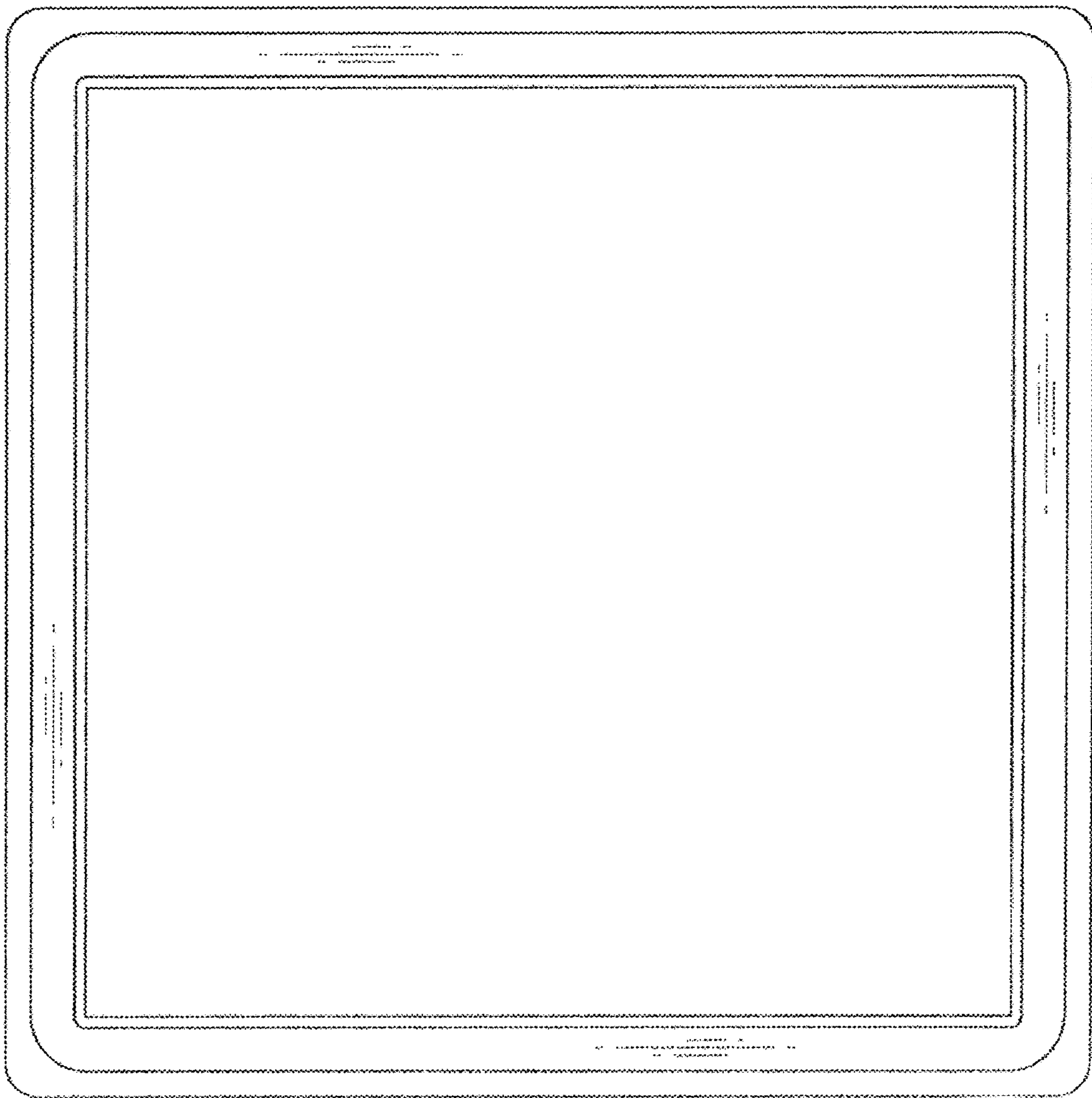


FIG. 7

