



US00D606637S

(12) **United States Design Patent**
Wakabayashi et al.

(10) **Patent No.:** **US D606,637 S**
(45) **Date of Patent:** **** Dec. 22, 2009**

(54) **INFRARED OIL HEATER**

D484,586 S * 12/2003 Intravatora D23/370
D577,173 S * 9/2008 Pitchford et al. D34/12

(75) Inventors: **Hiroaki Wakabayashi**, Shizuoka-ken (JP); **Toshihiko Atsumi**, Shizuoka-ken (JP); **Shougo Yoshioka**, Shizuoka-ken (JP)

* cited by examiner

Primary Examiner—T. Chase Nelson
Assistant Examiner—Ania K Dworzecka
(74) *Attorney, Agent, or Firm*—Arent Fox LLP

(73) Assignee: **Shizuoka Seiki Co., Ltd.**, Shizuoka-Ken (JP)

(**) Term: **14 Years**

(21) Appl. No.: **29/331,944**

(22) Filed: **Feb. 5, 2009**

(30) **Foreign Application Priority Data**

Aug. 27, 2008 (JP) 2008-022003

(51) **LOC (9) Cl.** **23-03**

(52) **U.S. Cl.** **D23/317**

(58) **Field of Classification Search** D23/317,
D23/314, 332, 333, 334, 335, 337, 342, 351,
D23/355, 378, 370, 381, 364, 336, 341; 416/244 R,
416/247 R, 53.1–53.3; 392/365, 367
See application file for complete search history.

(56) **References Cited**

U.S. PATENT DOCUMENTS

D437,036 S * 1/2001 Chen D23/336

(57) **CLAIM**

We claim the ornamental design for a infrared oil heater thereof, as shown and described.

DESCRIPTION

FIG. 1 is a front perspective view for a “infrared oil heater” showing my new design,

FIG. 2 is a front elevation view thereof,

FIG. 3 is a rear elevation view thereof,

FIG. 4 is a top plan view thereof,

FIG. 5 is a bottom plan view thereof,

FIG. 6 is a right-side elevation view thereof; and,

FIG. 7 is a left-side elevation view thereof.

The broken line showing of portions of the heater in FIGS. 3 and 4 is for the purpose of illustrating the unclaimed portion and forms no part of the claimed design.

1 Claim, 7 Drawing Sheets

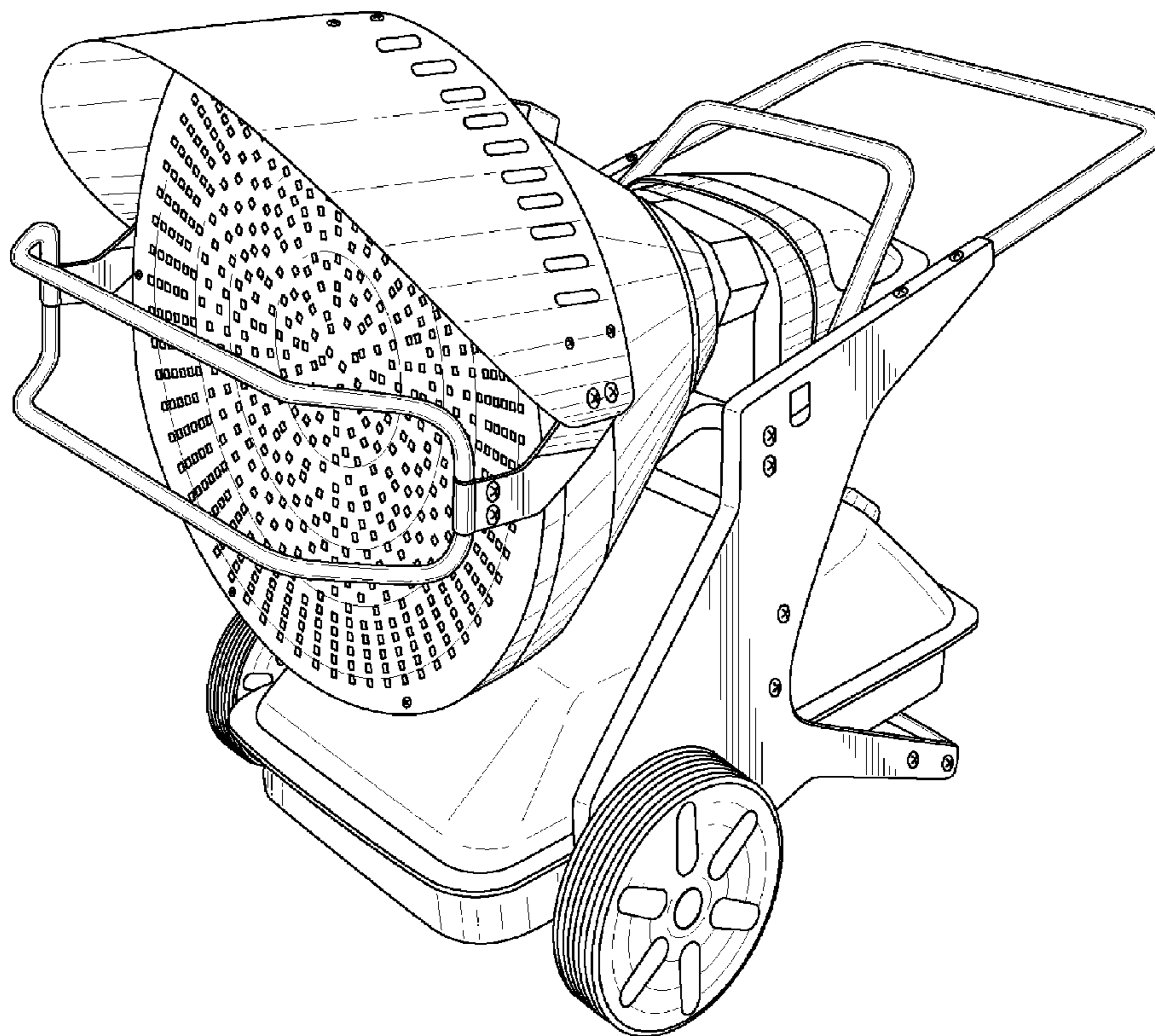


FIG. 1

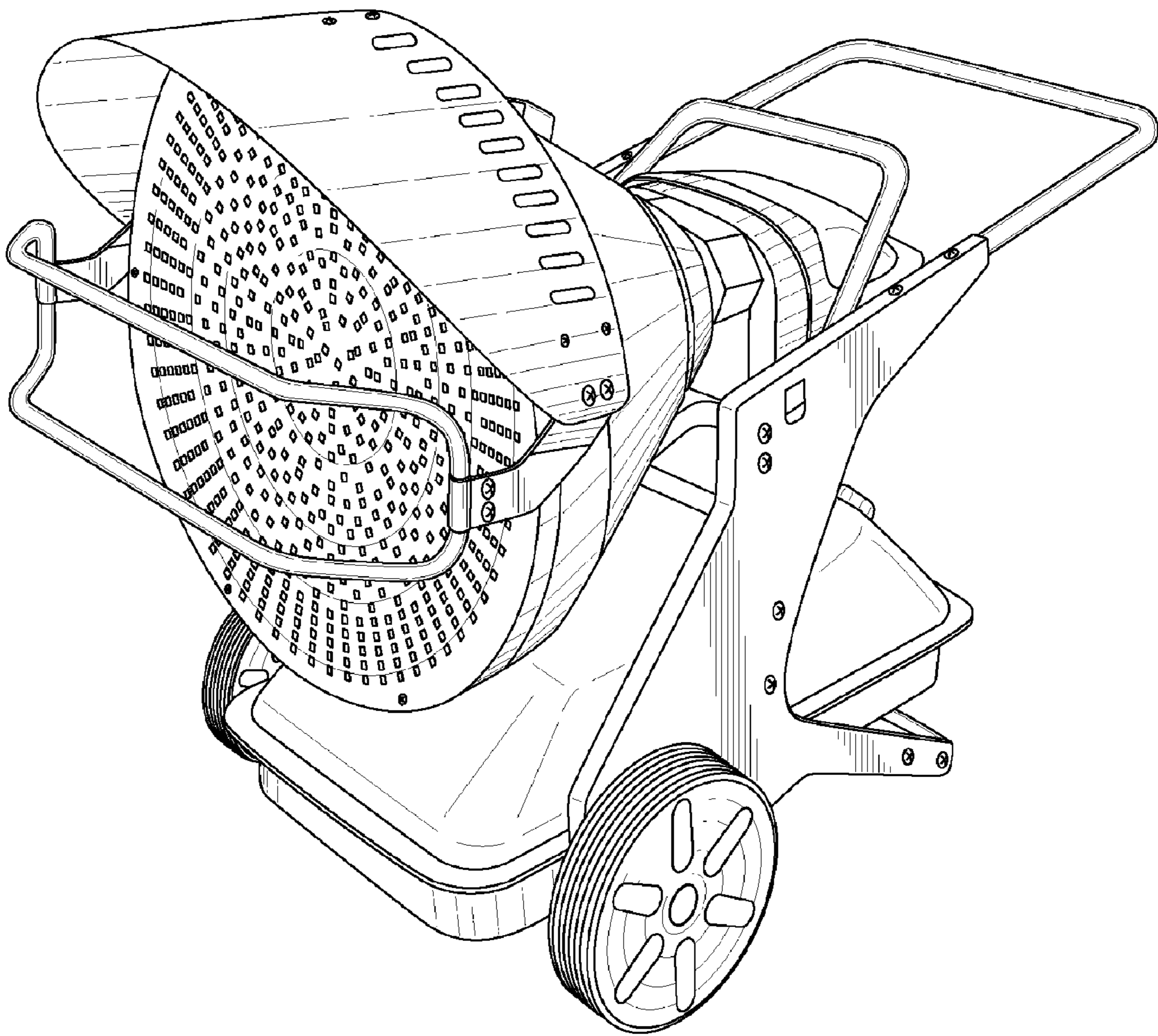


FIG. 2

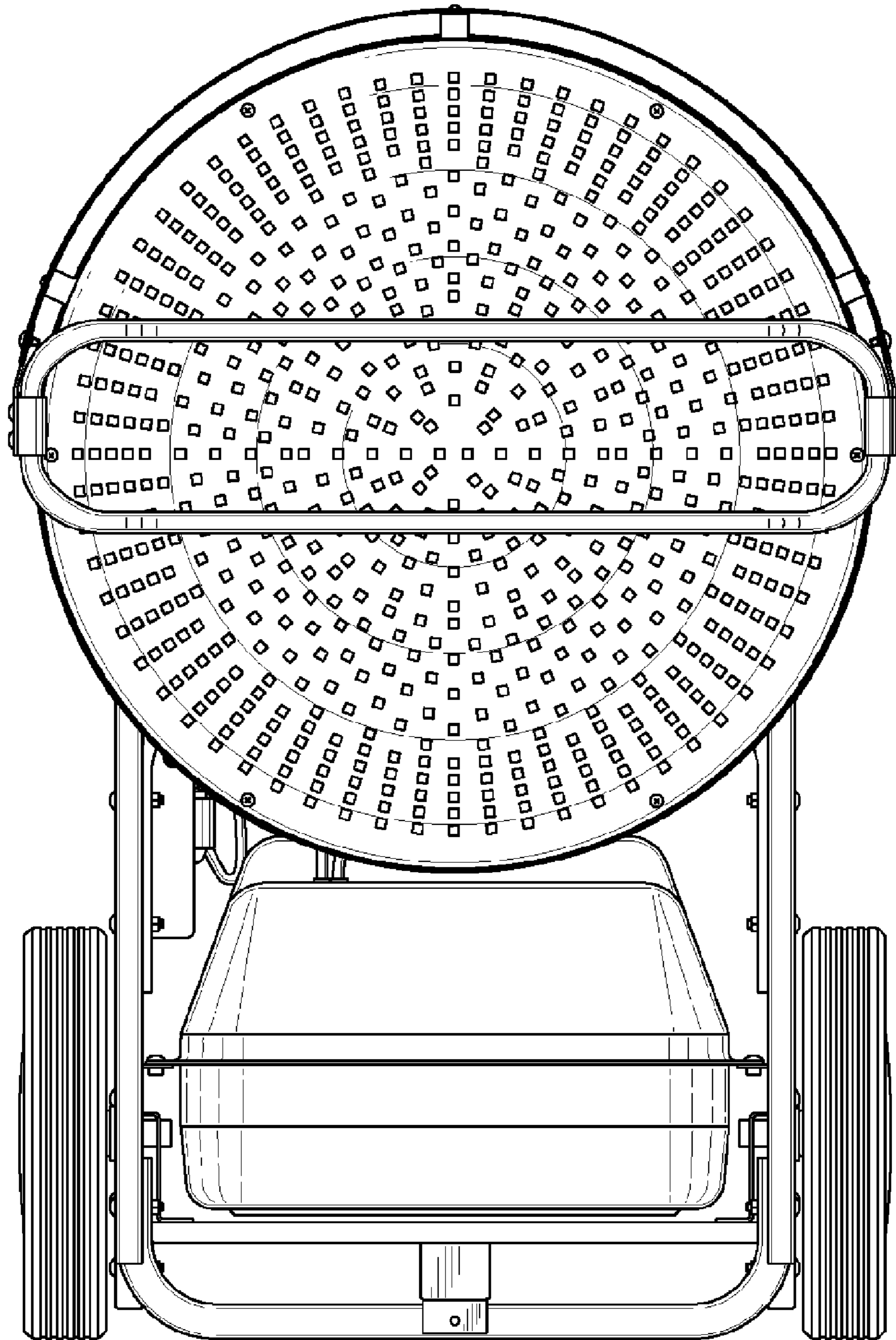


FIG. 3

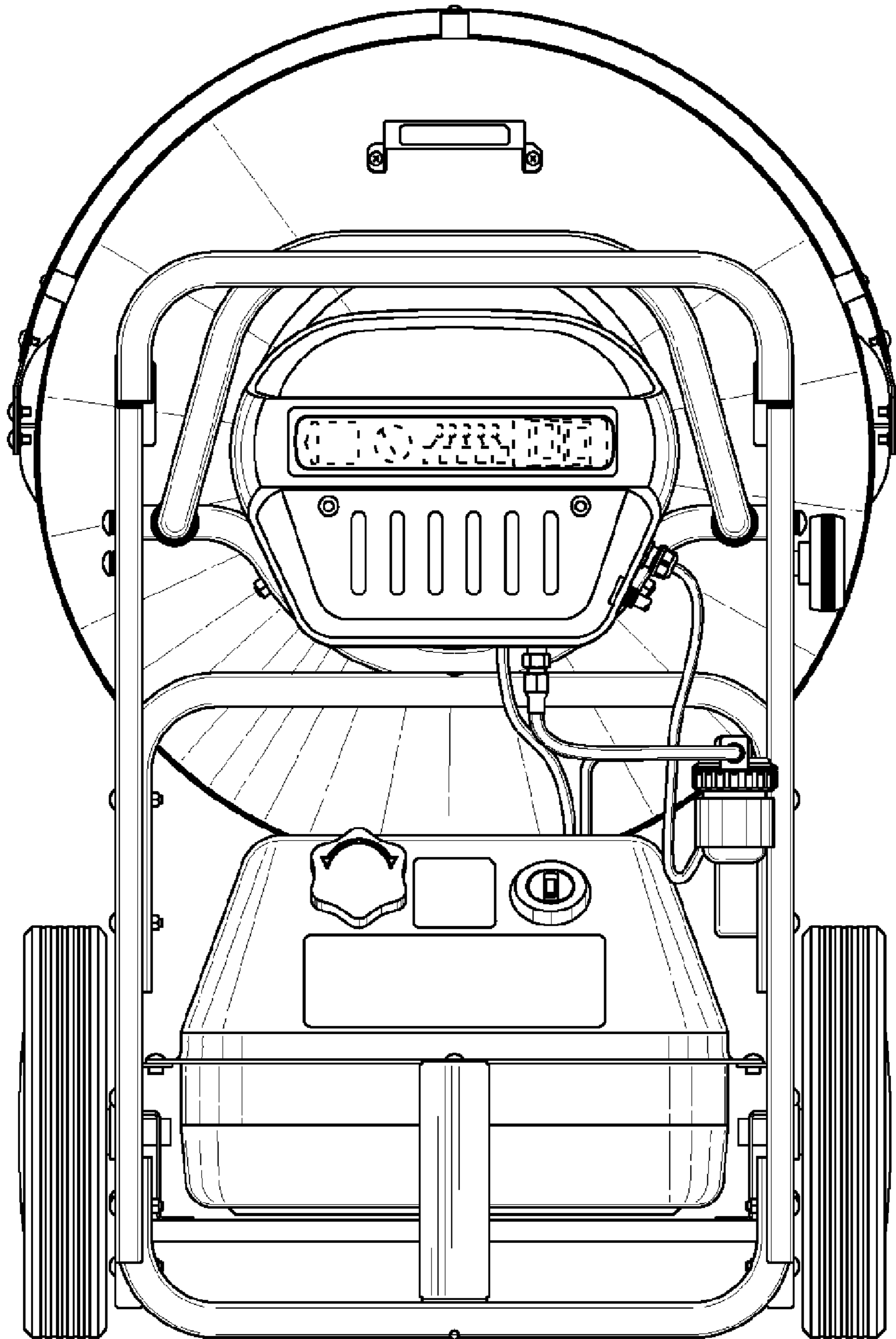


FIG.4

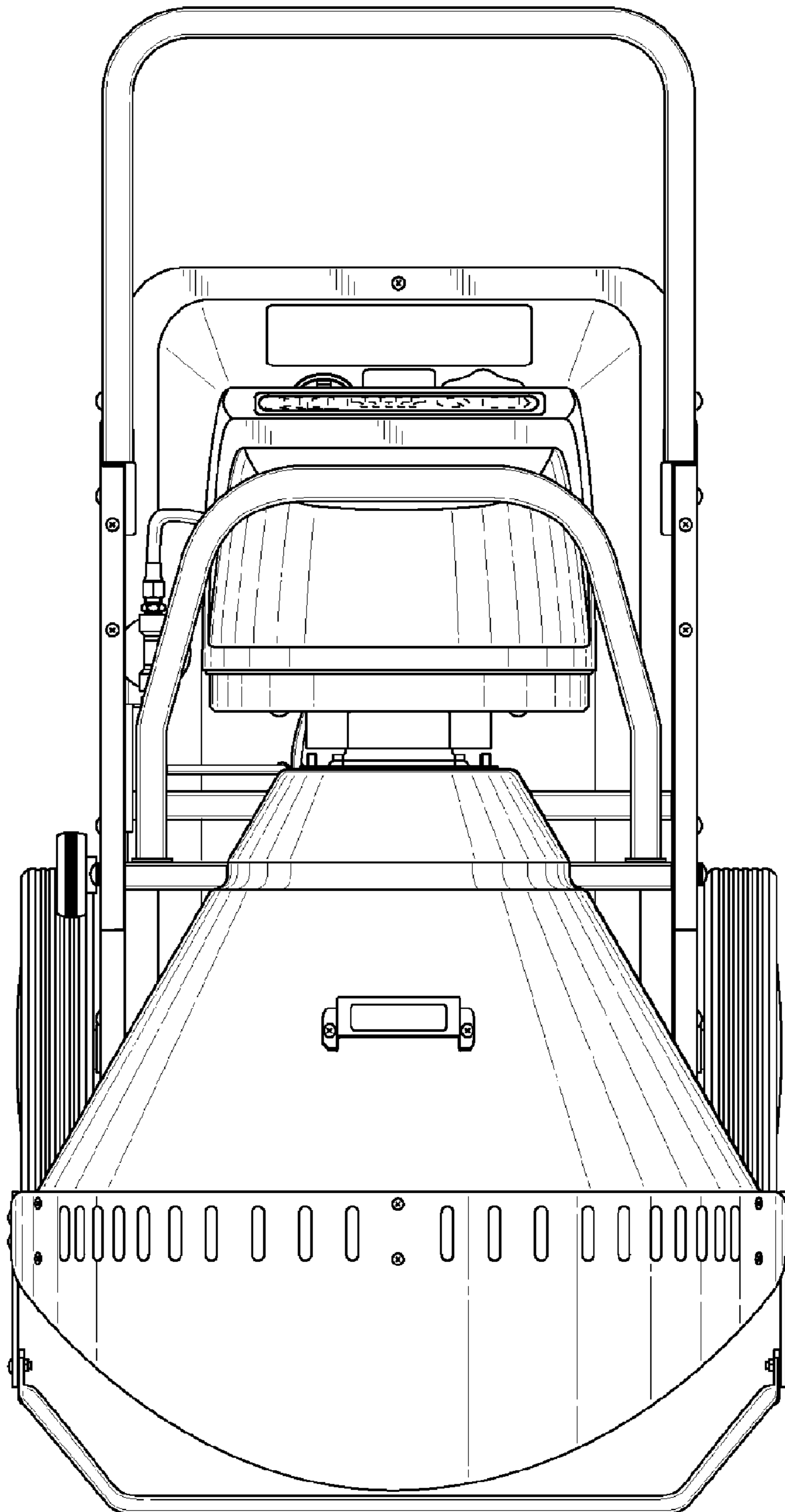


FIG. 5

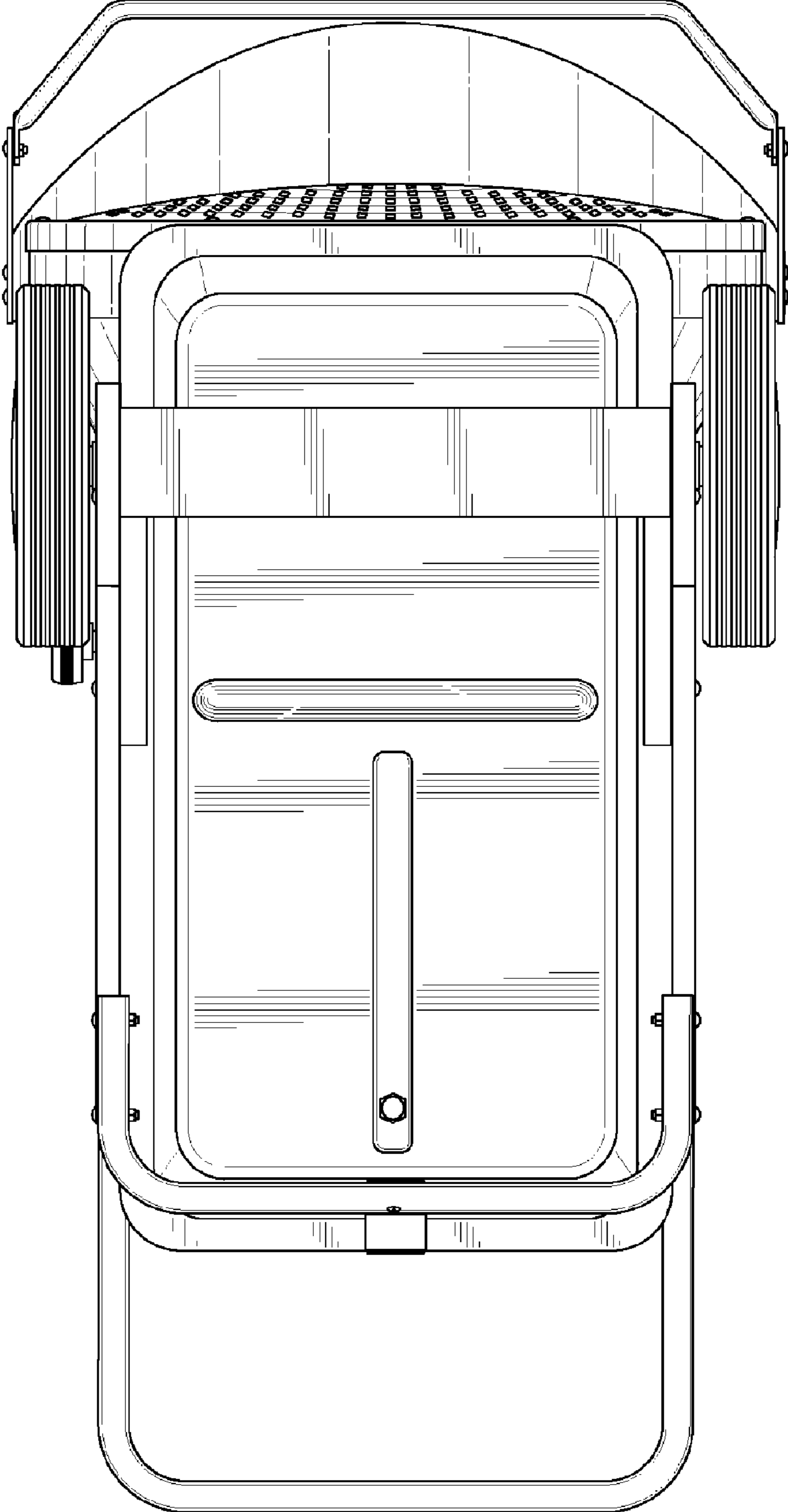


FIG.6

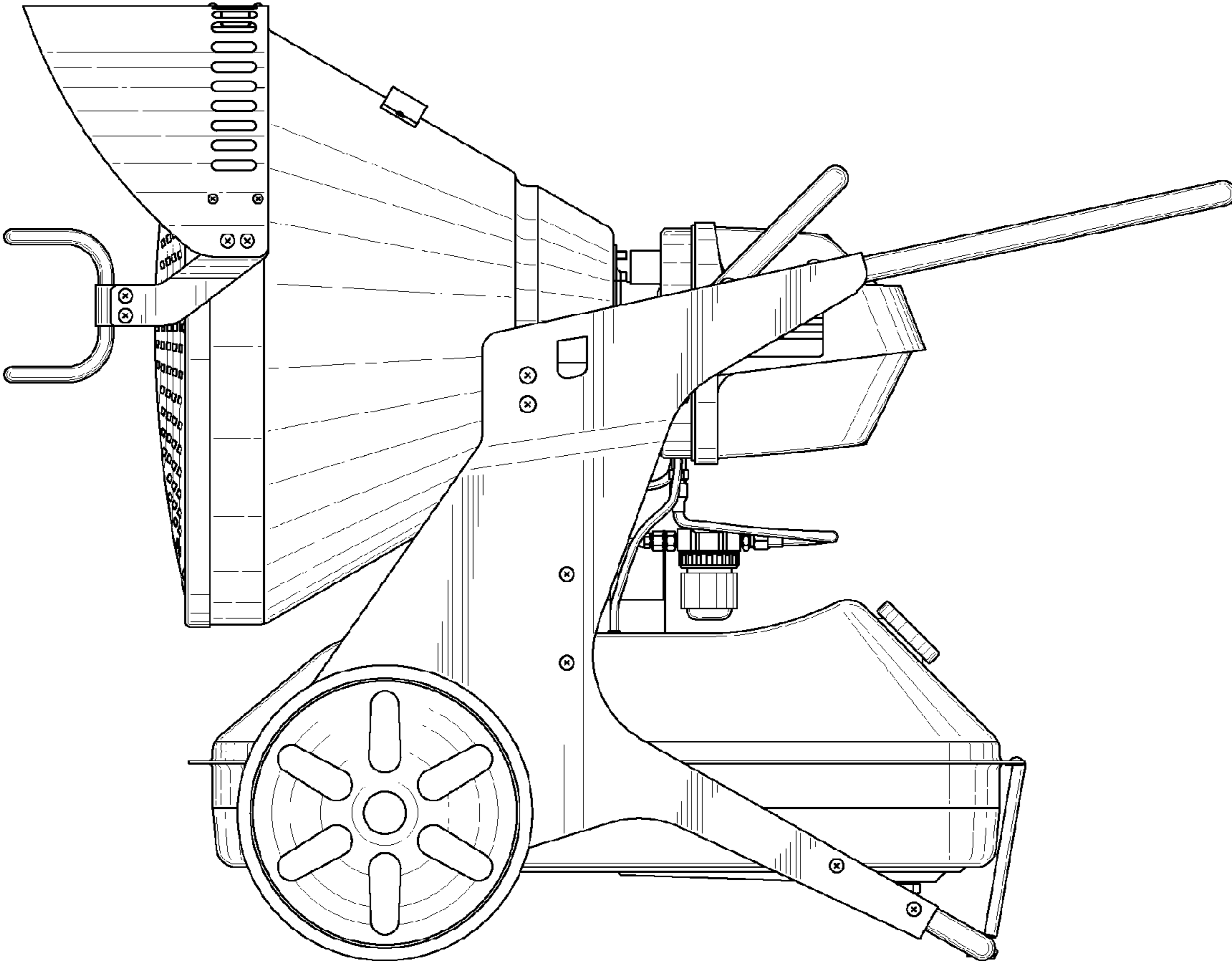


FIG. 7

