



US00D606630S

(12) **United States Design Patent**
Gaertner

(10) **Patent No.:** **US D606,630 S**

(45) **Date of Patent:** **** Dec. 22, 2009**

(54) **SWITCHING VALVE**

(75) Inventor: **Frank Th. Gaertner**, Mannheim (DE)

(73) Assignee: **Buerkert Werke GmbH & Co. KG**
(DE)

(**) Term: **14 Years**

(21) Appl. No.: **29/247,313**

(22) Filed: **Jun. 9, 2006**

(30) **Foreign Application Priority Data**

Dec. 9, 2005 (DE) 405 06 320

(51) **LOC (9) Cl.** **23-01**

(52) **U.S. Cl.** **D23/244**

(58) **Field of Classification Search** D23/233-237,
D23/244-249; 137/309-311, 246, 222, 538,
137/597, 625.11, 625.46, 625.64, 625.68,
137/625.65, 460, 498, 881, 883, 870; 251/174,
251/304, 297; 62/324.1, 324.6

See application file for complete search history.

(56) **References Cited**

U.S. PATENT DOCUMENTS

3,779,268 A * 12/1973 Conkling 137/113
3,857,410 A * 12/1974 Bedo et al. 137/625.27
4,442,864 A * 4/1984 Kosugi 137/625.27
D287,044 S * 12/1986 Hughes D23/248

4,842,016 A * 6/1989 McKenzie 137/597
5,088,194 A * 2/1992 Lasko 29/890.148
5,878,782 A * 3/1999 Nakajima 137/625.65
5,881,770 A * 3/1999 Neill et al. 137/625.11
7,028,713 B2 * 4/2006 Koyama 137/881
7,117,895 B2 * 10/2006 Koyama 137/881
D558,859 S * 1/2008 Kato et al. D23/233

* cited by examiner

Primary Examiner—Cathron C. Brooks

Assistant Examiner—Maurice Stevens

(74) *Attorney, Agent, or Firm*—Hayes Soloway P.C.

(57) **CLAIM**

An ornamental design for a switching valve, as shown and described.

DESCRIPTION

FIG. 1 is a side elevational view of a switching valve showing my new design;

FIG. 2 is a view similar to FIG. 1 rotated 180 degrees;

FIG. 3 is a view similar to FIG. 1 rotated 270 degrees;

FIG. 4 is a view similar to FIG. 1 rotated 90 degrees;

FIG. 5 is a top plan view thereof; and,

FIG. 6 is a bottom plan view thereof.

The broken lines shown in the drawings represent unclaimed portions of the switching valve and form no part thereof.

1 Claim, 5 Drawing Sheets

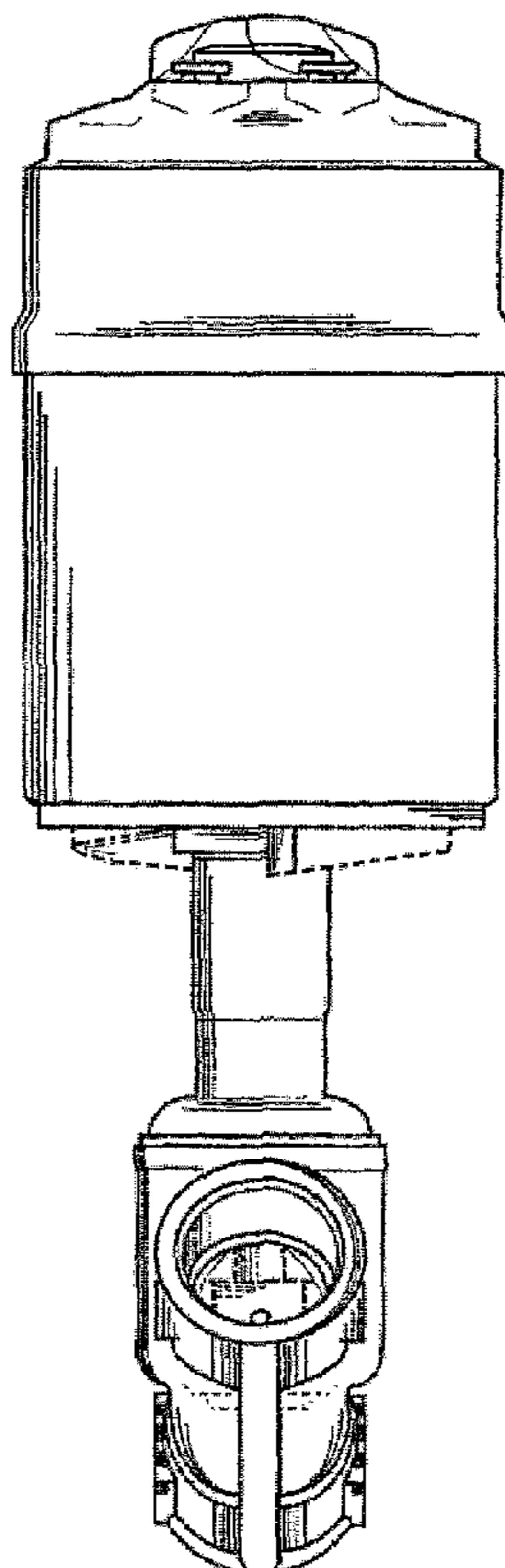


FIG. 1

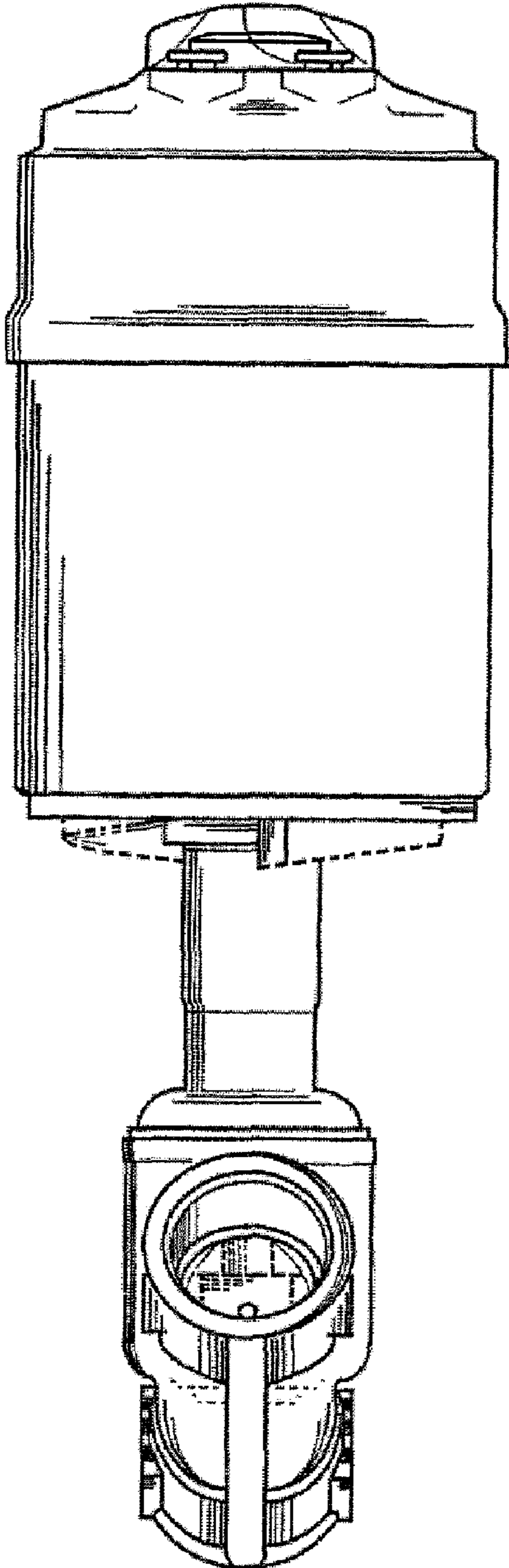


FIG. 2

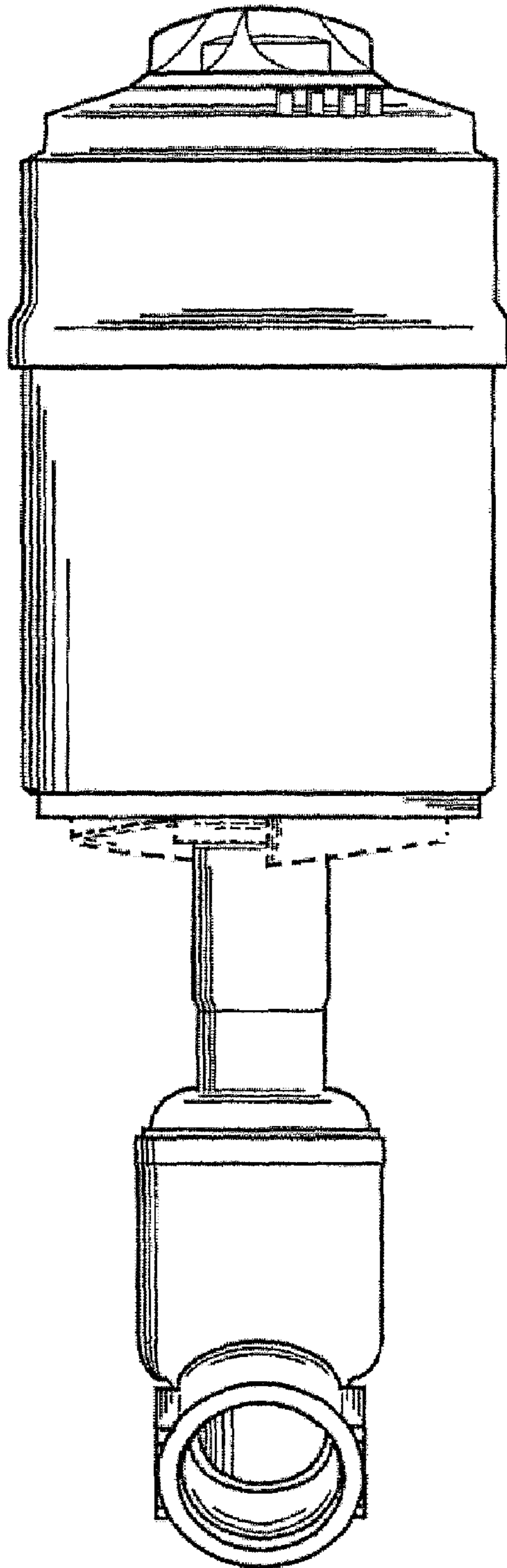


FIG. 3

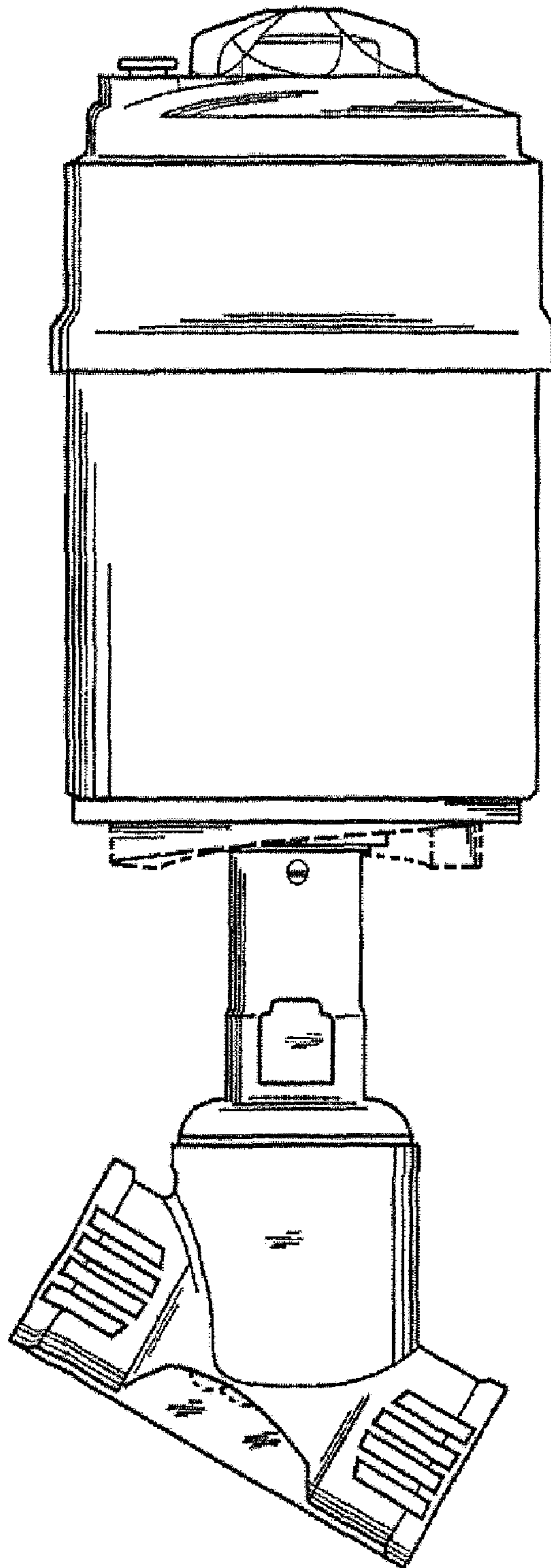


FIG. 4

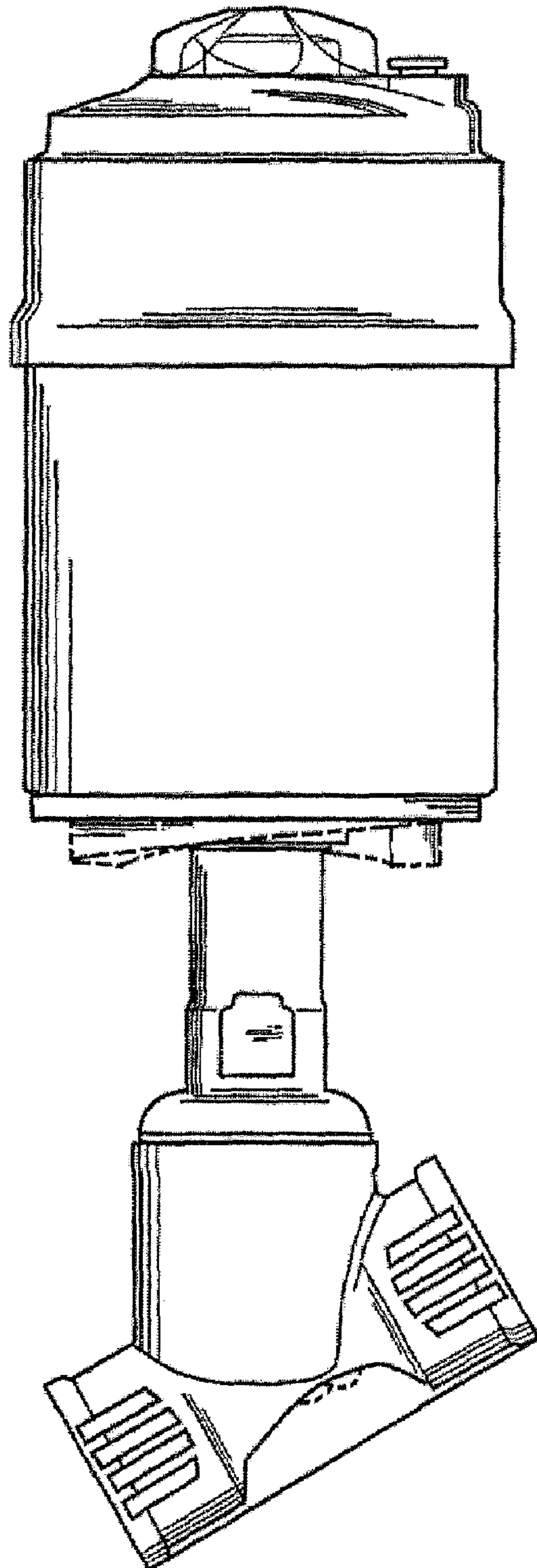


FIG. 5

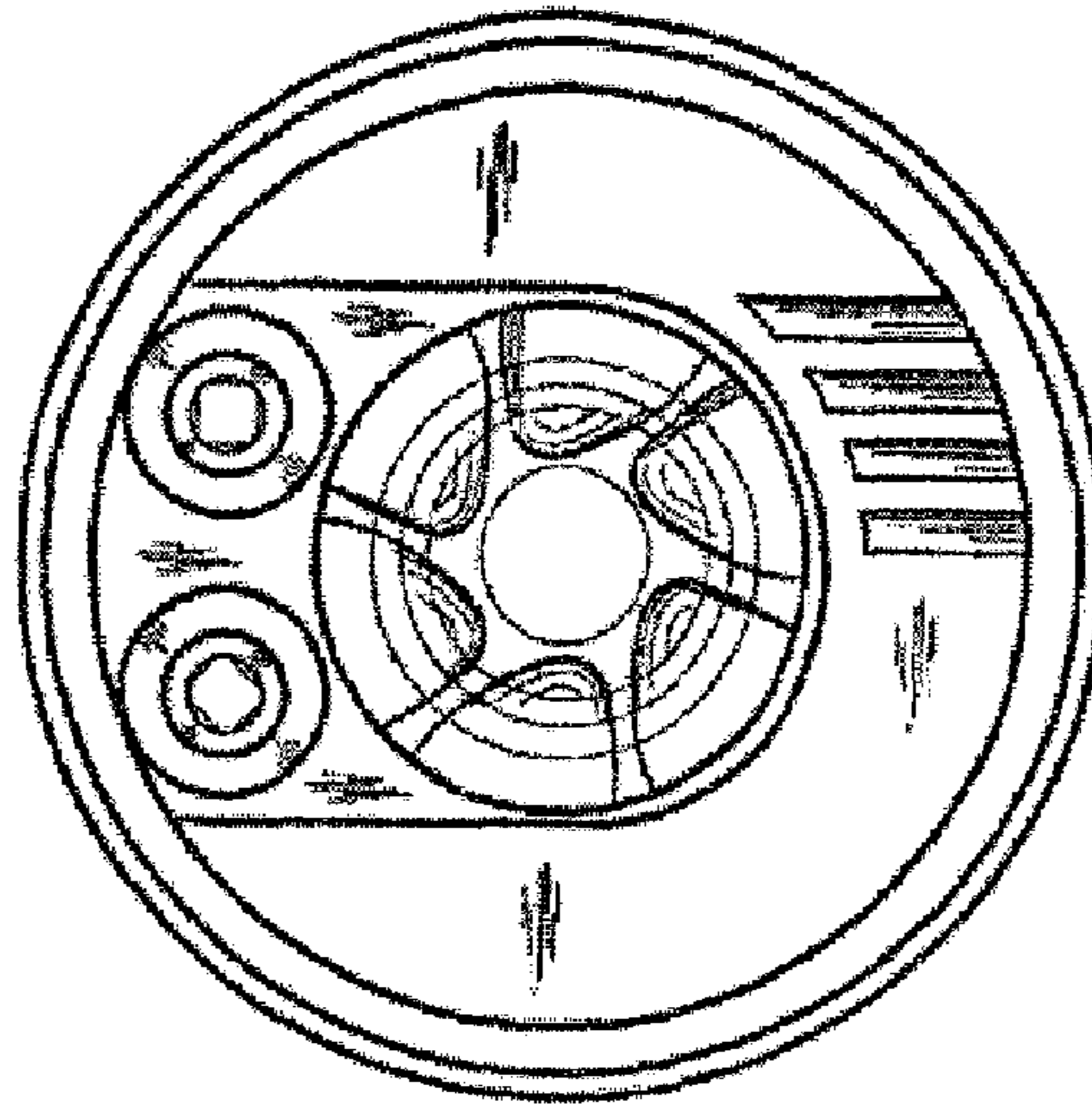


FIG. 6

