

US00D606629S

(12) **United States Design Patent**
Tokumoto

(10) **Patent No.:** **US D606,629 S**

(45) **Date of Patent:** **** Dec. 22, 2009**

(54) **FLUID PRESSURE CYLINDER**

(75) Inventor: **Shioto Tokumoto**, Tsukubamirai (JP)

(73) Assignee: **SMC Corporation**, Chiyoda-ku, Tokyo (JP)

(**) Term: **14 Years**

(21) Appl. No.: **29/288,135**

(22) Filed: **May 31, 2007**

(30) **Foreign Application Priority Data**

Dec. 5, 2006 (JP) 2006-033582

(51) **LOC (9) Cl.** **23-01**

(52) **U.S. Cl.** **D23/233**

(58) **Field of Classification Search** D23/233-237,
D23/244-249; D10/85; D15/7, 143, 148;
91/394, 395, 407, 408; 92/5 L, 15-17, 21 MR,
92/28, 51-52, 68, 88, 128, 137, 143, 165 PR,
92/168, 169, 177; 137/625.64, 625.65, 596.13,
137/506.16, 271, 343

See application file for complete search history.

(56) **References Cited**

U.S. PATENT DOCUMENTS

D500,259 S * 12/2004 Kita et al. D10/85

D522,090 S * 5/2006 Matsumoto et al. D23/233

D556,860 S * 12/2007 Yokohari D23/233

D556,861 S * 12/2007 Yokohari D23/233

D556,862 S * 12/2007 Yokohari D23/233

D575,175 S * 8/2008 Suzuki D10/85

* cited by examiner

Primary Examiner—Cathron C. Brooks

Assistant Examiner—Maurice Stevens

(74) *Attorney, Agent, or Firm*—Yokoi & Co., U.S.A., Inc.;
Peter Ganjian

(57) **CLAIM**

The ornamental design for a fluid pressure cylinder, as shown and described.

DESCRIPTION

FIG. 1 shows a front view of a fluid pressure cylinder showing my new design;

FIG. 2 shows a rear view thereof;

FIG. 3 shows a top view thereof;

FIG. 4 shows a bottom view thereof;

FIG. 5 shows a right side view thereof; and,

FIG. 6 shows a perspective side view thereof.

1 Claim, 3 Drawing Sheets

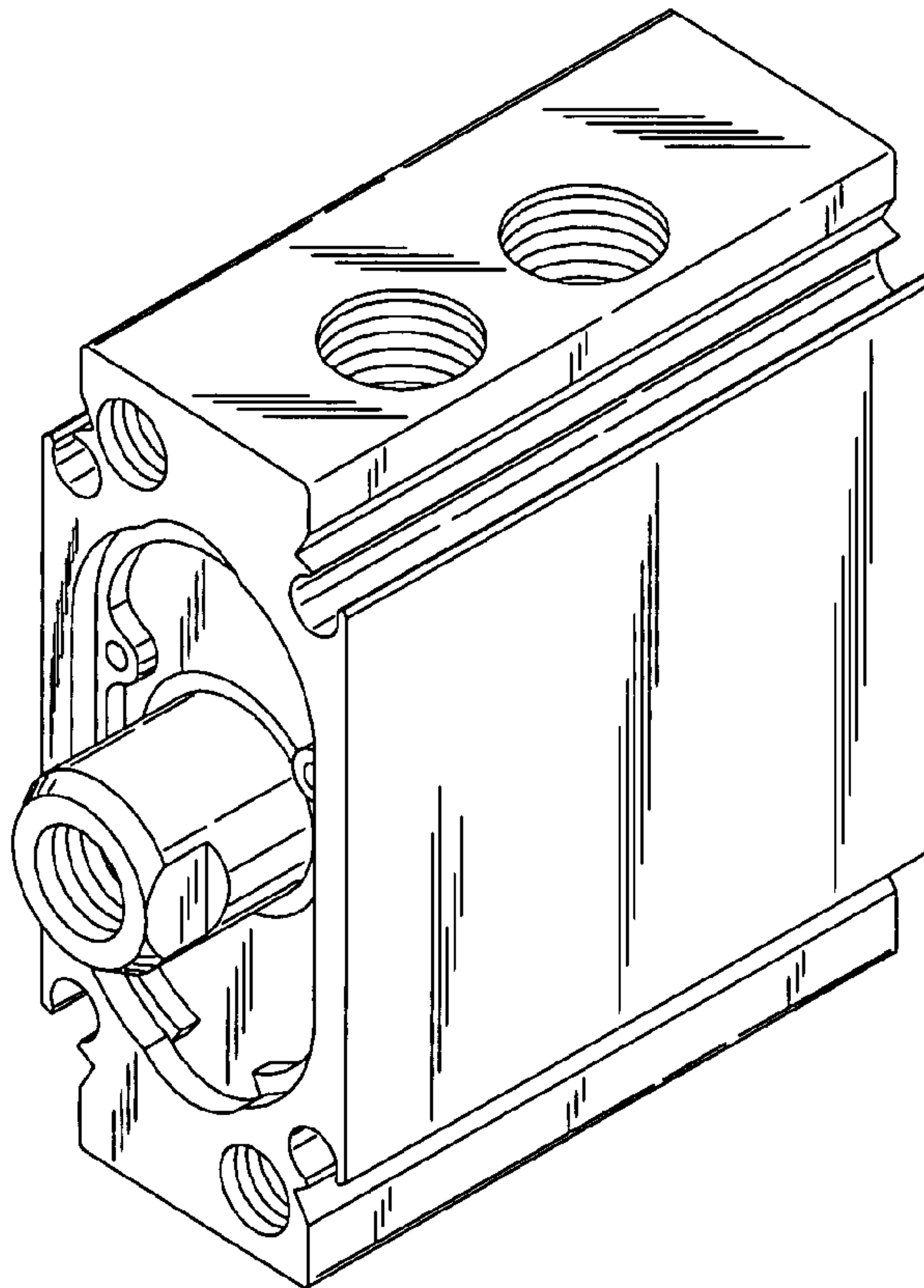


FIG. 1

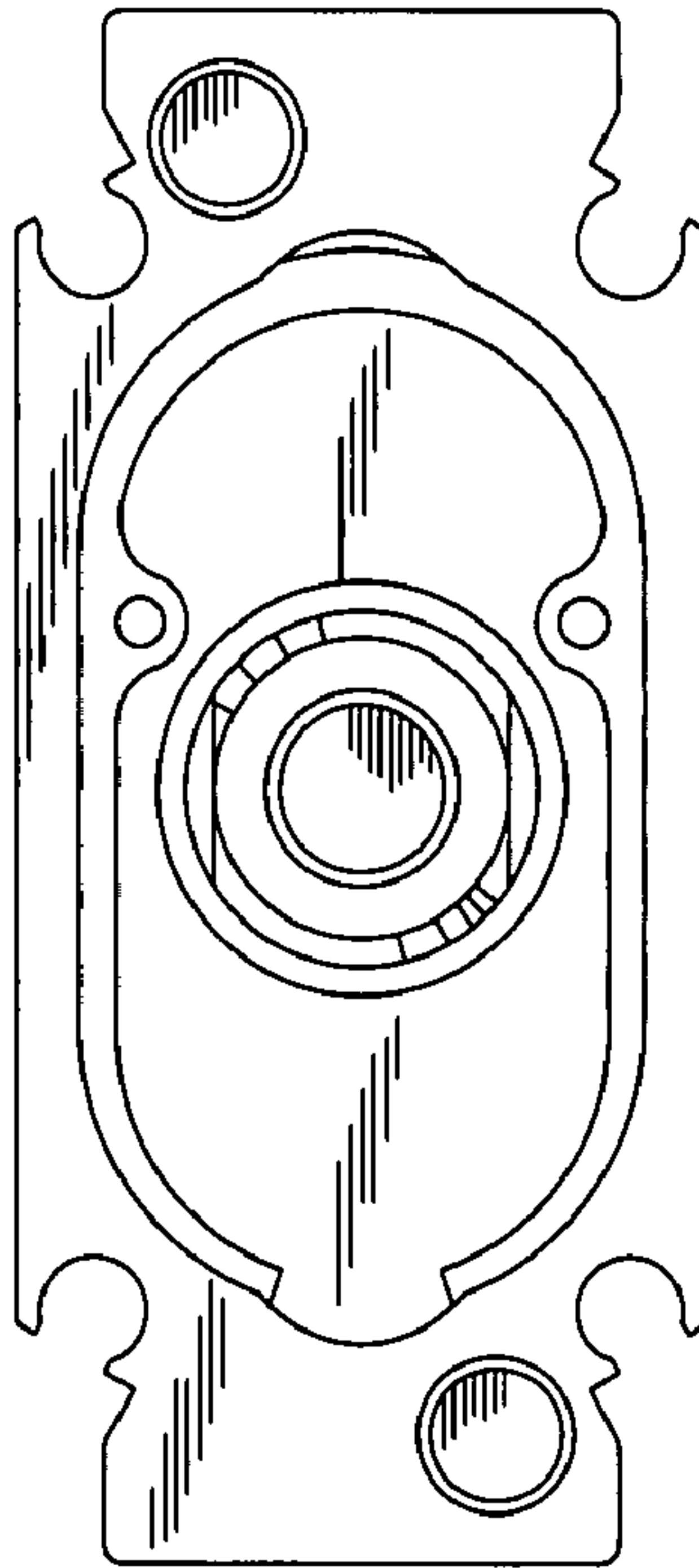


FIG. 2

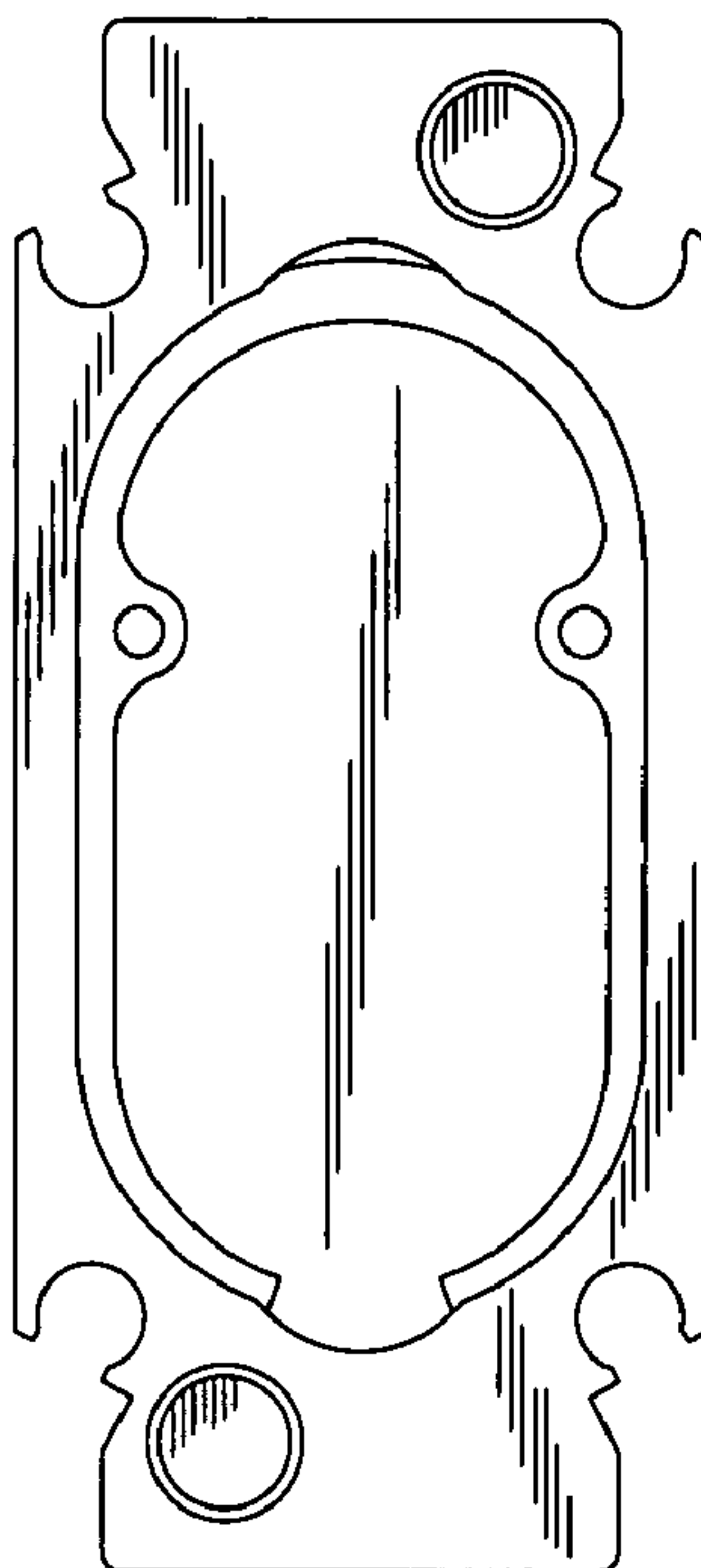


FIG. 3

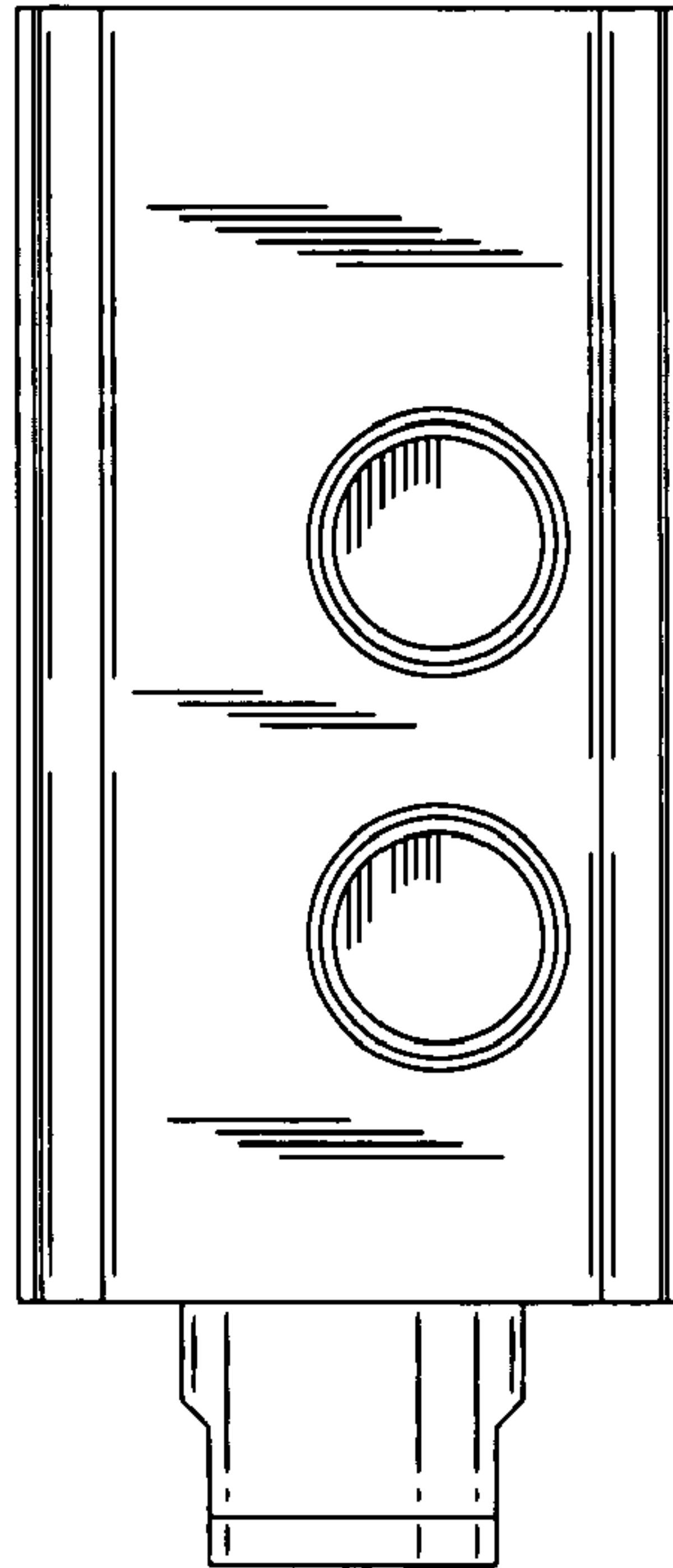


FIG. 4

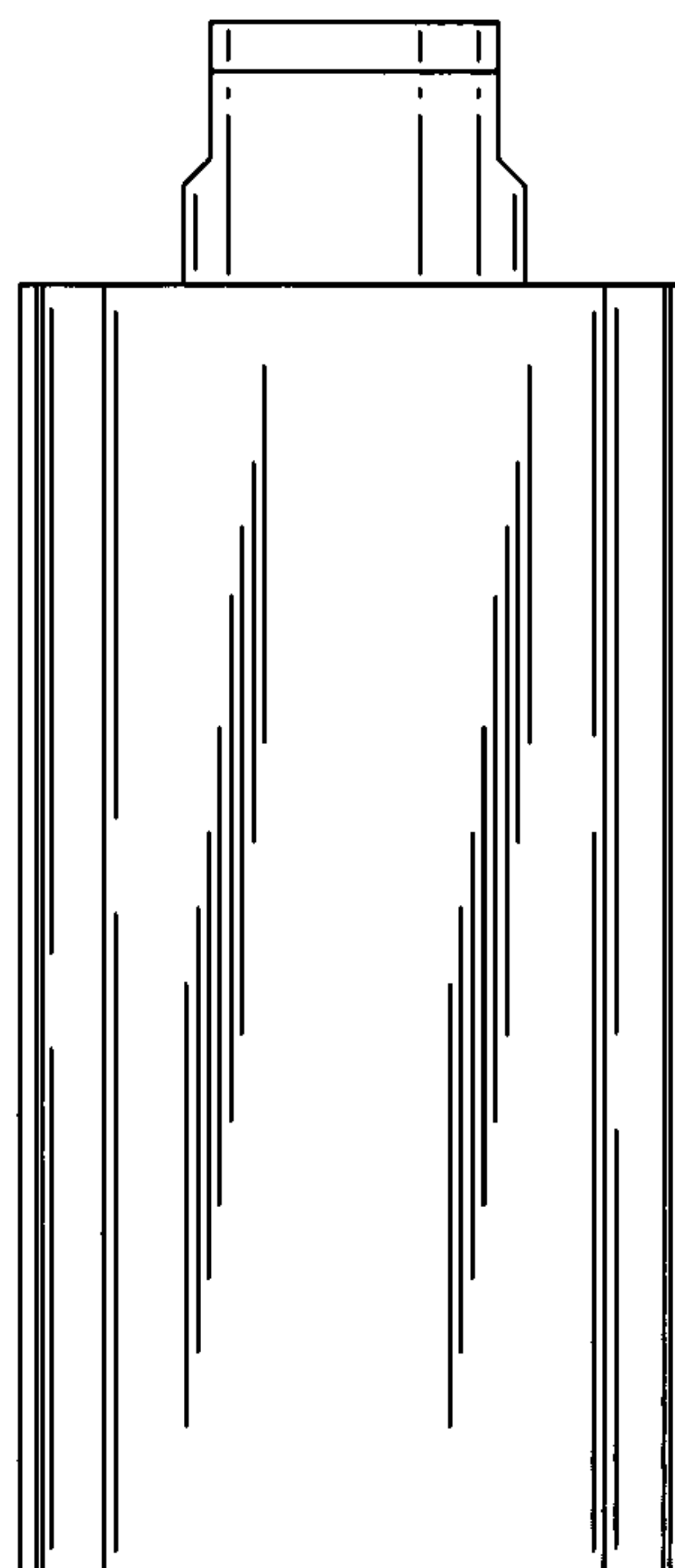


FIG. 5

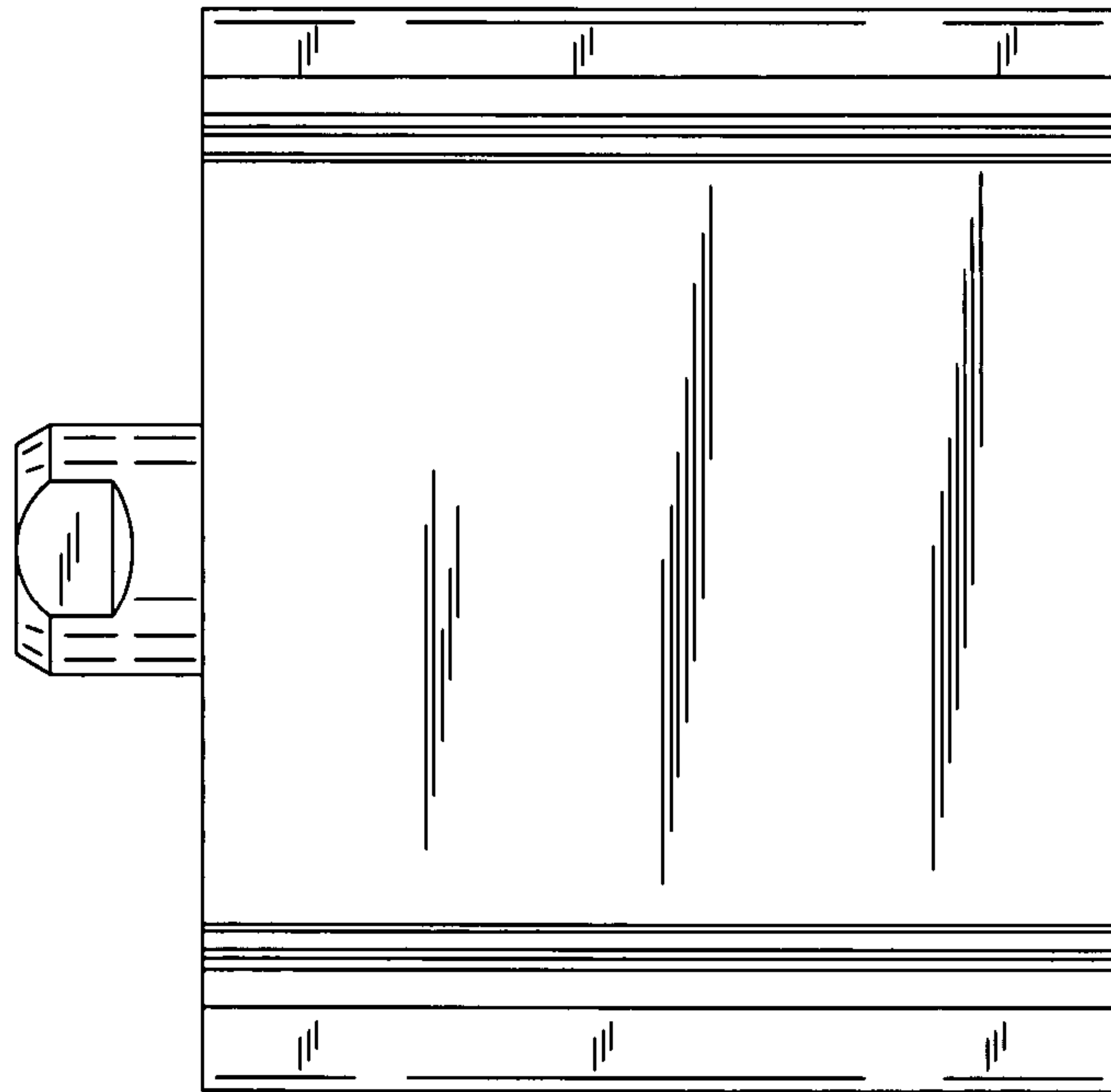


FIG. 6

