



US00D606627S

(12) **United States Design Patent**
Urquiola

(10) **Patent No.:** **US D606,627 S**

(45) **Date of Patent:** **** Dec. 22, 2009**

(54) **SHOWER UNIT**

(75) Inventor: **Patricia Urquiola**, Milan (IT)

(73) Assignee: **Hansgrohe AG**, Schiltach (DE)

(**) Term: **14 Years**

(21) Appl. No.: **29/333,597**

(22) Filed: **Mar. 12, 2009**

(30) **Foreign Application Priority Data**

Sep. 23, 2008 (EM) 001007330-0009

(51) **LOC (9) Cl.** **23-01**

(52) **U.S. Cl.** **D23/228; D23/304**

(58) **Field of Classification Search** D23/213,
D23/223, 229-230, 228, 303, 304; 4/615,
4/570, 596, 597; 239/282-283, 394
See application file for complete search history.

(56) **References Cited**

U.S. PATENT DOCUMENTS

- D477,657 S * 7/2003 Toyohara D23/304
- D527,792 S * 9/2006 Hoernig D23/228
- D532,079 S * 11/2006 Dugar D23/228

- D542,395 S * 5/2007 Bosio D23/304
- D564,625 S * 3/2008 Bickler et al. D23/228
- D589,117 S * 3/2009 Bardsley et al. D23/228

* cited by examiner

Primary Examiner—Robin V Webster

(74) *Attorney, Agent, or Firm*—Nirav D. Parikh; Edgar A. Zarins

(57) **CLAIM**

The ornamental design for a shower unit, as shown and described.

DESCRIPTION

FIG. 1 is a front perspective view of a shower unit showing my design;

FIG. 2 is a front elevational view thereof;

FIG. 3 is a left side elevational view thereof;

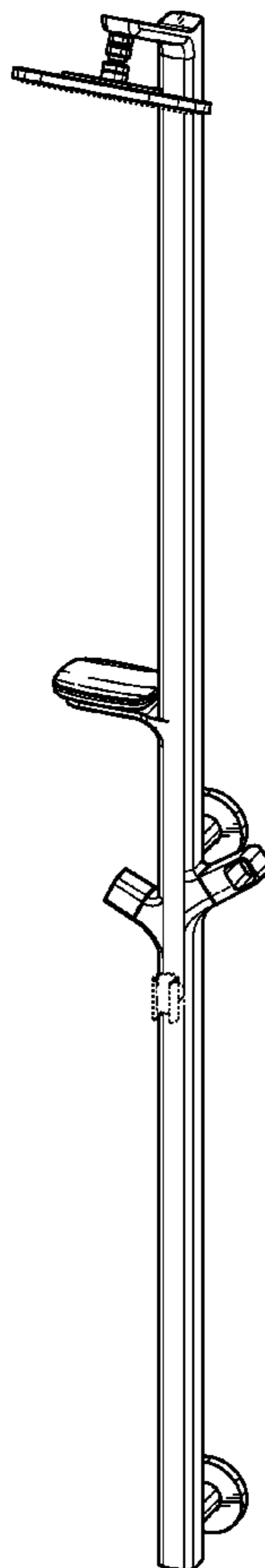
FIG. 4 is a right side elevational view thereof;

FIG. 5 is a top plan view thereof; and,

FIG. 6 is a bottom plan view thereof.

The broken lines in the drawings represent unclaimed portions of the design and form no part thereof.

1 Claim, 6 Drawing Sheets



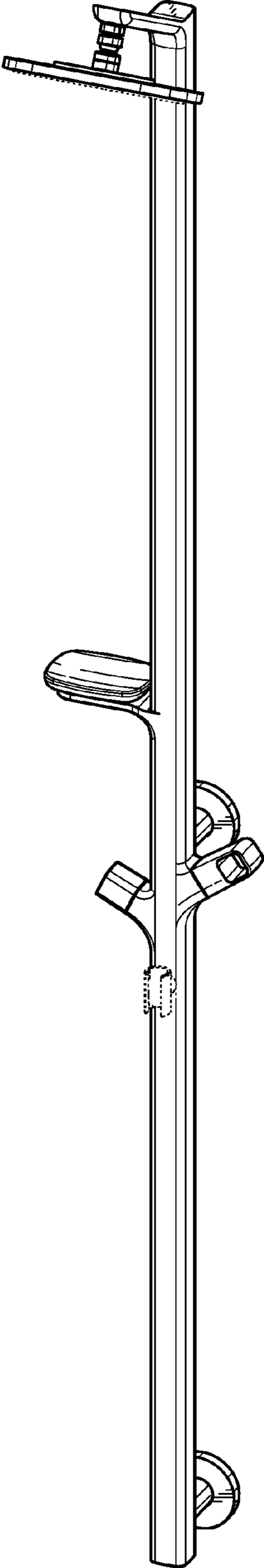


FIG. 1

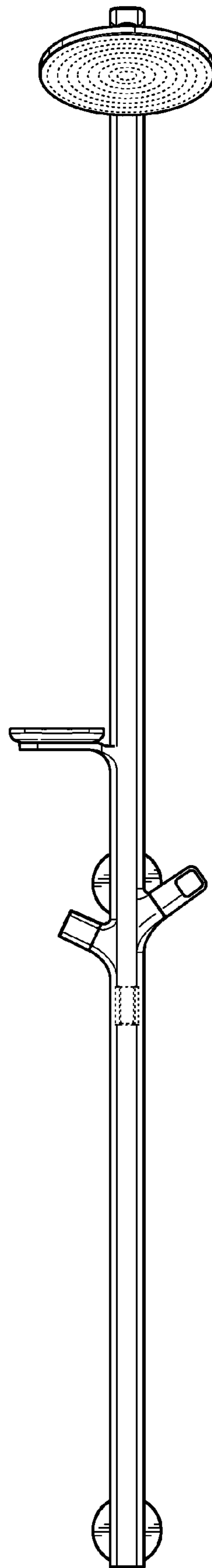


FIG. 2

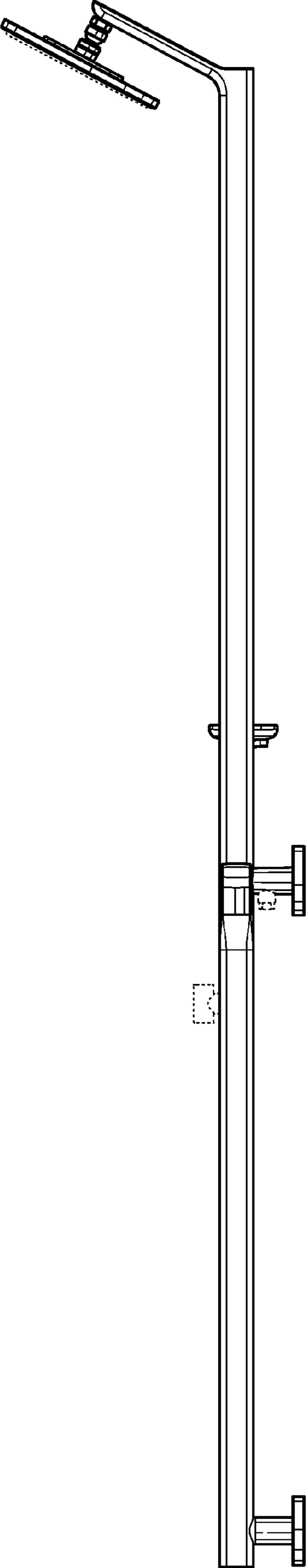


FIG. 3

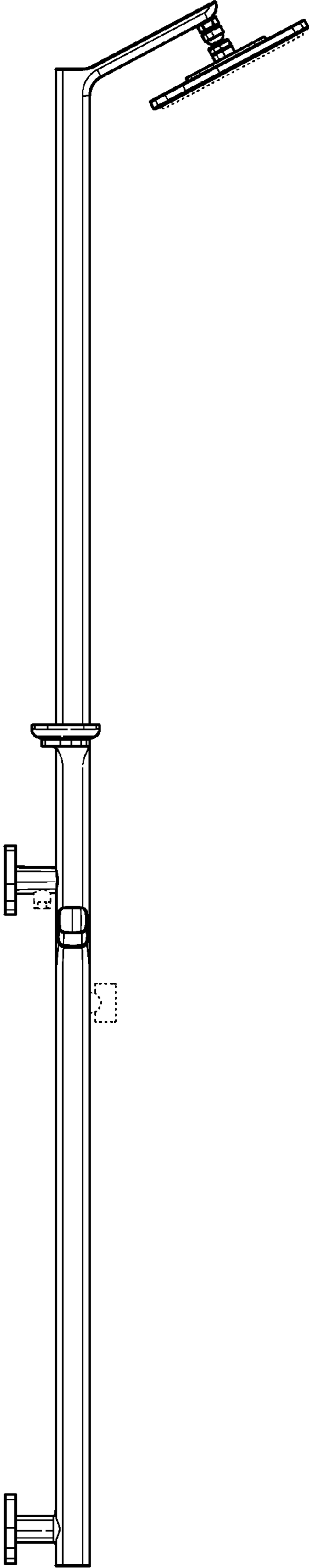


FIG. 4

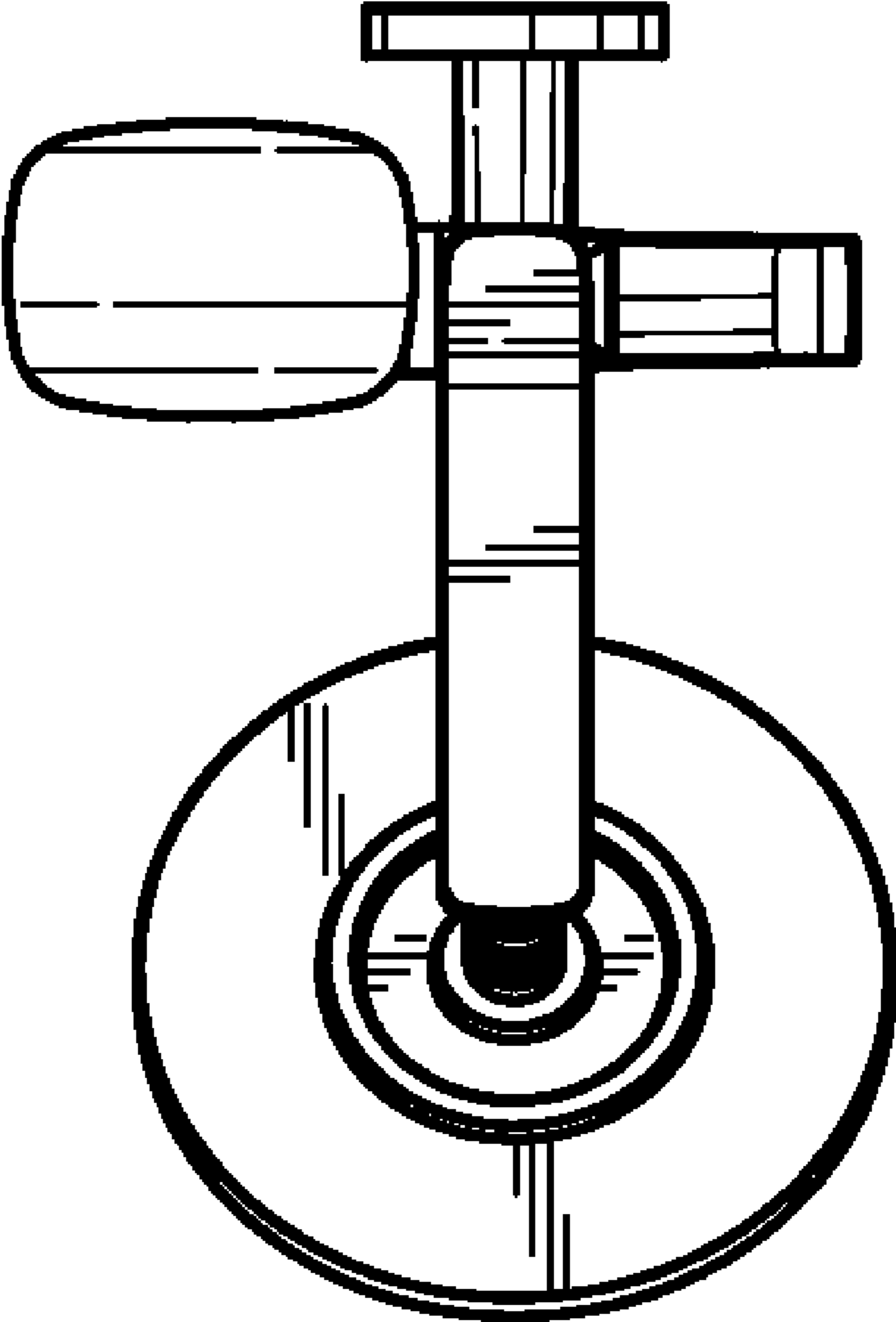


FIG. 5

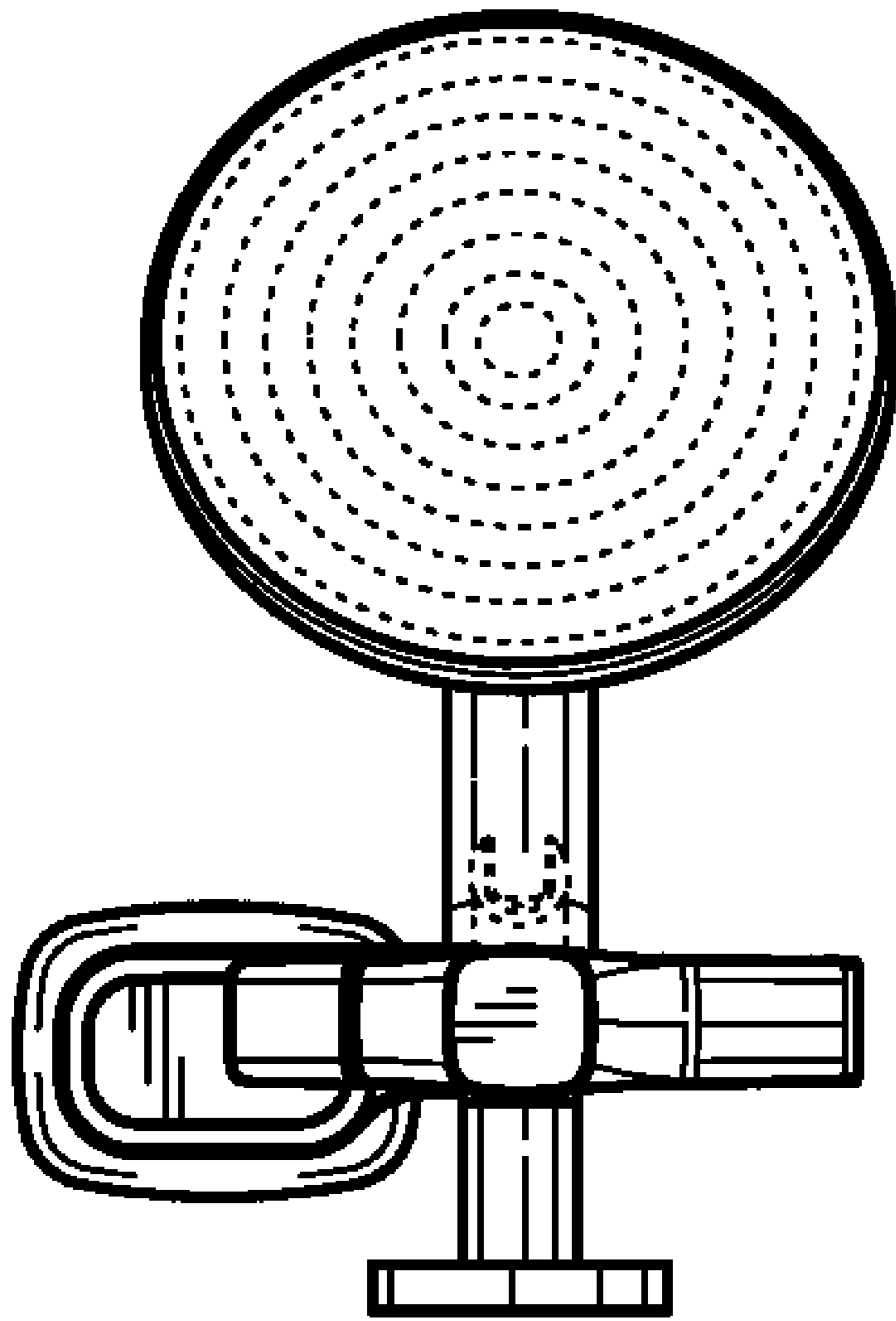


FIG. 6