

US00D606626S

(12) **United States Design Patent**
Zore

(10) **Patent No.:** **US D606,626 S**
(45) **Date of Patent:** **** Dec. 22, 2009**

(54) **NOZZLE**

D385,948 S 11/1997 Guo

(Continued)

(75) Inventor: **William Francis Zore**, Friedens, PA
(US)

(73) Assignee: **Robert Bosch GmbH**, Stuttgart (DE)

(**) Term: **14 Years**

(21) Appl. No.: **29/326,976**

(22) Filed: **Oct. 28, 2008**

(51) **LOC (9) Cl.** **23-01**

(52) **U.S. Cl.** **D23/226**

(58) **Field of Classification Search** D23/213,
D23/223, 226; 239/525-526, 556, 532
See application file for complete search history.

(56) **References Cited**

U.S. PATENT DOCUMENTS

3,207,444 A	9/1965	Kelly et al.
4,470,549 A	9/1984	McMillan et al.
4,899,940 A	2/1990	Leaver
4,903,897 A	2/1990	Hayes
D325,620 S	4/1992	Heren
D338,706 S	8/1993	Wang
D340,762 S	10/1993	Wang
D355,952 S	2/1995	Wang
D355,953 S	2/1995	Wang
D359,101 S	6/1995	Kuo
D372,297 S	7/1996	Wang
D373,814 S	9/1996	Wang
D384,398 S	9/1997	Wang

OTHER PUBLICATIONS
www.target.com website page; Published at least as early as Jun. 6, 2008; One page.
www.doitbest.com website page; Published at least as early as Jun. 6, 2008; One page.

Primary Examiner—Robin V Webster
(74) *Attorney, Agent, or Firm*—Maginot, Moore & Beck

(57) **CLAIM**

The ornamental design for a nozzle, as shown and described.

DESCRIPTION

FIG. 1 is a perspective view of a nozzle showing my new design;

FIG. 2 is a left side elevational view showing the design for the nozzle of FIG. 1;

FIG. 3 is a right side elevational view showing the design for the nozzle of FIG. 1;

FIG. 4 is a front elevational view showing the design for the nozzle of FIG. 1;

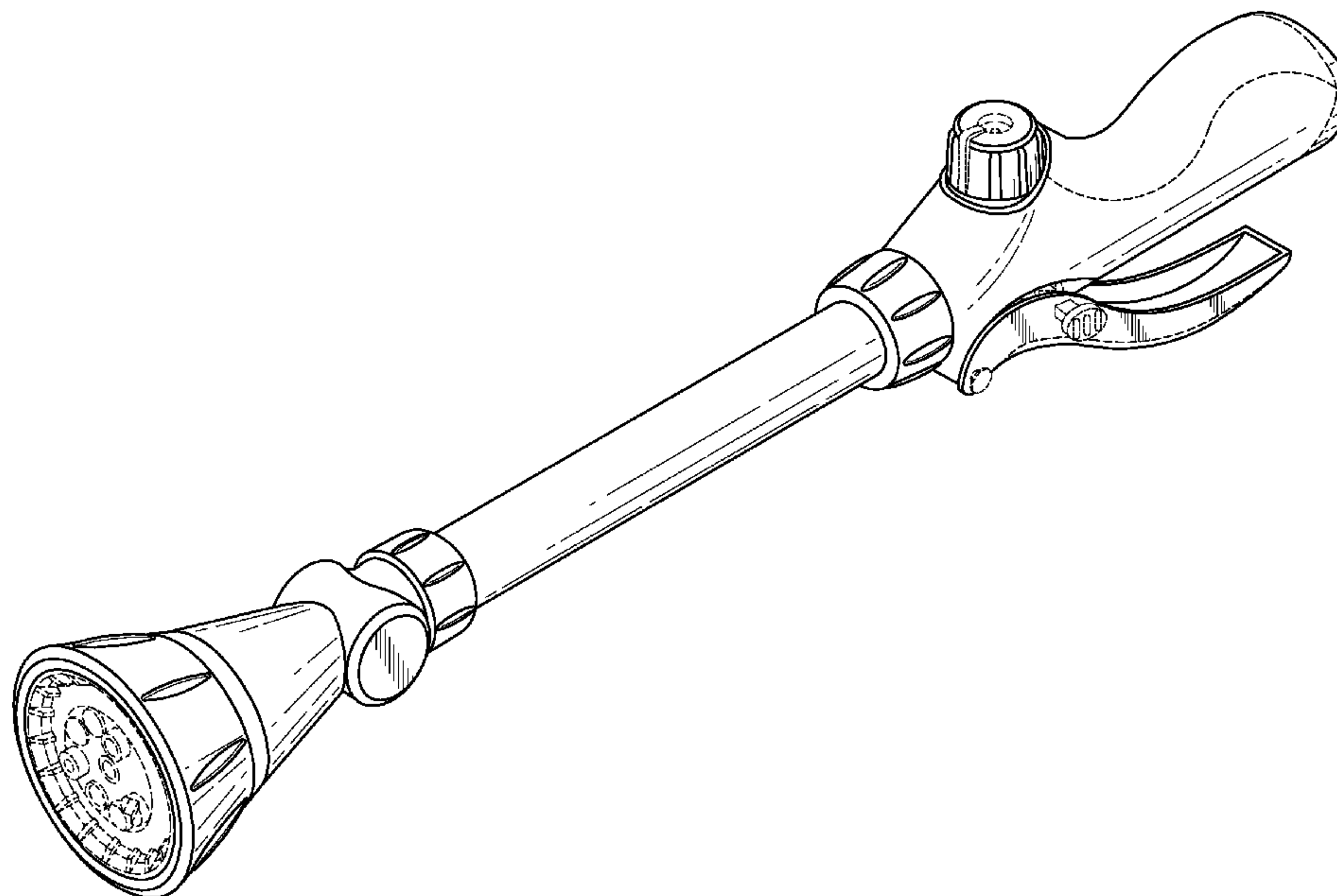
FIG. 5 is a rear elevational view showing the design for the nozzle of FIG. 1;

FIG. 6 is a top elevational view showing the design for the nozzle of FIG. 1; and,

FIG. 7 is a bottom elevational view showing the design for the nozzle of FIG. 1.

The broken line showing of portions of the nozzle is included for illustrative purposes only and forms no part of the claimed design.

1 Claim, 5 Drawing Sheets



US D606,626 S

Page 2

U.S. PATENT DOCUMENTS

D390,633 S	2/1998	Guo	D437,391 S	2/2001	Chao
D392,719 S	3/1998	Guo	D445,873 S	7/2001	Wang
D394,305 S	5/1998	Kuo	D446,282 S	8/2001	Wang
D407,140 S	3/1999	Heren	D447,790 S	9/2001	Heren et al.
D408,068 S	4/1999	Hui-Chen	D451,982 S	12/2001	Chao
D408,496 S	4/1999	Wang	D459,435 S	6/2002	Fauquet
D408,497 S	4/1999	Wang	D461,225 S	8/2002	Chen
D409,717 S	5/1999	Heren et al.	D472,605 S	4/2003	Nien
D409,720 S	5/1999	Guo	6,540,163 B1 *	4/2003	Huang 239/587.5
D410,730 S	6/1999	Wang	6,581,853 B1 *	6/2003	Huang 239/532
D410,994 S	6/1999	Hui-Chen	D479,302 S	9/2003	Chen
D412,356 S	7/1999	Hui-Chen	6,726,129 B2 *	4/2004	Kao 239/587.1
D415,249 S	10/1999	Wang	D492,979 S	7/2004	Chen
D415,557 S	10/1999	Kuo	D496,430 S	9/2004	Kuo
D427,660 S	7/2000	Casica et al.	D515,662 S	2/2006	Chen
D431,069 S	9/2000	Heren	7,156,325 B1 *	1/2007	Chen 239/394
D432,628 S	10/2000	Chao	D557,378 S	12/2007	Chen
D433,099 S	10/2000	Chao	D557,379 S	12/2007	Chen
			D565,700 S	4/2008	Chen

* cited by examiner

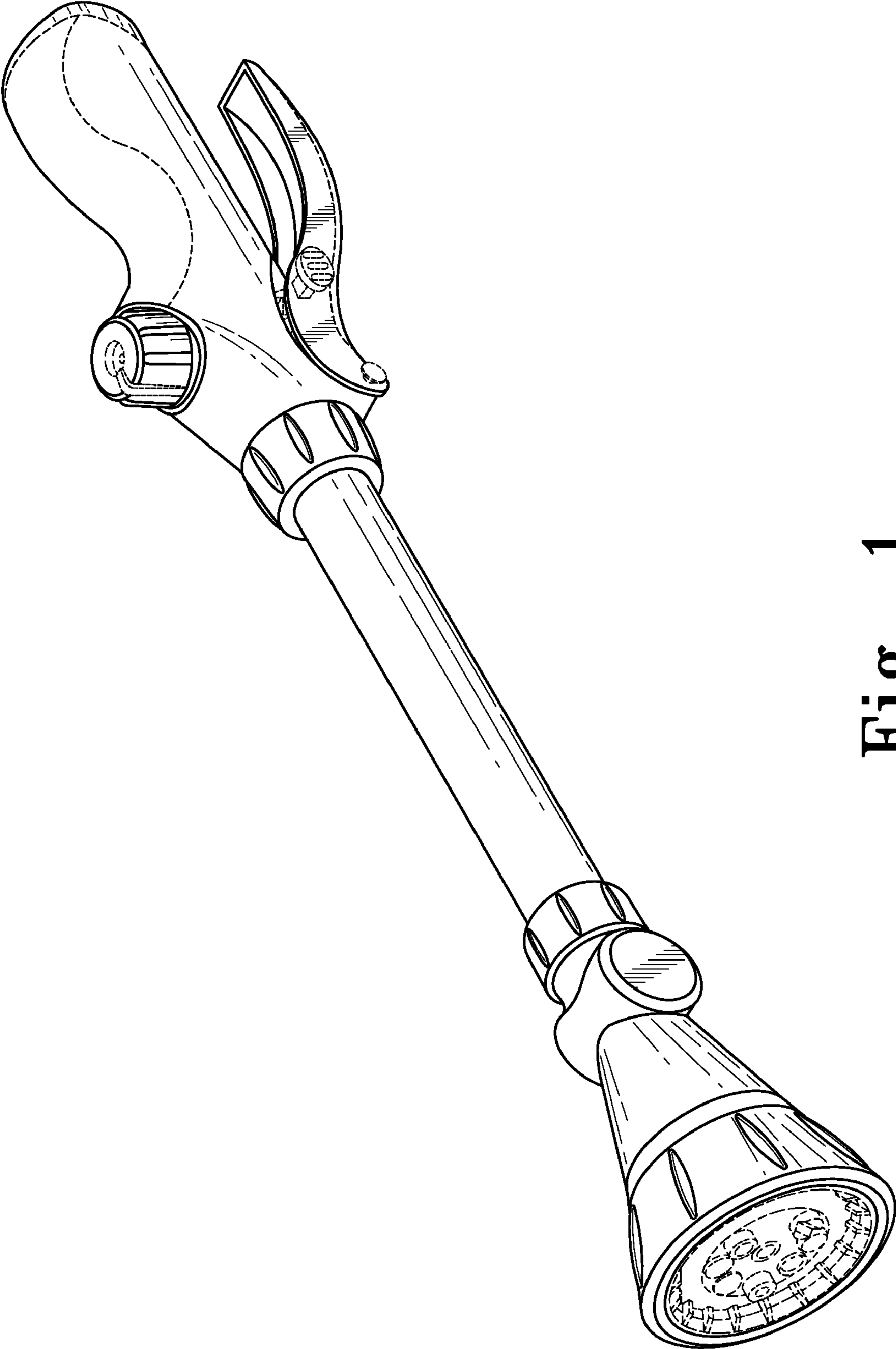


Fig. 1

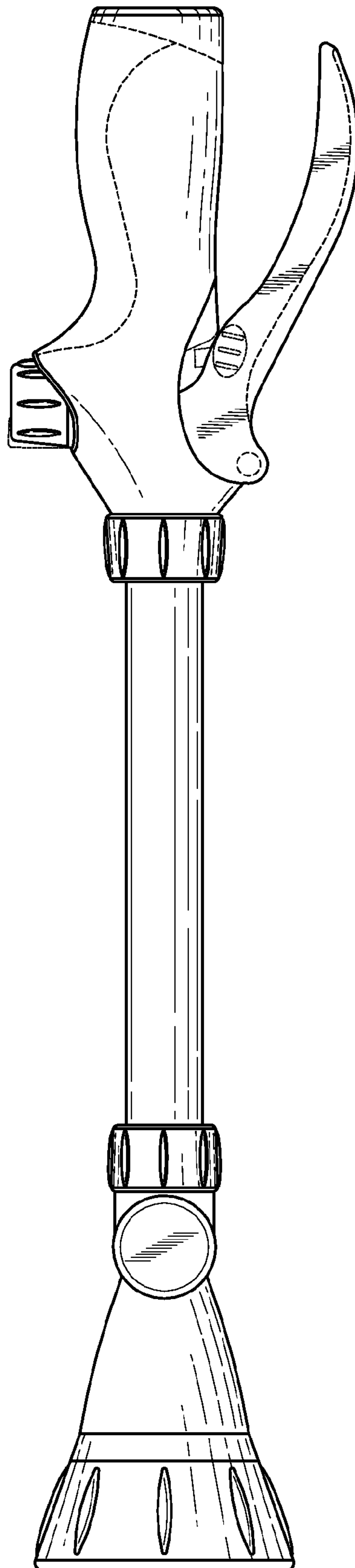


Fig. 2

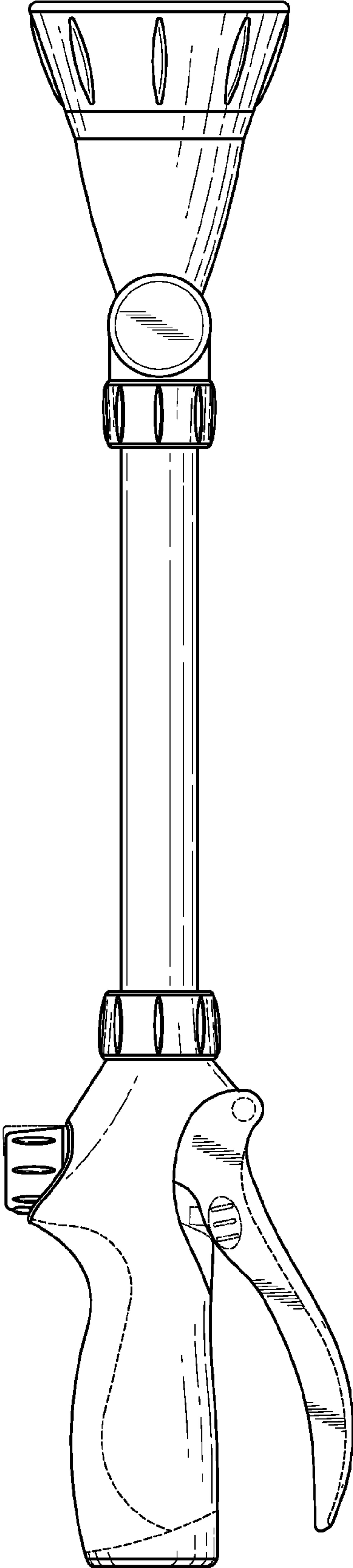


Fig. 3

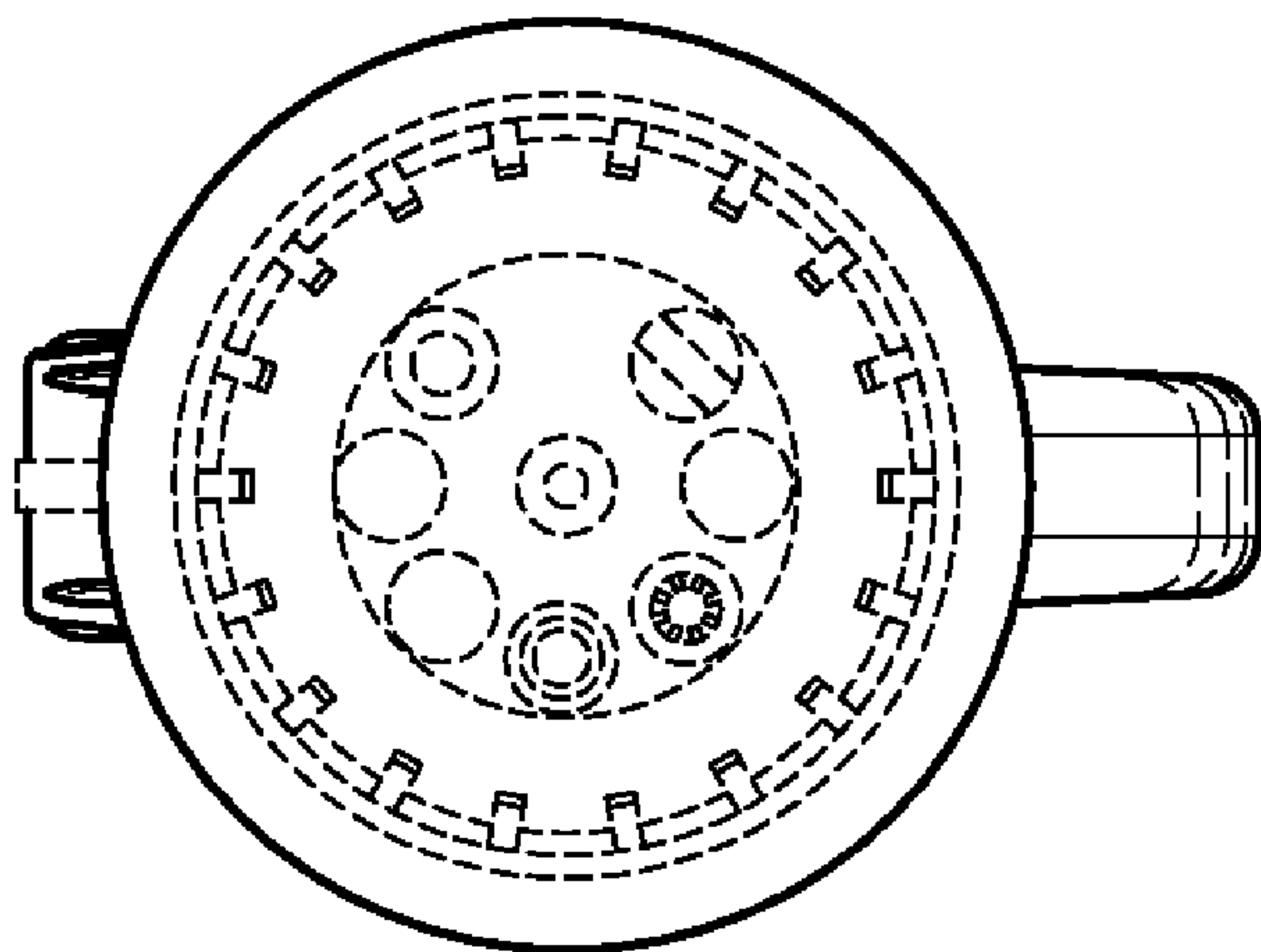


Fig. 4

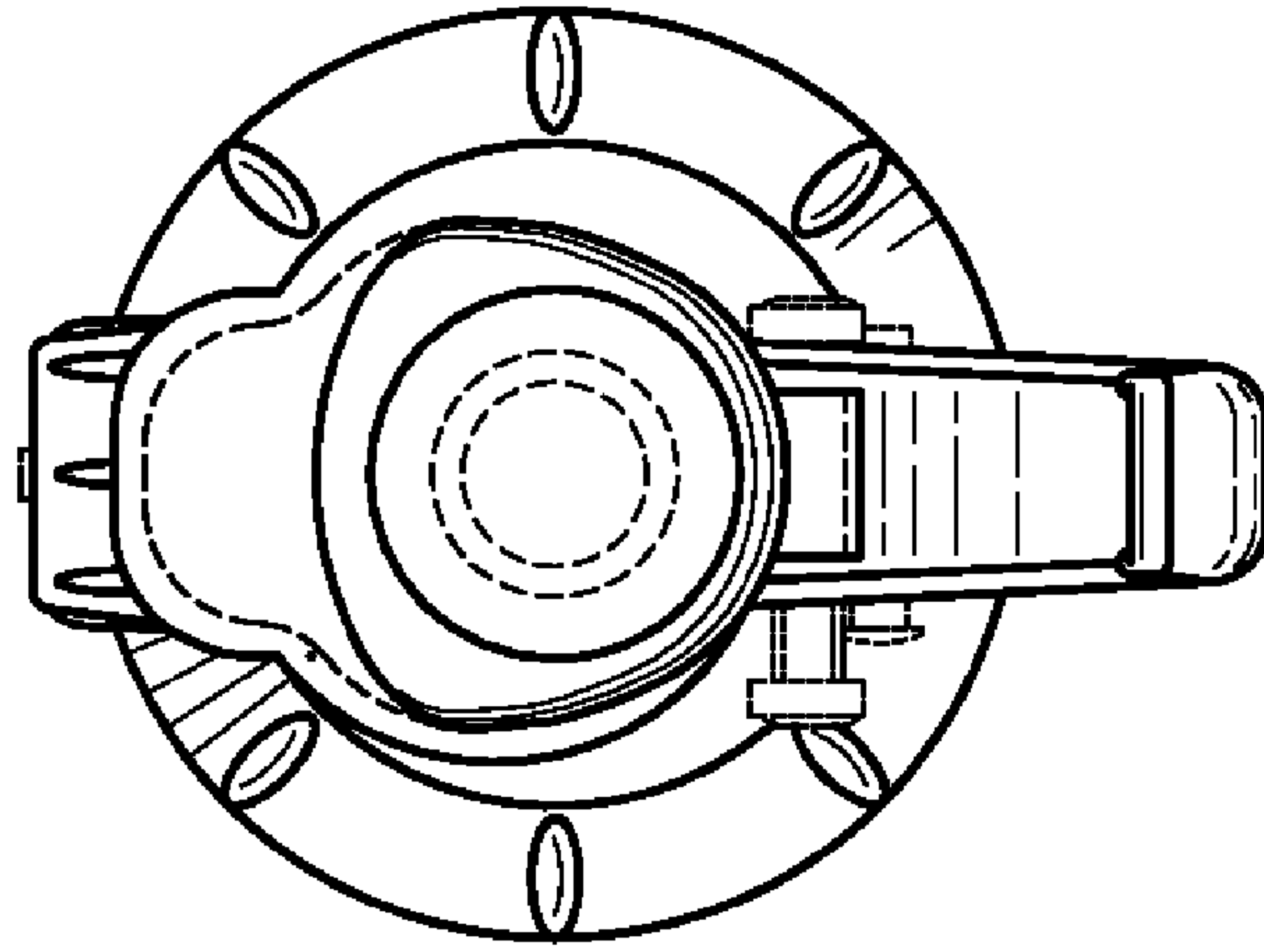


Fig. 5

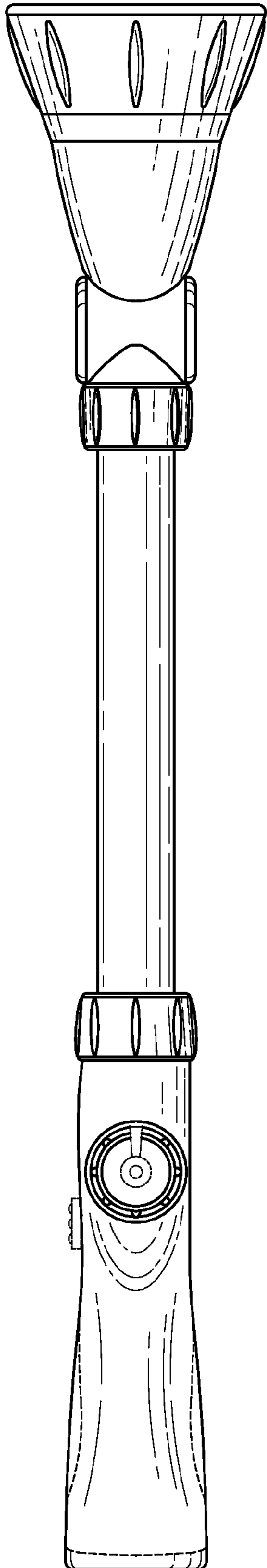


Fig. 6

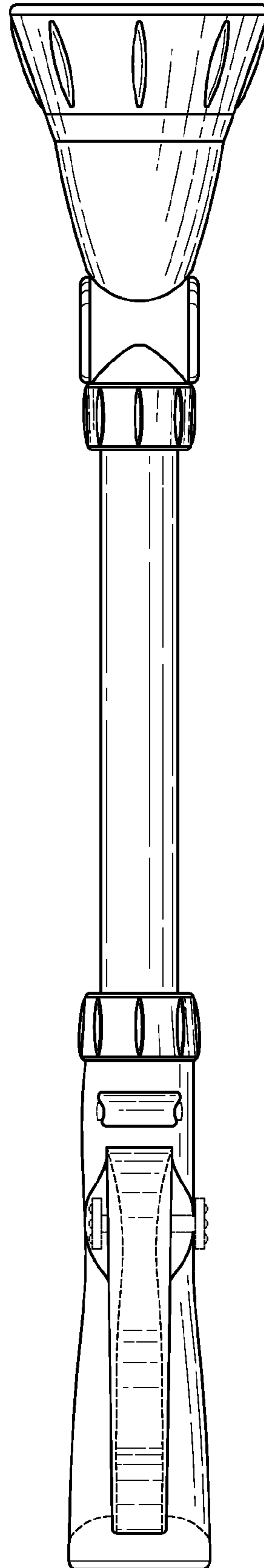


Fig. 7