

US00D606624S

(12) **United States Design Patent**
Yu

(10) **Patent No.:** **US D606,624 S**

(45) **Date of Patent:** **** Dec. 22, 2009**

(54) **WATER SPRAY GUN HOLDER**

(75) Inventor: **Pin-Hsien Yu**, Taipei (TW)

(73) Assignee: **Aqualean Manufacturing Associates**,
Taipei (TW)

(**) Term: **14 Years**

(21) Appl. No.: **29/335,888**

(22) Filed: **Apr. 23, 2009**

(51) **LOC (9) Cl.** **23-01**

(52) **U.S. Cl.** **D23/223**

(58) **Field of Classification Search** D23/213,
D23/223, 226, 229-230; 239/39, DIG. 14,
239/525-526

See application file for complete search history.

(56) **References Cited**

U.S. PATENT DOCUMENTS

- D559,355 S * 1/2008 Chih D23/226
- D564,065 S * 3/2008 Yu D23/223
- D584,381 S * 1/2009 Hung D23/223

* cited by examiner

Primary Examiner—Robin V Webster

(74) *Attorney, Agent, or Firm*—Egbert Law Offices, PLLC

(57) **CLAIM**

The ornamental design for a water spray gun holder, as shown and described.

DESCRIPTION

FIG. 1 is an upper perspective view of the water spray gun holder showing my design.

FIG. 2 is back elevation view thereof;

FIG. 3 is a front elevation view thereof;

FIG. 4 is a side elevation view thereof;

FIG. 5 is an opposite side elevation view thereof;

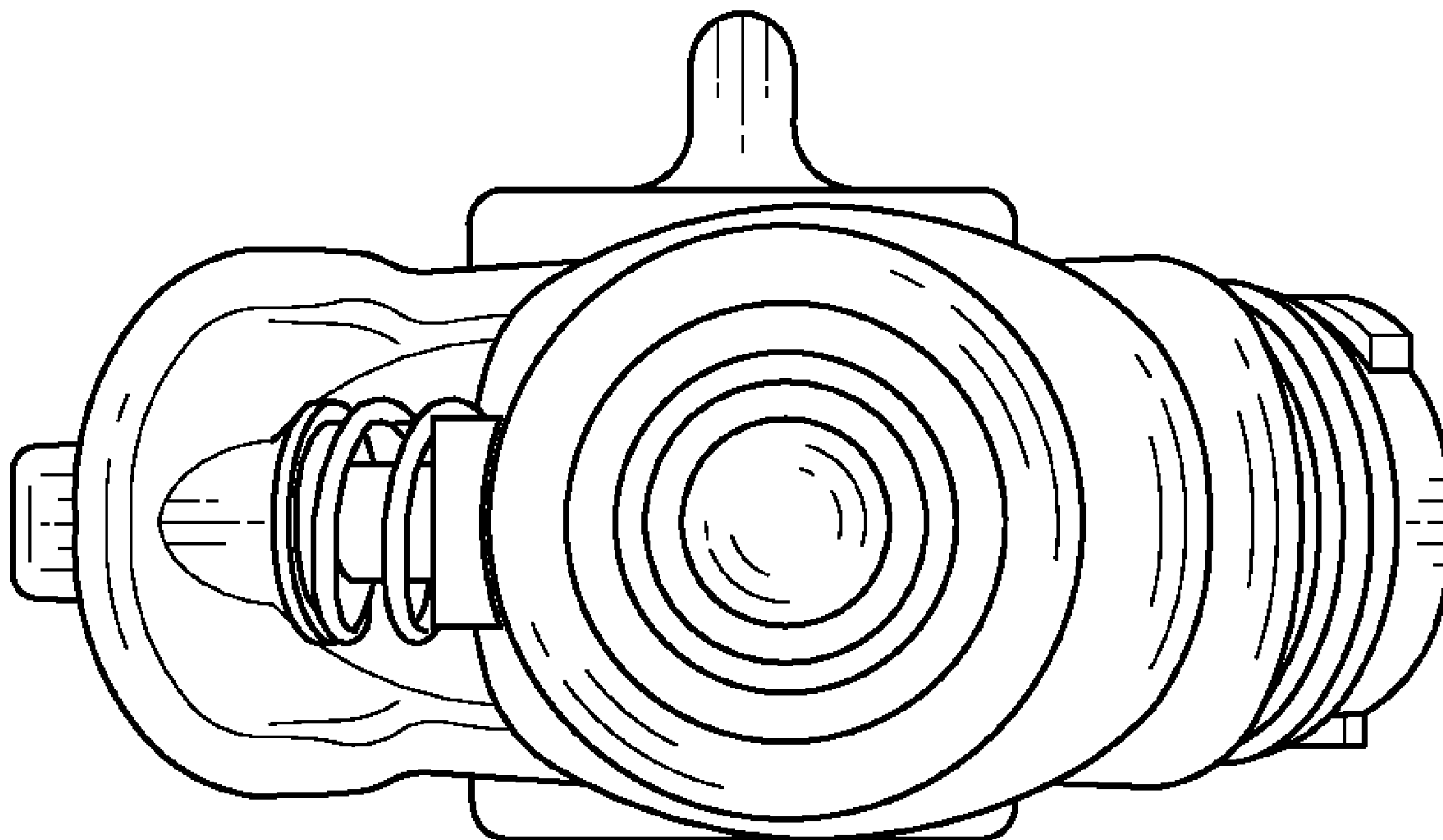
FIG. 6 is a top plan view thereof;

FIG. 7 is a bottom plan view thereof; and,

FIG. 8 is another upper perspective view thereof, showing a spray head attachment in broken lines.

The broken lines are for illustrative purposes only and form no part of the claimed design.

1 Claim, 7 Drawing Sheets



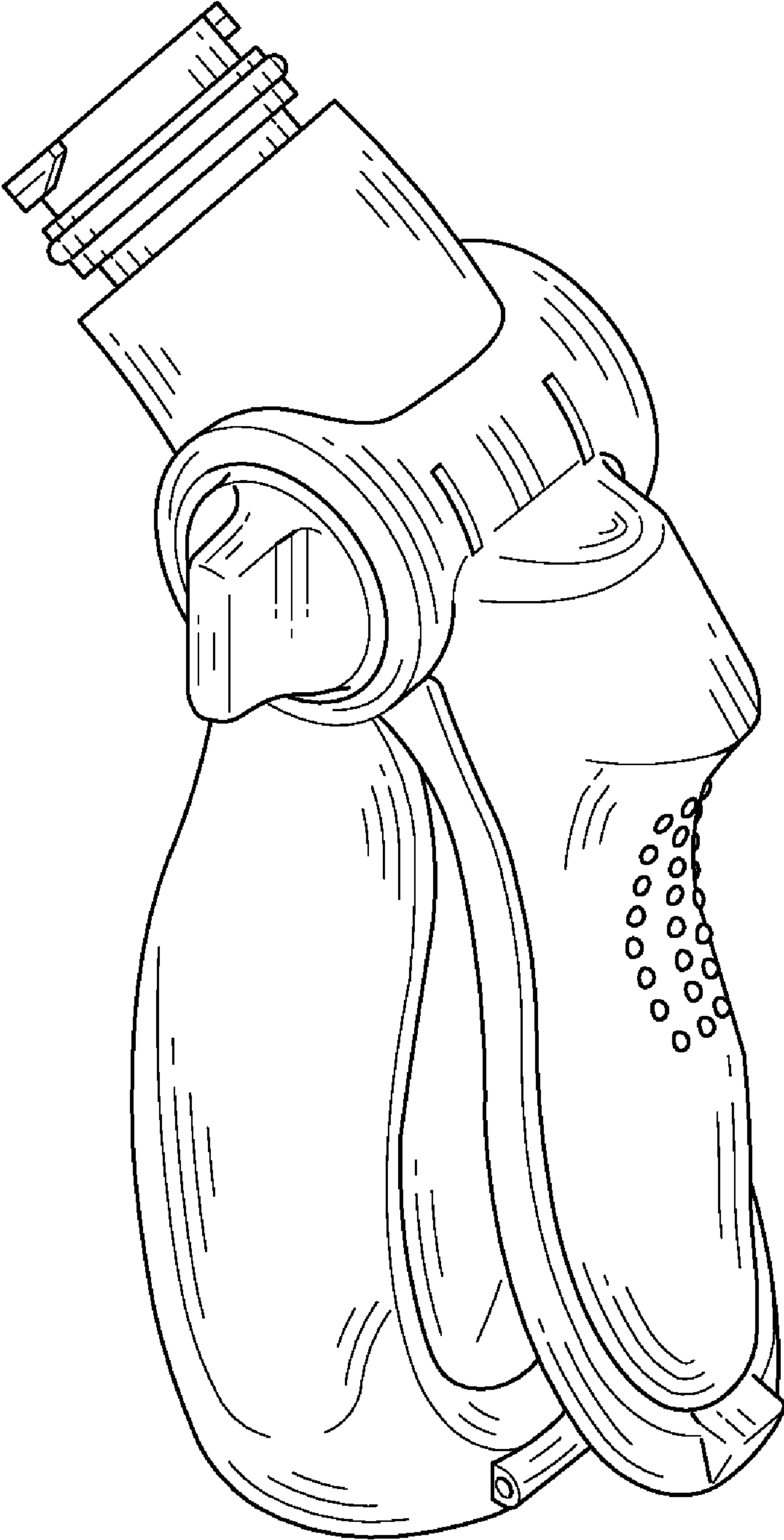


FIG.1

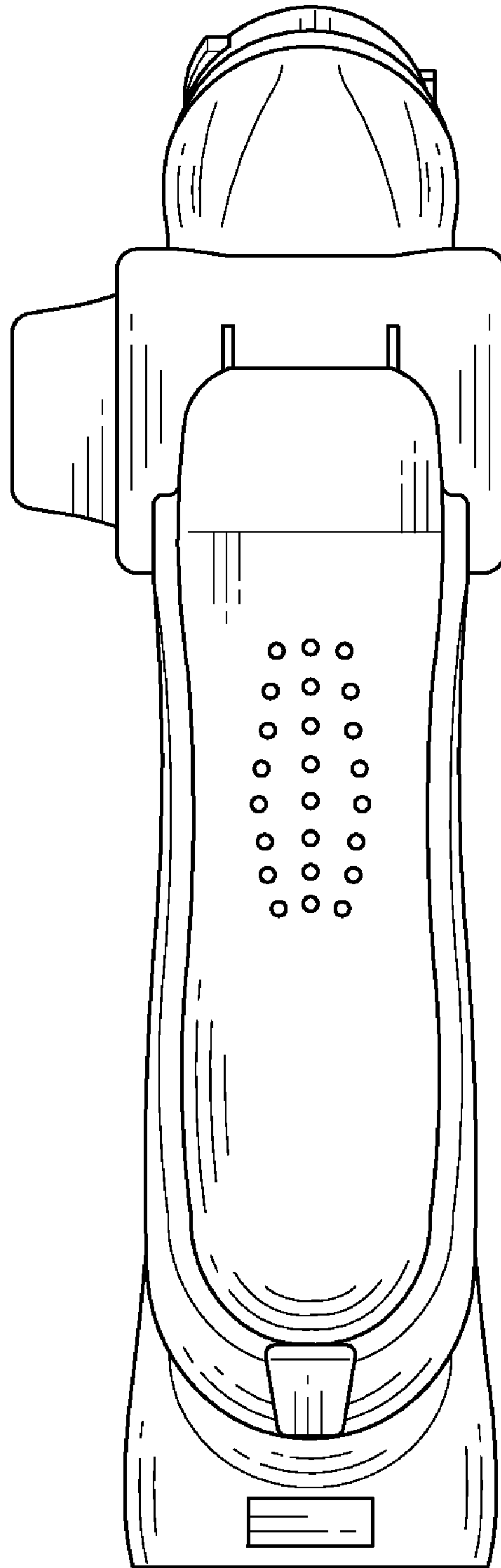


FIG.2

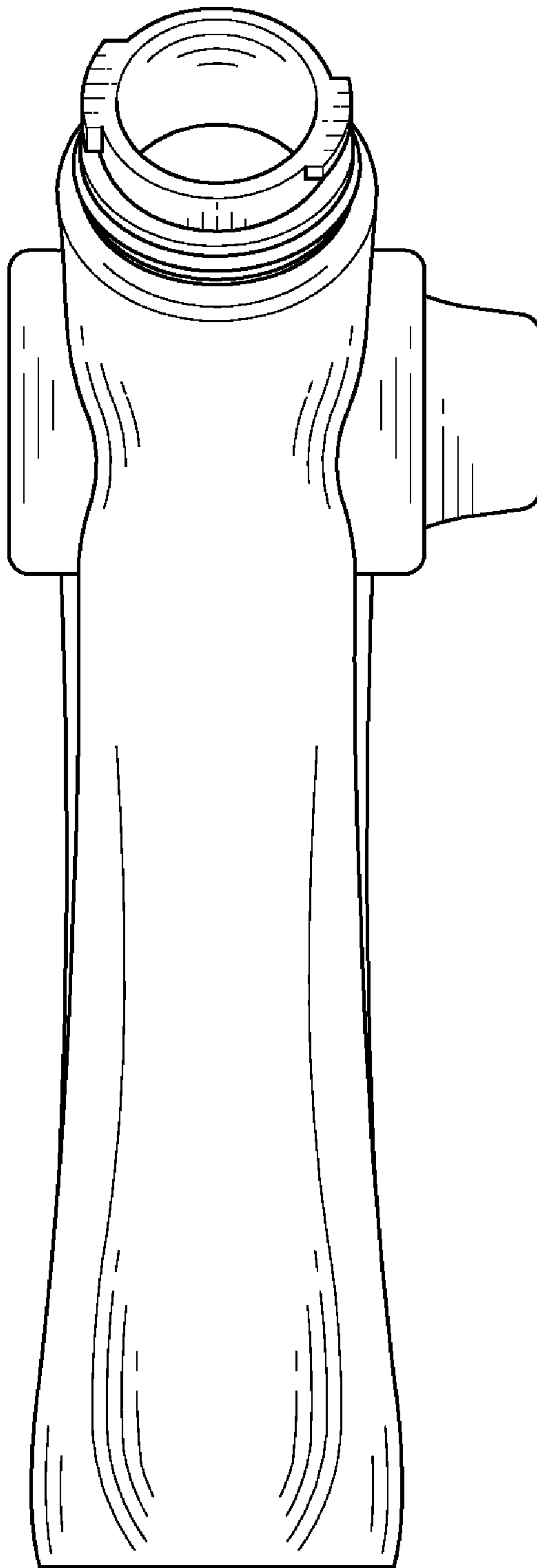


FIG.3

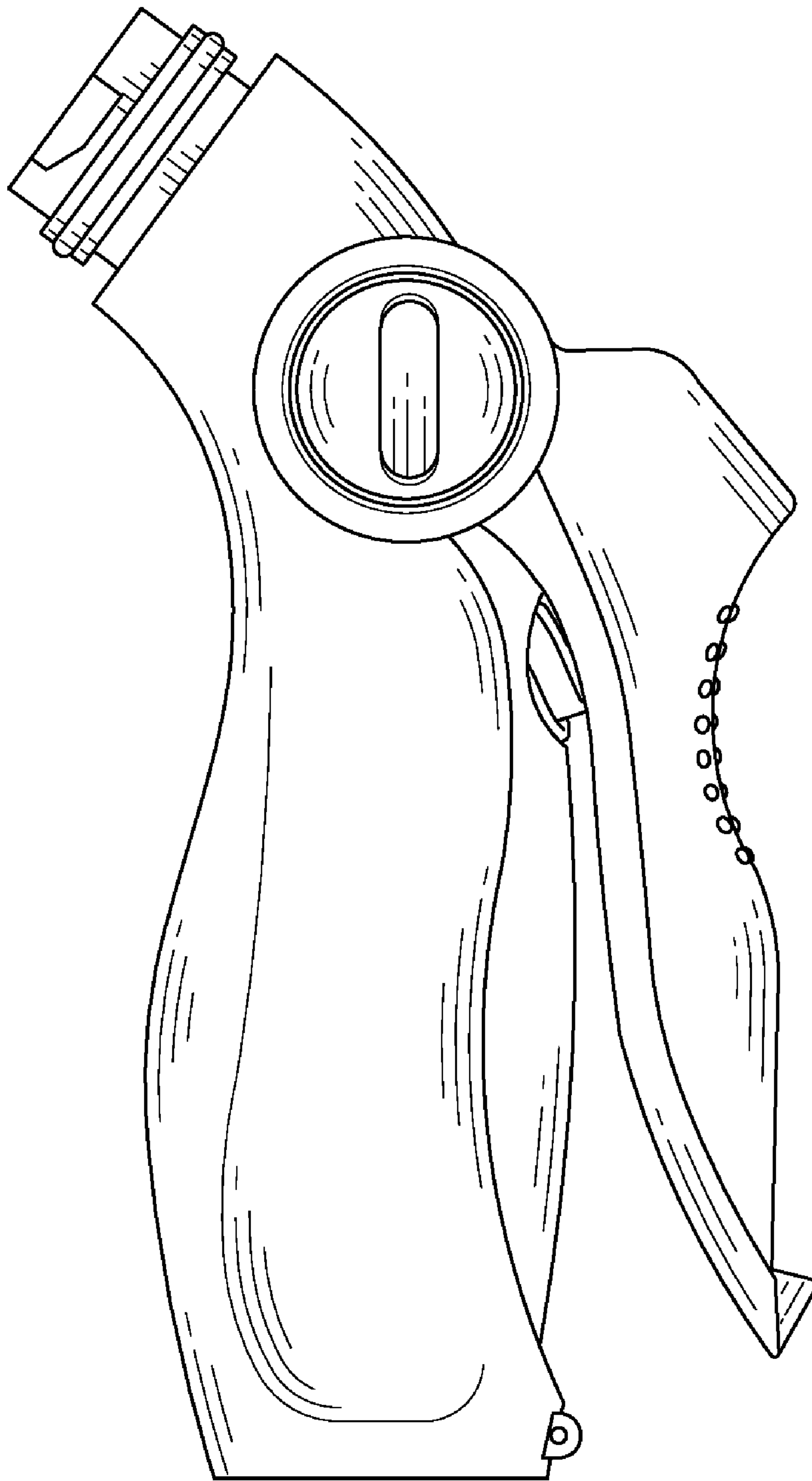


FIG.4

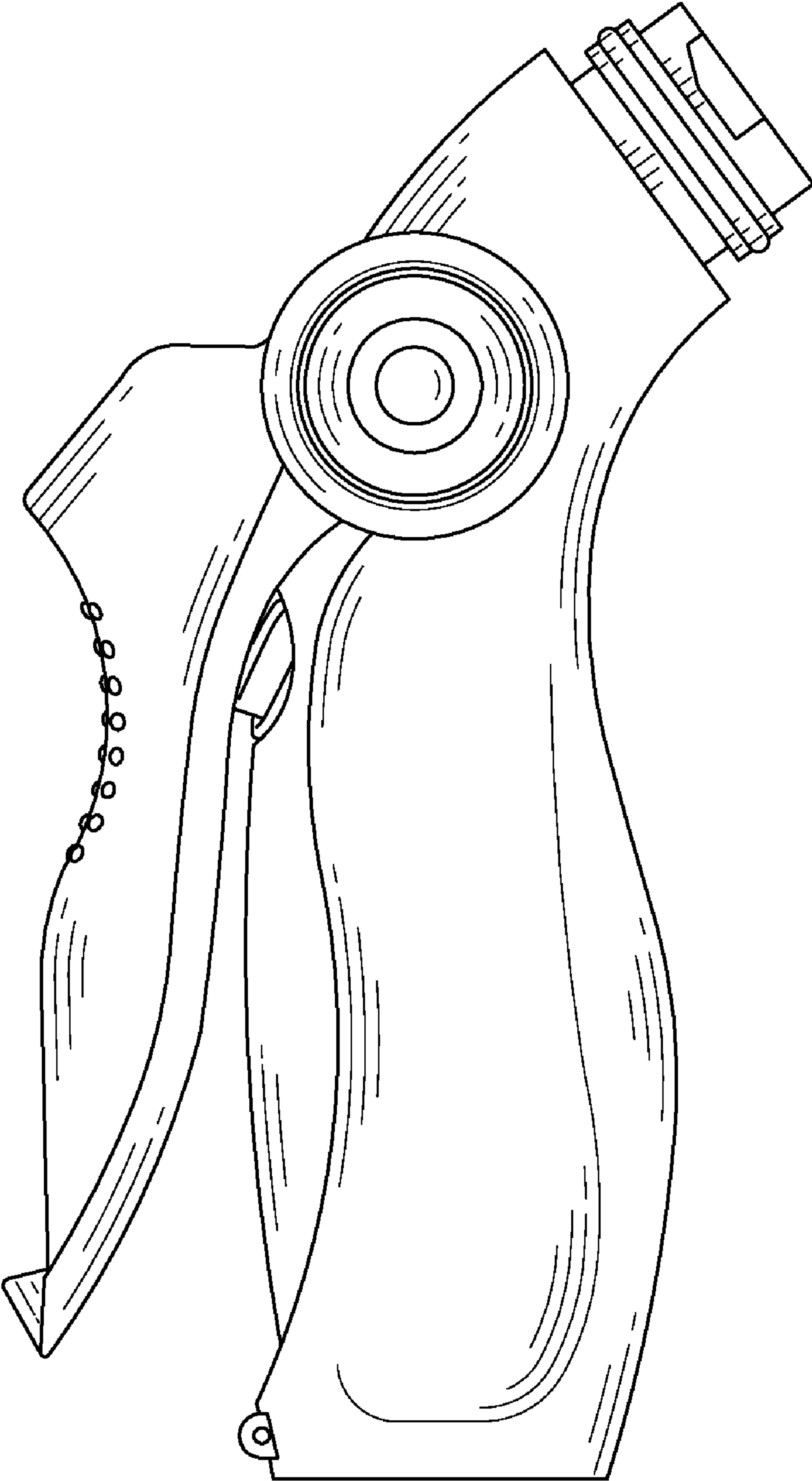


FIG.5

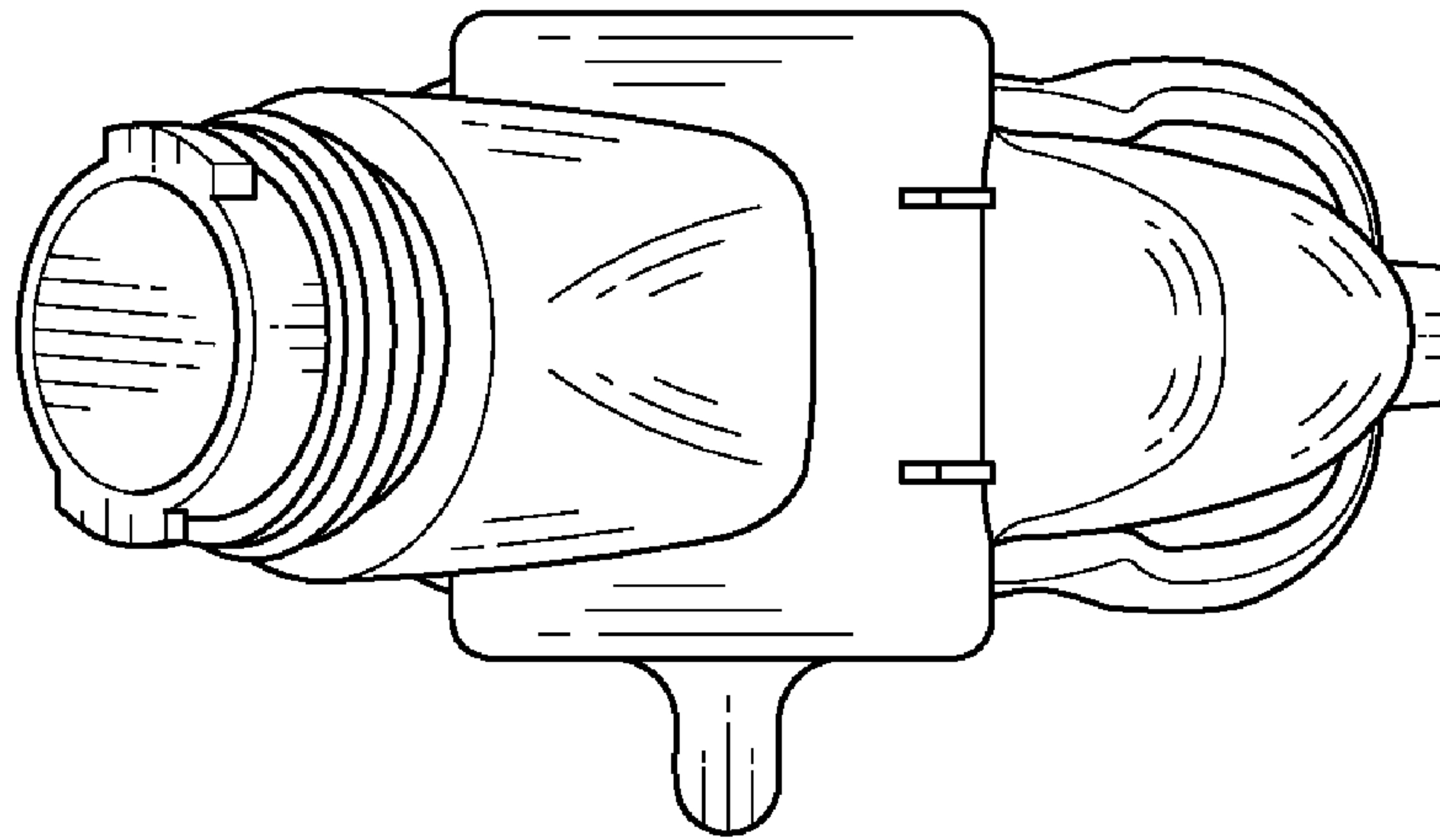


FIG. 6

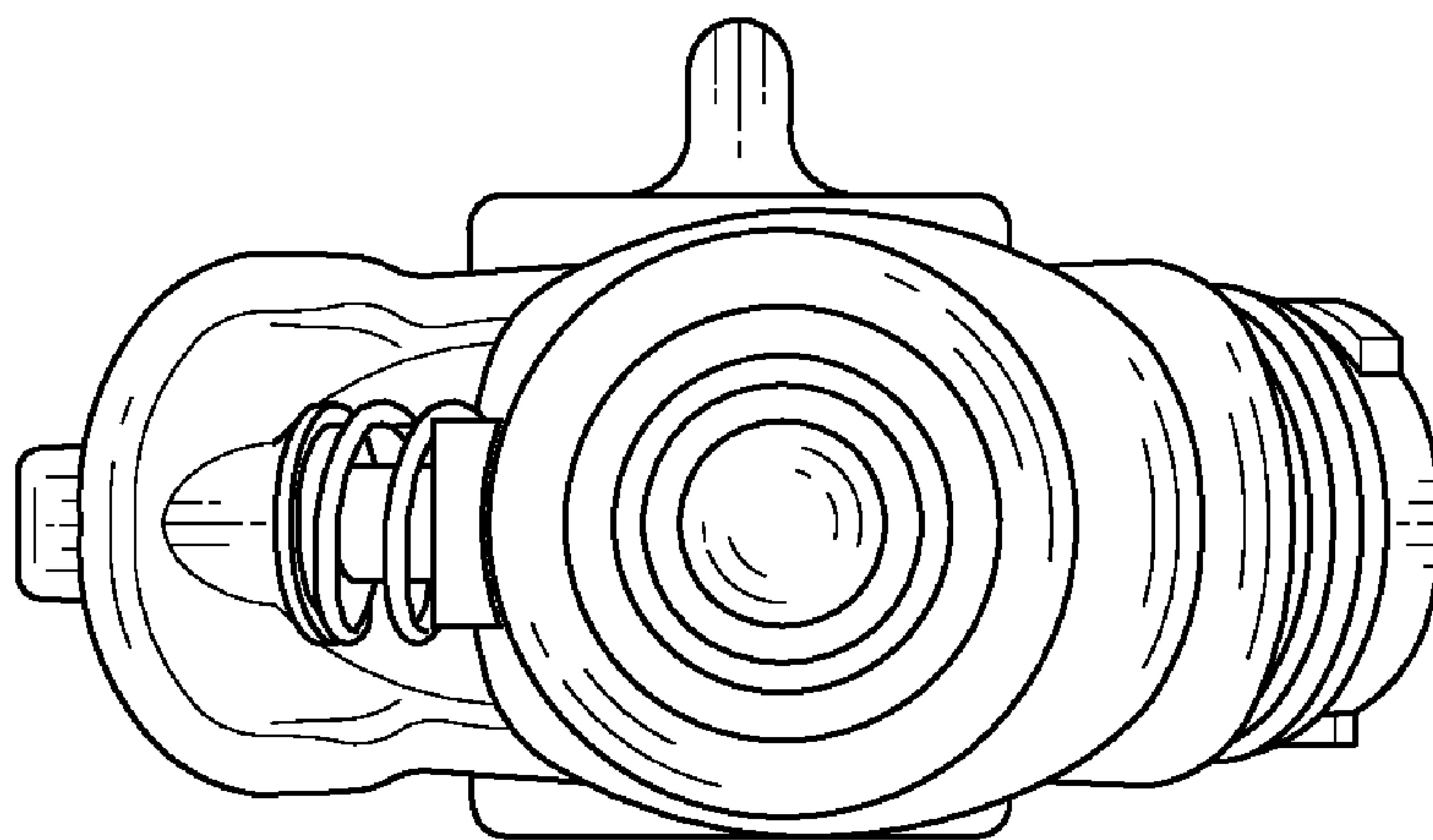


FIG. 7

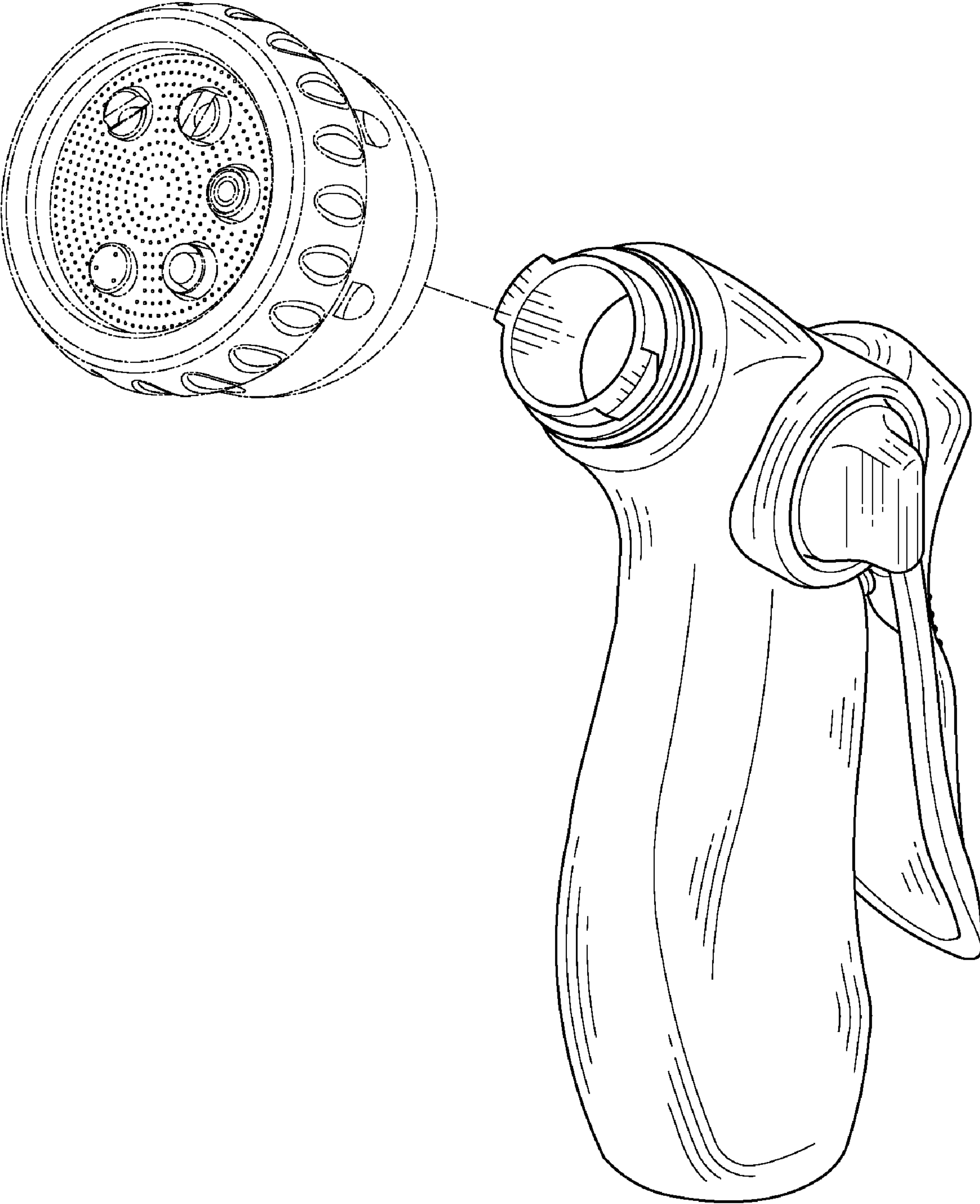


FIG.8