



US00D606622S

(12) **United States Design Patent**  
**Sorenson**

(10) **Patent No.:** **US D606,622 S**

(45) **Date of Patent:** **\*\* Dec. 22, 2009**

(54) **LIQUID SPRAY EMITTER**

(76) **Inventor:** **John C. Sorenson**, W5901 Spooner  
Lake Rd., Spooner, WI (US) 54801

(\*\*) **Term:** **14 Years**

(21) **Appl. No.:** **29/330,293**

(22) **Filed:** **Jan. 5, 2009**

(51) **LOC (9) Cl.** ..... **23-01**

(52) **U.S. Cl.** ..... **D23/214**

(58) **Field of Classification Search** ..... D23/213,  
D23/214, 221; 56/12.1, 11.9; 239/273, 276,  
239/542

See application file for complete search history.

4,984,746 A	1/1991	Joyal	
5,027,590 A	7/1991	Stark	
5,042,242 A	8/1991	Evans	
5,094,066 A	3/1992	McBride et al.	
5,189,869 A	3/1993	McBride et al.	
5,312,047 A	5/1994	Akers	
5,444,967 A	8/1995	Meuth	
5,477,583 A	12/1995	Deloe	
5,499,492 A	3/1996	Jameson	
5,651,242 A	7/1997	Kittridge	
5,673,856 A	10/1997	Krohn	
6,045,064 A	4/2000	Abraham	
6,052,980 A	4/2000	Friesen	
D426,867 S *	6/2000	Wang	..... D23/214
6,079,640 A	6/2000	Merritts	
6,260,340 B1	7/2001	Sanner	
6,364,960 B1 *	4/2002	Bayley	..... 134/34
6,899,285 B2	5/2005	Goettl et al.	
D520,108 S *	5/2006	Patel et al.	..... D23/214

(56) **References Cited**

**U.S. PATENT DOCUMENTS**

1,430,620 A	10/1922	Bauer	
1,651,887 A	12/1927	Hawes	
1,900,124 A	3/1933	Meng	
1,910,765 A	5/1933	Hanlan	
2,033,107 A	3/1936	Armstrong	
2,709,624 A	5/1955	MacChesney	
2,805,099 A	9/1957	Bailey	
2,935,266 A	5/1960	Coleondro	
2,943,798 A	7/1960	Rienks	
2,984,061 A	5/1961	Stabnau	
2,992,524 A	7/1961	Stabnau	
3,006,558 A	10/1961	Jacobs	
3,040,990 A	6/1962	Gotti	
3,108,608 A	10/1963	Mahowald	
3,214,893 A	11/1965	Griffin	
D220,763 S *	5/1971	Best	..... D23/214
3,913,839 A	10/1975	Wilson	
4,580,726 A	4/1986	Unger	
4,762,278 A	8/1988	Taylor	
4,784,327 A	11/1988	Lund	
4,836,291 A	6/1989	Owens et al.	
4,865,254 A	9/1989	Kragle	

\* cited by examiner

*Primary Examiner*—Robin V Webster  
(74) *Attorney, Agent, or Firm*—Haugen Law Firm PLLP

(57) **CLAIM**

The ornamental design for a liquid spray emitter, as shown and described.

**DESCRIPTION**

This application claims priority to U.S. patent application Ser. No. 11/464,377, filed on Aug. 14, 2006 and entitled "Lawn Mower Cleaning Device".

FIG. 1 is a perspective view of the design;  
FIG. 2 is an end elevational view of the design;  
FIG. 3 is a side elevational view of the design;  
FIG. 4 is a top plan view of the design; and,  
FIG. 5 is a bottom plan view of the design.

**1 Claim, 2 Drawing Sheets**

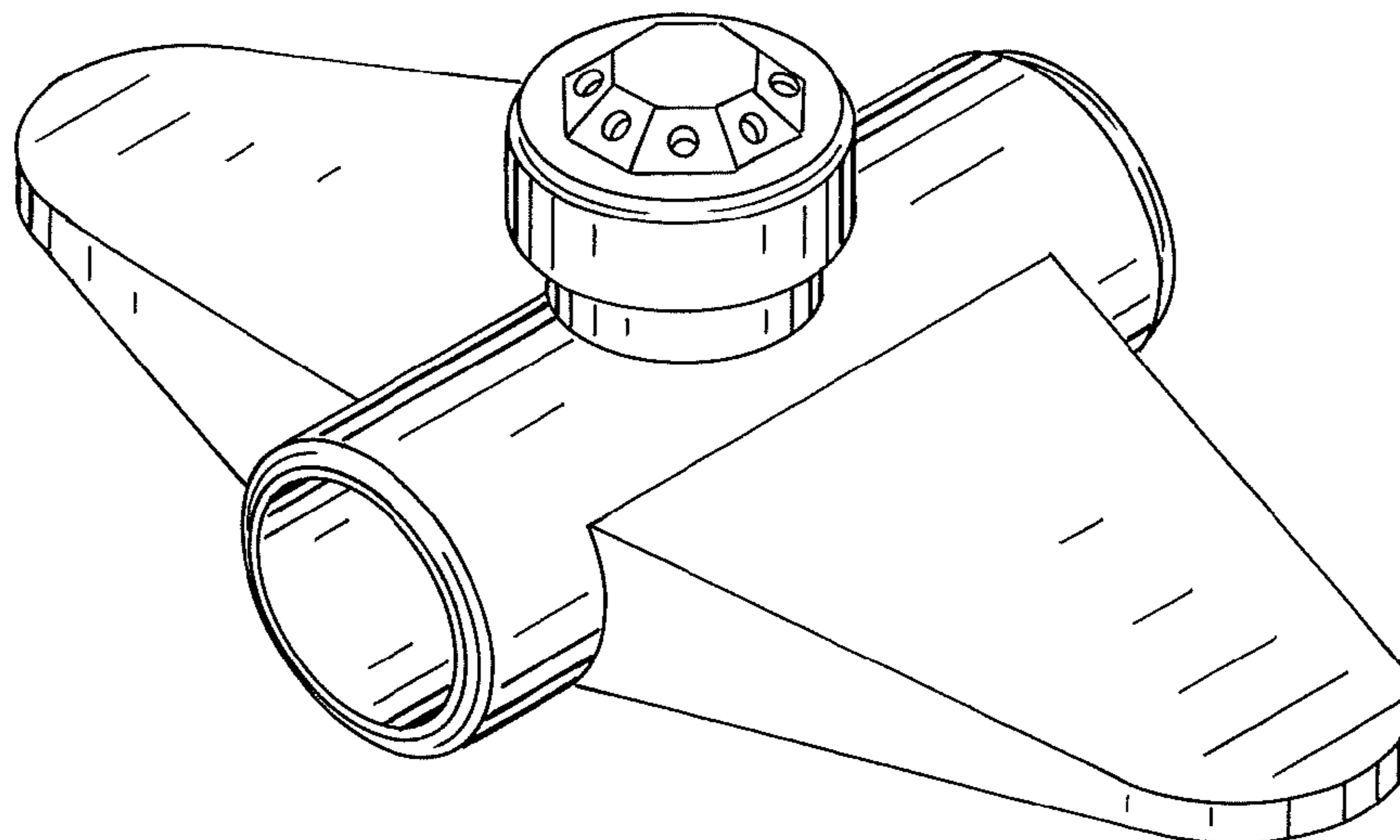


Fig.-1

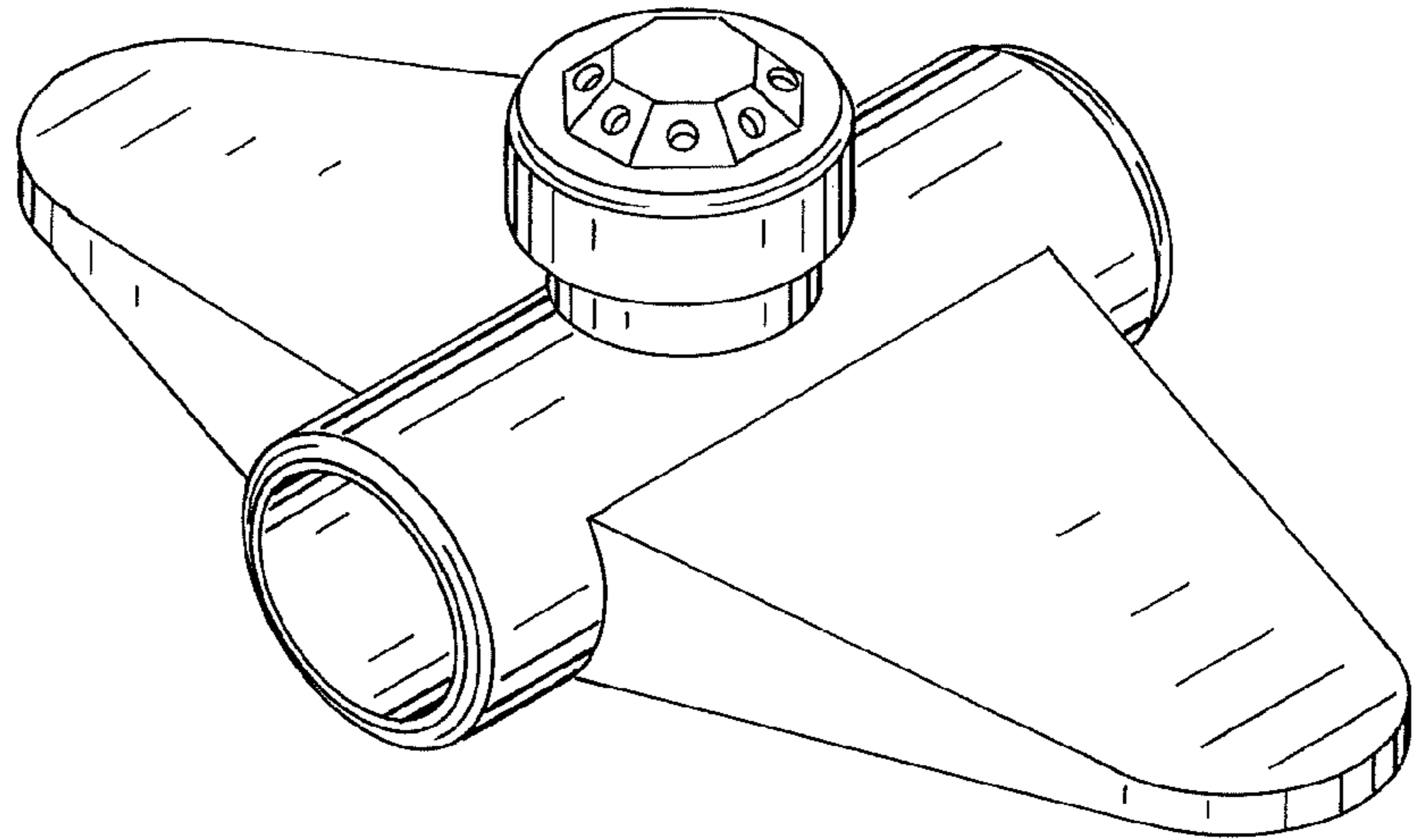


Fig.-2

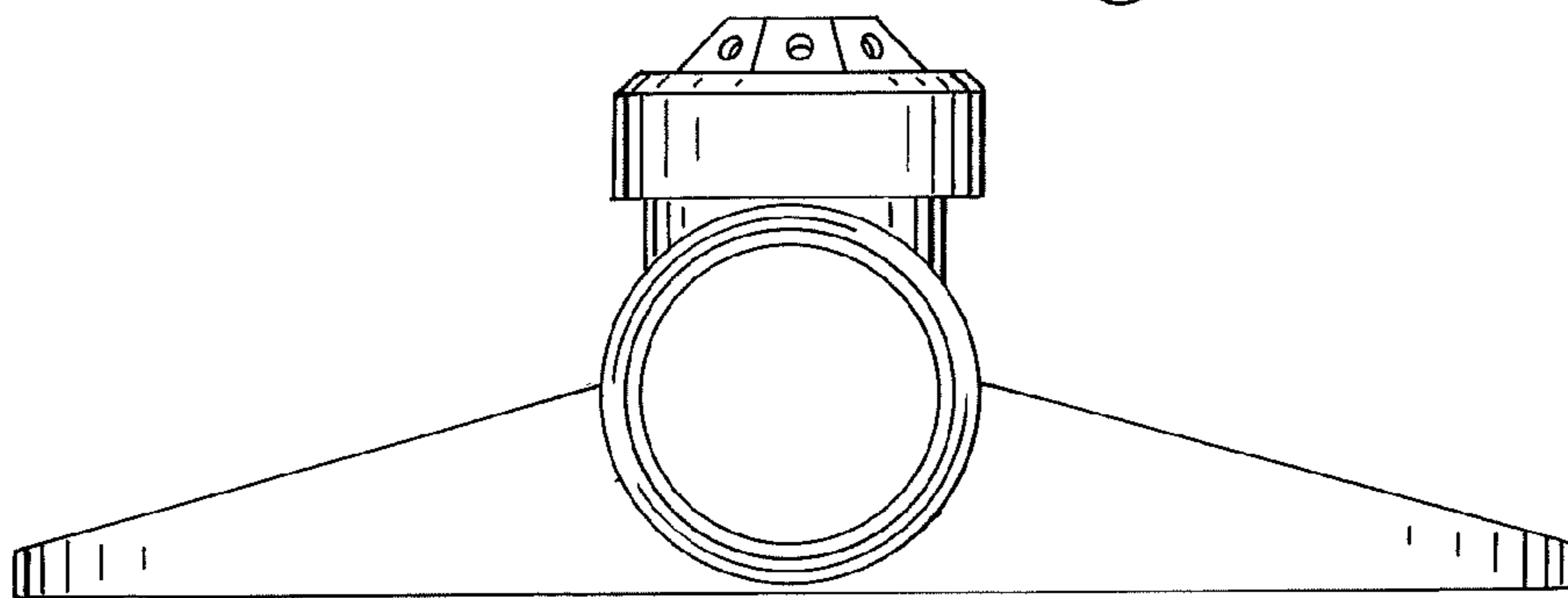


Fig.-3

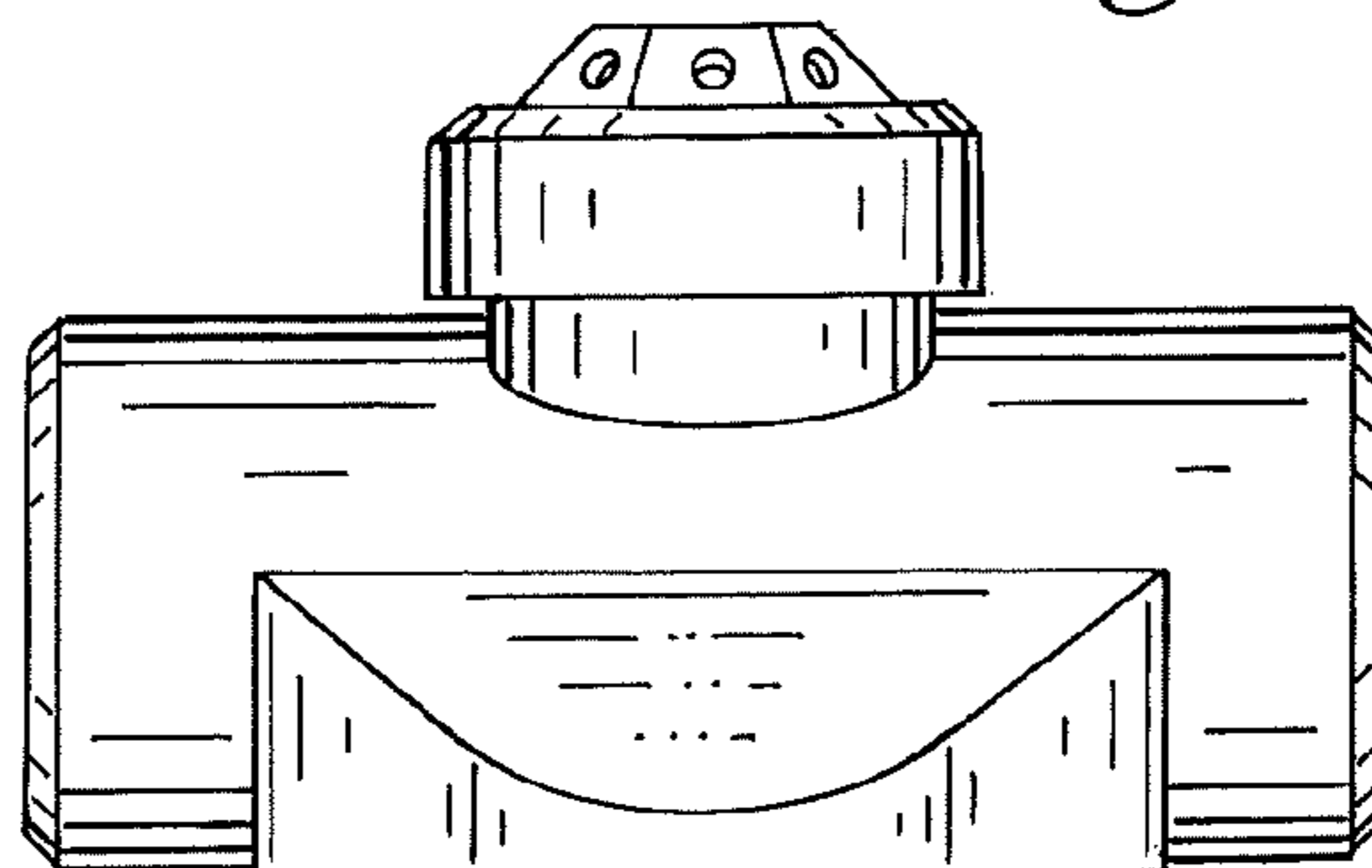


Fig. -4

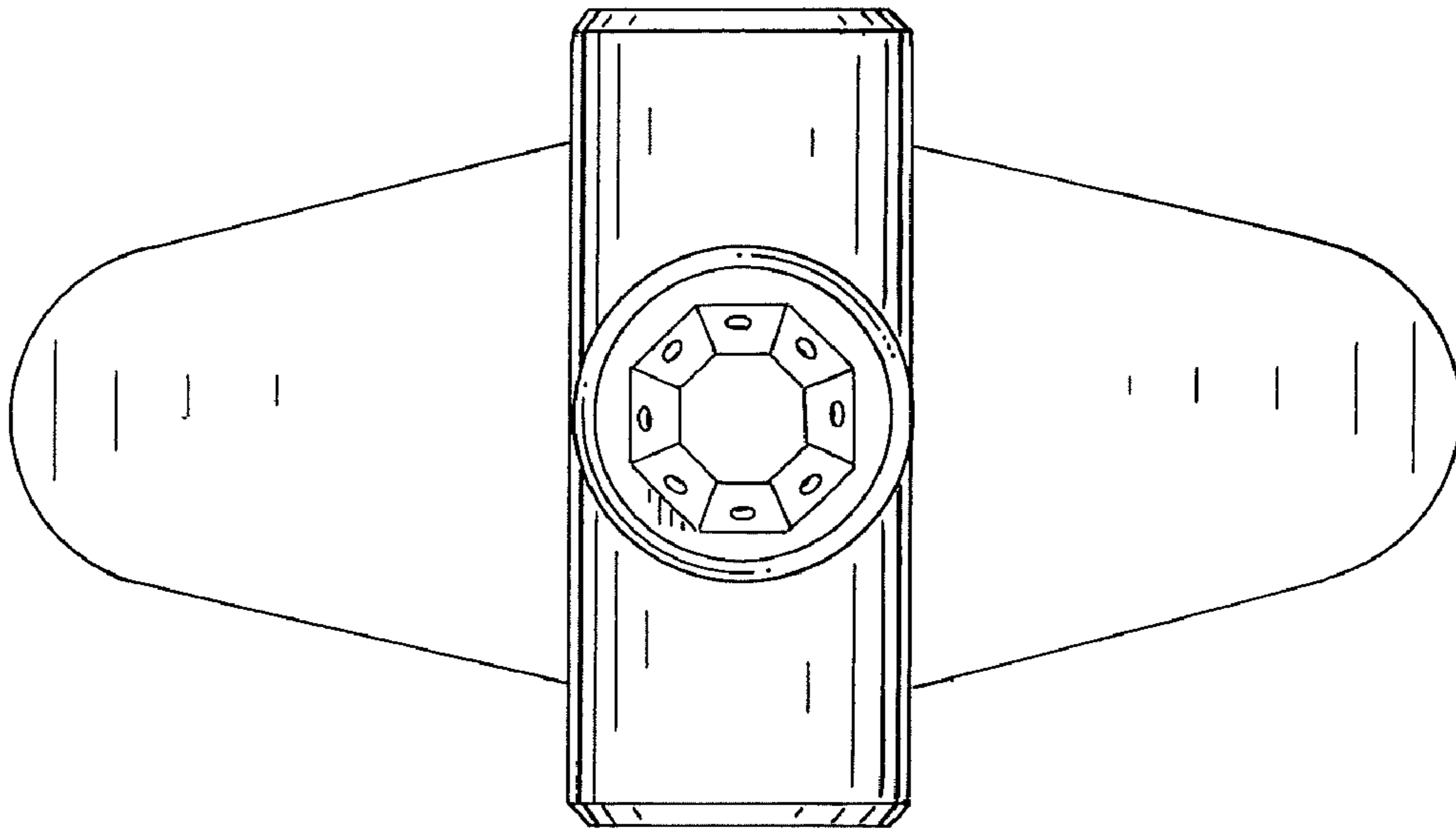
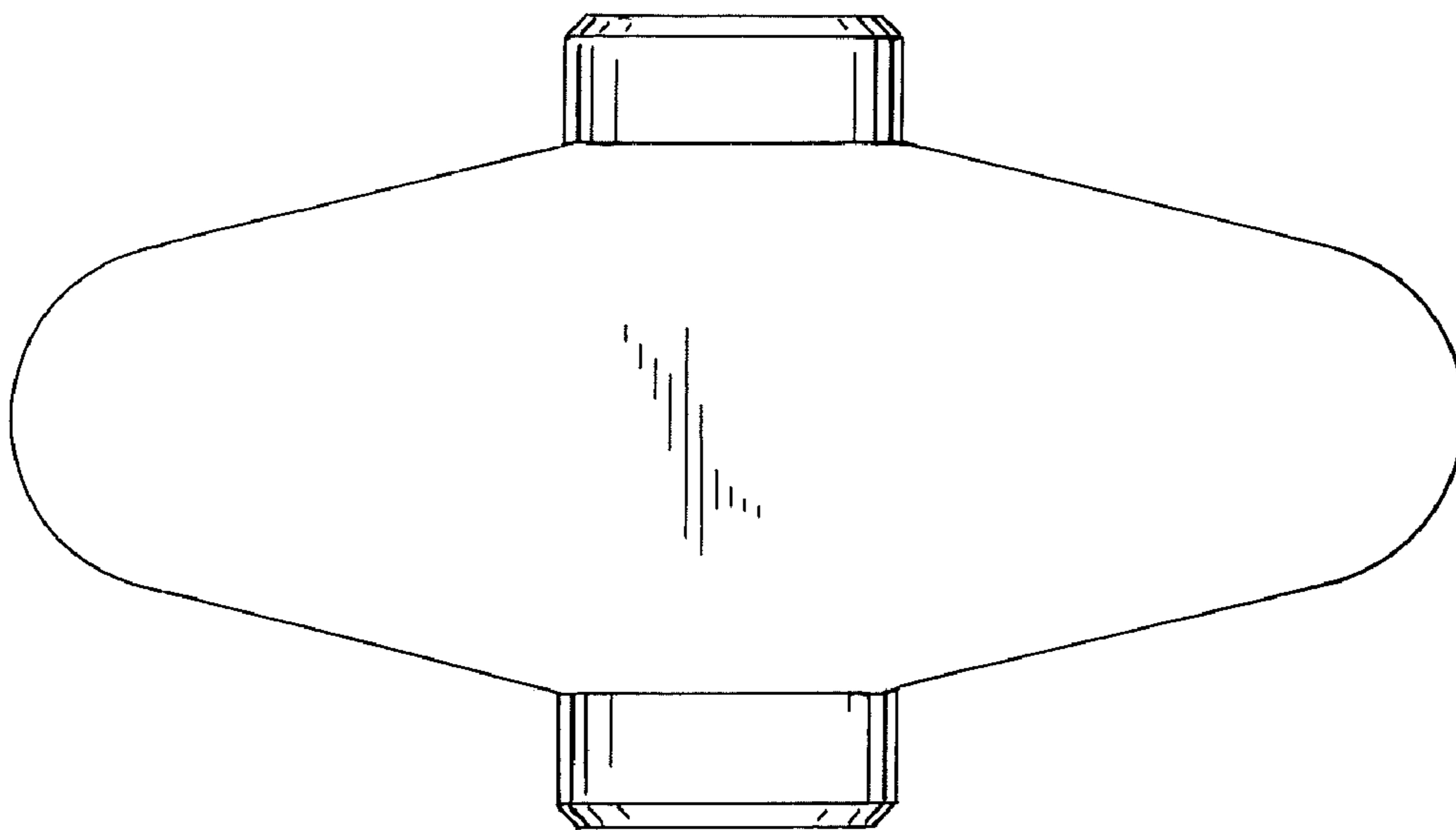


Fig. -5



UNITED STATES PATENT AND TRADEMARK OFFICE  
**CERTIFICATE OF CORRECTION**

PATENT NO. : D606,622 S  
APPLICATION NO. : 29/330293  
DATED : December 29, 2009  
INVENTOR(S) : John C. Sorenson

Page 1 of 1

It is certified that error appears in the above-identified patent and that said Letters Patent is hereby corrected as shown below:

Title Page, before [57] insert --CROSS REFERENCE-- under which should read:  
--This application claims priority to U.S. Application Serial No. 11/464,377, filed on August 14, 2006 and entitled "Lawn Mower Cleaning Device," the contents of which being incorporated herein in its entirety.--

Signed and Sealed this  
Twenty-fourth Day of May, 2011

A handwritten signature in black ink that reads "David J. Kappos". The signature is written in a cursive, slightly slanted style.

David J. Kappos  
*Director of the United States Patent and Trademark Office*

UNITED STATES PATENT AND TRADEMARK OFFICE  
**CERTIFICATE OF CORRECTION**

PATENT NO. : D606,622 S  
APPLICATION NO. : 29/330293  
DATED : December 22, 2009  
INVENTOR(S) : John C. Sorenson

Page 1 of 1

It is certified that error appears in the above-identified patent and that said Letters Patent is hereby corrected as shown below:

Page 1, item (57), under the heading "DESCRIPTION" before paragraph reading "This application..." insert

--I, John C. Sorenson, residing at W5901 Spooner Lake Road, Spooner, WI 54801, of the United States, have invented a new, original and ornamental design for a LIQUID SPRAY EMITTER of which the following is a specification, reference being made to the accompanying drawings forming a part thereof and in which:--

Signed and Sealed this  
Thirty-first Day of May, 2011



David J. Kappos  
*Director of the United States Patent and Trademark Office*