



US00D606621S

(12) **United States Design Patent**
Larsson et al.

(10) **Patent No.:** **US D606,621 S**
(45) **Date of Patent:** **** Dec. 22, 2009**

(54) **FILTER ELEMENT**

D455,826 S * 4/2002 Gillingham et al. D23/365
7,314,556 B2 * 1/2008 Sheets et al. 210/331

(75) Inventors: **Hans F. Larsson**, Nynashamn (SE);
Kjell Gustafsson, Nynashamn (SE)

FOREIGN PATENT DOCUMENTS

(73) Assignee: **Nordic Water Products AB**,
Nynashamn (SE)

DE 40705114.7 1/2008

(**) Term: **14 Years**

OTHER PUBLICATIONS

(21) Appl. No.: **29/323,499**

Russian Office Action dated Apr. 17, 2009.

(22) Filed: **Aug. 26, 2008**

* cited by examiner

(30) **Foreign Application Priority Data**

Feb. 27, 2008 (EM) 000886569-0001

Primary Examiner—Robin V Webster
(74) *Attorney, Agent, or Firm*—Young & Thompson

(51) **LOC (9) Cl.** **23-01**

(52) **U.S. Cl.** **D23/209**

(58) **Field of Classification Search** D23/207,
D23/209; 210/330, 331, 344–347
See application file for complete search history.

(57) **CLAIM**

The ornamental design for a filter element, as shown.

(56) **References Cited**

U.S. PATENT DOCUMENTS

3,389,800 A * 6/1968 Roos 210/328
4,162,982 A * 7/1979 Chesner 210/486
5,258,120 A * 11/1993 Knodel et al. 210/232
5,635,062 A * 6/1997 Cameron et al. 210/232
5,893,972 A * 4/1999 Peterson 210/331
D409,739 S * 5/1999 Hood et al. D23/365
6,113,783 A * 9/2000 Strid et al. 210/331

DESCRIPTION

FIG. 1 is a top, front and side perspective view of a filter element showing our new design;

FIG. 2 is a front elevational view thereof;

FIG. 3 is a side elevational view thereof from the left of FIG. 2;

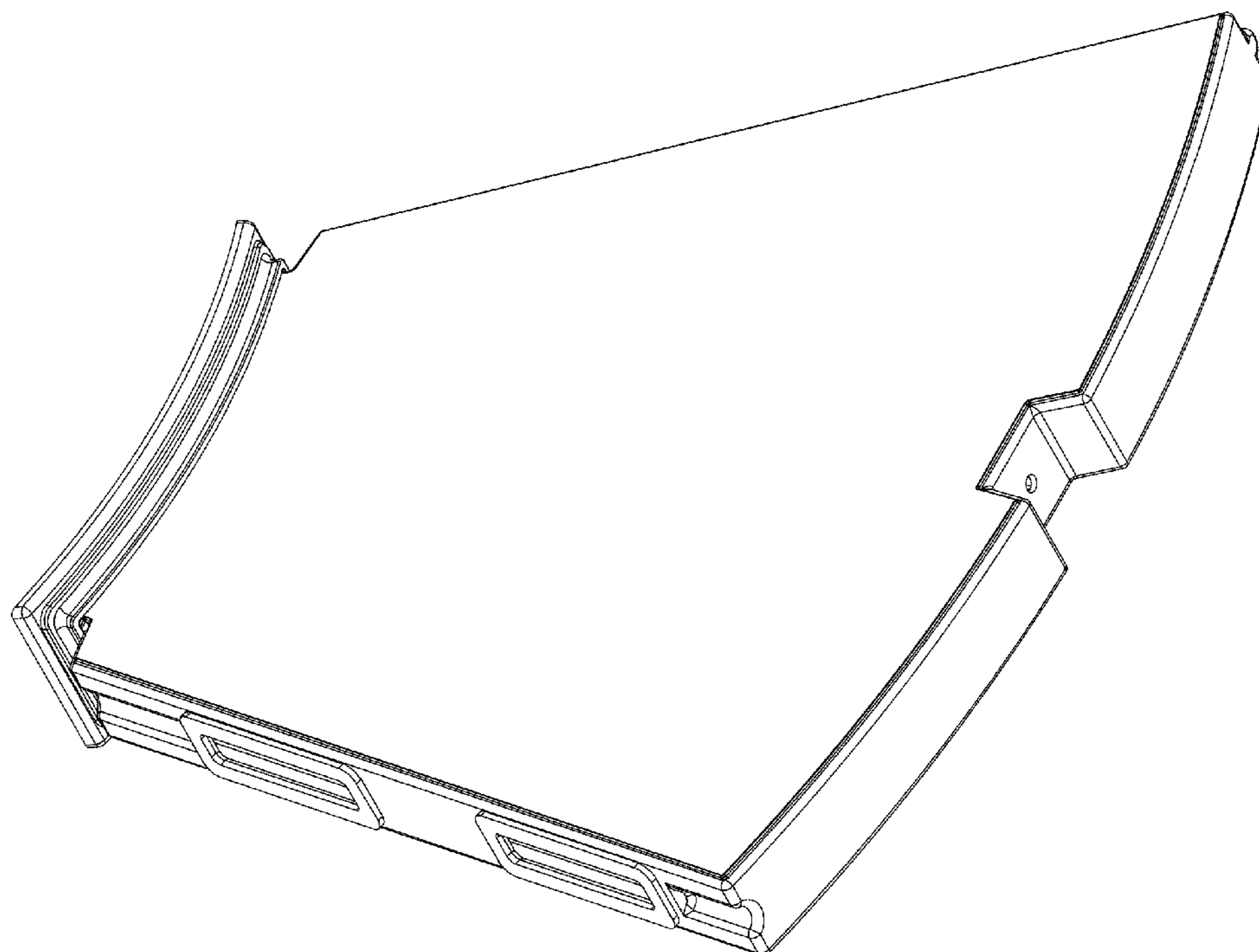
FIG. 4 is a side elevational view thereof from the right of FIG. 2;

FIG. 5 is a rear elevational view thereof;

FIG. 6 is a top plan view thereof; and,

FIG. 7 is a bottom plan view thereof.

1 Claim, 7 Drawing Sheets



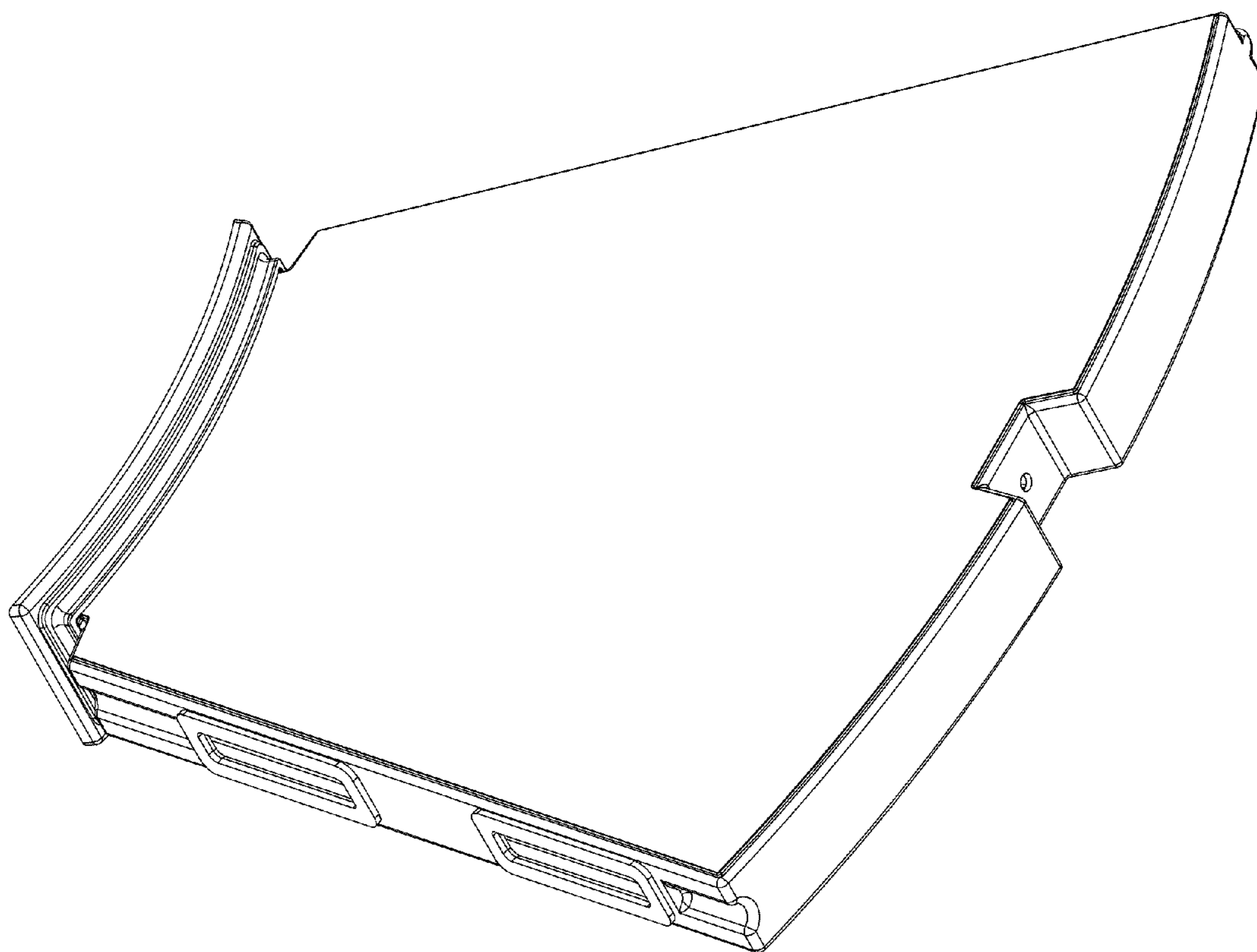


FIG. 1

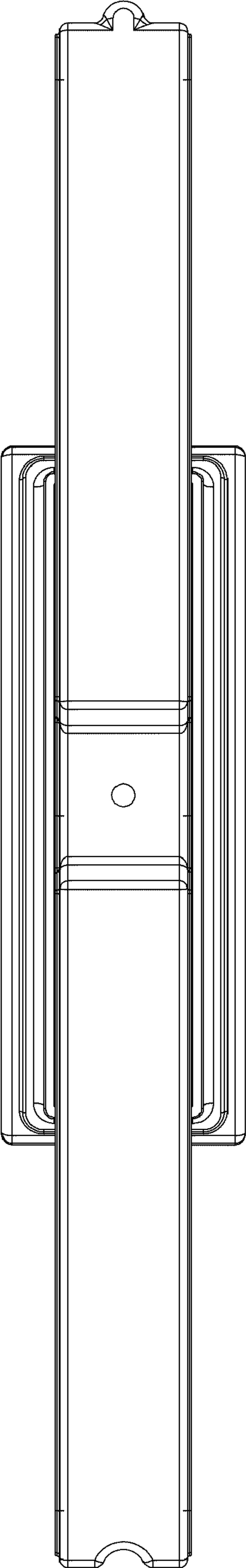


FIG. 2

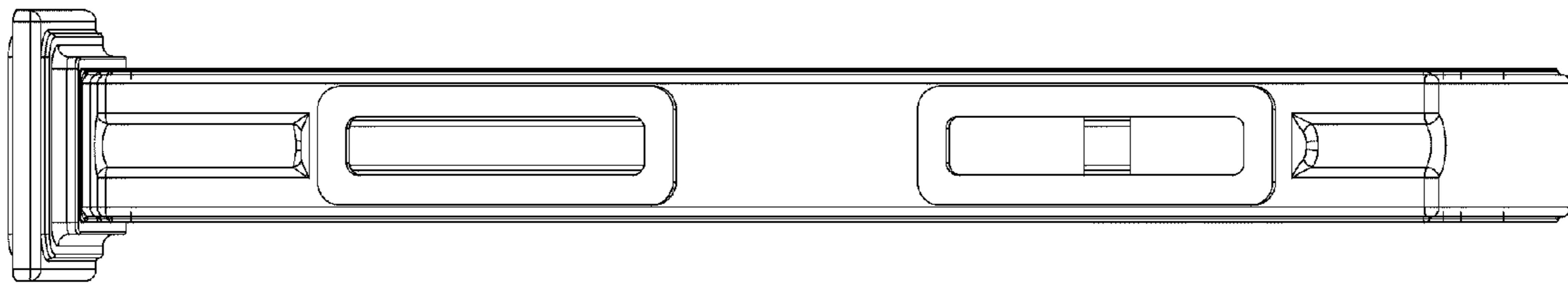


FIG. 3

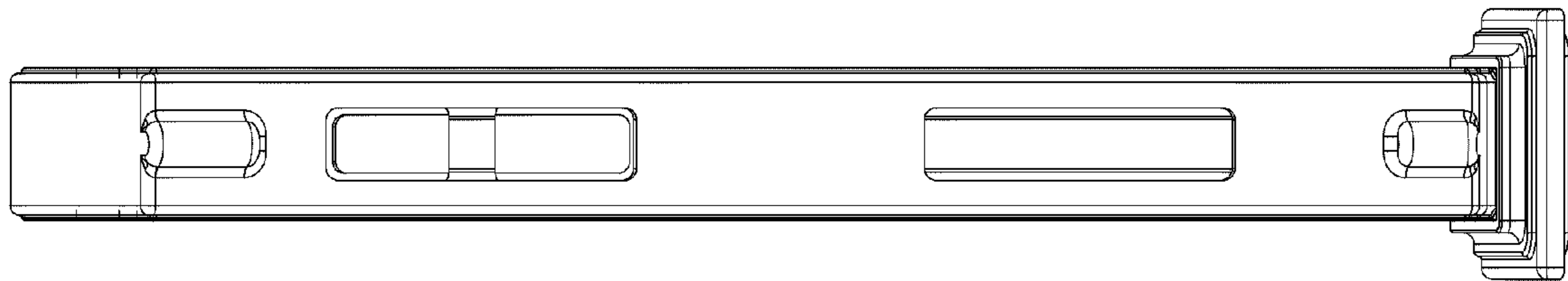


FIG. 4

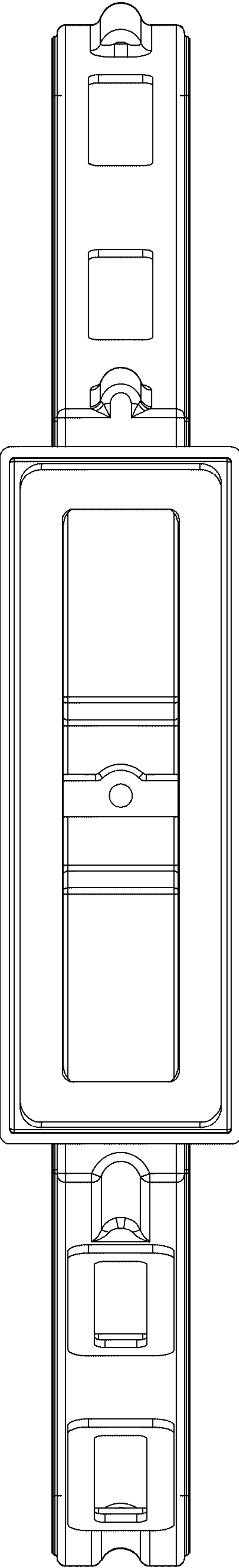


FIG. 5

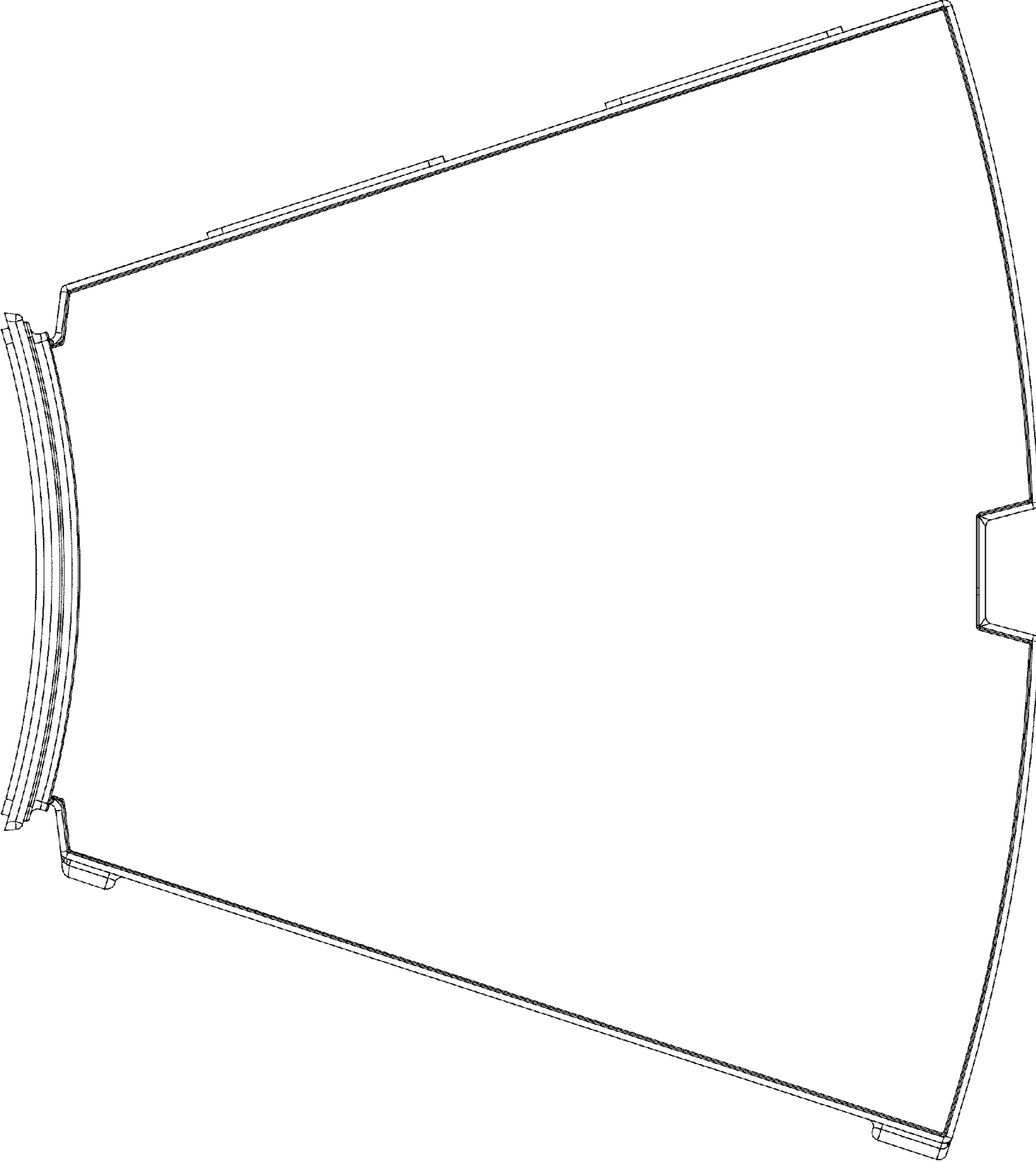


FIG. 6

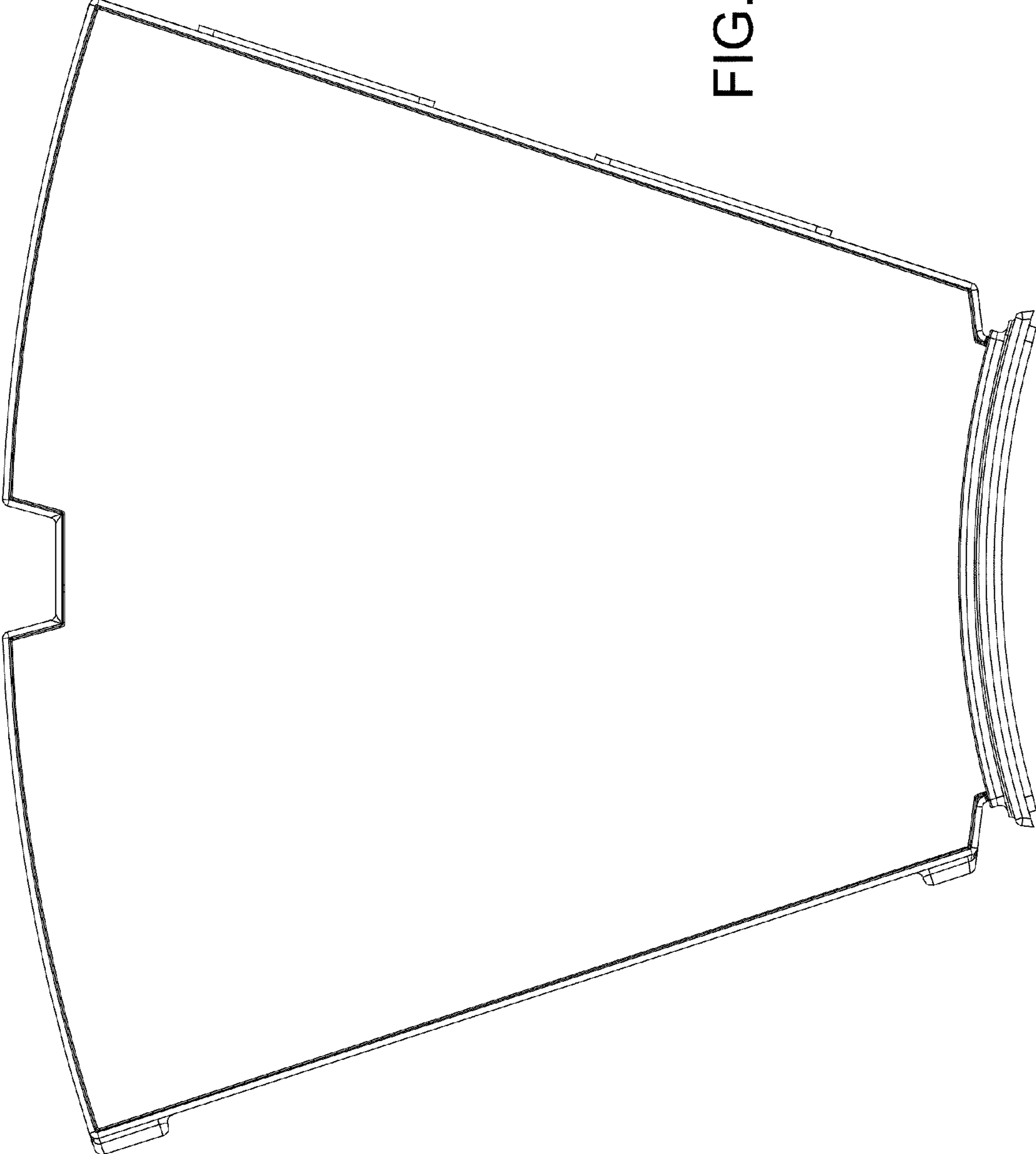


FIG. 7