

US00D606620S

(12) **United States Design Patent**  
**Lorenz**

(10) **Patent No.:** **US D606,620 S**

(45) **Date of Patent:** **\*\* Dec. 22, 2009**

(54) **FOUNTAIN MODULE WITH PUMP**

6,981,652 B2 \* 1/2006 Lin ..... 239/17  
D573,607 S \* 7/2008 Bulter ..... D15/7

(75) Inventor: **Michaela Lorenz**, Rheine (DE)

\* cited by examiner

(73) Assignee: **OASE GmbH**, Hörstel-Riesenbeck (DE)

*Primary Examiner*—Robin V Webster

(\*\*) Term: **14 Years**

(74) *Attorney, Agent, or Firm*—Gudrun E Hockett

(21) Appl. No.: **29/304,952**

(57) **CLAIM**

(22) Filed: **Mar. 11, 2008**

The ornamental design for a fountain module with pump, as shown and described.

(30) **Foreign Application Priority Data**

Sep. 11, 2007 (DE) ..... 4 07 04 522

**DESCRIPTION**

(51) **LOC (9) Cl.** ..... **23-01**

FIG. 1 is a first perspective top view of my fountain module with pump;

(52) **U.S. Cl.** ..... **D23/201**

FIG. 2 is a second perspective top view of my fountain module with pump;

(58) **Field of Classification Search** ..... D23/201,  
D23/231–232; 239/17–21, 16, 23; D15/7;  
417/360, 375–376

FIG. 3 is a bottom plan view of my fountain module with pump;

See application file for complete search history.

FIG. 4 is a side view of my fountain module with pump;

(56) **References Cited**

FIG. 5 is a first end view of my fountain module with pump; and,

**U.S. PATENT DOCUMENTS**

FIG. 6 is a second end view of my fountain module with pump.

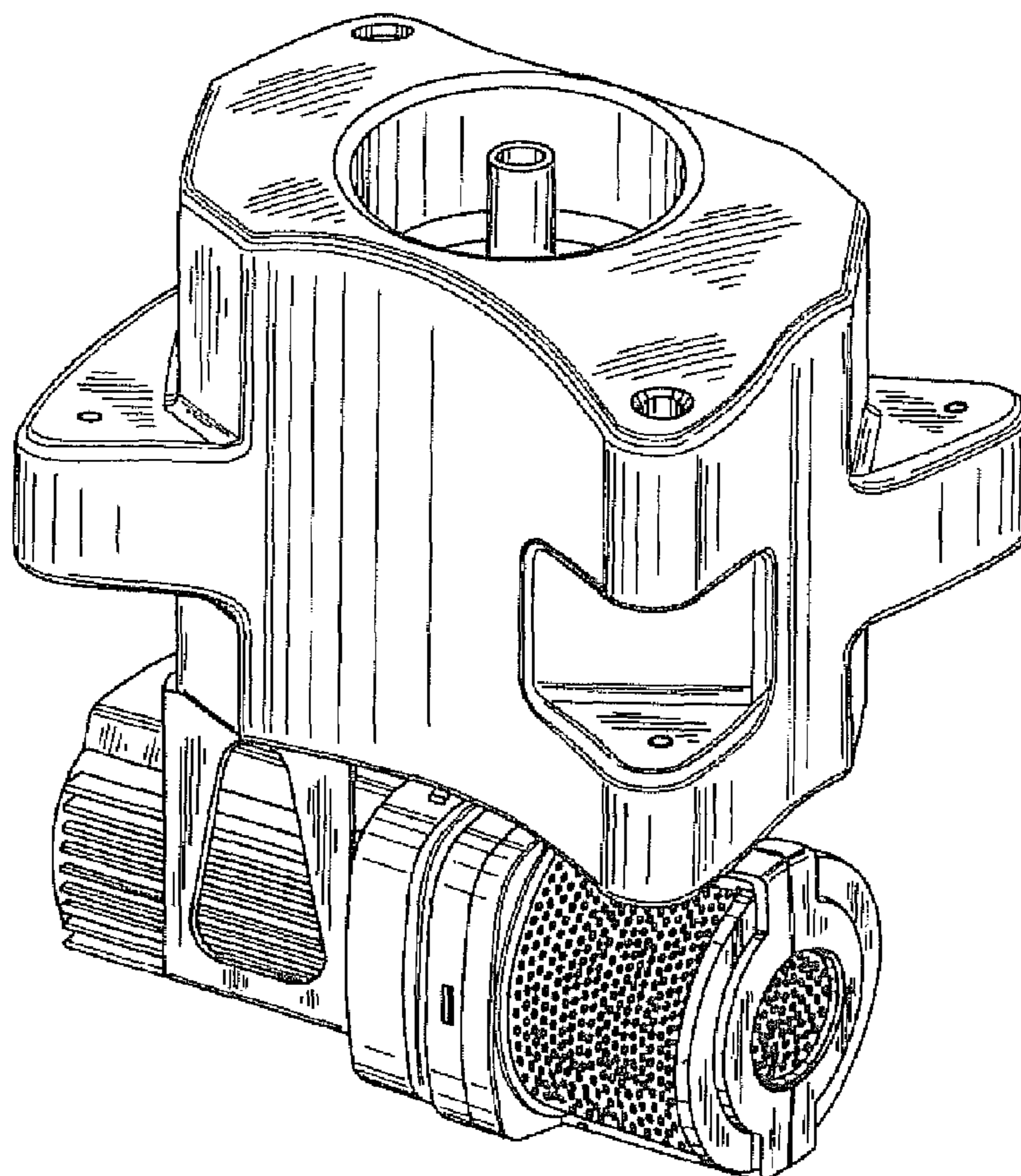
3,393,643 A \* 7/1968 Herman ..... 415/7

D380,479 S \* 7/1997 Cantley et al. .... D15/7

D438,876 S \* 3/2001 Clivio ..... D15/7

D475,116 S \* 5/2003 Chan ..... D23/201

**1 Claim, 6 Drawing Sheets**



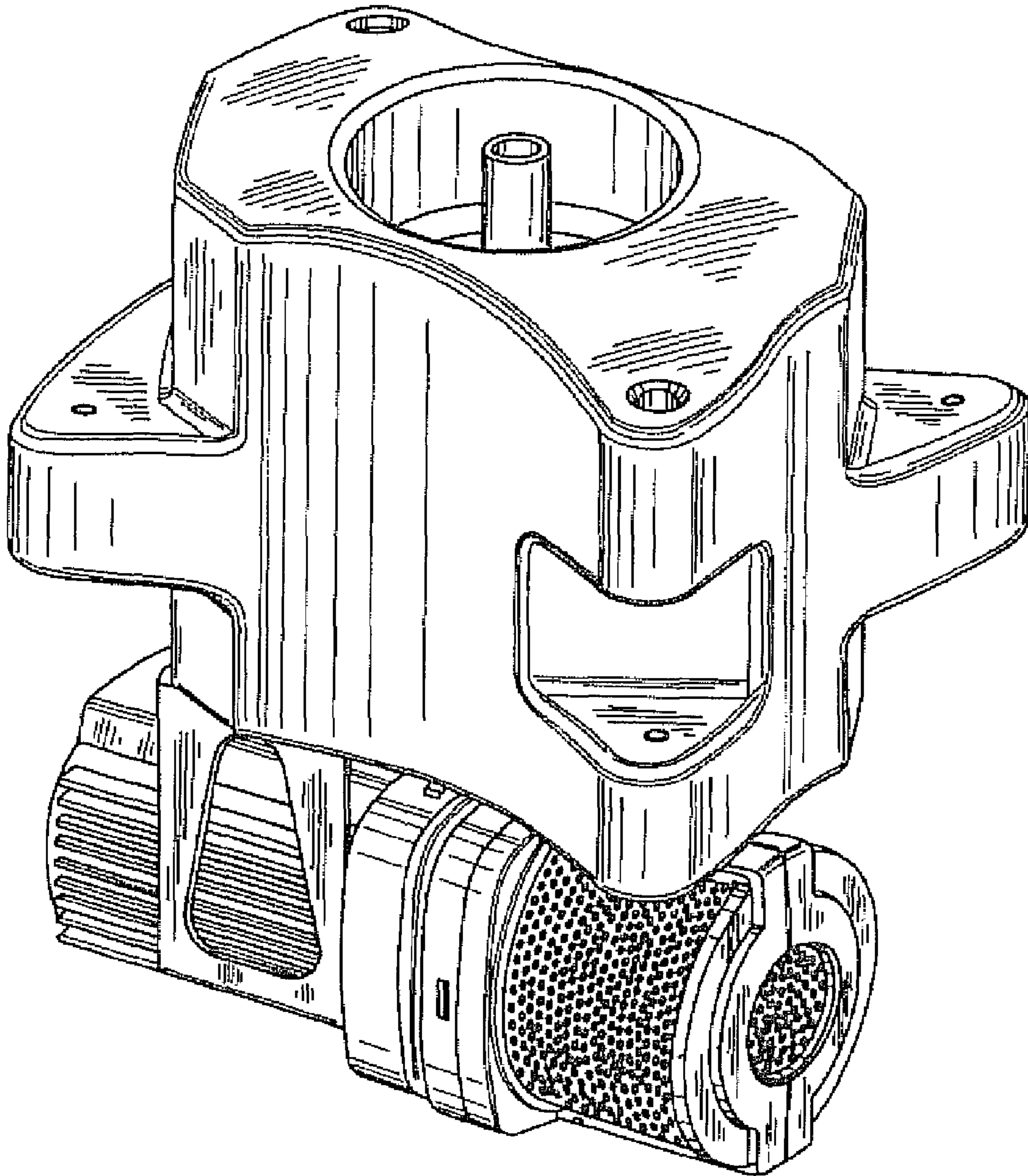


Fig.1

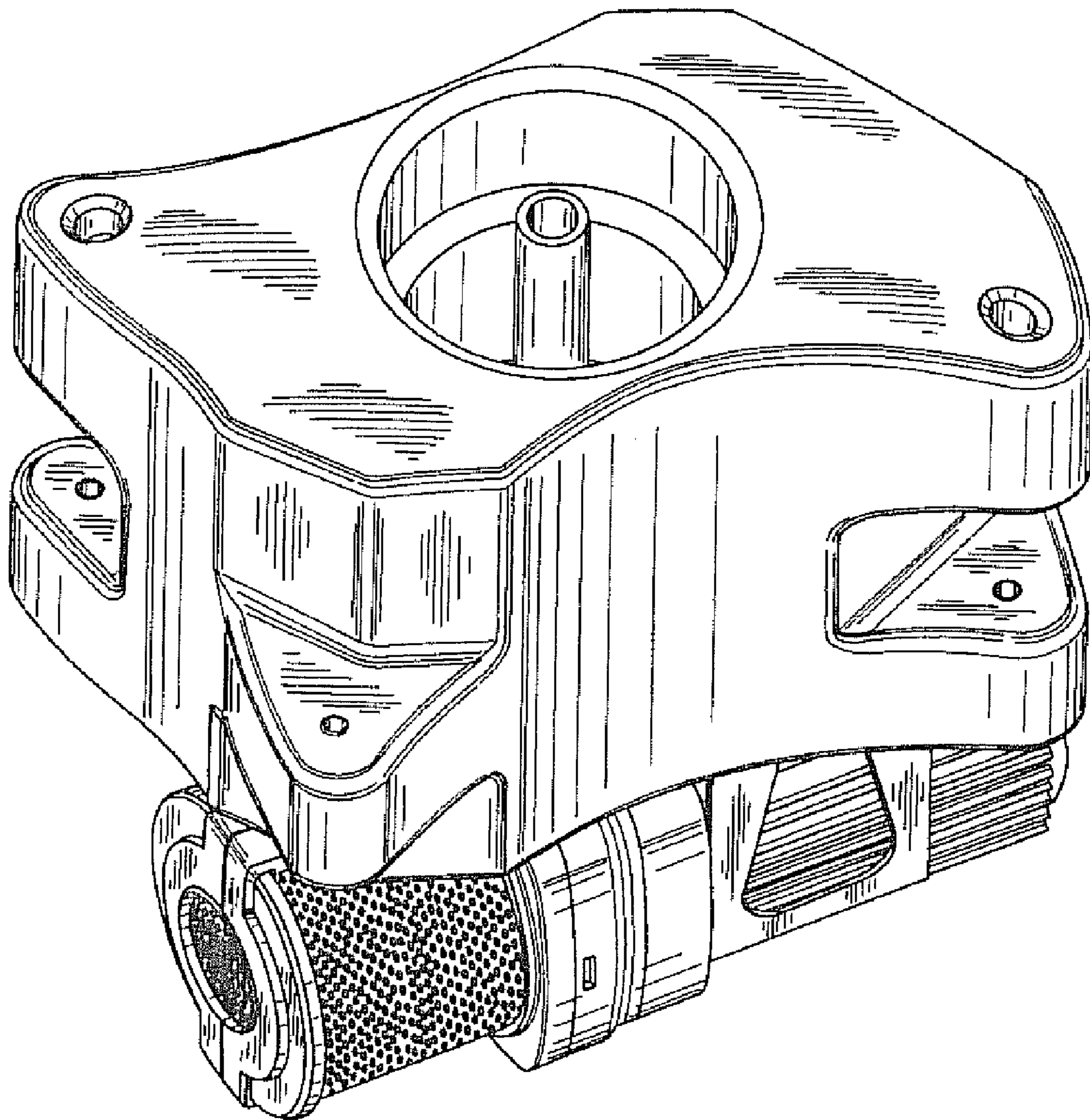


Fig.2

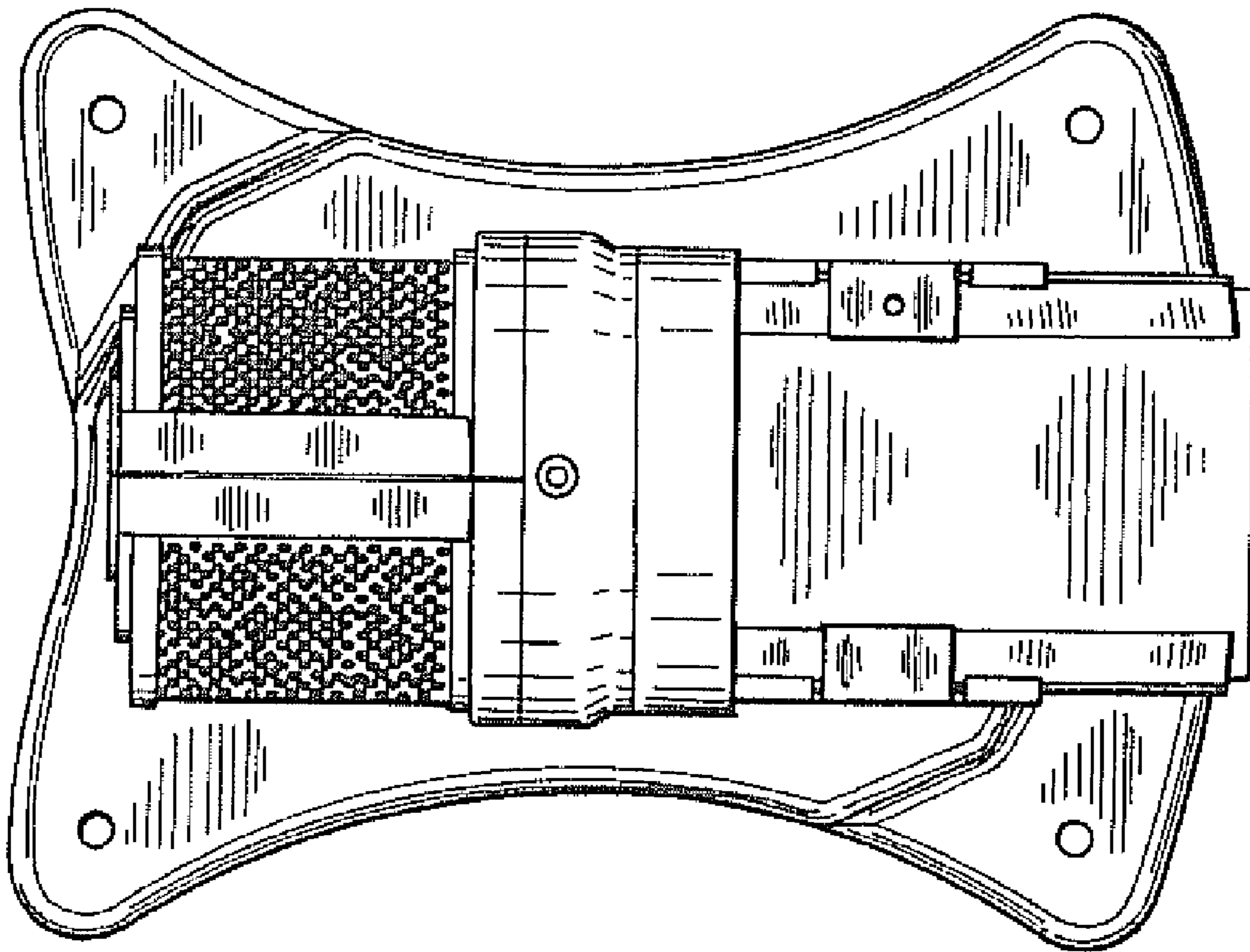


Fig. 3

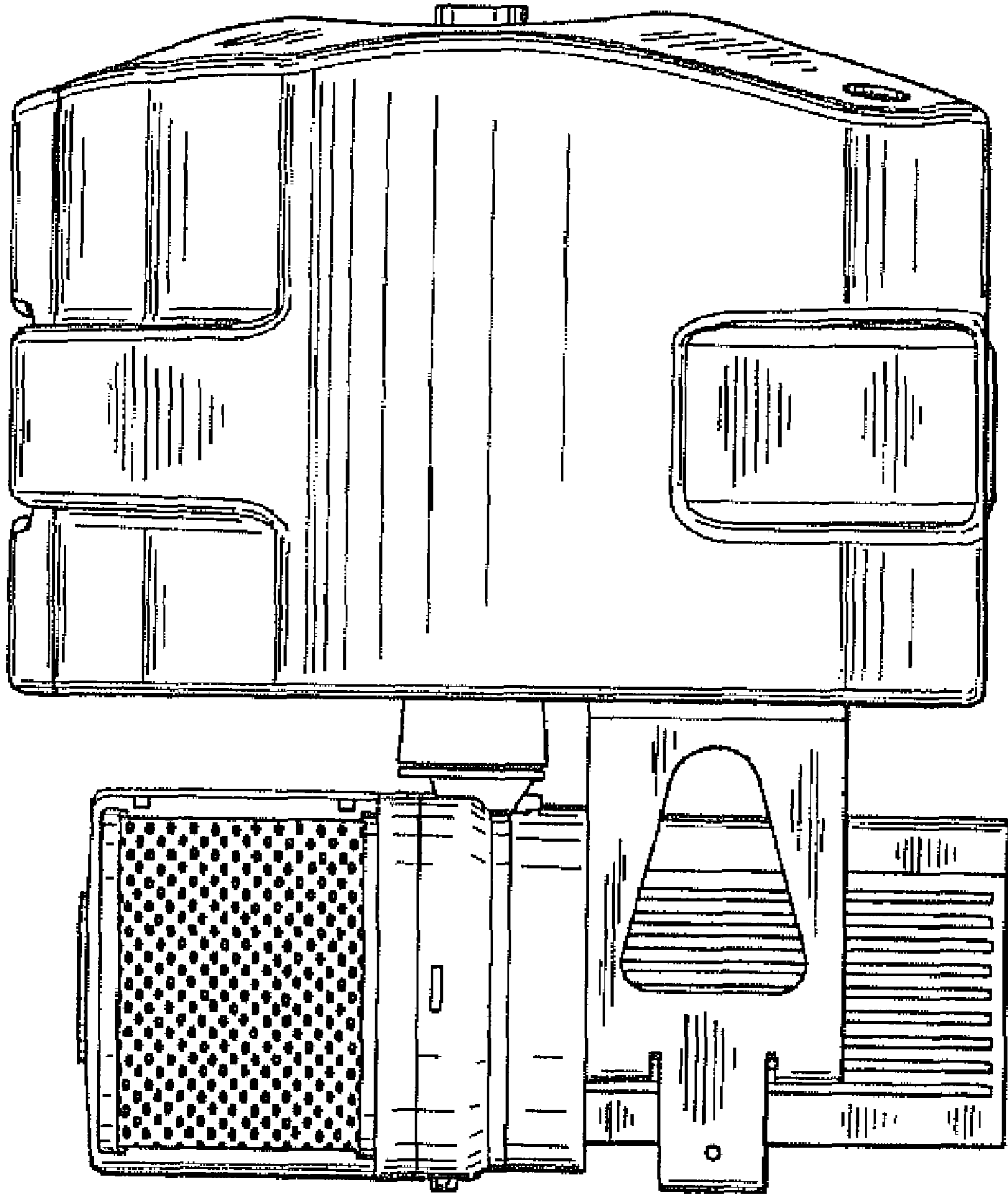


Fig.4

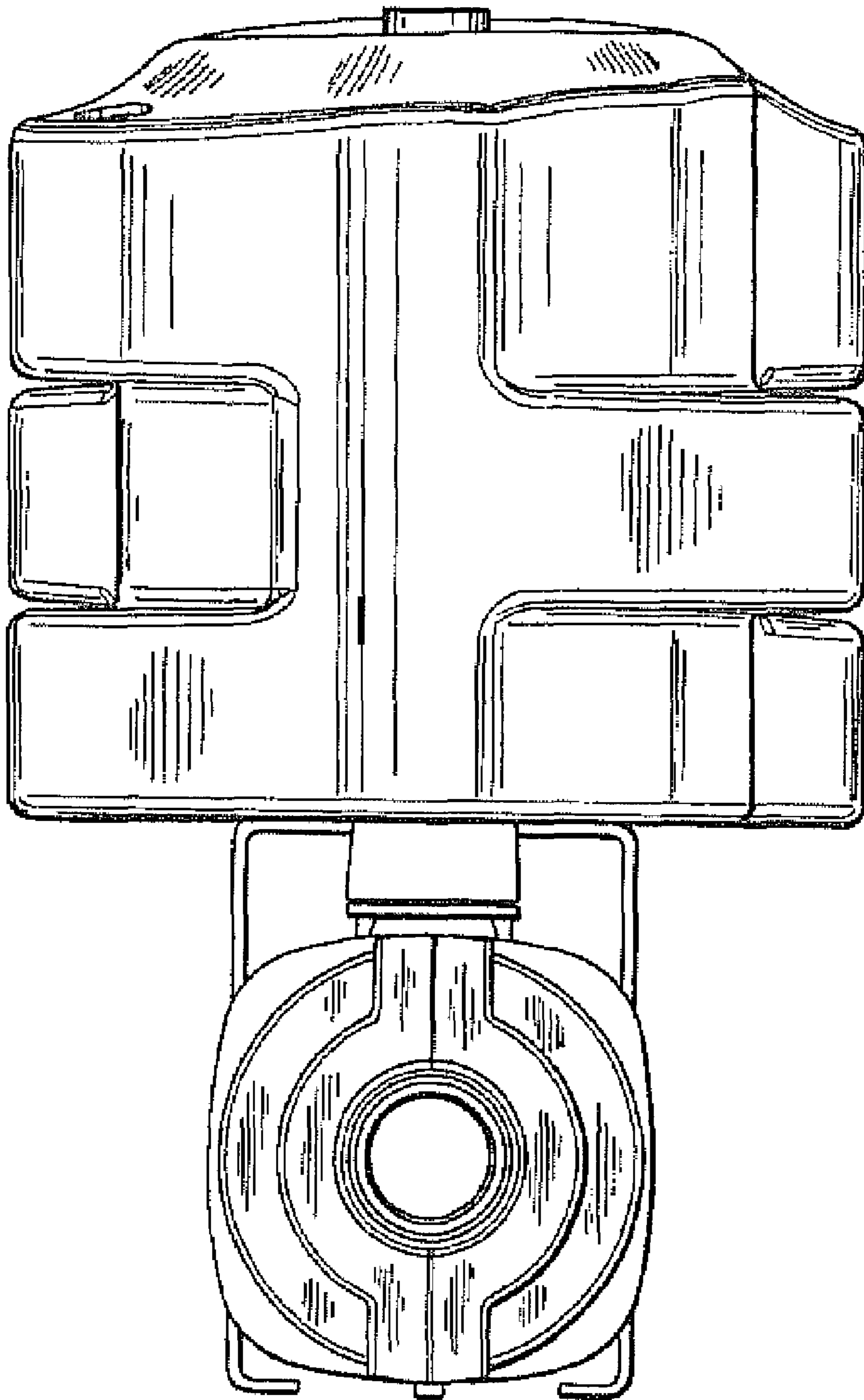


Fig.5

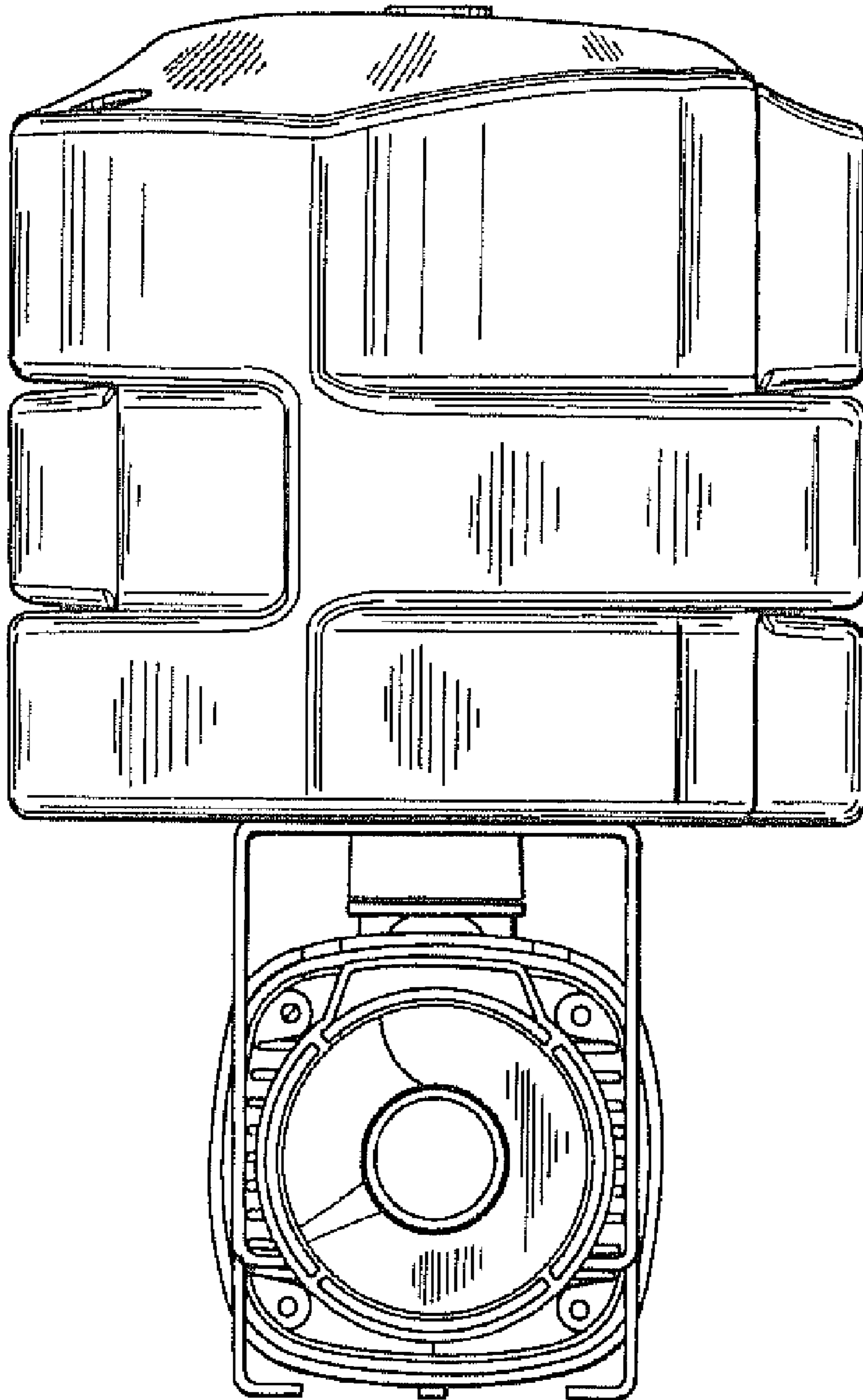


Fig. 6