



US00D606616S

(12) **United States Design Patent**  
**Loya**

(10) **Patent No.:** **US D606,616 S**  
(45) **Date of Patent:** **\*\* Dec. 22, 2009**

(54) **SHOOTING SUPPORT**

(76) **Inventor:** **Ken Loya**, 411 Cameron Road,  
Mattawa, ON (CA) P0H 1V0

(\*\*) **Term:** **14 Years**

(21) **Appl. No.:** **29/297,117**

(22) **Filed:** **Nov. 5, 2007**

(30) **Foreign Application Priority Data**

Jul. 30, 2007 (CA) ..... 121658

(51) **LOC (9) Cl.** ..... **22-01**

(52) **U.S. Cl.** ..... **D22/108**

(58) **Field of Classification Search** ..... D22/100,  
D22/108, 199; D8/1, 380, 381; D6/417,  
D6/552; 42/94; 89/37.04; 211/64, 89; 248/872,  
248/156, 530  
See application file for complete search history.

(56) **References Cited**

**U.S. PATENT DOCUMENTS**

46,365	A	2/1865	Kinman	
664,979	A *	1/1901	Taylor	42/94
759,593	A	5/1904	Cover	
941,640	A	11/1909	Lawson	
3,390,477	A	7/1968	Galbraith	
4,575,964	A *	3/1986	Griffin	42/94
4,676,021	A *	6/1987	Groba	42/94
5,060,409	A	10/1991	Caustic	
5,180,874	A *	1/1993	Troncoso, Jr	42/72
5,241,771	A	9/1993	Caustic	
D382,035	S *	8/1997	Swicegood	D22/108

5,692,713	A	12/1997	Xiao	
5,778,589	A *	7/1998	Teague	42/94
5,819,461	A	10/1998	Killian	
6,016,620	A *	1/2000	Morgan	42/94
7,493,719	B2 *	2/2009	Lackey	42/94

\* cited by examiner

*Primary Examiner*—T. Chase Nelson

*Assistant Examiner*—Michael A Pratt

(74) *Attorney, Agent, or Firm*—Andrew D. Sojonky; Borden  
Ladner Gervais LLP

(57) **CLAIM**

I claim the ornamental design for an shooting support, as shown and described.

**DESCRIPTION**

FIG. 1 is a perspective view of the shooting support in accordance with the present design;

FIGS. 2 and 3 are right and left side elevational views of the design of FIG. 1;

FIGS. 4 and 5 are front and rear elevational views of the design;

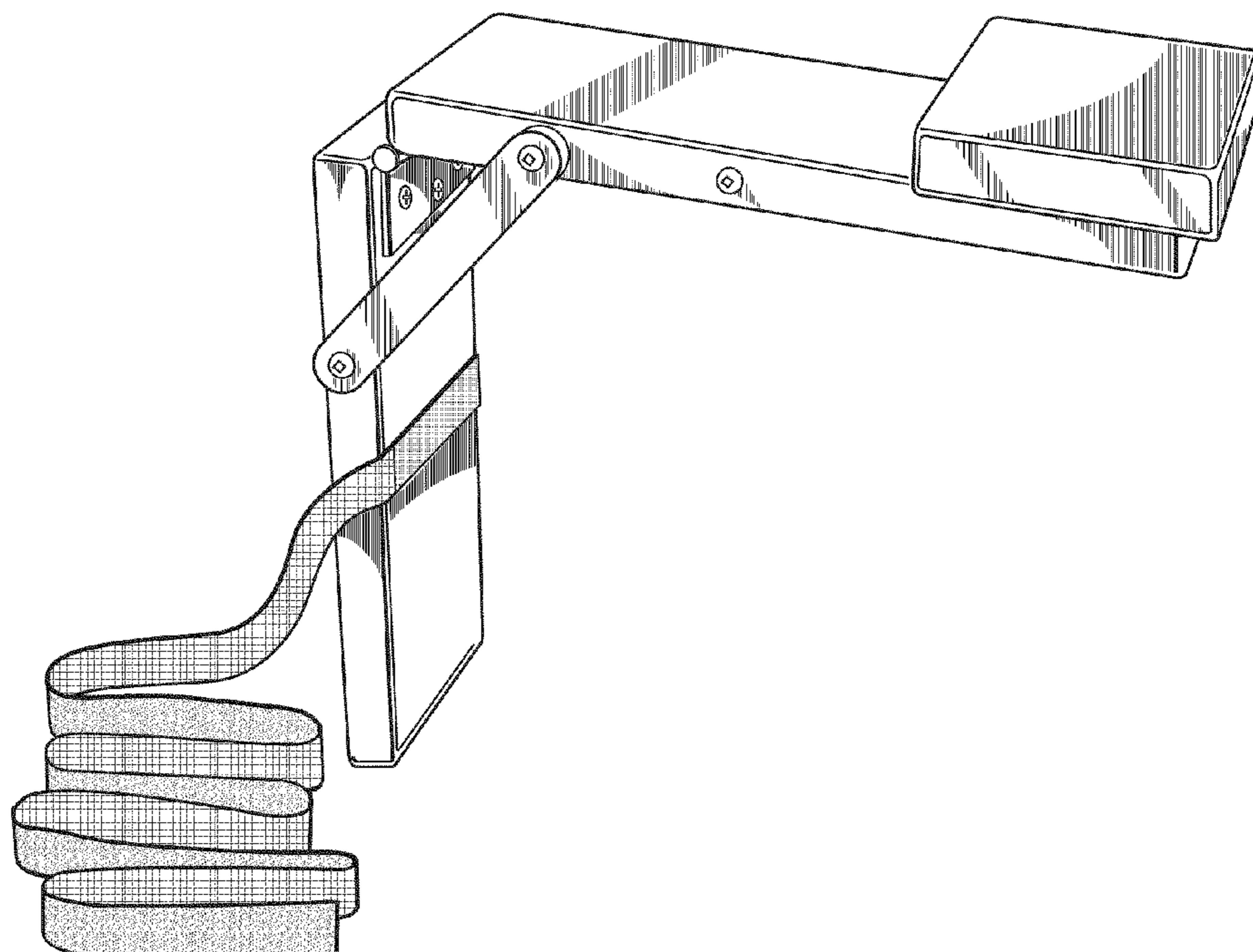
FIGS. 6 and 7 are top and bottom views of the design; and,

FIG. 8 illustrates the design in the environment in which it is normally used.

The broken lines showing of a rifle and human figure in FIG. 8 is included for the purpose of illustrating environment and forms no part of the claimed design.

The design is the appearance of the shooting support as shown in the drawings.

**1 Claim, 4 Drawing Sheets**



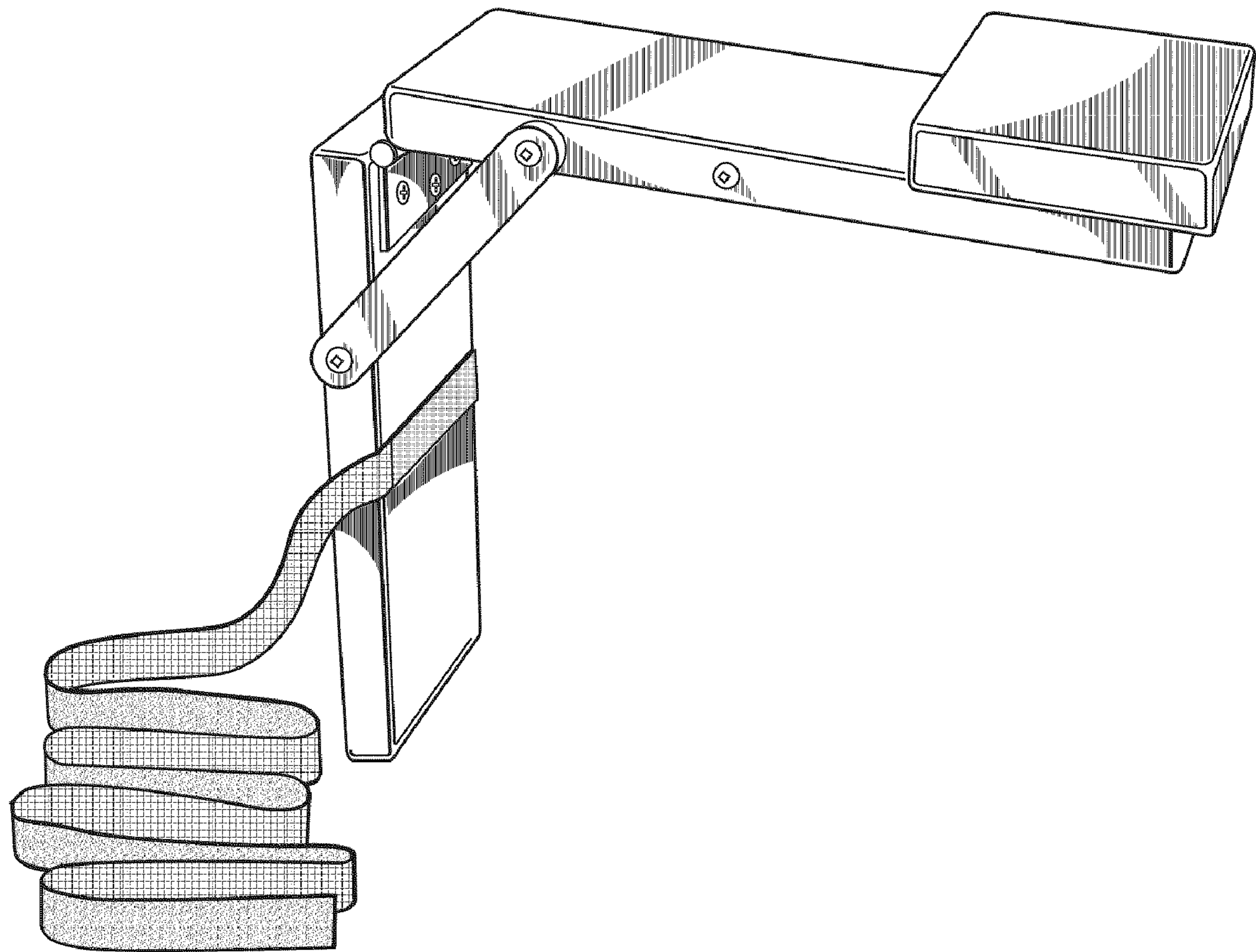
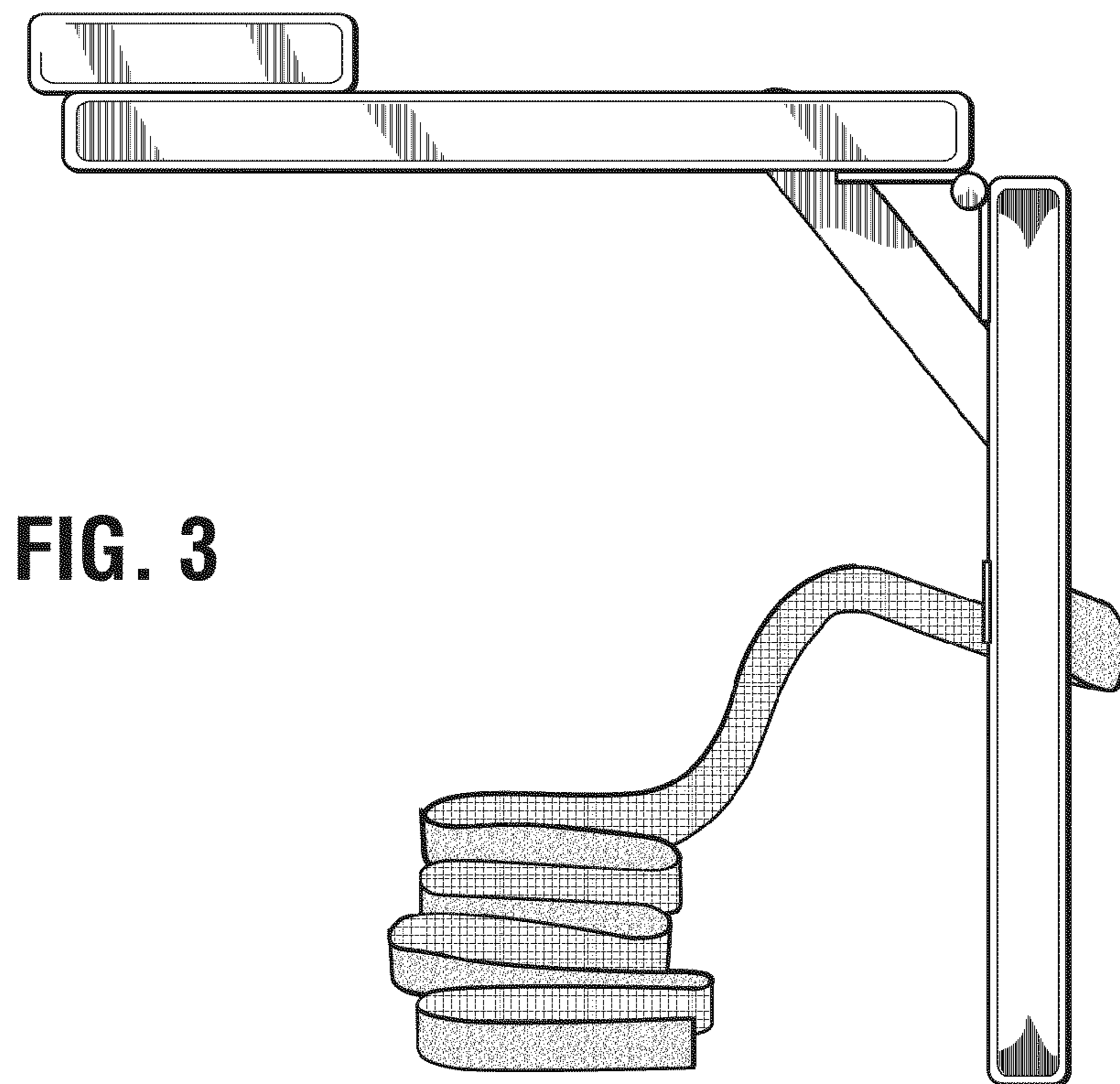
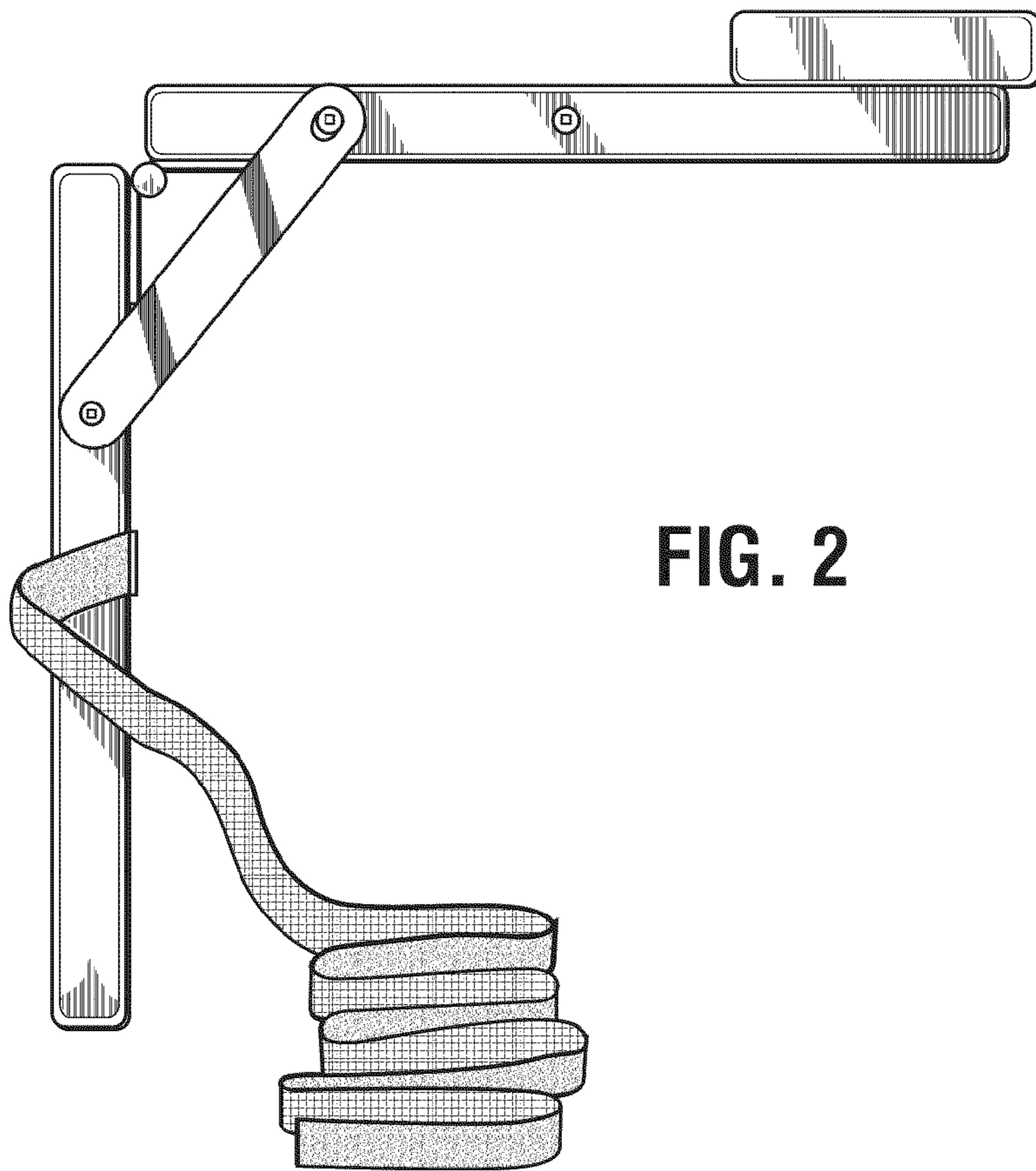


FIG. 1





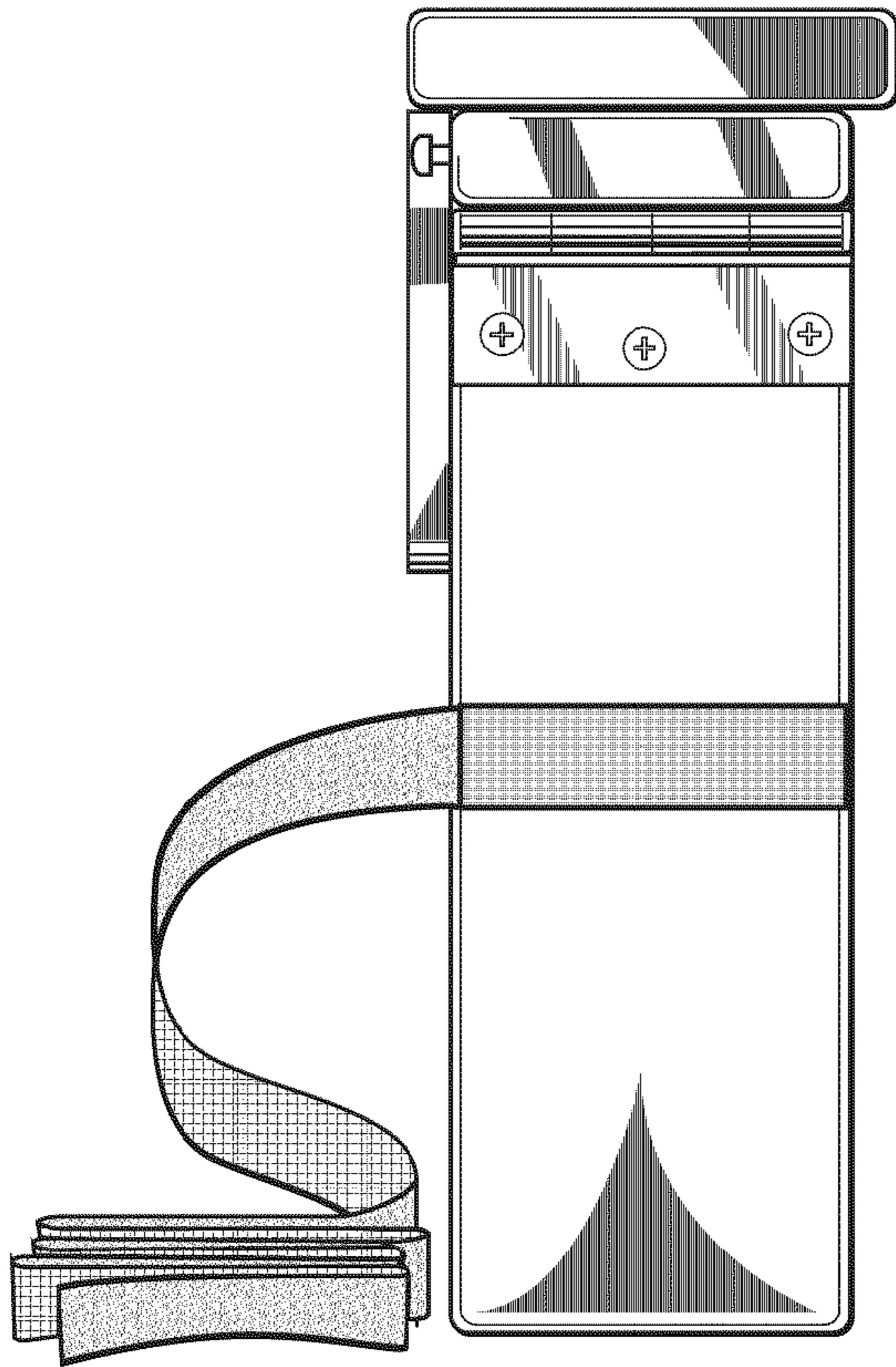


FIG. 4

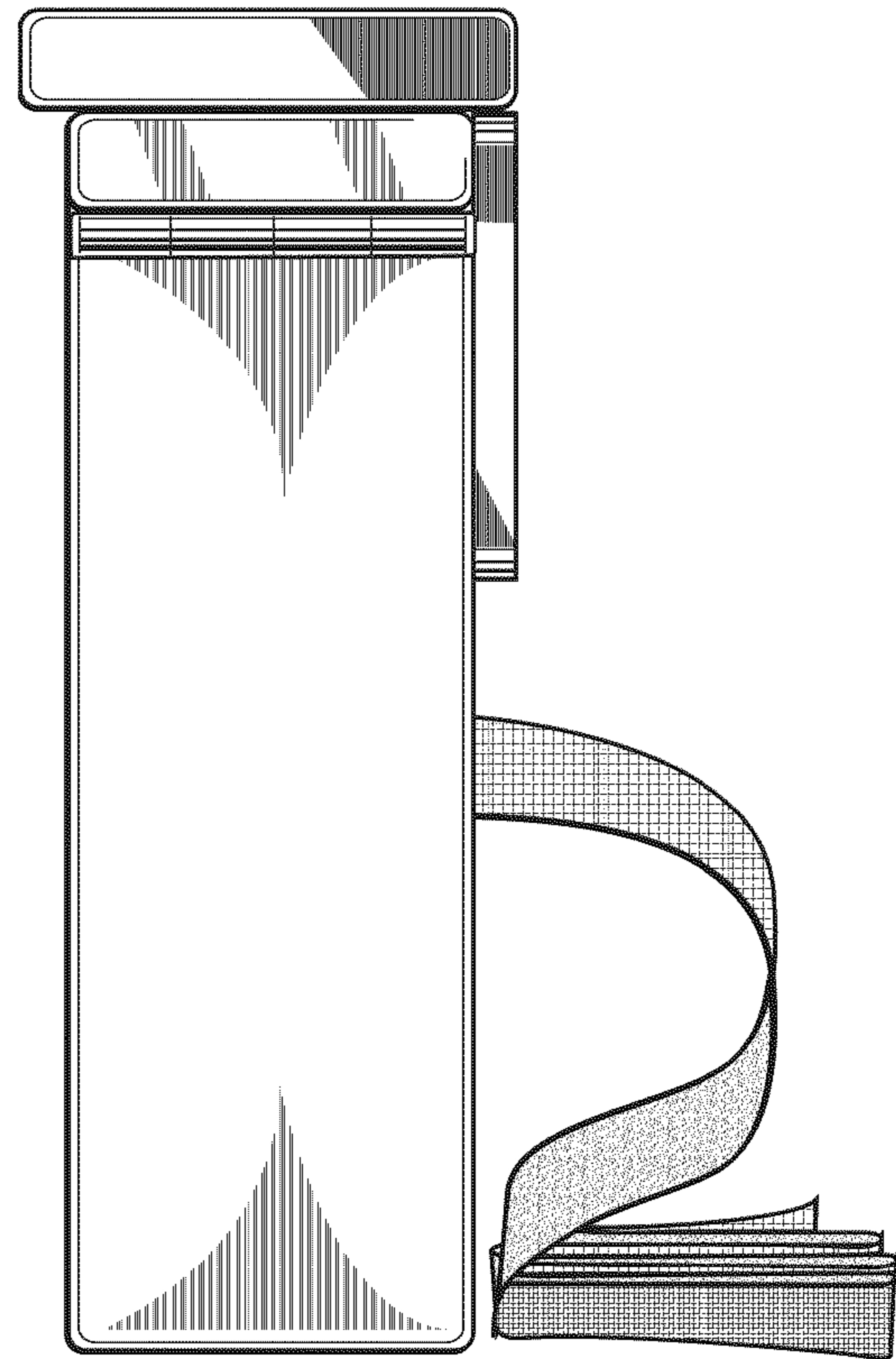


FIG. 5

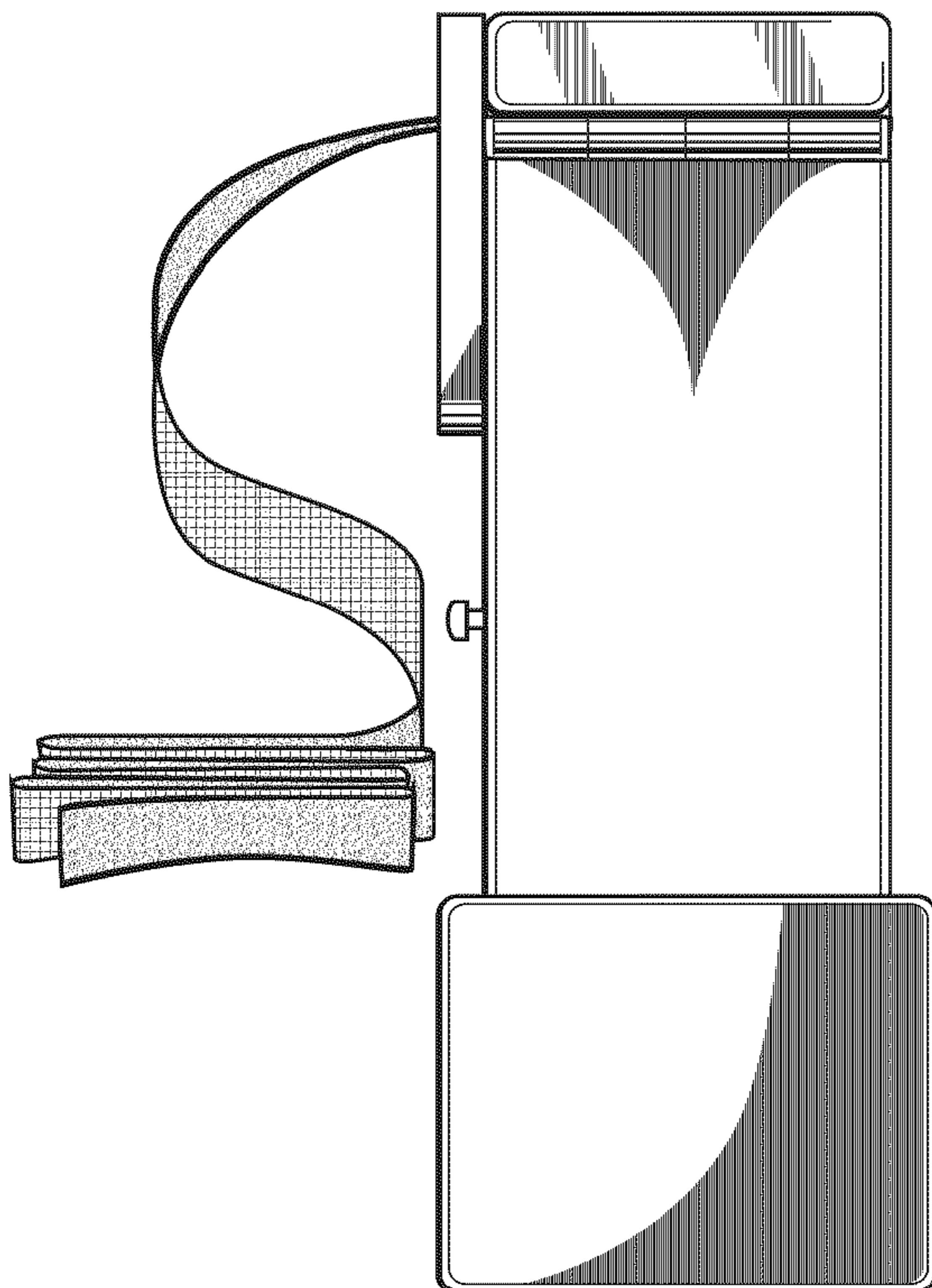


FIG. 6

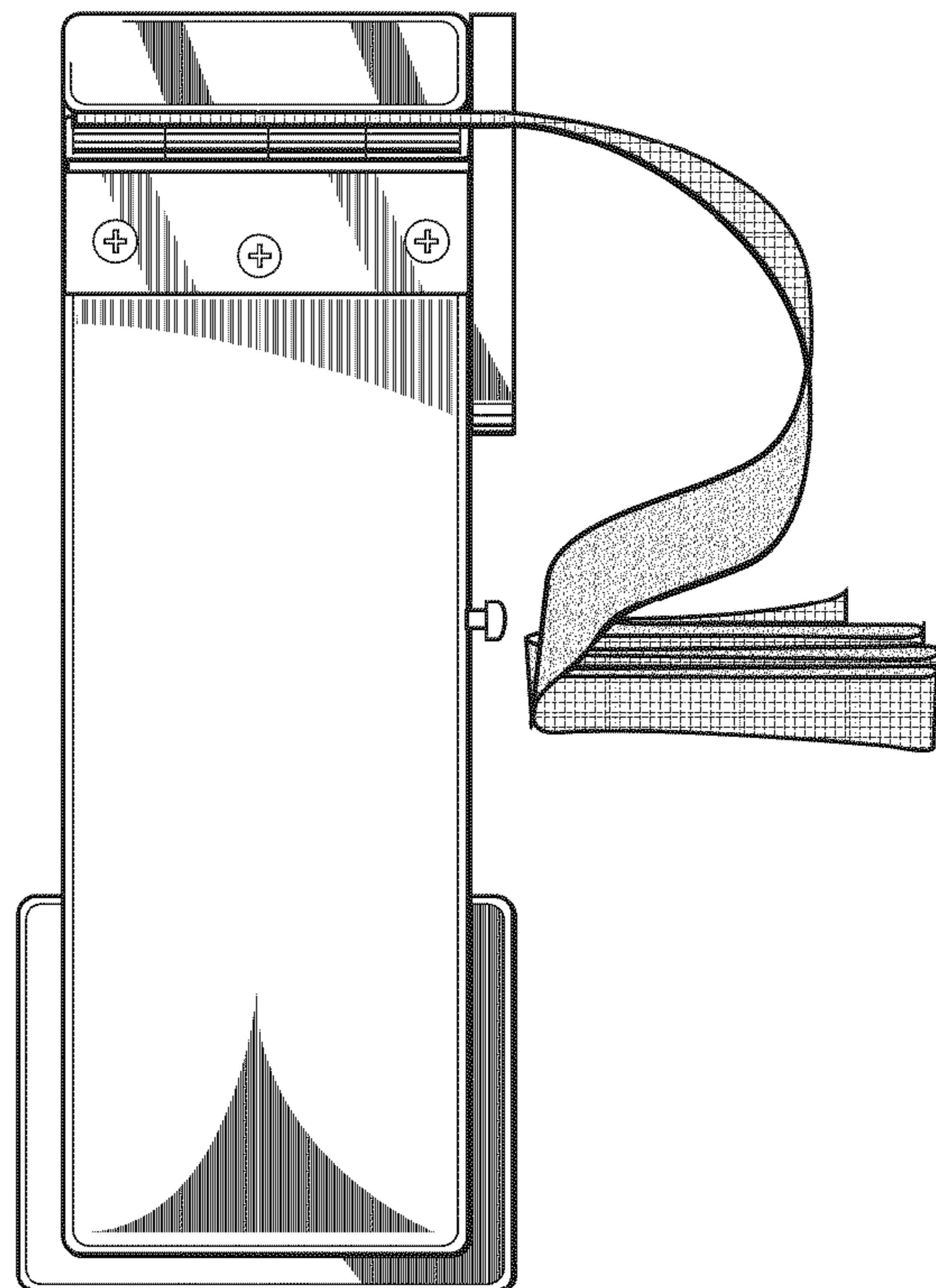
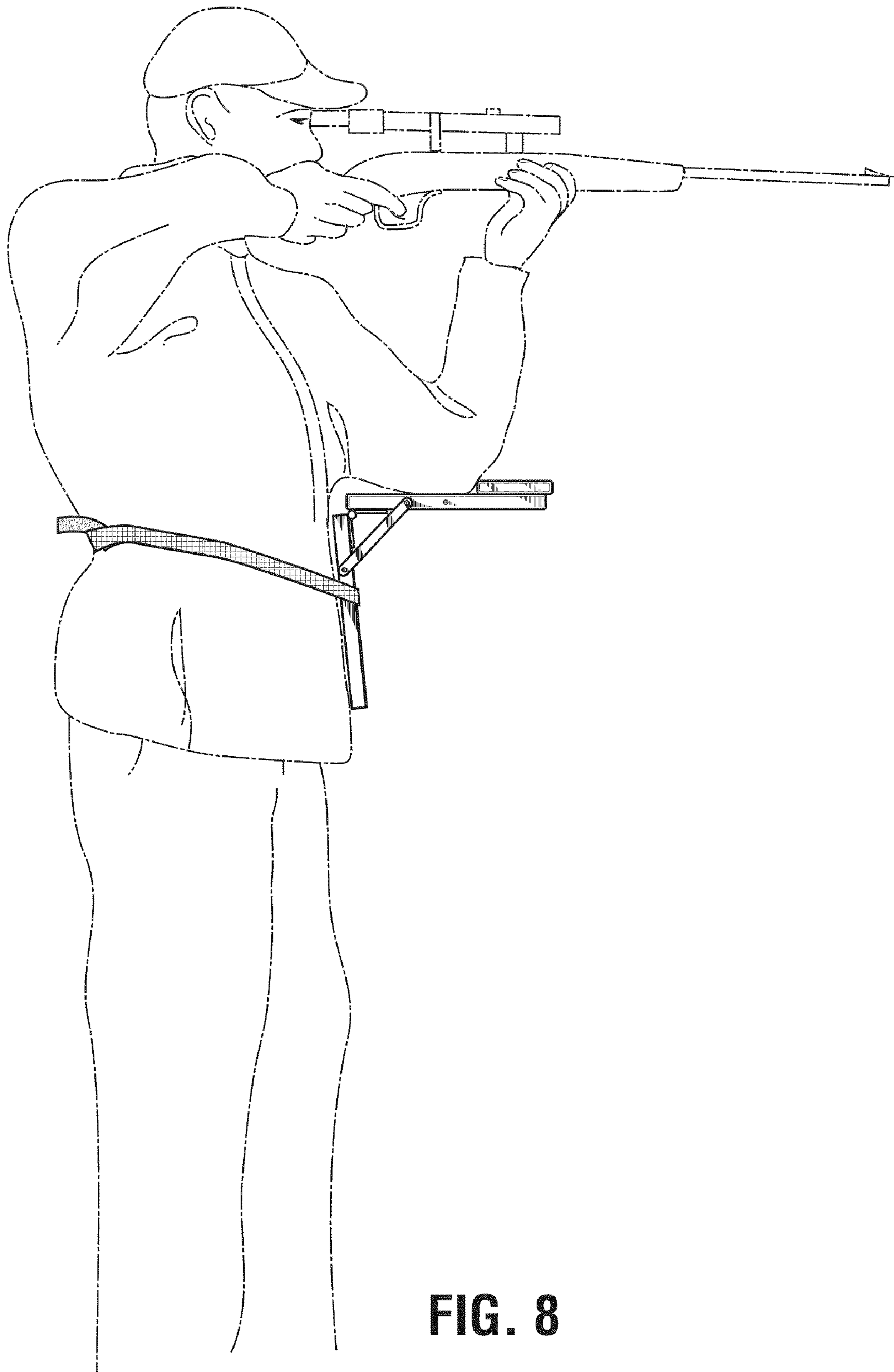


FIG. 7



**FIG. 8**