



US00D606614S

(12) **United States Design Patent**
Fitzpatrick et al.

(10) **Patent No.:** **US D606,614 S**

(45) **Date of Patent:** **** Dec. 22, 2009**

(54) **AUTOMATIC RIFLE**

(75) Inventors: **Richard Fitzpatrick**, Longmont, CO (US); **Michael T Mayberry**, Denver, CO (US); **Brian Nakayama**, Arvada, CO (US)

(73) Assignee: **Magpul Industries Corporation**, Boulder, CO (US)

(**) Term: **14 Years**

(21) Appl. No.: **29/302,198**

(22) Filed: **Jan. 11, 2008**

(51) **LOC (9) Cl.** **22-01**

(52) **U.S. Cl.** **D22/103**

(58) **Field of Classification Search** D22/100, D22/101, 103, 108; D21/572, 573; 42/51, 42/71.01, 75.01, 75.02, 90; 362/110; 124/66, 124/67, 74; 89/40.06, 37.04, 33.04
See application file for complete search history.

(56) **References Cited**

U.S. PATENT DOCUMENTS

3,939,589	A	2/1976	Tellie	
5,343,650	A	9/1994	Swan	
5,900,577	A *	5/1999	Robinson et al.	89/191.01
6,598,330	B2	7/2003	Garrett	
6,637,141	B1	10/2003	Weatherby	
6,895,708	B2	5/2005	Kim	

(Continued)

OTHER PUBLICATIONS

U.S. Appl. No. 12/013,217, filed Jan. 11, 2008, "Ambidextrous Push-Button Magazine Release for Side-Locking Ammunition Magazines" by Mayberry.

U.S. Appl. No. 12/013,226, filed Jan. 11, 2008, "Adjustable Cheek Piece for a Firearm Butt Stock" by Fitzpatrick.

U.S. Appl. No. 29/302,200, filed Jan. 11, 2008, "Firearm Upper Receiver with Long Forend" by Fitzpatrick.

U.S. Appl. No. 29/302,203, filed Jan. 11, 2008, "Lower Grip Housing for a Firearm Using an M16 Magazine" by Fitzpatrick.

U.S. Appl. No. 29/302,205, filed Jan. 11, 2008, "Lower Grip Housing for a Firearm Using an AK-47 Magazine" by Fitzpatrick.

U.S. Appl. No. 29/302,206, filed Jan. 11, 2008, "Firearm Stock" by Fitzpatrick.

U.S. Appl. No. 12/359,096, filed Jan. 11, 2008, "Rail Cover Panel for a Firearm" by Fitzpatrick.

U.S. Appl. No. 29/331,379, filed Jan. 23, 2009, "Rail Cover" by Fitzpatrick.

Primary Examiner—Cathron C Brooks

Assistant Examiner—Melanie Levy

(74) *Attorney, Agent, or Firm*—Swanson & Bratschun, L.L.C.

(57) **CLAIM**

The ornamental design for an automatic rifle, as shown and described.

DESCRIPTION

FIG. 1 is a block diagram illustrating the intended alignment of FIG. 1A and FIG. 1B;

FIG. 1A and FIG. 1B are a left side perspective view of an automatic rifle showing our new design;

FIG. 2 is a block diagram illustrating the intended alignment of FIG. 2A and FIG. 2B;

FIG. 2A and FIG. 2B are a right side perspective view of the automatic rifle of FIG. 1;

FIG. 3 is a left side elevation view of the automatic rifle of FIG. 1;

FIG. 4 is a right side elevation view of the automatic rifle of FIG. 1;

FIG. 5 is a top plan view of the automatic rifle of FIG. 1;

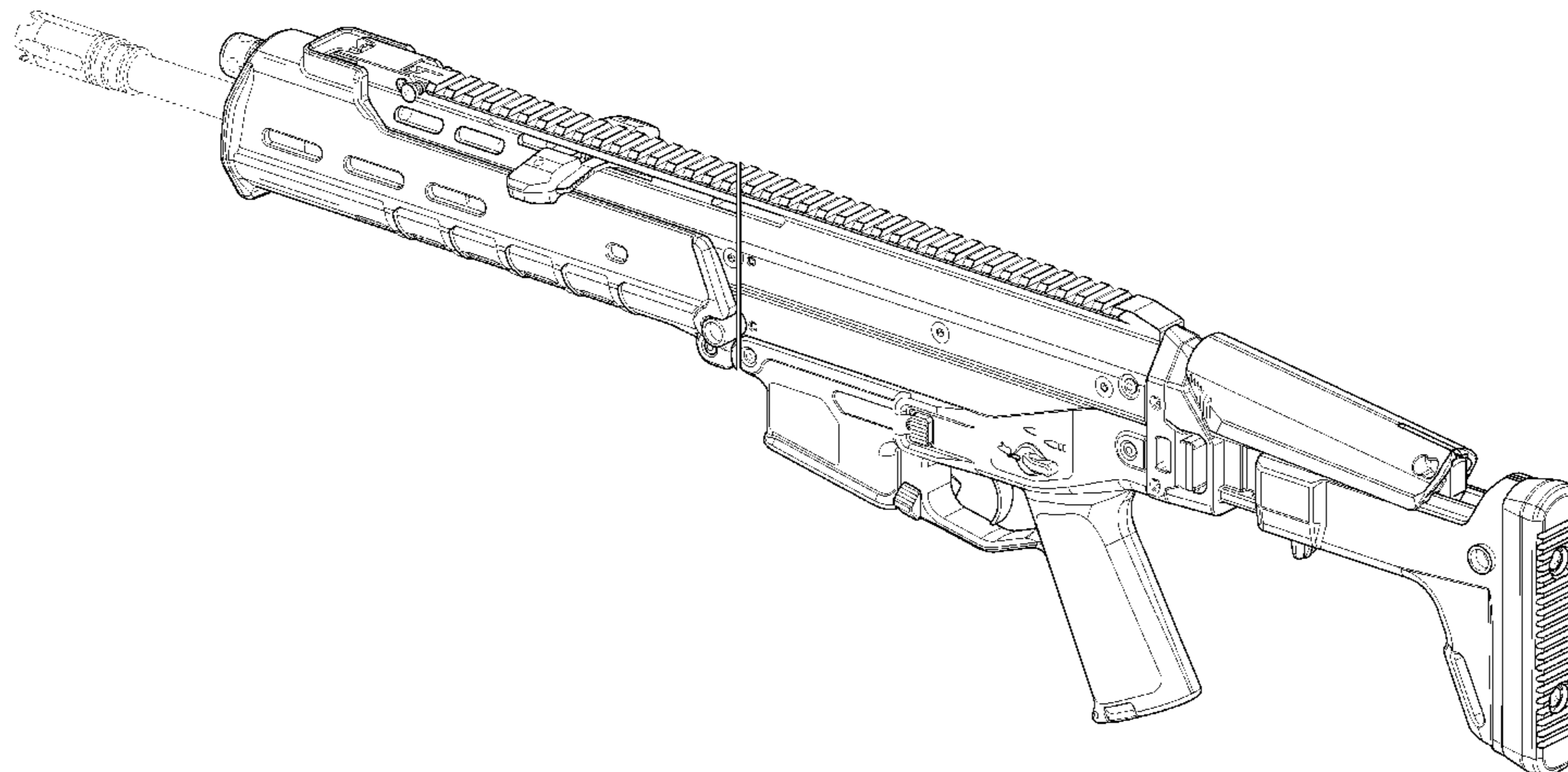
FIG. 6 is a bottom plan view of the automatic rifle of FIG. 1;

FIG. 7 is a front elevation view of the rifle of FIG. 1; and,

FIG. 8 is a rear elevation view of the rifle of FIG. 1.

The broken lines shown in the drawings represent unclaimed portions of the design and form no part thereof.

1 Claim, 9 Drawing Sheets

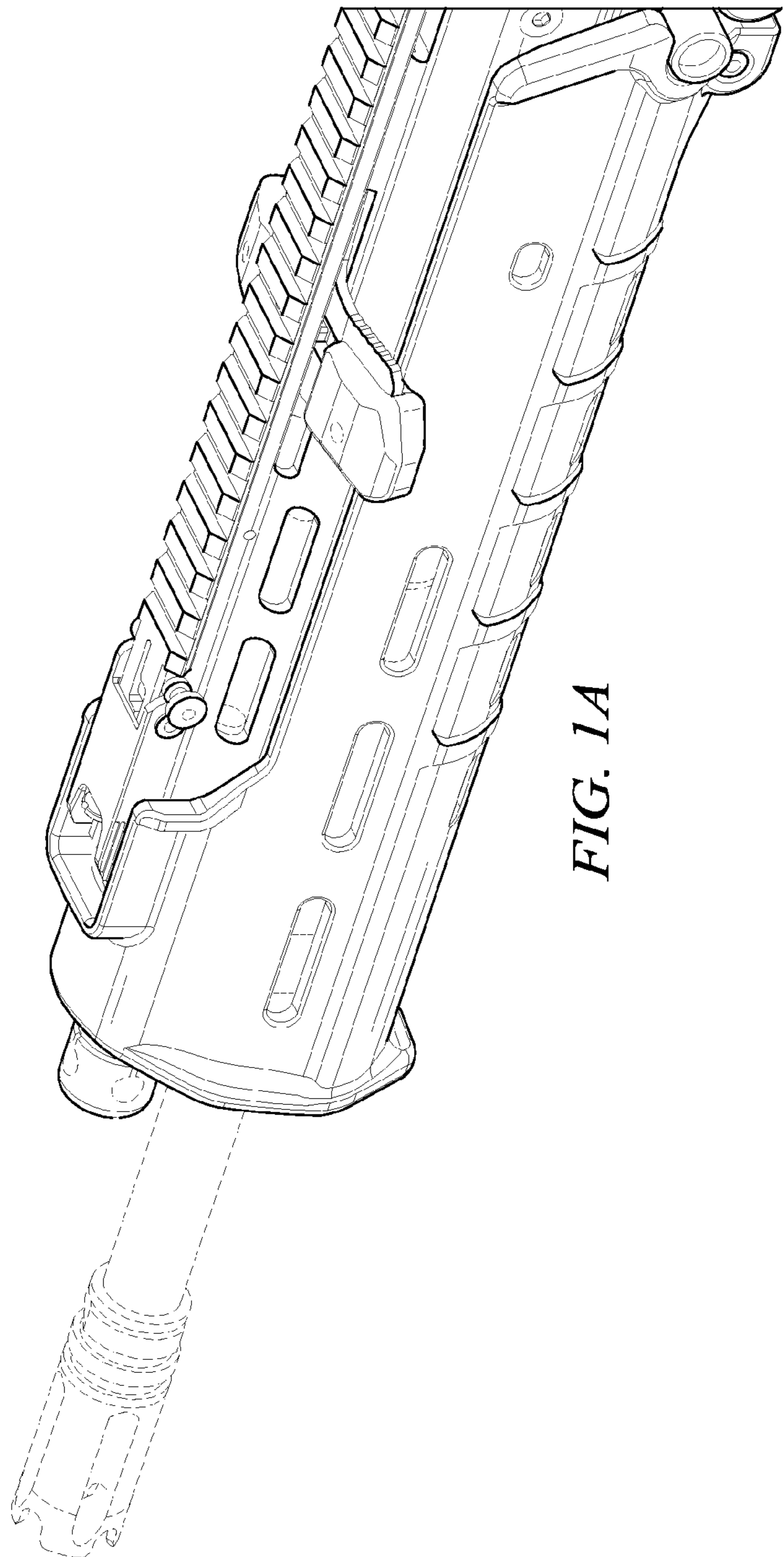
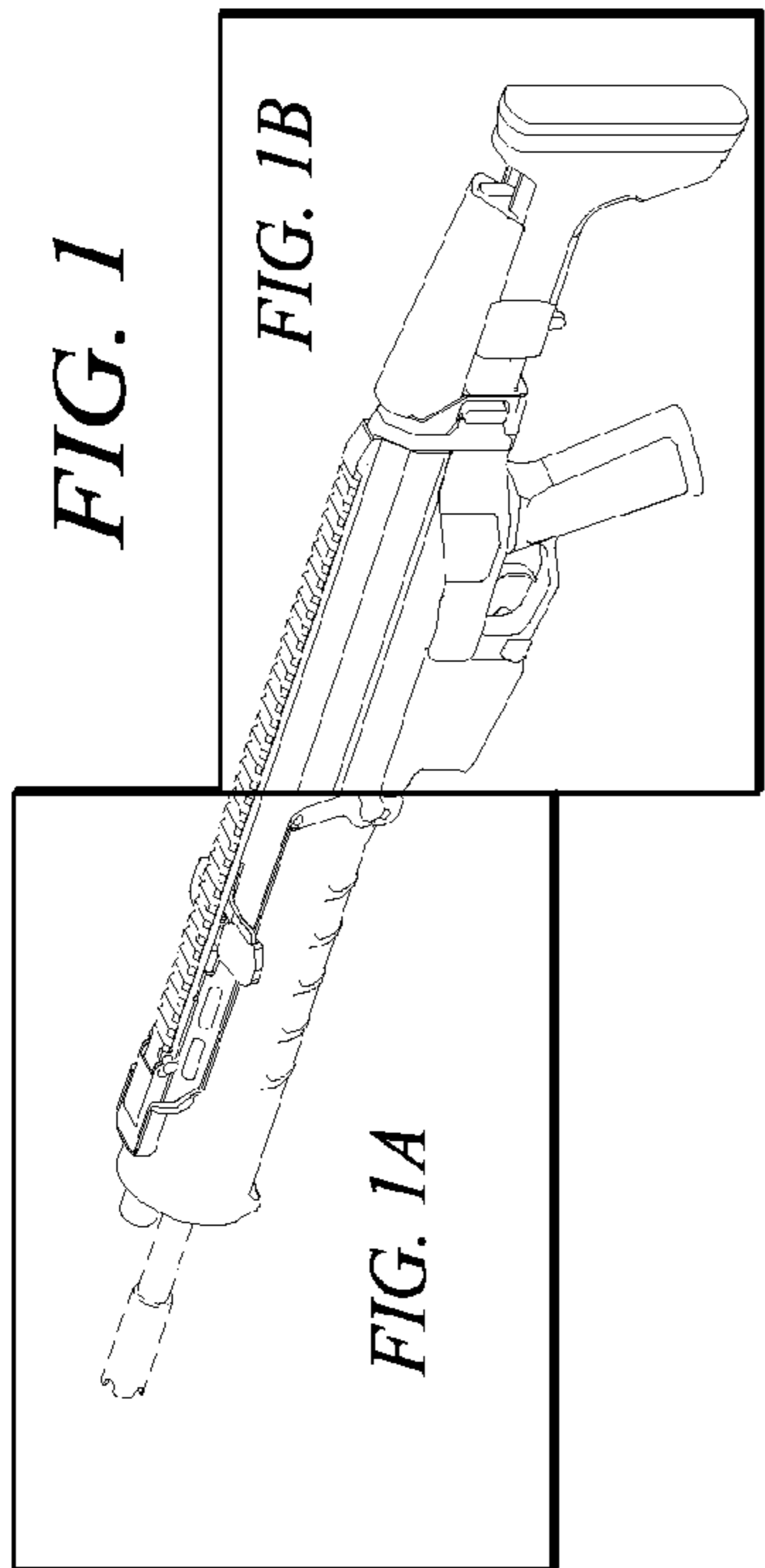


US D606,614 S

Page 2

U.S. PATENT DOCUMENTS			
D512,117	S *	11/2005	Murello et al. D22/103
D516,660	S *	3/2006	Murello et al. D22/100
D517,152	S *	3/2006	Murello et al. D22/103
D517,637	S *	3/2006	Murello et al. D22/100
7,162,823	B2	1/2007	Schoppman
D551,313	S *	9/2007	Saur et al. D22/103
7,316,091	B1	1/2008	Desomma
7,428,795	B2	9/2008	Herring
2001/0042334	A1 *	11/2001	Weichert et al. 42/105
2004/0000083	A1	1/2004	Grant
2004/0244258	A1 *	12/2004	O'Dwyer et al. 42/77
2005/0183317	A1	8/2005	Finn
2007/0130817	A1	6/2007	Ballard
2008/0028662	A1	2/2008	Abraham
2008/0168695	A1	7/2008	Nakayama
2008/0236016	A1	10/2008	Fitzpatrick
2008/0236017	A1	10/2008	Fitzpatrick

* cited by examiner



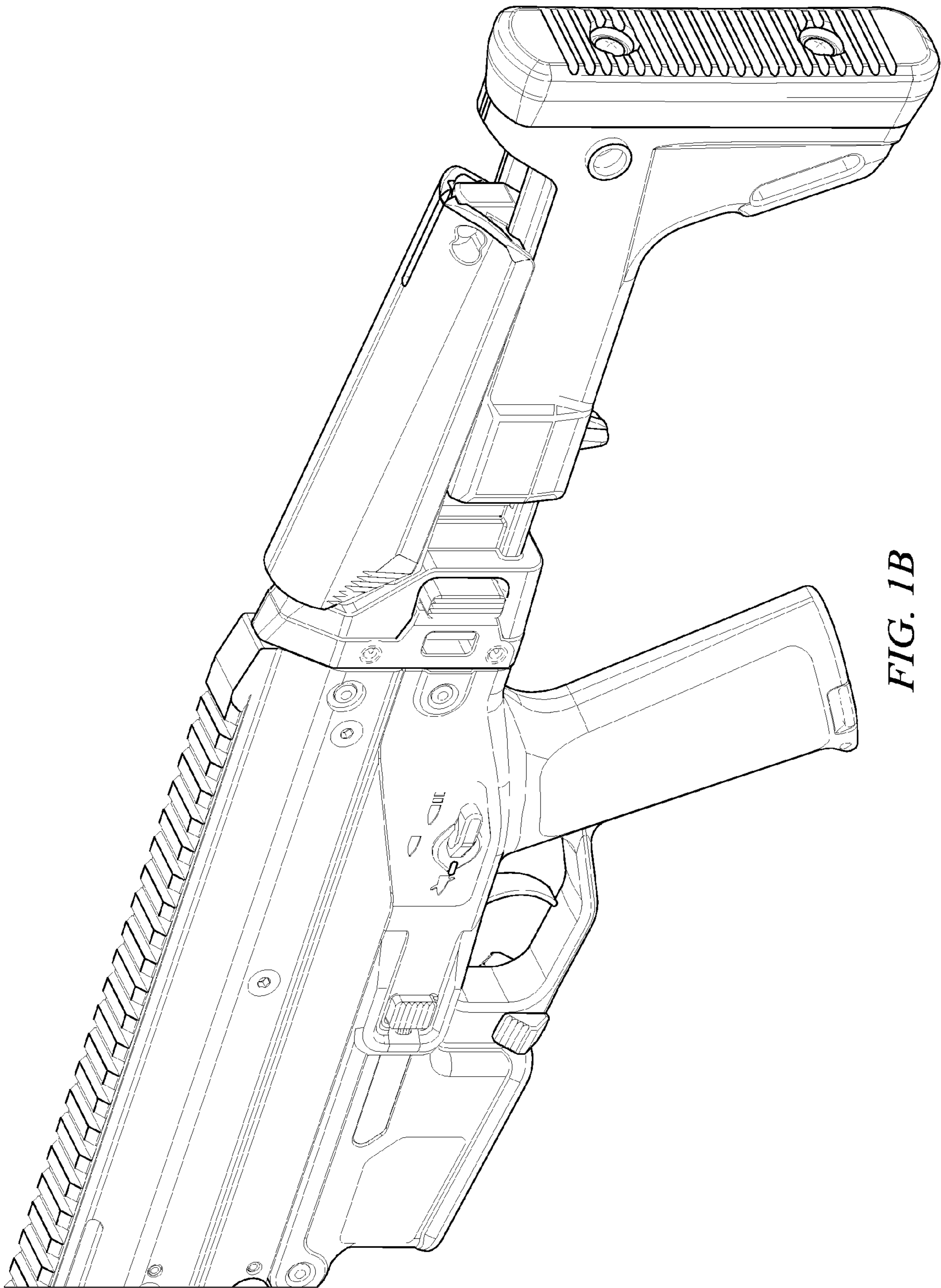
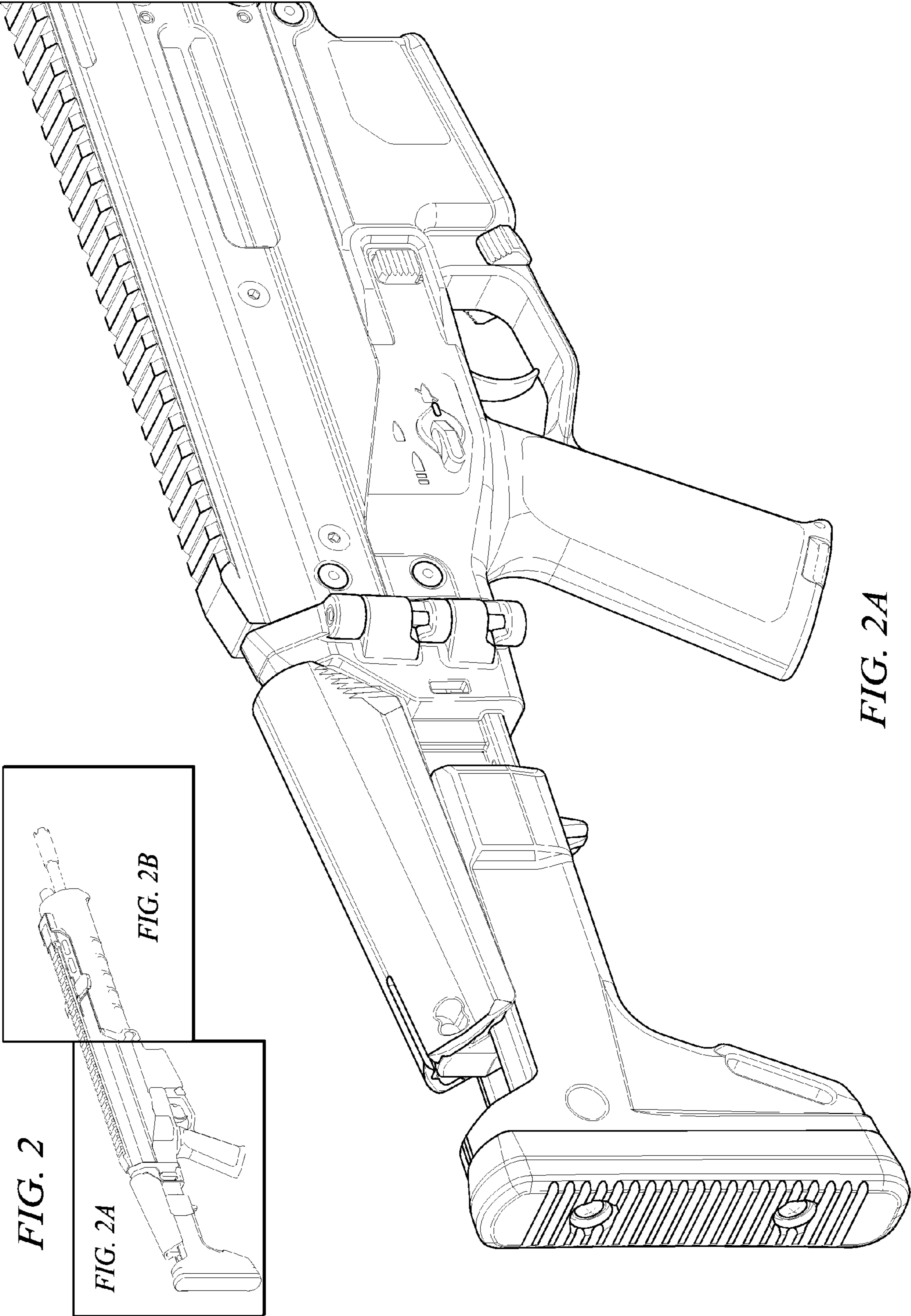


FIG. 1B



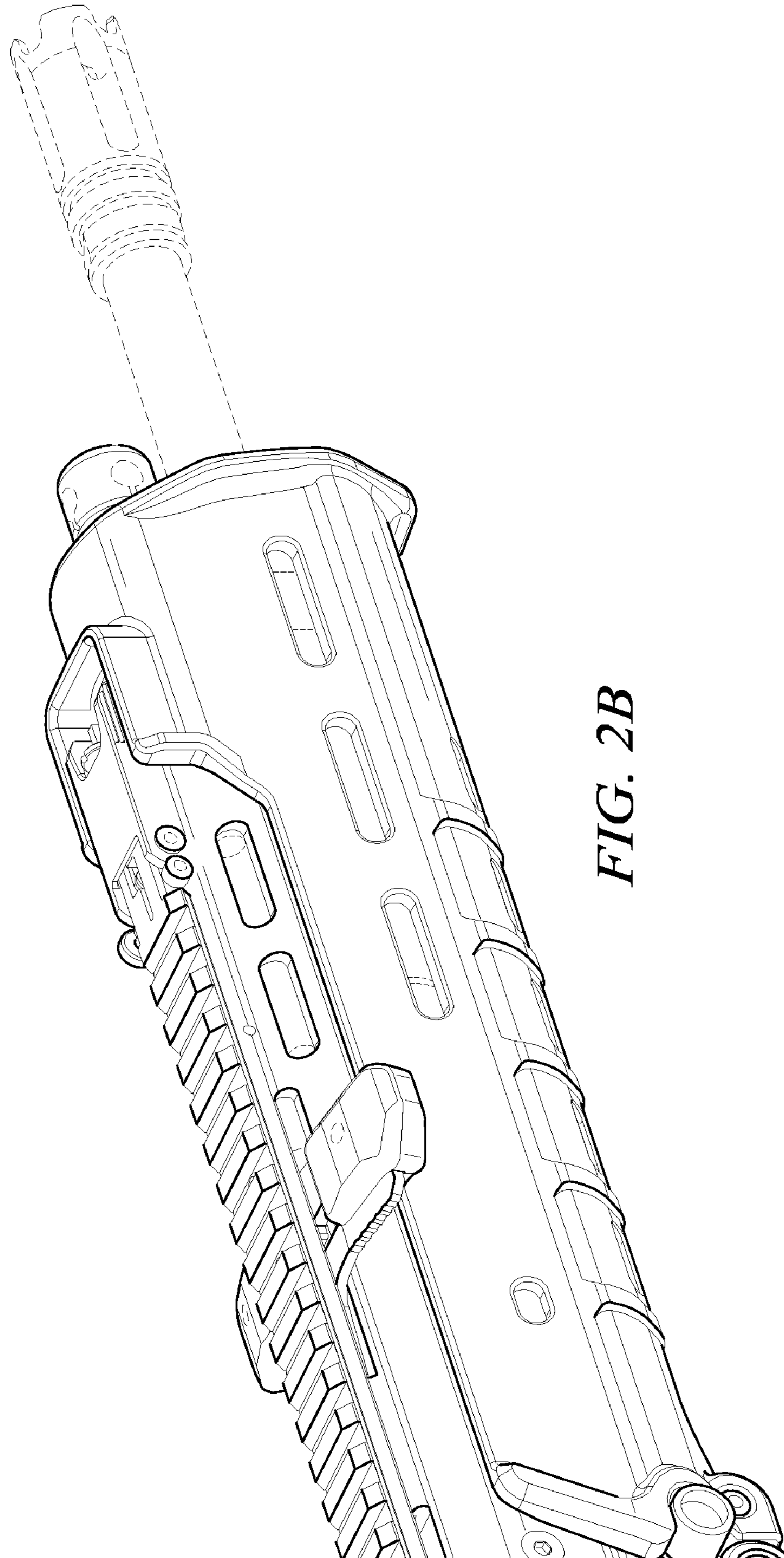


FIG. 2B

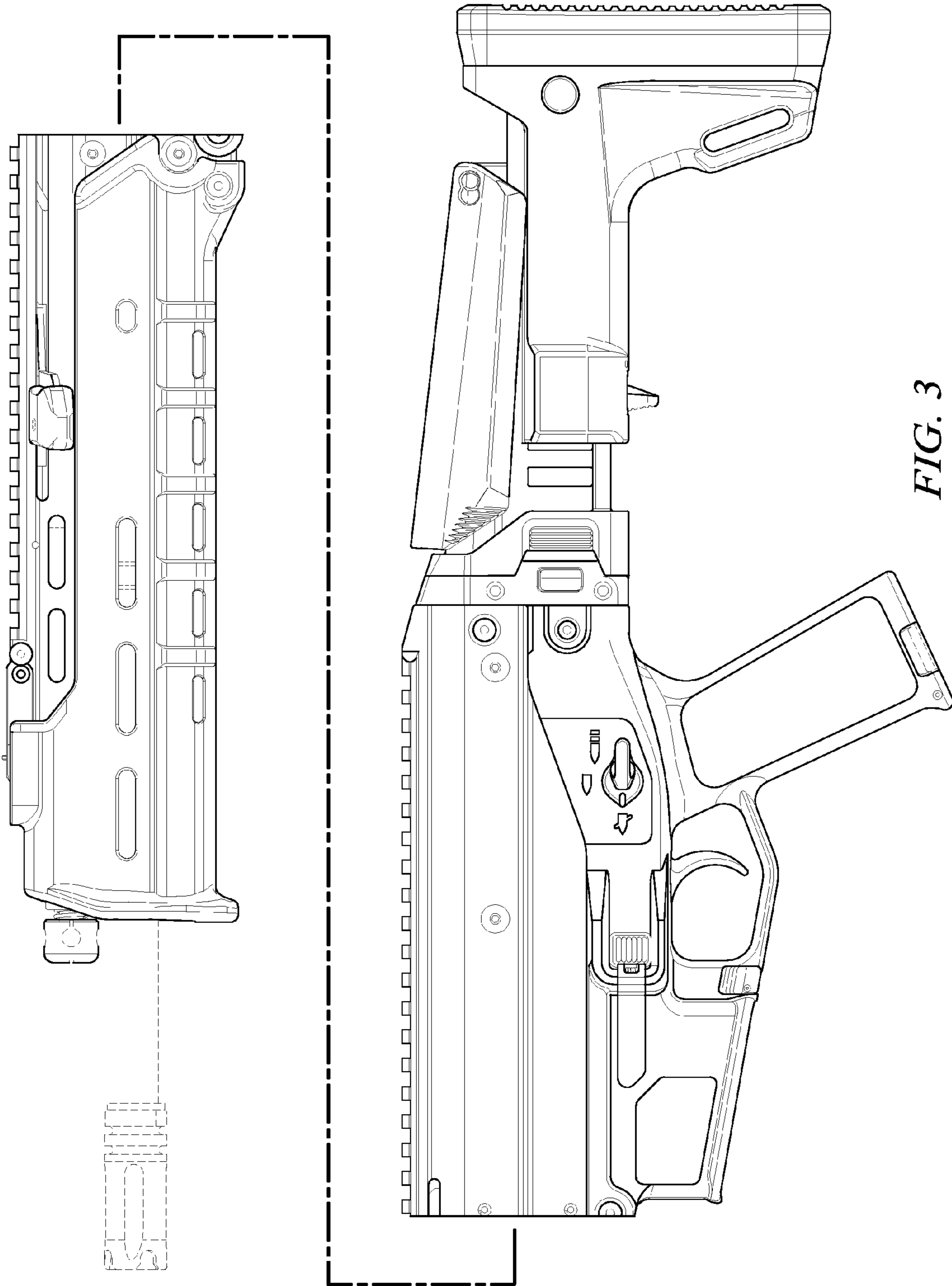


FIG. 3

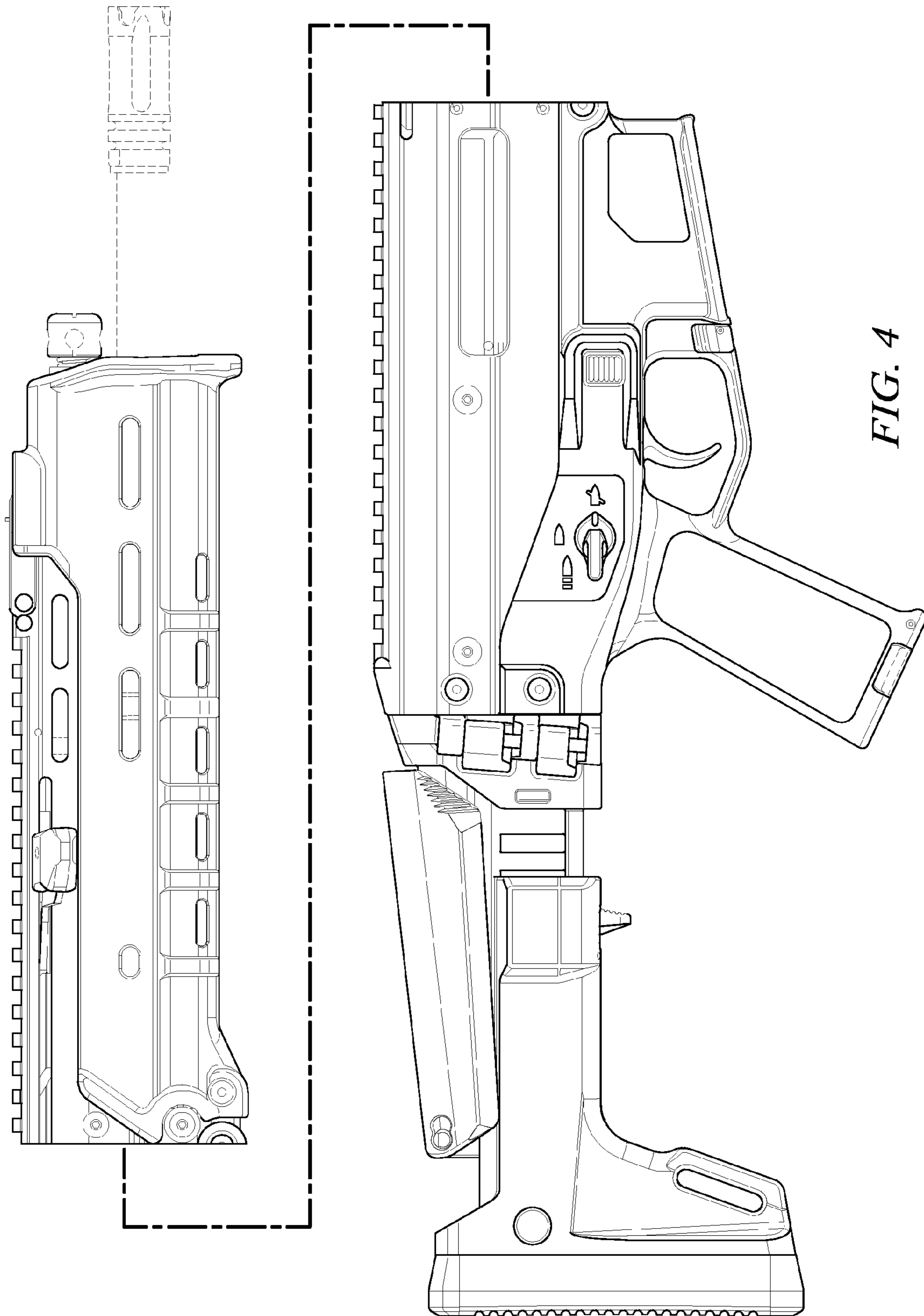


FIG. 4

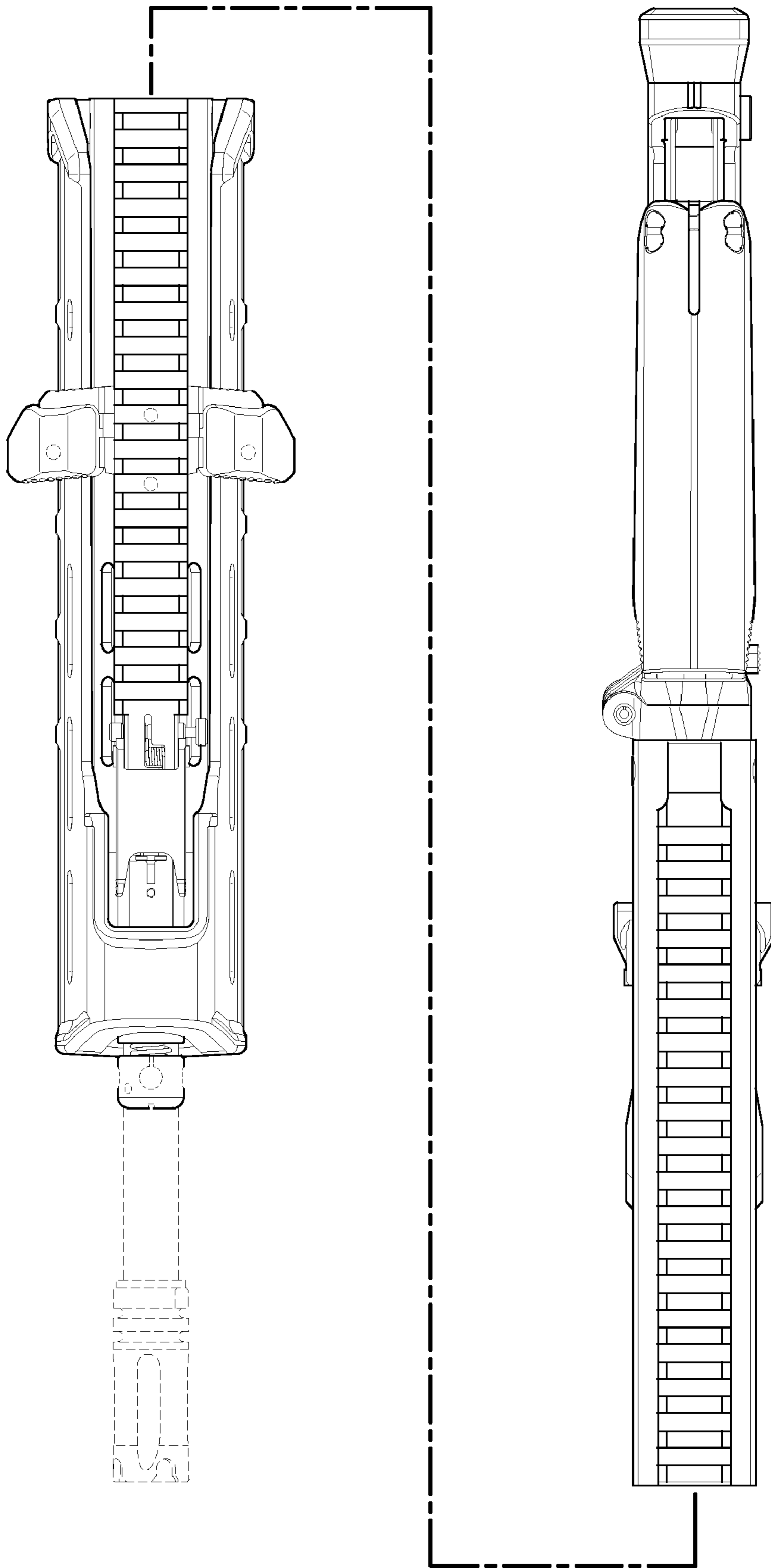


FIG. 5

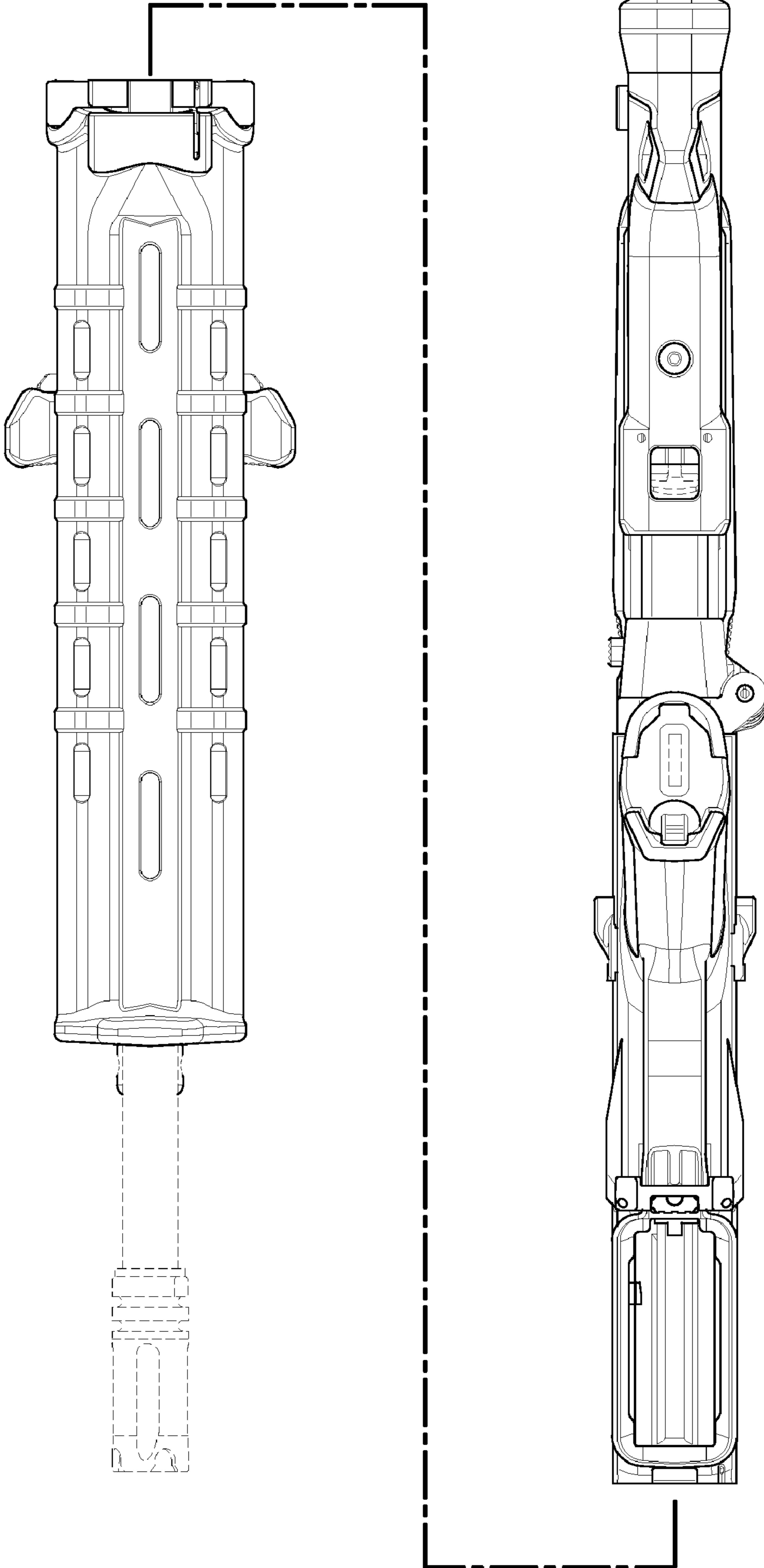


FIG. 6

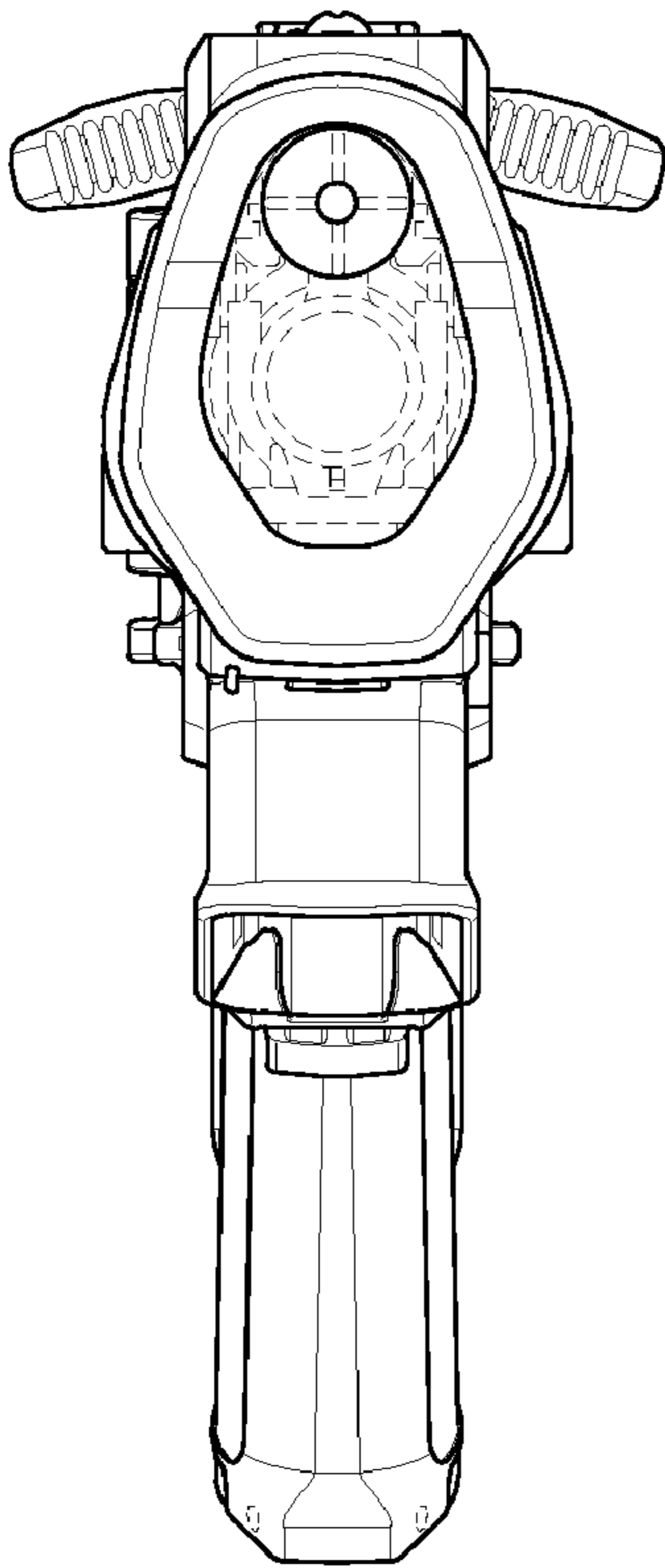


FIG. 7

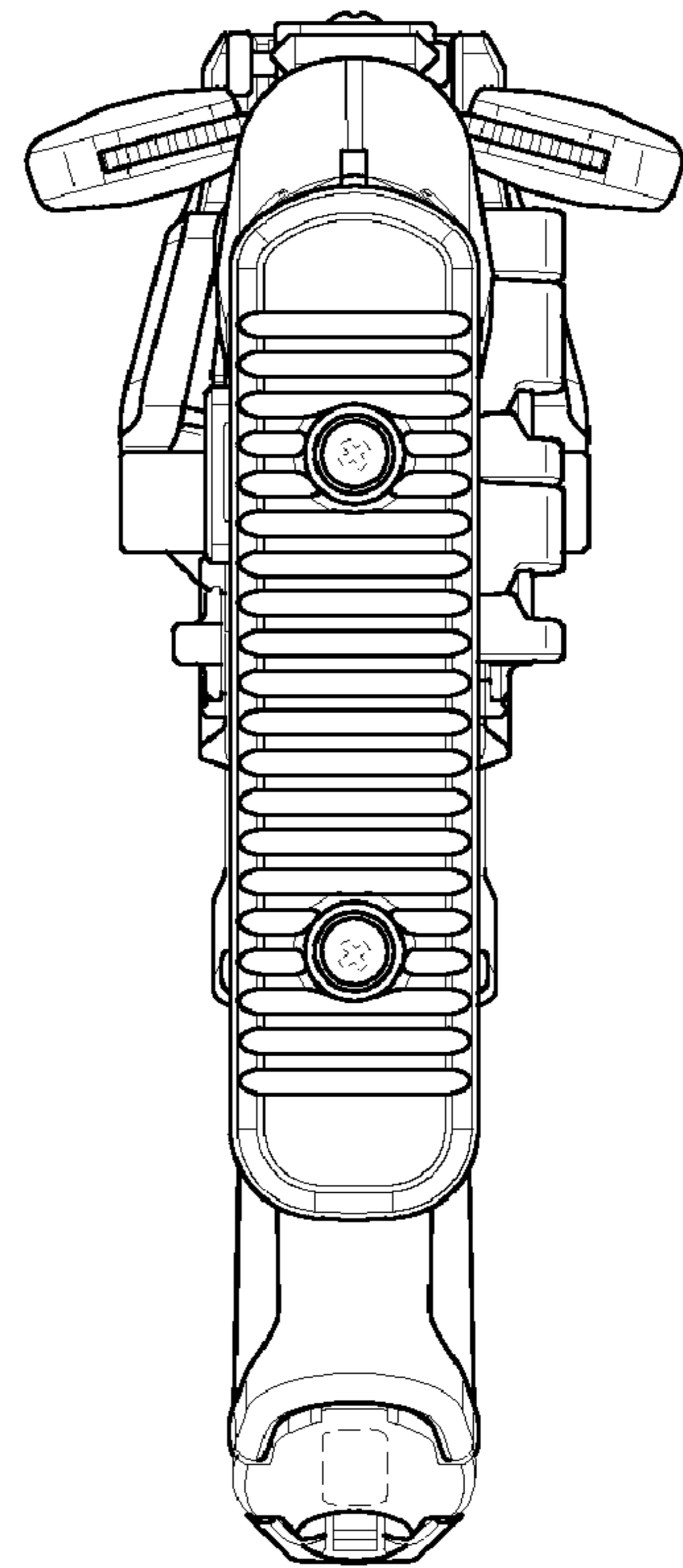


FIG. 8