



US00D606613S

(12) **United States Design Patent**
Prestwich

(10) **Patent No.:** **US D606,613 S**

(45) **Date of Patent:** **** Dec. 22, 2009**

- (54) **GOLF TRAINING DEVICE**
- (75) Inventor: **Robert Prestwich**, Pocatello, ID (US)
- (73) Assignee: **EZE Sports, Inc.**, Pocatello, ID (US)
- (**) Term: **14 Years**
- (21) Appl. No.: **29/328,460**
- (22) Filed: **Nov. 25, 2008**
- (51) **LOC (9) Cl.** **21-02**
- (52) **U.S. Cl.** **D21/791**
- (58) **Field of Classification Search** D21/789,
D21/791; 473/219, 251, 266, 257-258, 261,
473/264

- D460,139 S 7/2002 Bradbury
- 6,443,852 B1 9/2002 Kim
- 6,461,246 B1 10/2002 Lee et al.
- 6,572,486 B2 * 6/2003 Sweinhart 473/257
- 6,729,968 B2 * 5/2004 Port et al. 473/261
- D514,645 S * 2/2006 Edwards et al. D21/791
- D520,096 S 5/2006 Prestwich
- D535,716 S * 1/2007 Officer D21/791

* cited by examiner

Primary Examiner—Mitchell I Siegel

(74) *Attorney, Agent, or Firm*—Allen, Dyer, Doppelt,
Milbrath & Gilchrist, P.A.

See application file for complete search history.

(56) **References Cited**

U.S. PATENT DOCUMENTS

- 3,038,726 A 6/1962 Hesidence
- 3,312,475 A 4/1967 Mitchell
- 3,332,688 A 7/1967 Gevertz
- 3,753,563 A 8/1973 Previte, Jr.
- 3,899,180 A 8/1975 Rodman
- 4,544,160 A 10/1985 Miner
- 4,620,708 A 11/1986 Meyer et al.
- 4,900,030 A * 2/1990 Houtz 473/258
- D307,618 S 5/1990 Croghan
- 4,928,975 A * 5/1990 Skelley et al. 473/264
- 5,011,154 A 4/1991 Bowen
- 5,024,442 A 6/1991 Sindelar, Sr.
- 5,125,665 A 6/1992 Sindelar, Sr.
- D331,437 S 12/1992 Wood
- D332,817 S * 1/1993 Mullen D21/791
- D338,512 S 8/1993 Crow et al.
- 5,320,355 A 6/1994 Johnson
- D354,107 S 1/1995 Kueng et al.
- 5,393,065 A 2/1995 LeQyuea
- 5,429,368 A 7/1995 Adams
- 5,443,265 A 8/1995 Wheeler
- 5,527,041 A 6/1996 Terry, III et al.
- 5,586,945 A * 12/1996 Vonderhaar 473/258
- D387,836 S 12/1997 Farnsworth
- 5,769,732 A * 6/1998 O'Neal 473/258
- D410,721 S * 6/1999 Trapp et al. D21/791
- 6,019,685 A 2/2000 Fonseca et al.
- 6,129,639 A 10/2000 Brock et al.
- 6,159,106 A 12/2000 Adams

(57) **CLAIM**

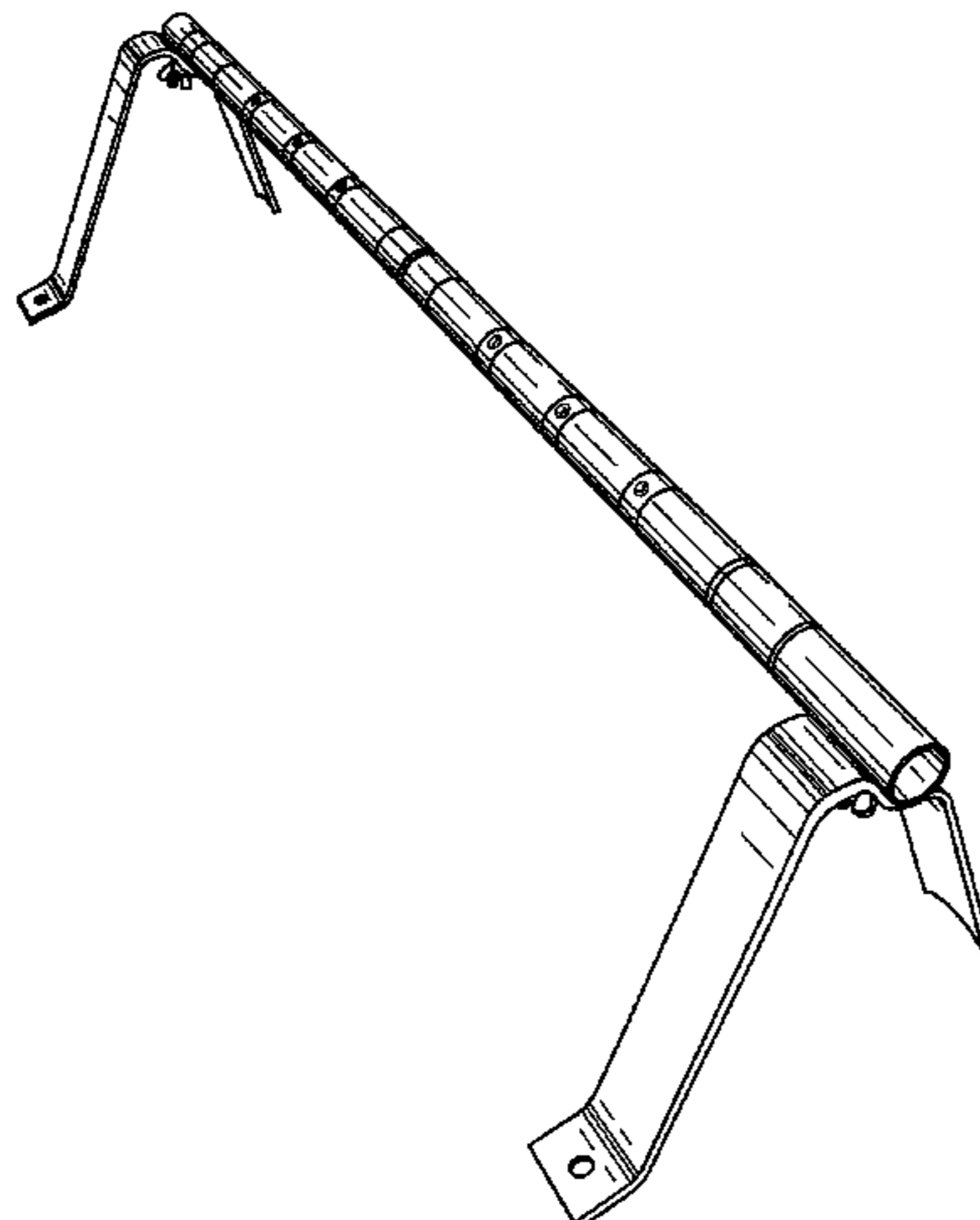
The ornamental design for a golf training device, as shown and described.

DESCRIPTION

- FIG. 1 is a front right perspective view of a golf training device showing my new design;
- FIG. 2 is a top plan view thereof;
- FIG. 3 is a front elevation view thereof;
- FIG. 4 is a rear elevation view thereof;
- FIG. 5 is a bottom plan view thereof;
- FIG. 6 is a right side elevation view thereof;
- FIG. 7 is a left side elevation view thereof;
- FIG. 8 is a front right perspective view of a second embodiment of the golf training device of FIG. 1;
- FIG. 9 is a top plan view thereof;
- FIG. 10 is a front elevation view thereof;
- FIG. 11 is a rear elevation view thereof;
- FIG. 12 is a bottom plan view thereof;
- FIG. 13 is a right side elevation view thereof; and,
- FIG. 14 is a left side elevation view thereof.

The broken lines showing in the attached drawings are for illustrative purposes only and form no part of the claimed design.

1 Claim, 8 Drawing Sheets



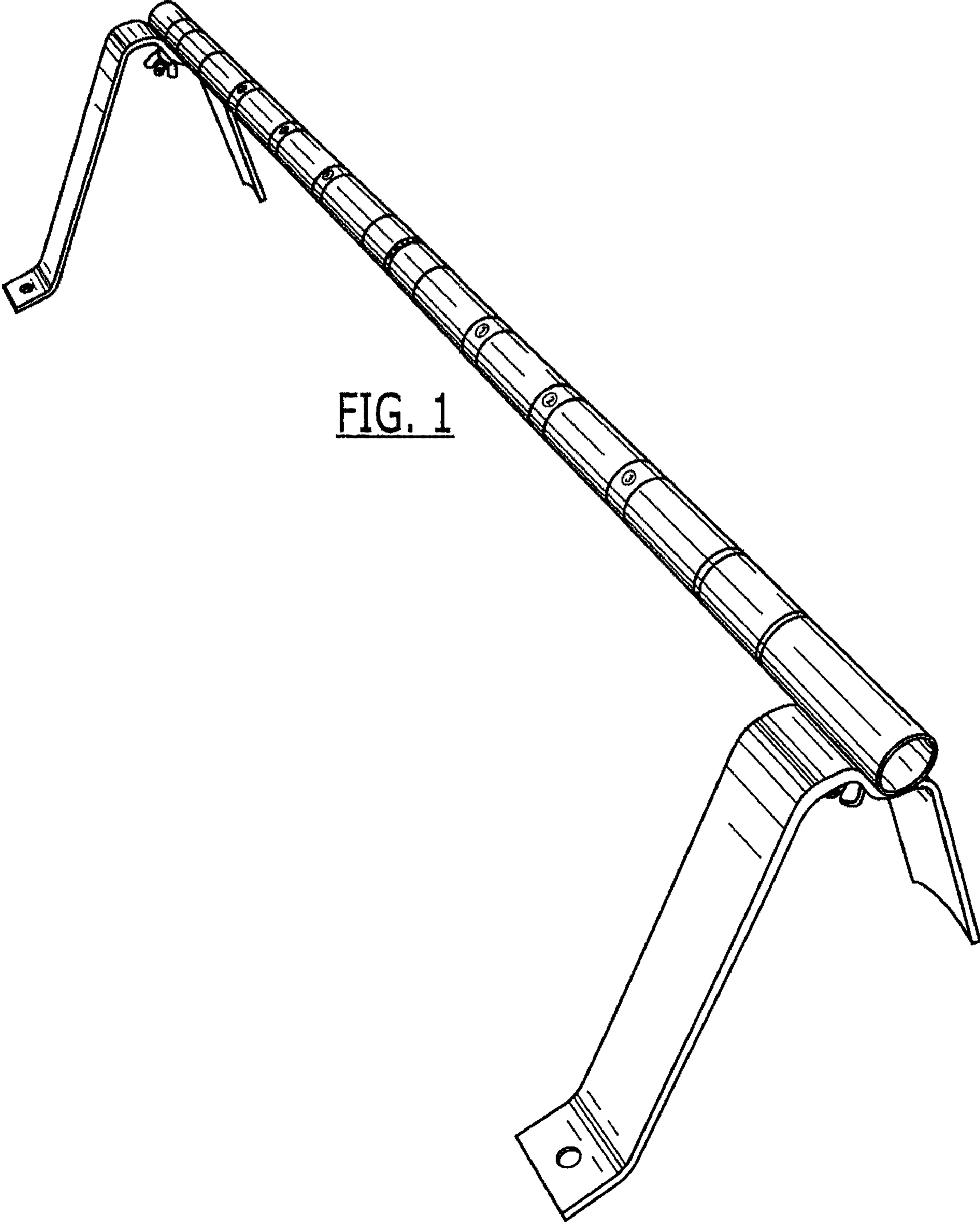


FIG. 1

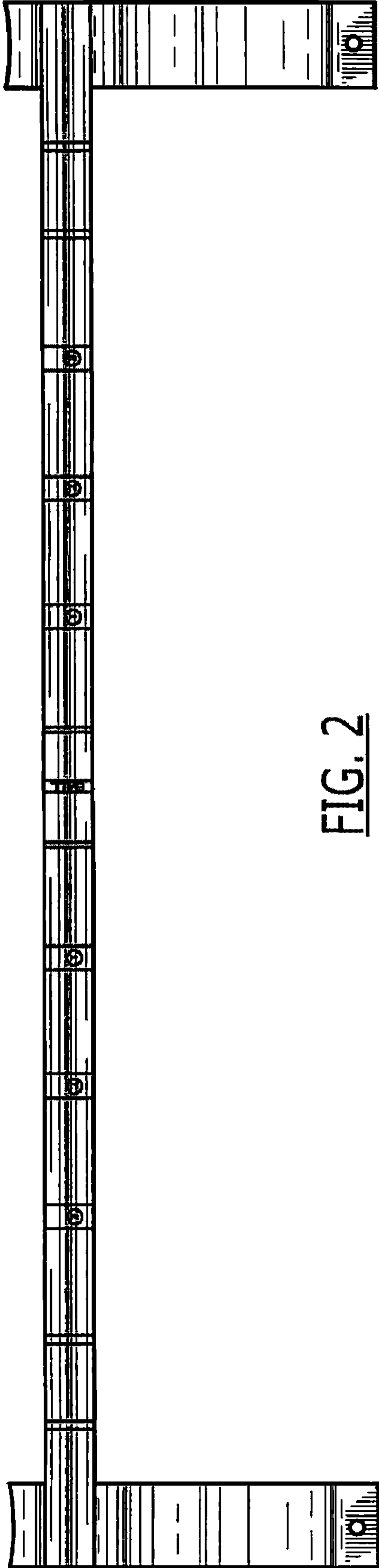


FIG. 2

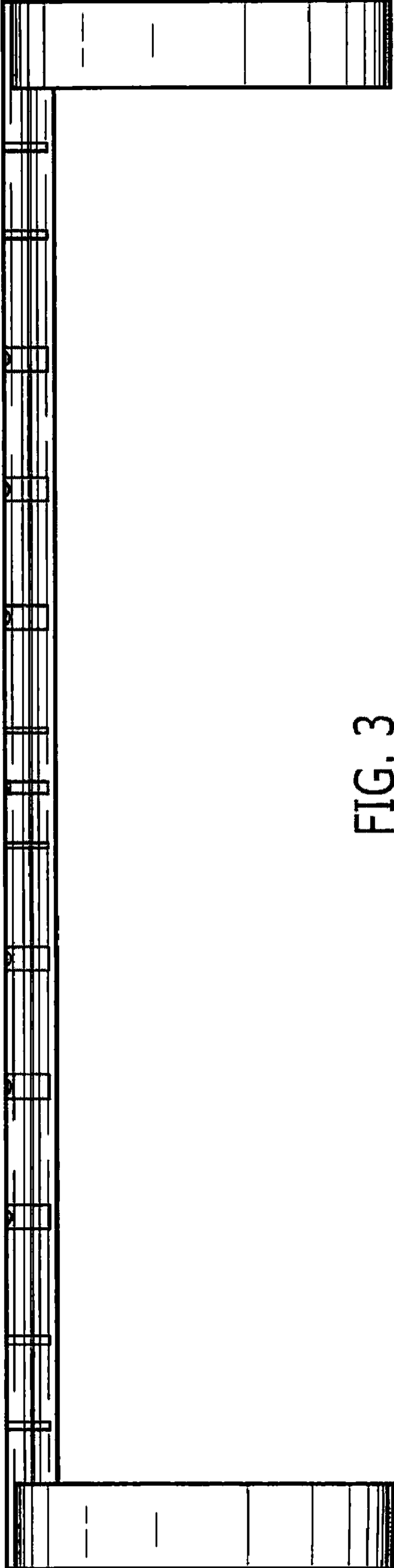


FIG. 3

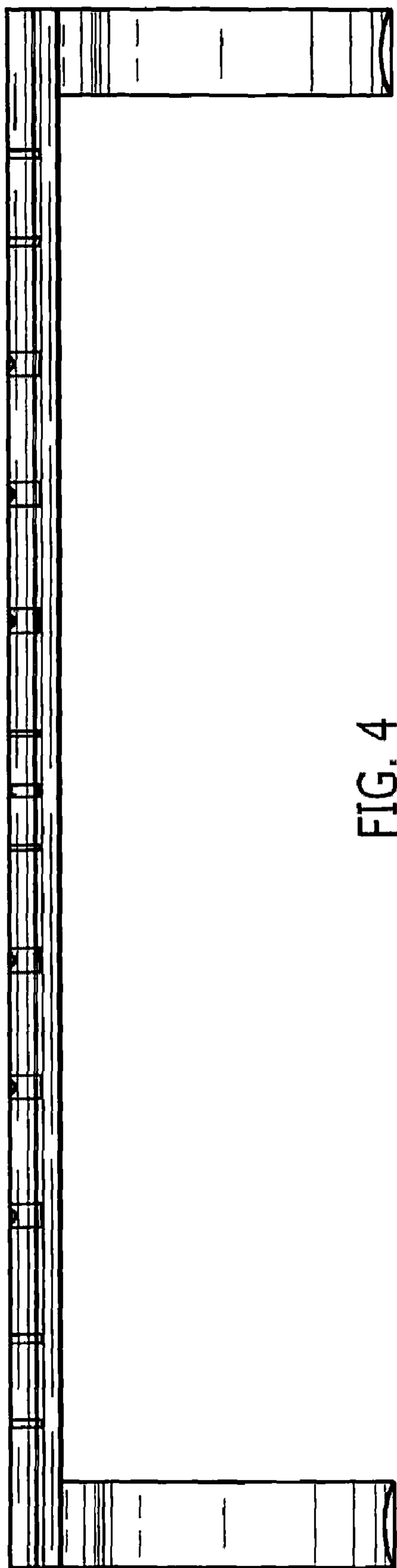


FIG. 4

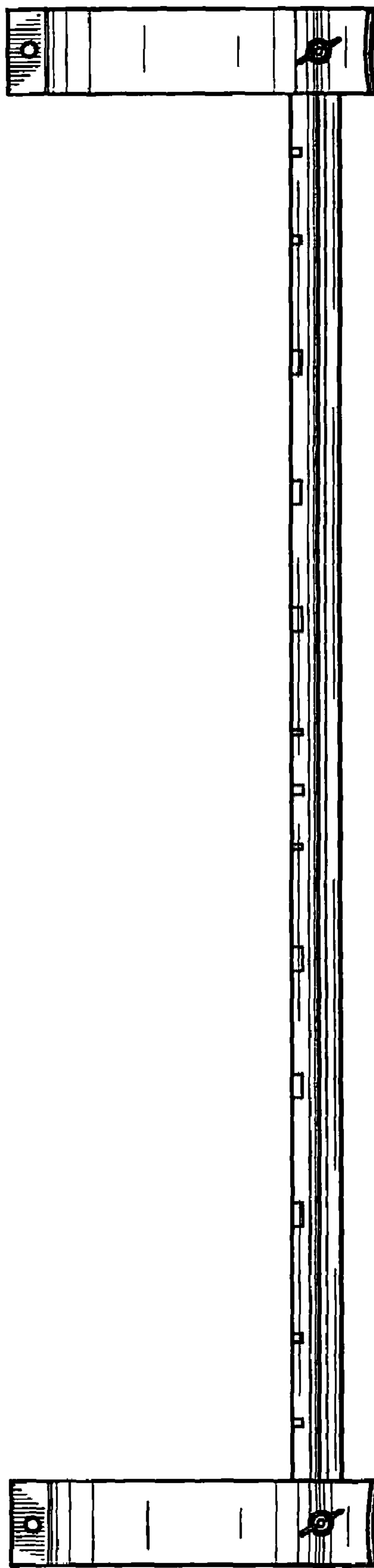


FIG. 5

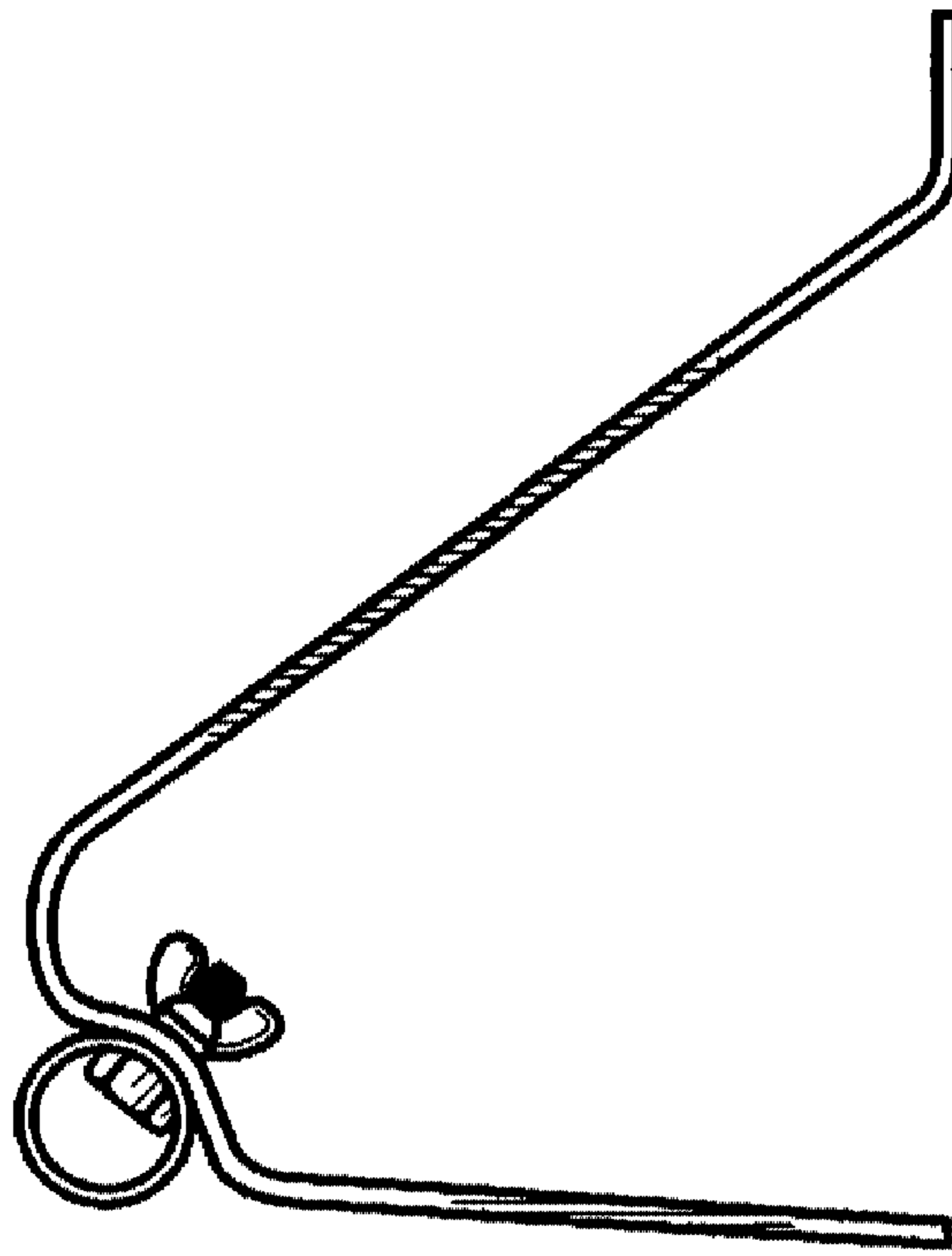


FIG. 6

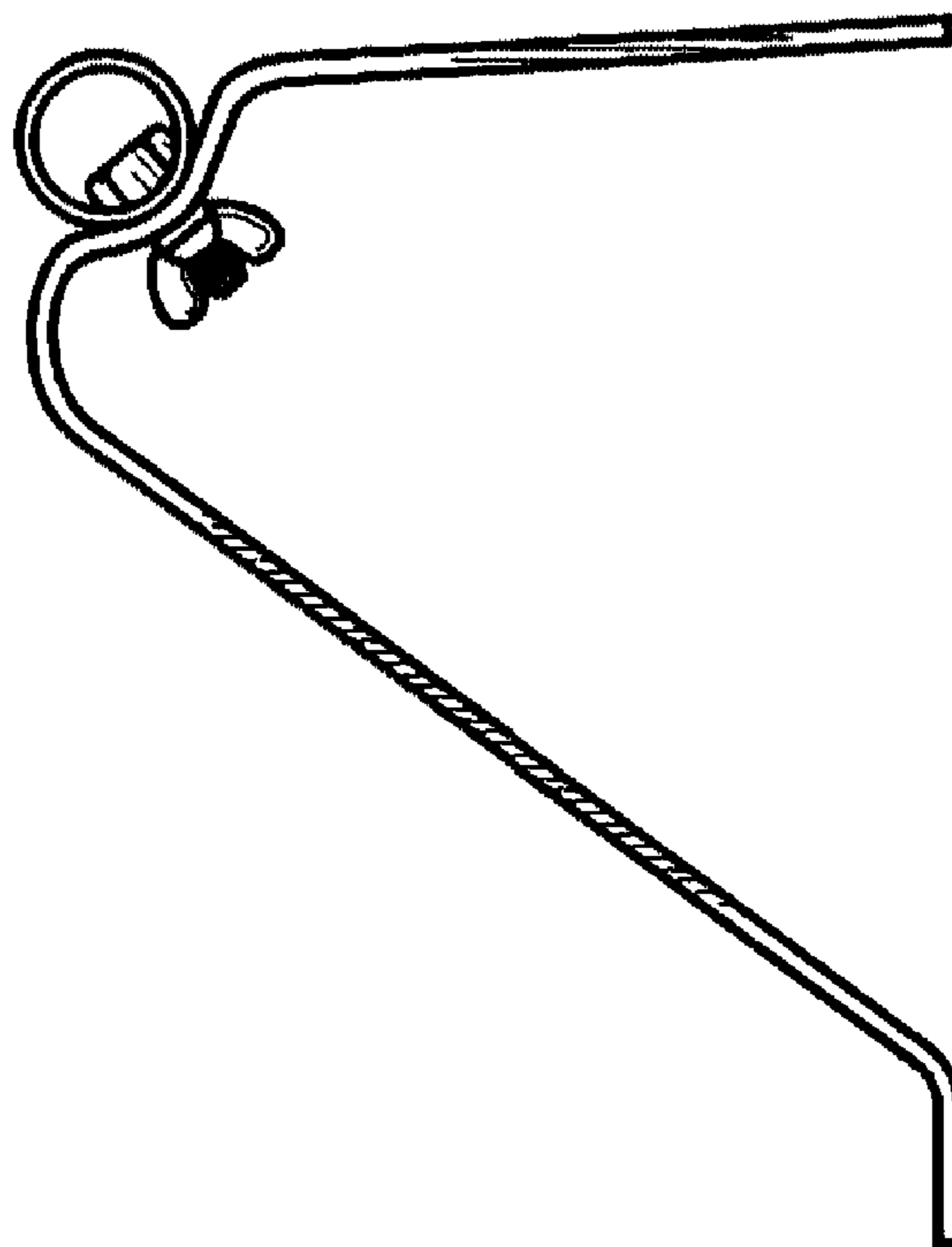
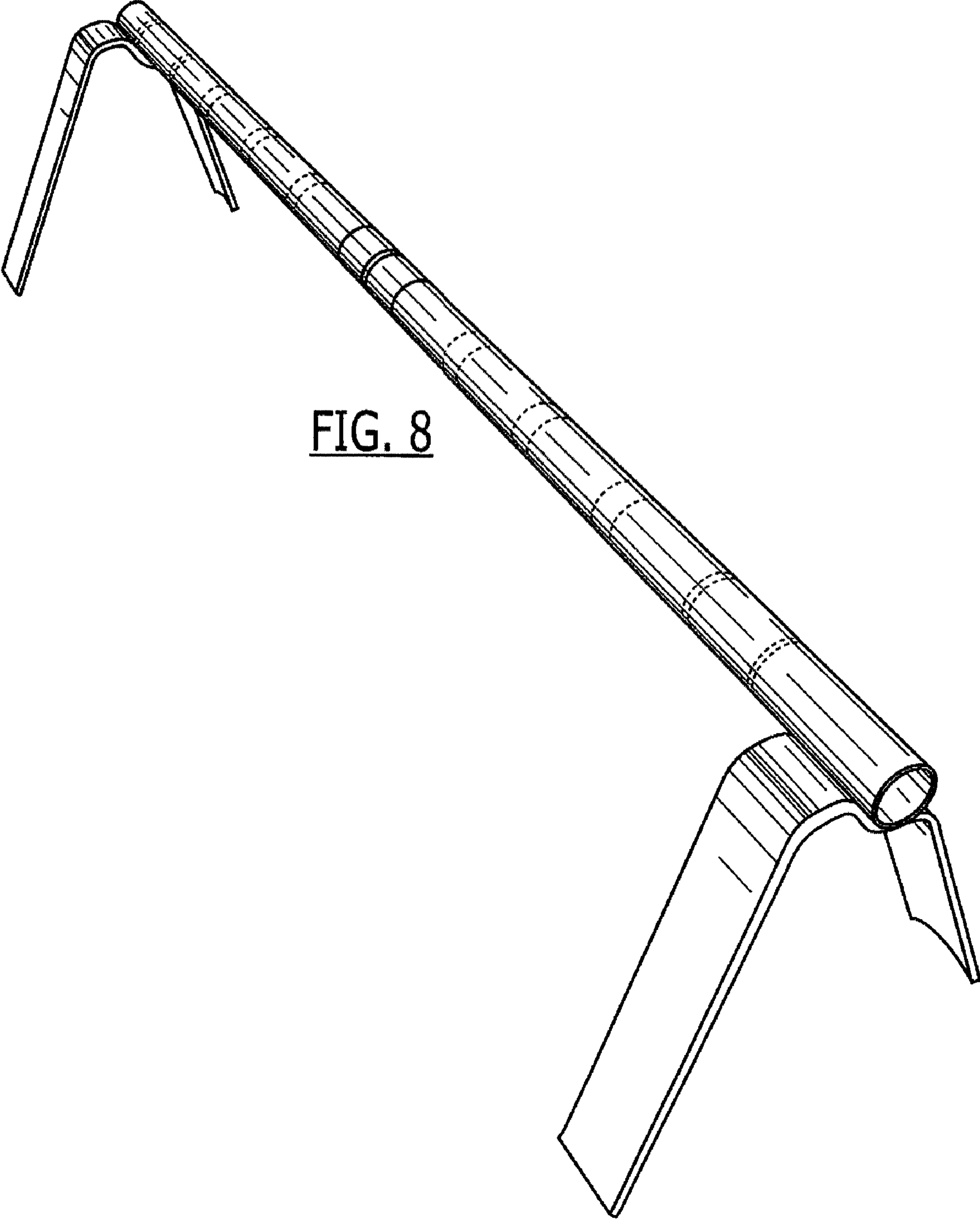


FIG. 7



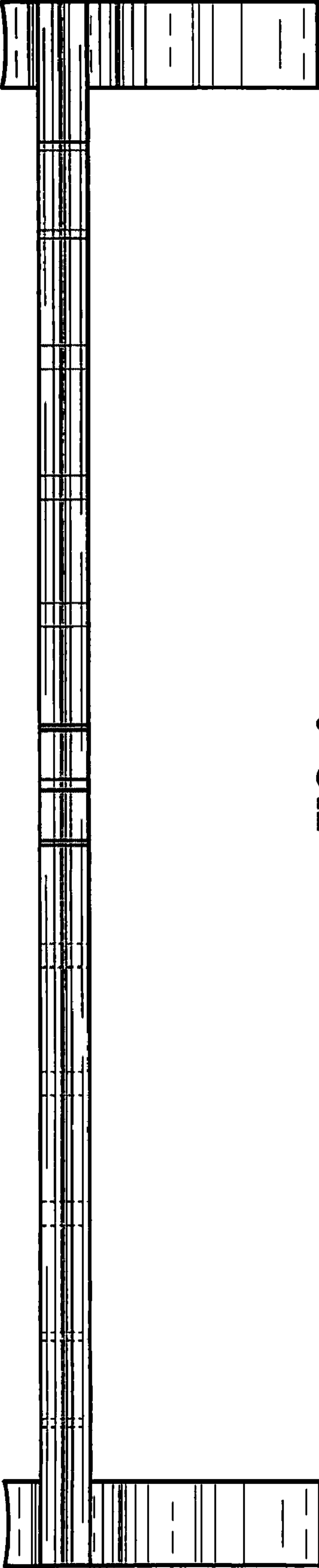


FIG. 9



FIG. 10



FIG. 11

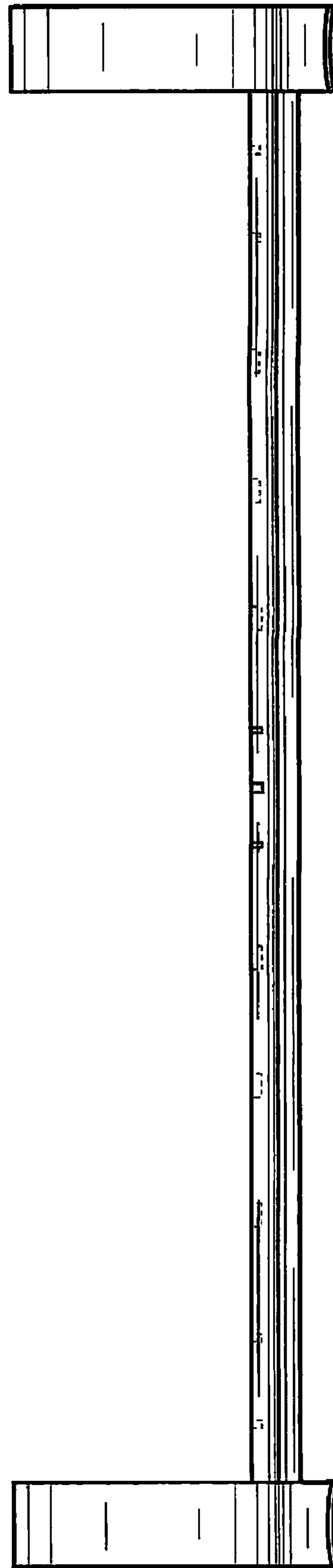


FIG. 12

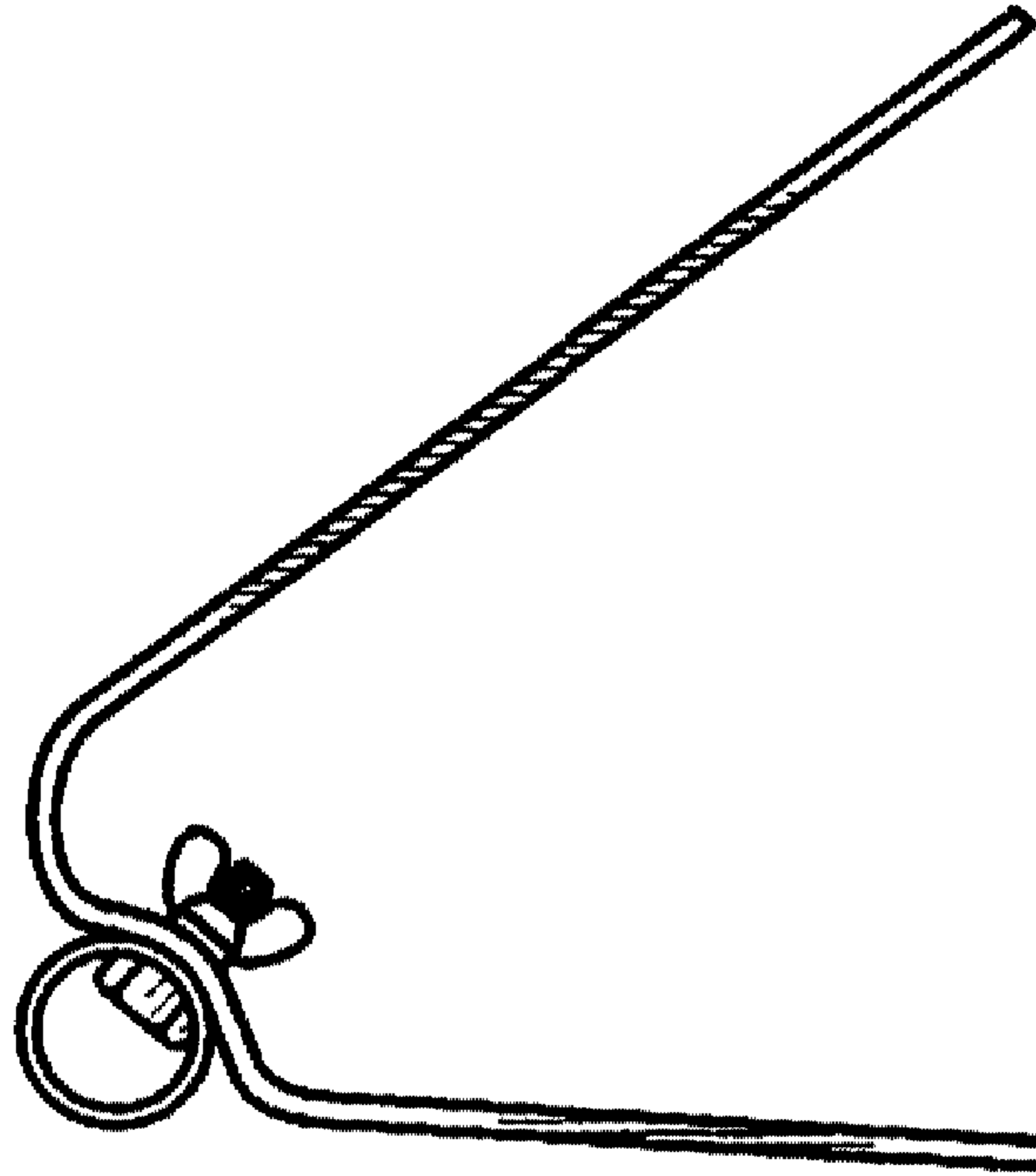


FIG. 14

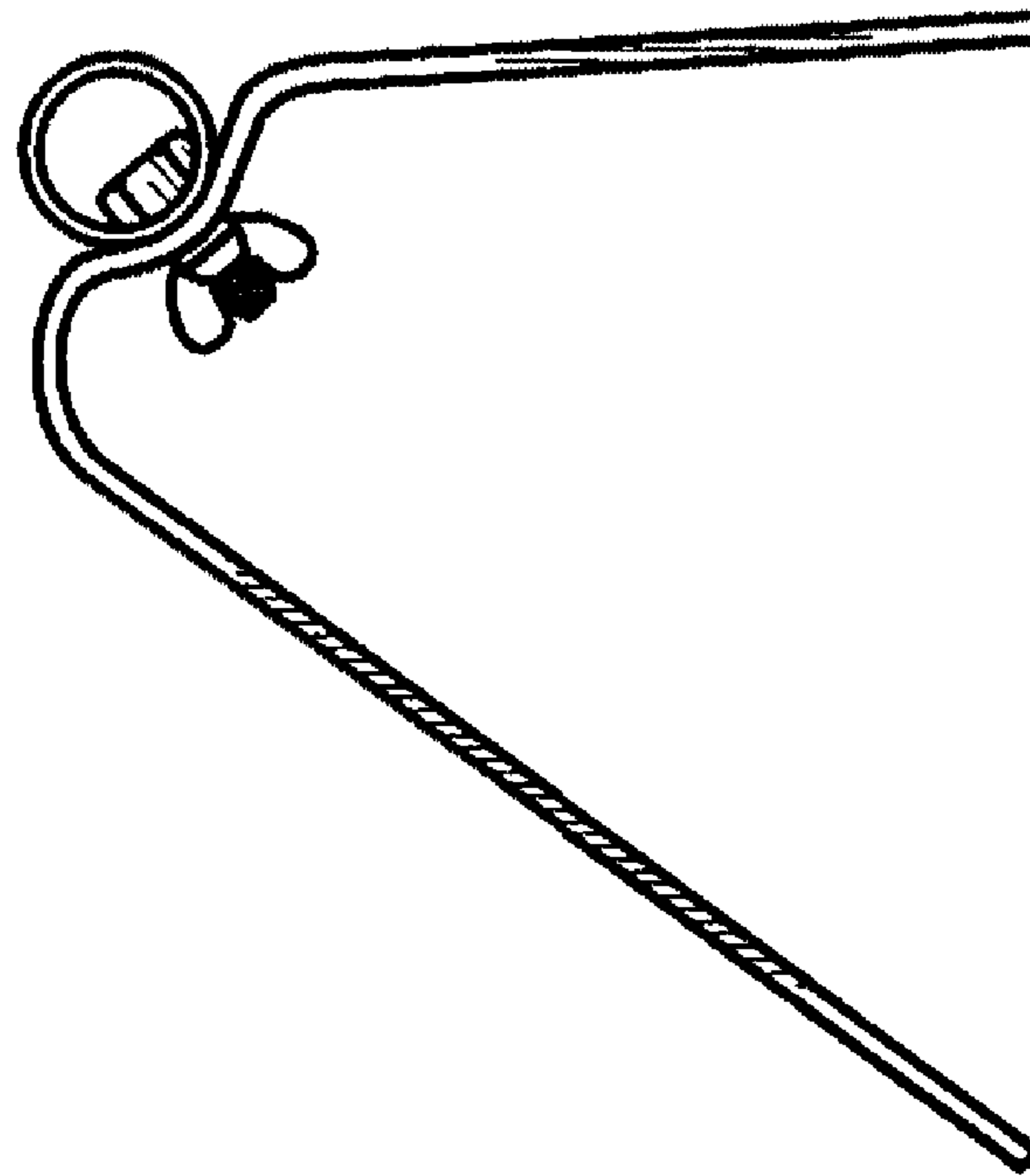


FIG. 13