



US00D606610S

(12) **United States Design Patent**
Sramek et al.

(10) **Patent No.:** **US D606,610 S**

(45) **Date of Patent:** **** Dec. 22, 2009**

(54) **SPARK CARTRIDGE**

(76) Inventors: **Steve Sramek**, 333 Manila Ave., Long Beach, CA (US) 90814; **Robert Hadley**, 4564 Via El Molino, Yorba Linda, CA (US) 92886

(**) Term: **14 Years**

(21) Appl. No.: **29/329,866**

(22) Filed: **Dec. 22, 2008**

(51) **LOC (9) Cl.** **21-02**

(52) **U.S. Cl.** **D21/771; D21/423**

(58) **Field of Classification Search** D21/484, D21/494, 495, 561, 423, 760, 765, 771, 776; D14/435; 280/87.041, 87.042, 809, 816, 280/828; 446/22, 23; 301/5.301; 310/339; 180/181

See application file for complete search history.

(56) **References Cited**

U.S. PATENT DOCUMENTS

3,086,788	A *	4/1963	Vislocky	280/816
4,286,806	A *	9/1981	Bergstein	280/816
4,394,037	A *	7/1983	Kuntz	280/816
4,466,630	A *	8/1984	Larkin	280/828
D316,287	S *	4/1991	Incze et al.	D21/771
5,048,897	A *	9/1991	Yeh	301/5.301
5,067,058	A *	11/1991	Standley	280/87.042
D331,433	S *	12/1992	Jarnros	D21/494
5,391,102	A *	2/1995	Bosch	446/23
5,460,390	A *	10/1995	Miller	280/11.208
5,523,925	A *	6/1996	Bare, IV	446/23
D388,280	S *	12/1997	Kessler	D7/416

6,059,315	A *	5/2000	Selph	280/809
6,821,181	B1 *	11/2004	Domingues	446/22
2002/0135998	A1 *	9/2002	Chiu	362/103
2004/0000768	A1 *	1/2004	Miller	280/87.042
2004/0021283	A1 *	2/2004	Serling	280/87.042
2005/0127630	A1 *	6/2005	Kuhlman et al.	280/87.042

* cited by examiner

Primary Examiner—Holly Baynham

Assistant Examiner—Cynthia M Chin

(74) *Attorney, Agent, or Firm*—Knobbe, Martens, Olson & Bear LLP

(57) **CLAIM**

The ornamental design for a spark cartridge, as shown and described.

DESCRIPTION

FIG. 1 is a front perspective view of the new design;

FIG. 2 is a front elevational view of the design shown in FIG. 1;

FIG. 3 is a rear elevational view of the design shown in FIG. 1;

FIG. 4 is a top plan view of design FIG. 1;

FIG. 5 is a bottom plan view of design FIG. 1;

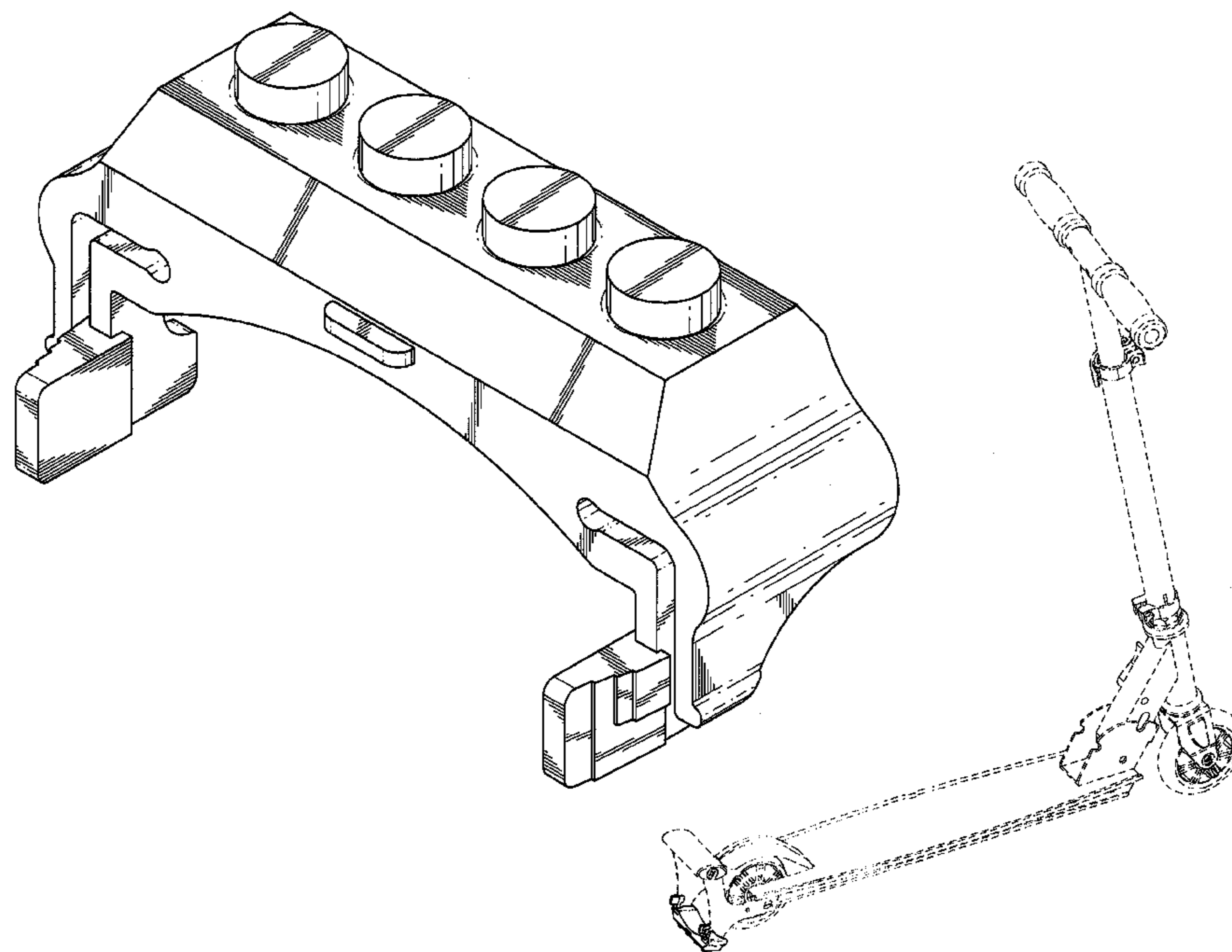
FIG. 6 is a left side view of design FIG. 1;

FIG. 7 is a right side view of design FIG. 1; and,

FIG. 8 is a reduced environmental perspective view of the spark cartridge of FIG. 1 attached to a scooter.

The phantom lines are provided for illustrative purposes only and do not form part of the claimed design.

1 Claim, 7 Drawing Sheets



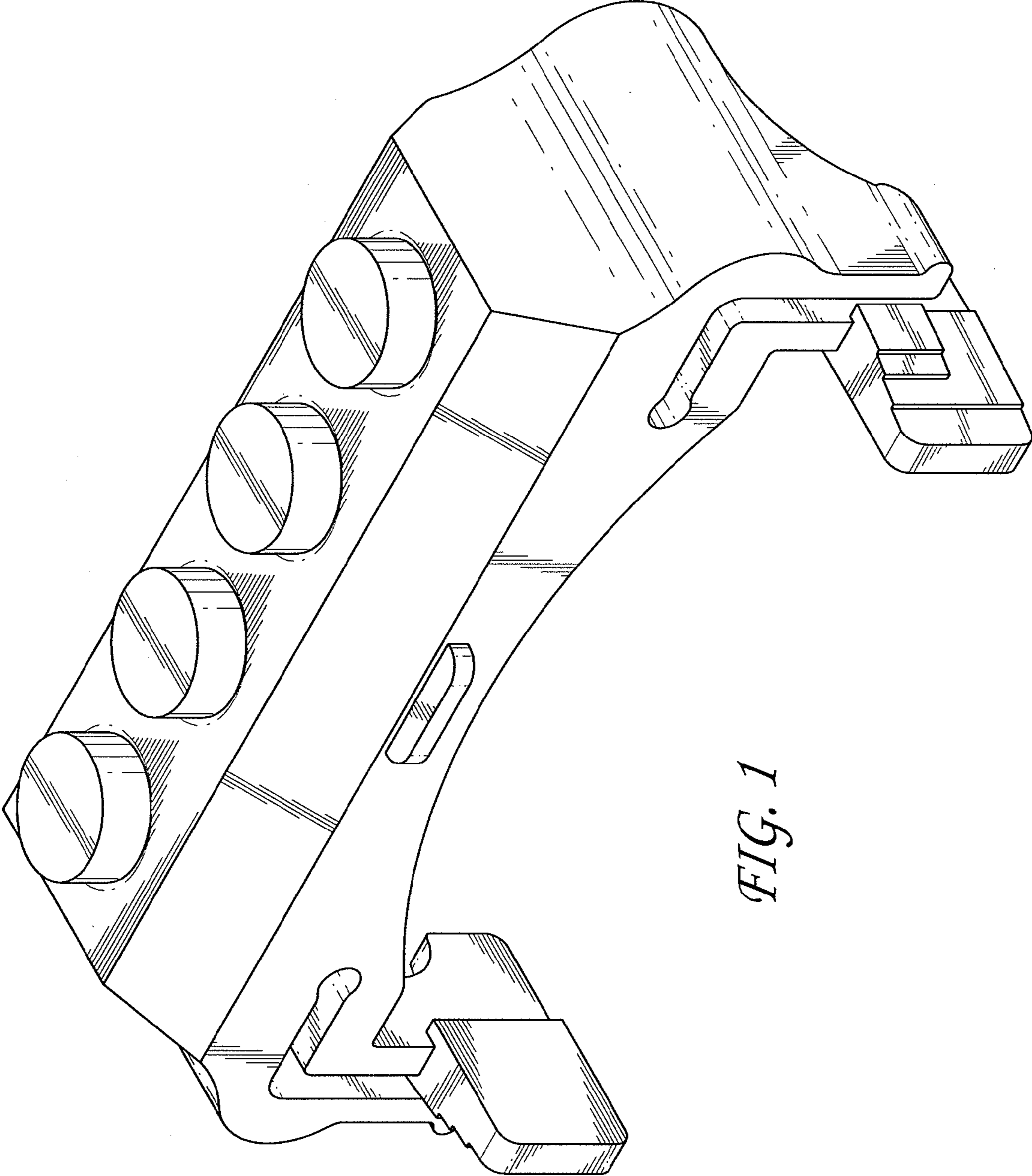


FIG. 1

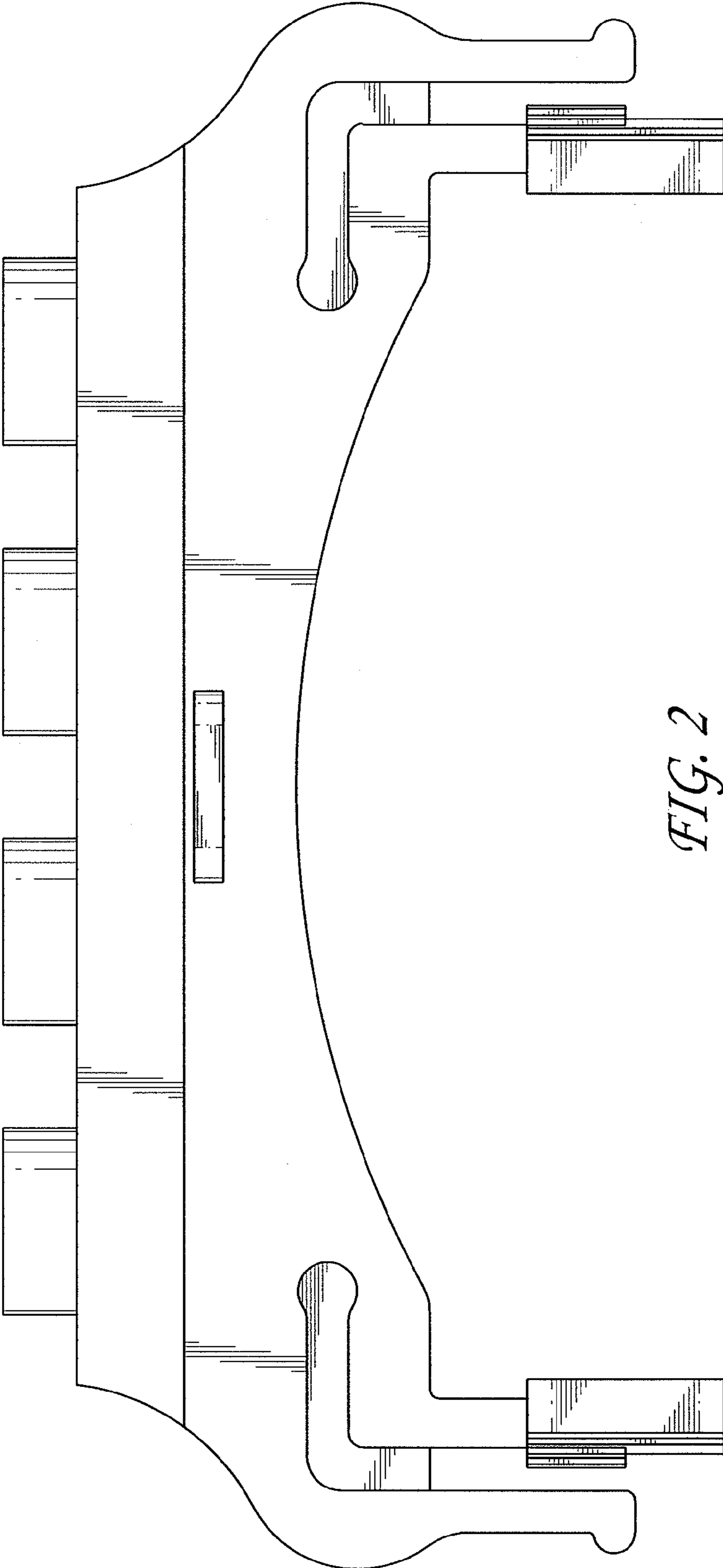


FIG. 2

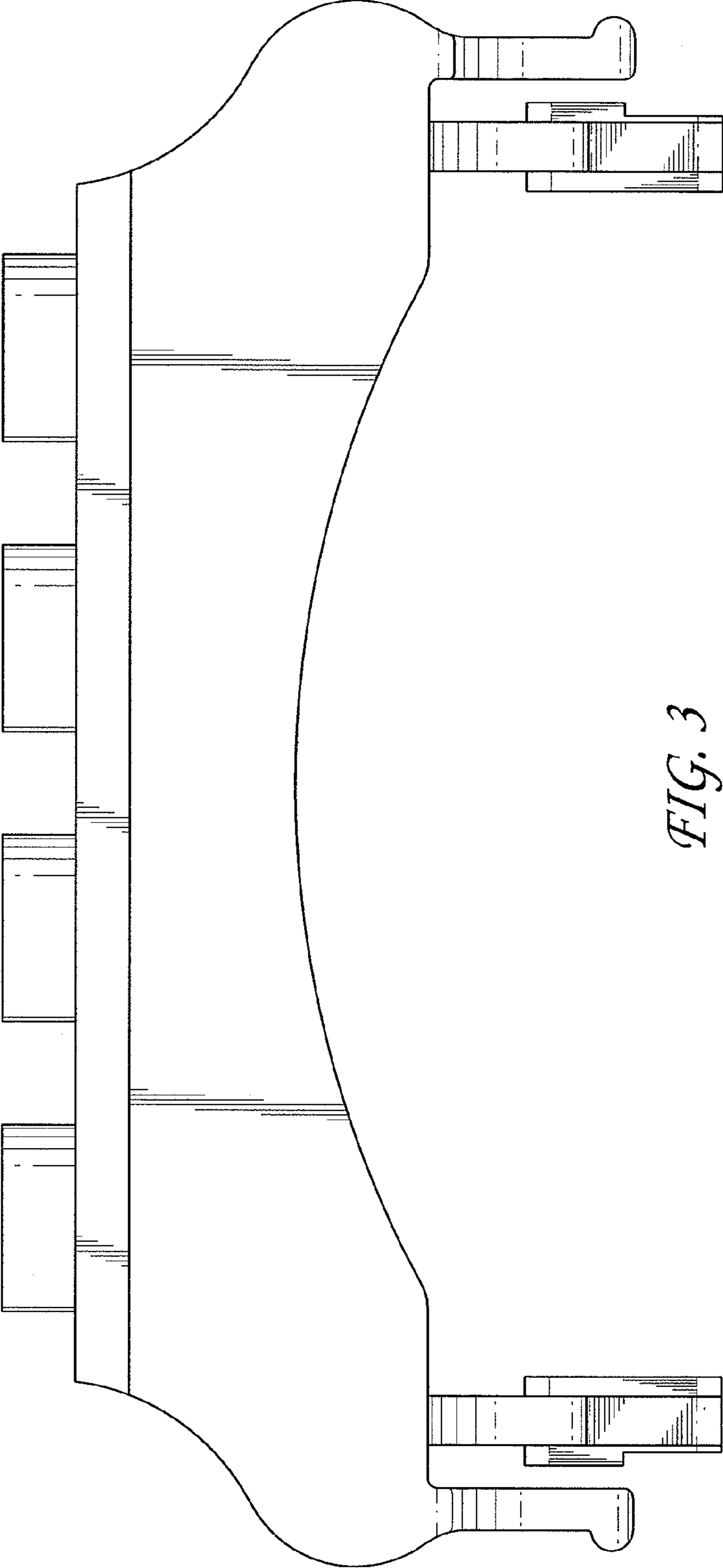


FIG. 3

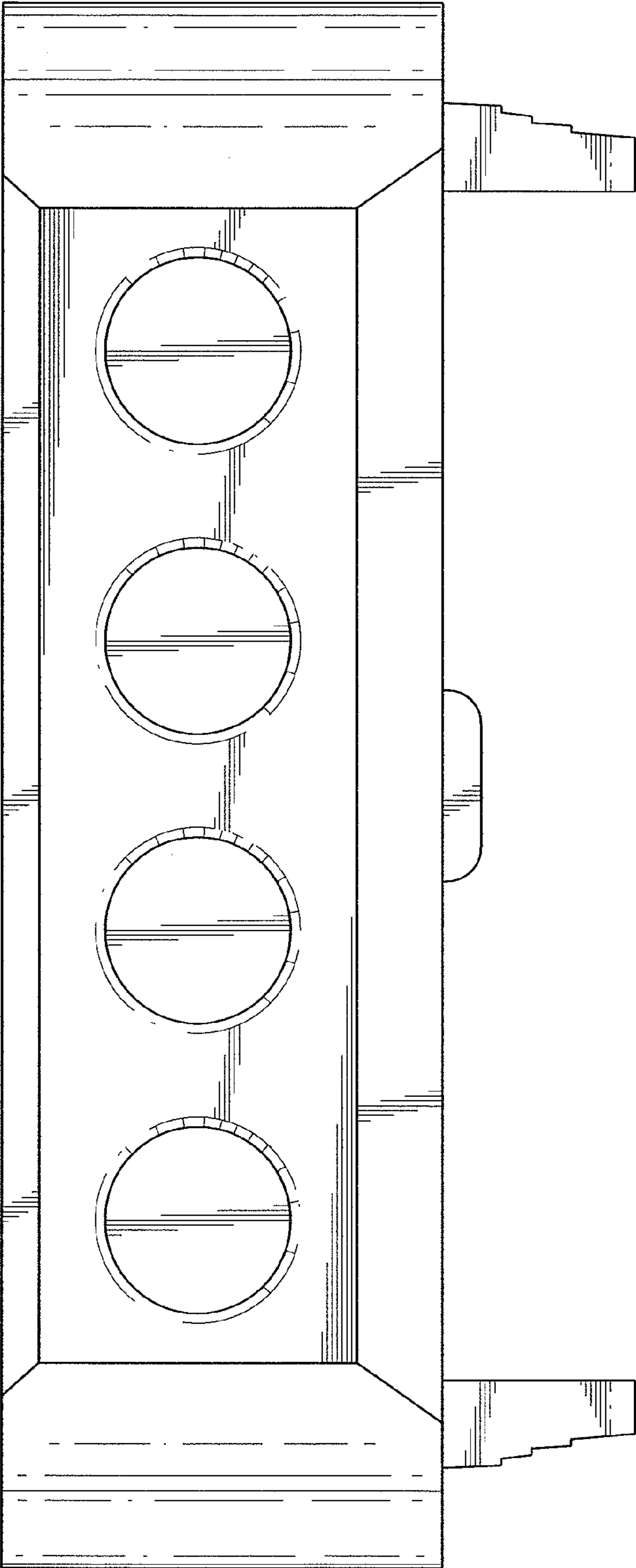


FIG. 4

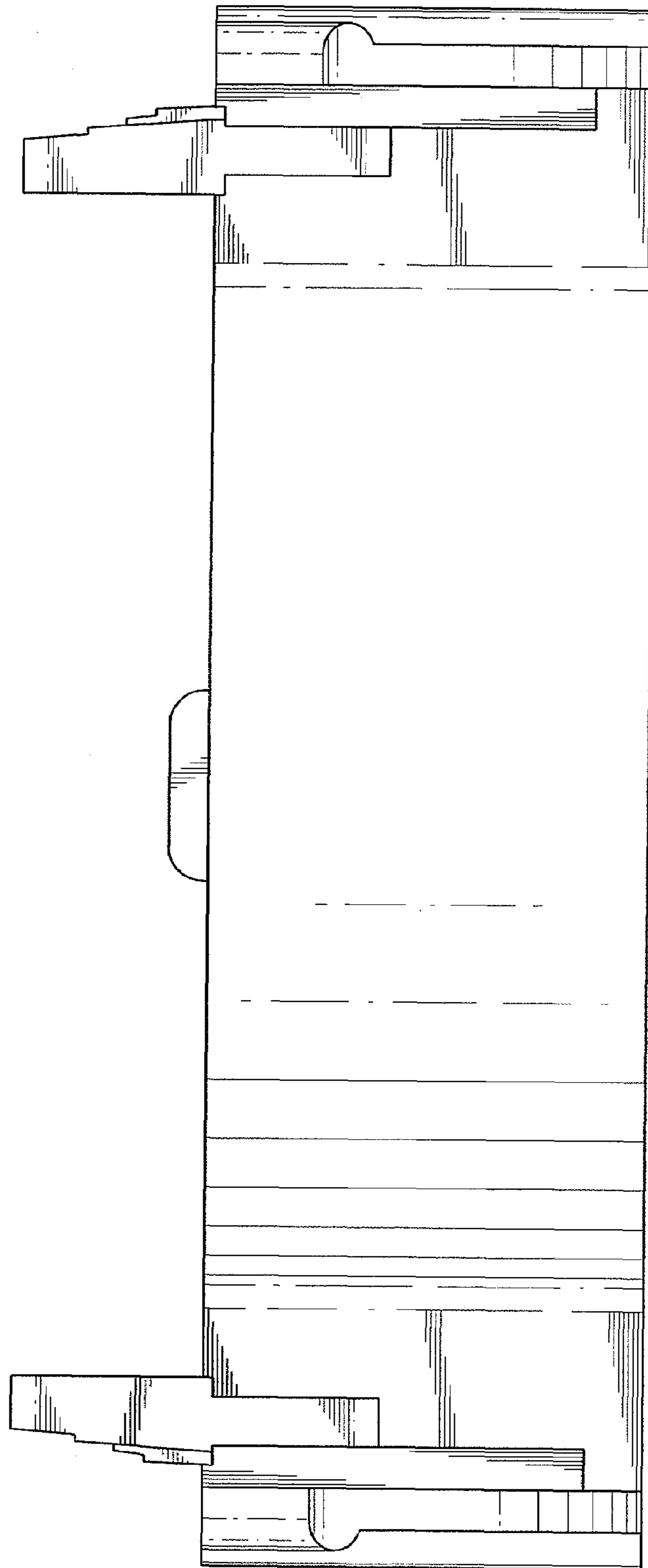
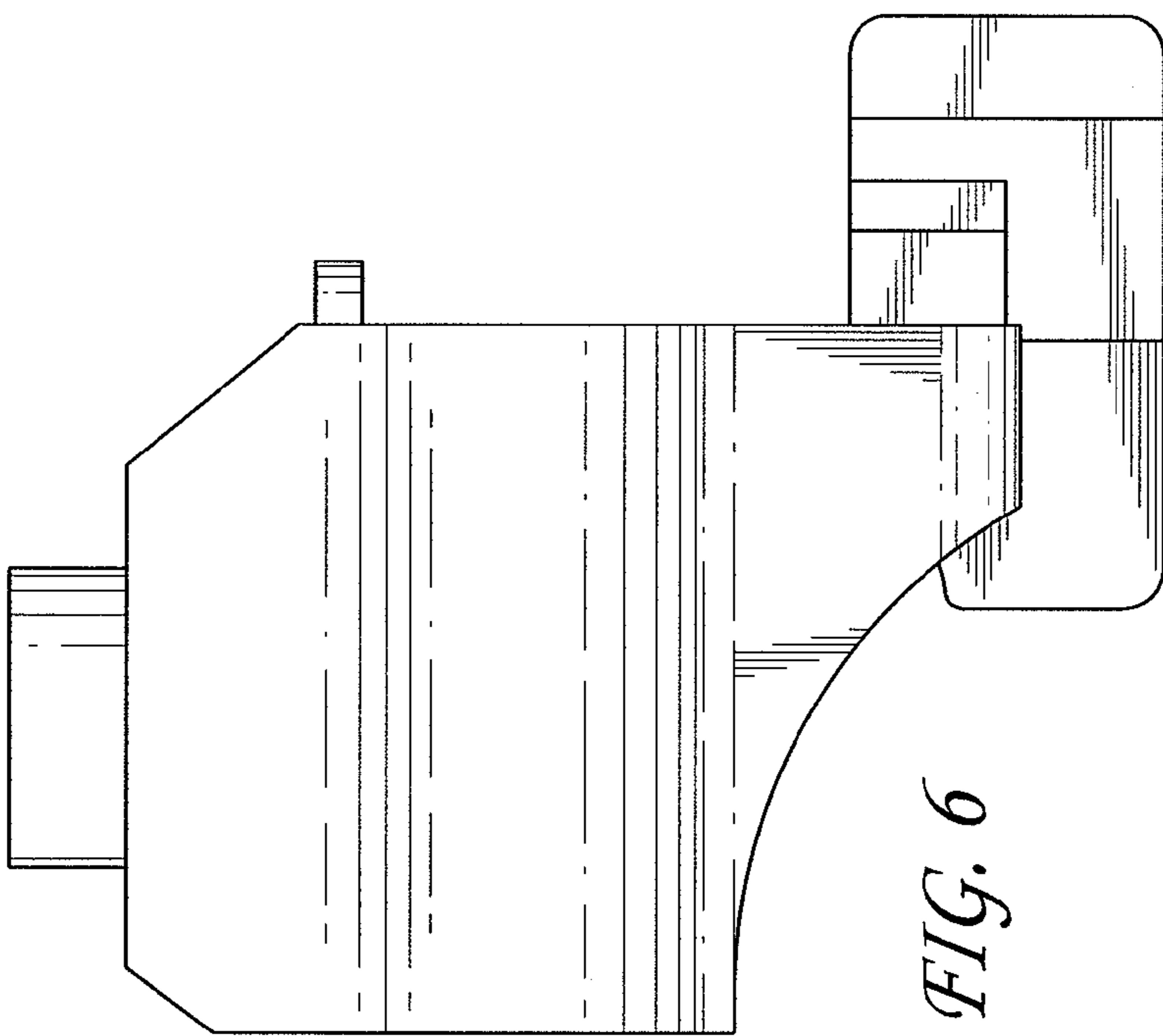
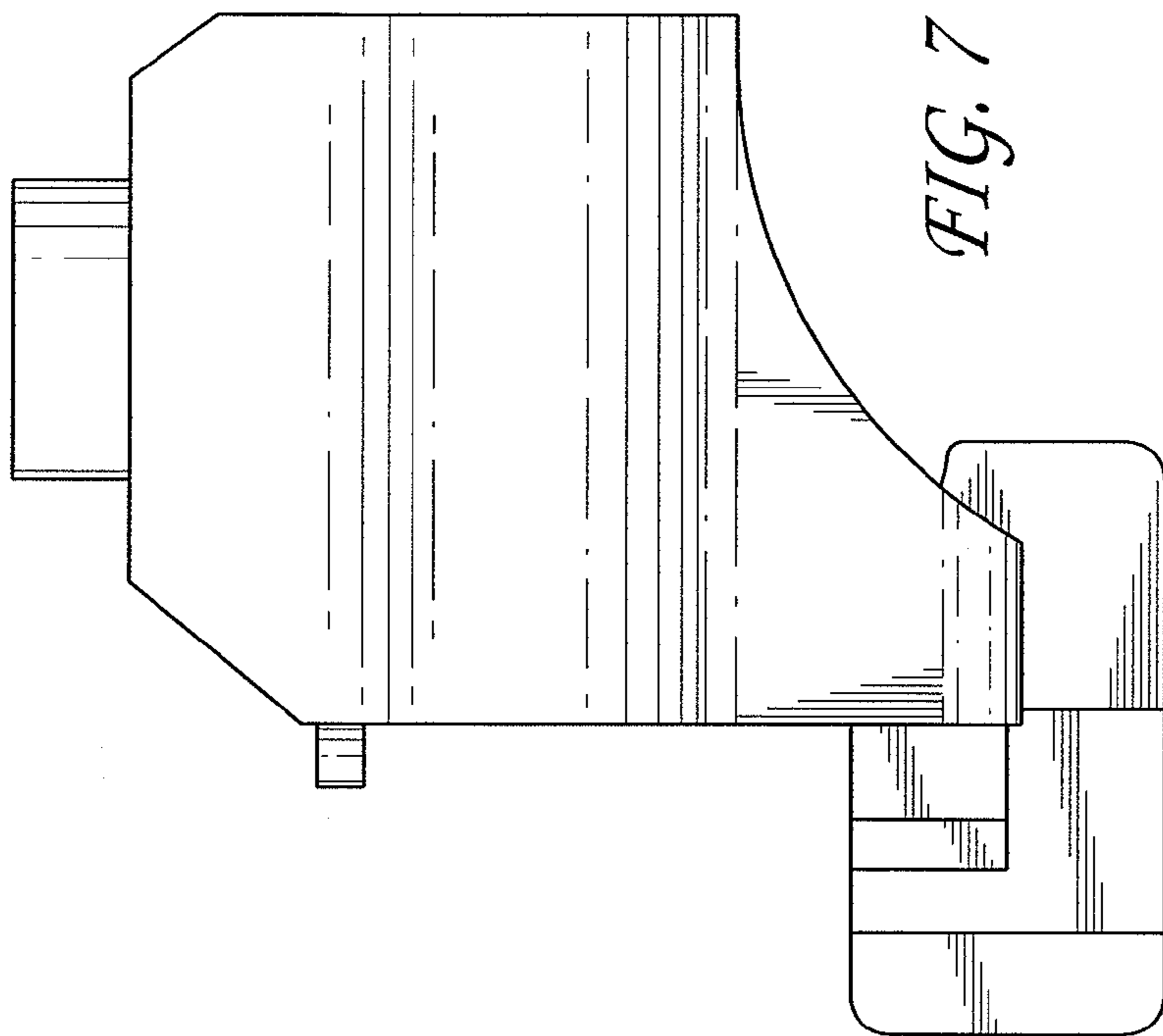


FIG. 5



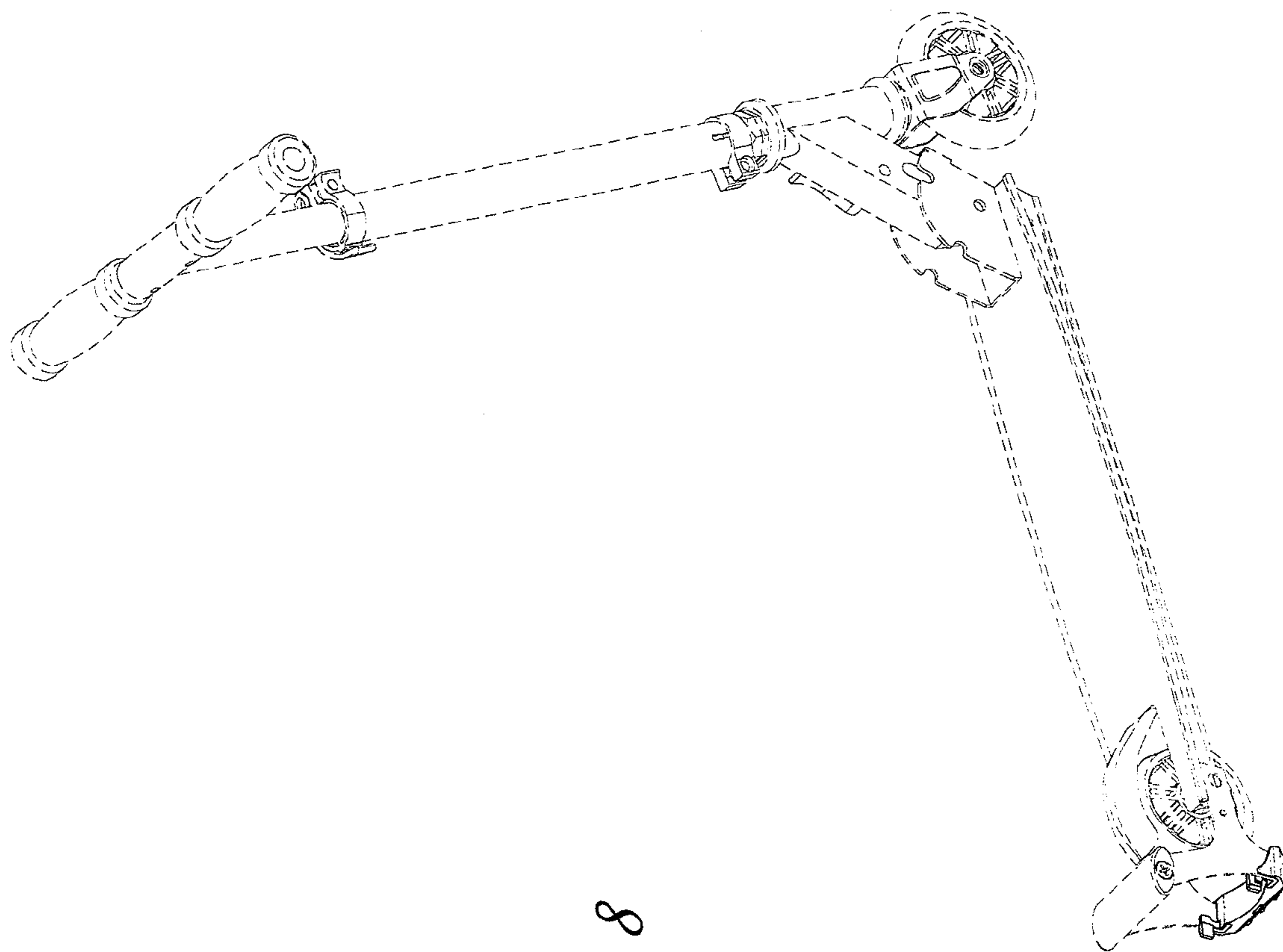


FIG. 8