



US00D606606S

(12) **United States Design Patent**
Llewellyn et al.

(10) **Patent No.:** **US D606,606 S**

(45) **Date of Patent:** **** Dec. 22, 2009**

(54) **BACK DESIGN FOR AN IRON GOLF CLUB HEAD**

(75) Inventors: **David Llewellyn**, Duluth, GA (US);
Chris Voshall, Atlanta, GA (US);
Kazuhiro Doi, Gifu-pref (JP)

(73) Assignee: **Mizuno USA, Inc.**, Norcross, GA (US)

(**) Term: **14 Years**

(21) Appl. No.: **29/330,014**

(22) Filed: **Dec. 24, 2008**

(51) **LOC (9) Cl.** **21-02**

(52) **U.S. Cl.** **D21/759**

(58) **Field of Classification Search** D21/747–751,
D21/759; 473/324–331, 350

See application file for complete search history.

(56) **References Cited**

U.S. PATENT DOCUMENTS

D404,780 S *	1/1999	Long	D21/749
D456,056 S *	4/2002	Bakke	D21/747
D539,863 S *	4/2007	Nunez et al.	D21/748
D556,279 S *	11/2007	Lorentzen et al.	D21/747
D591,373 S *	4/2009	Foster et al.	D21/747
D591,808 S *	5/2009	Clausen et al.	D21/747

* cited by examiner

Primary Examiner—Mitchell I Siegel

(74) *Attorney, Agent, or Firm*—Troutman Sanders LLP;
James Hunt Yancey, Jr.; Filip A. Kowalewski

(57) **CLAIM**

The ornamental design for a back design for an iron golf club head, as shown and described.

DESCRIPTION

FIG. 1 illustrates a rear view of a new design of an iron golf club head depicting a cavity formed in a rear face of the golf club and a recess and a rear face extension extending outwardly from the rear face;

FIG. 2 is a side perspective view of the design shown in FIG. 1 depicting a cavity formed in a rear face of the golf club and a recess and a rear face extension extending outwardly from the rear face;

FIG. 3 is a side perspective view of the design shown in FIG. 1 depicting a cavity formed in a rear face of the golf club and a recess and a rear face extension extending outwardly from the rear face;

FIG. 4 is side elevational view of the design shown in FIG. 1 depicting a cavity formed in a rear face of the golf club and a recess and a rear face extension extending outwardly from the rear face;

FIG. 5 is side perspective view taken from the heel of the design shown in FIG. 1 depicting a cavity formed in a rear face of the golf club and a recess and a rear face extension extending outwardly from the rear face;

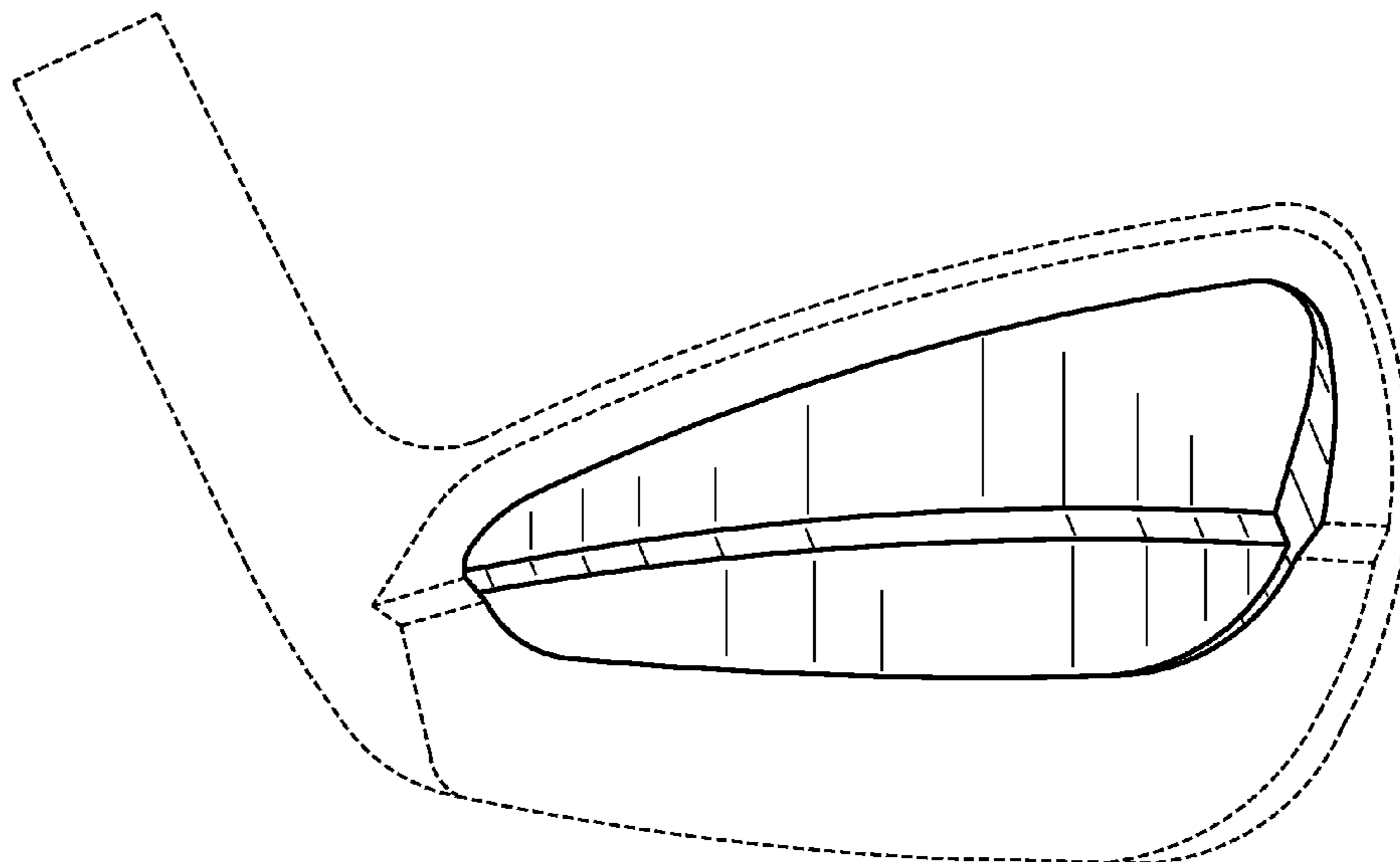
FIG. 6 is a rear-angled perspective view depicting a cavity formed in a rear face of the golf club and a recess and a rear face extension extending outwardly from the rear face;

FIG. 7 is another rear-angled perspective view depicting a cavity formed in a rear face of the golf club and a recess and a rear face extension extending outwardly from the rear face; and,

FIG. 8 is an angled perspective view taken from the toe of design shown in FIG. 1 depicting a cavity formed in a rear face of the golf club and a recess and a rear face extension extending outwardly from the rear face.

The broken, dashed lines shown in the various figures depicting embodiments of the invention are included for the purpose of illustrating context and do not form any part of the claimed design. In some embodiments, however, the broken, dashed lines may be present in an iron golf club head.

1 Claim, 4 Drawing Sheets



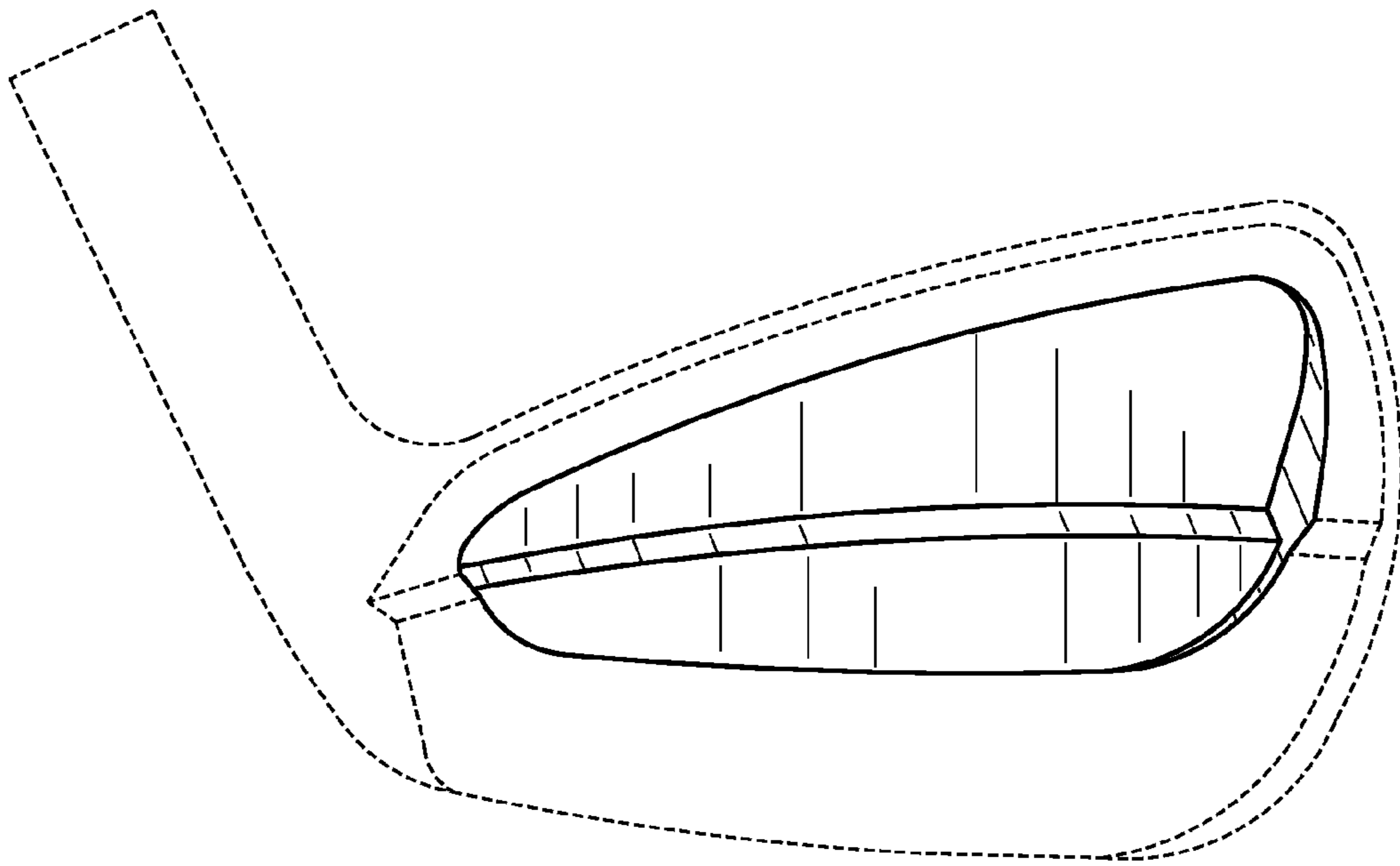


Fig. 1

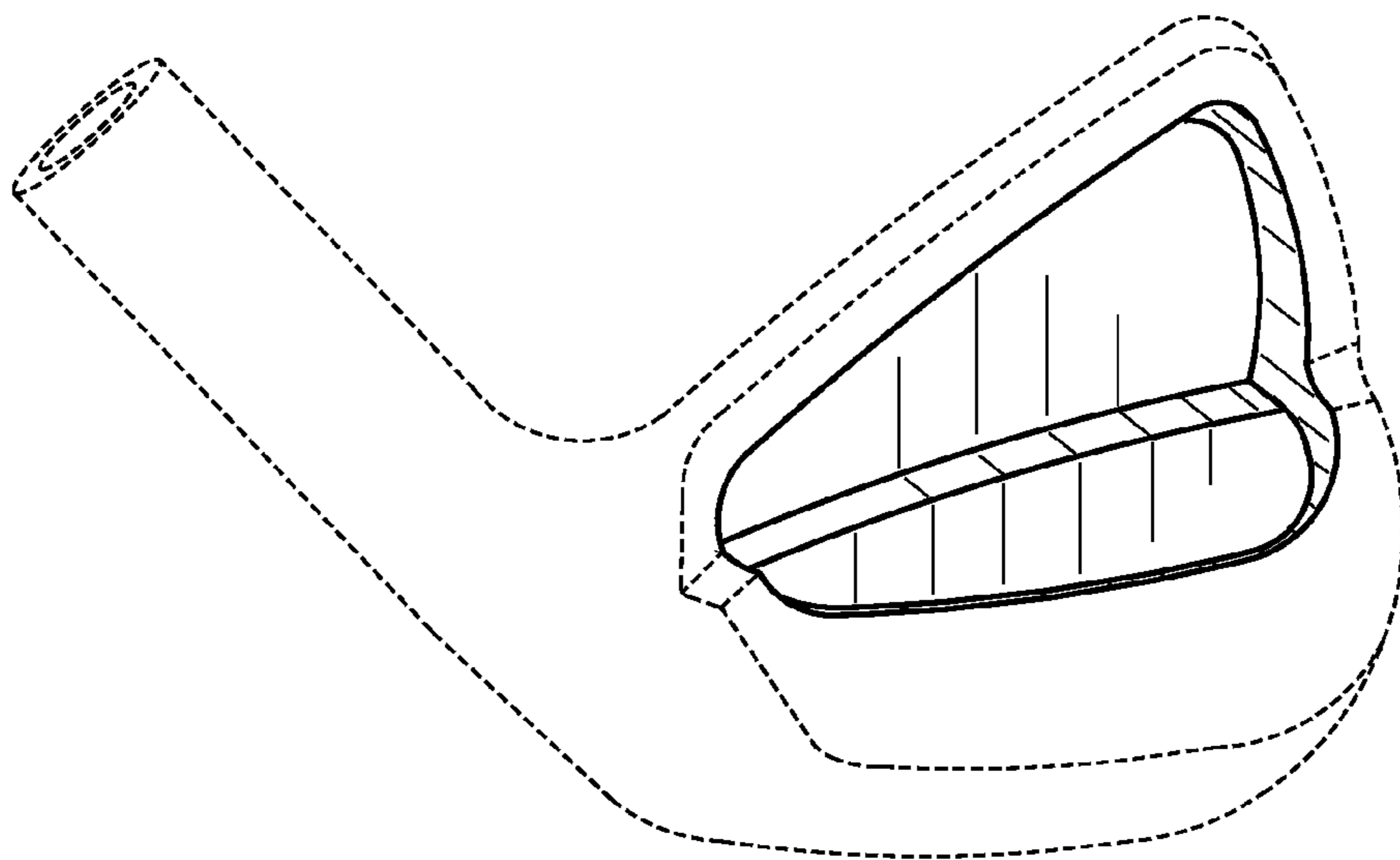


Fig. 2

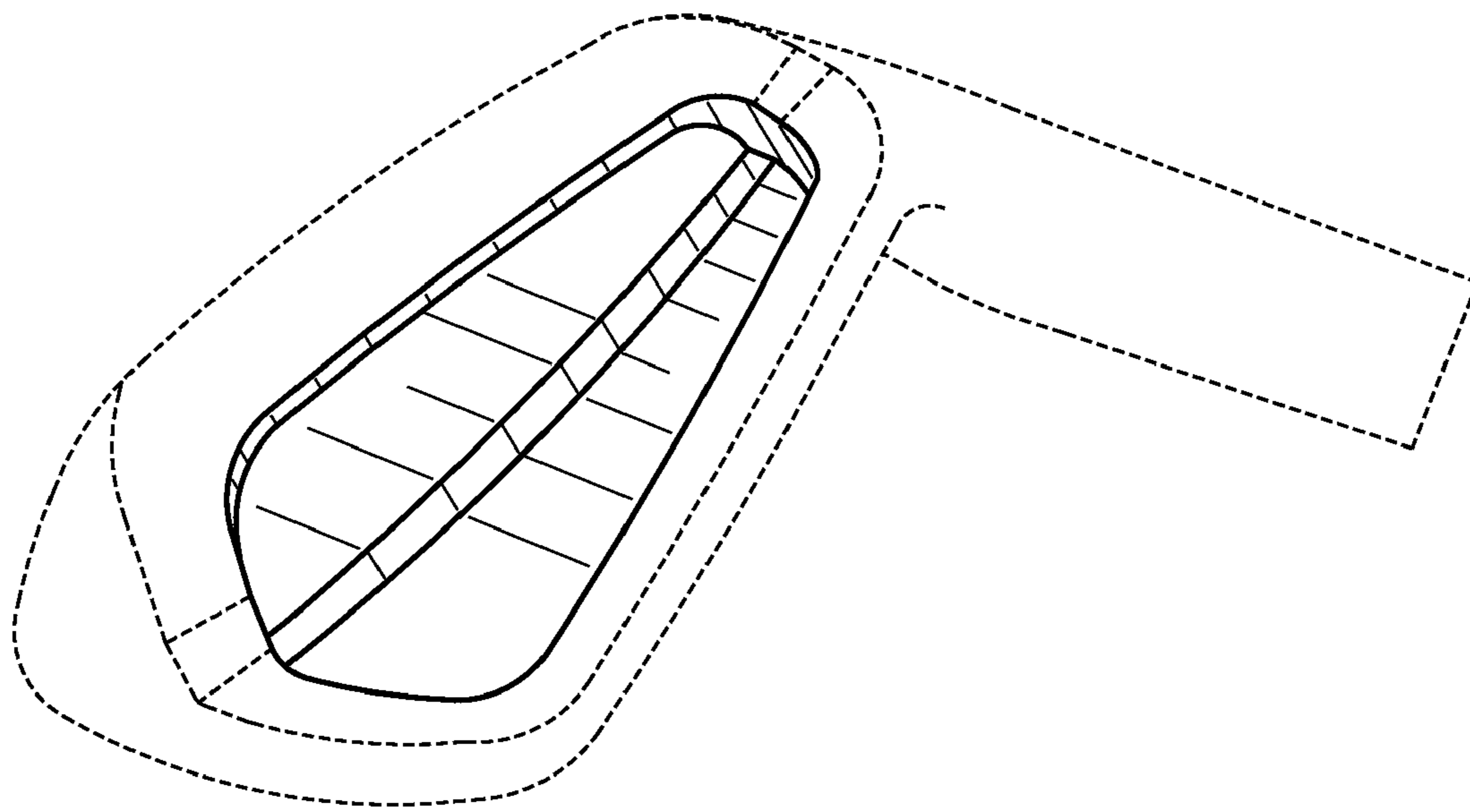


Fig. 3

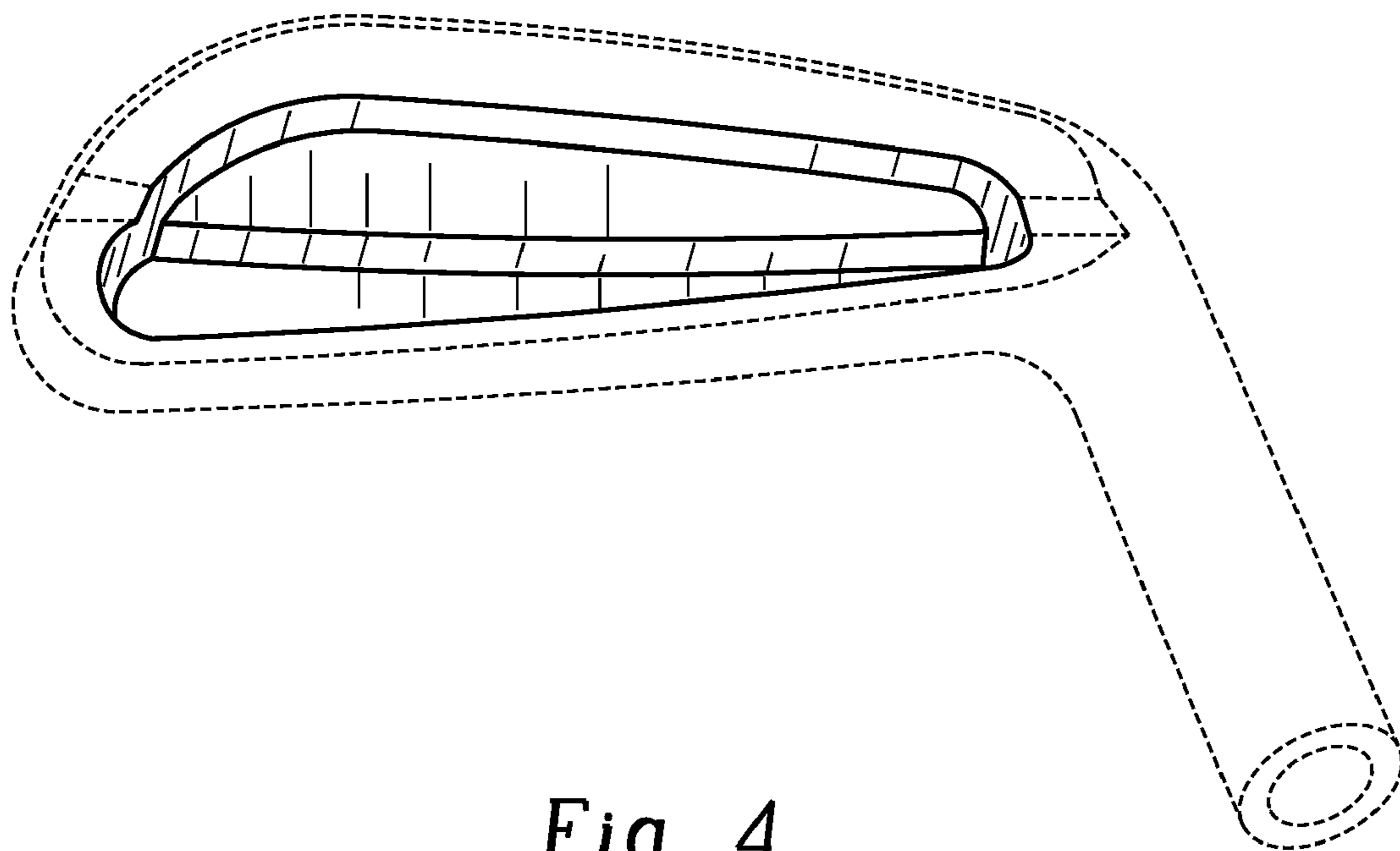


Fig. 4

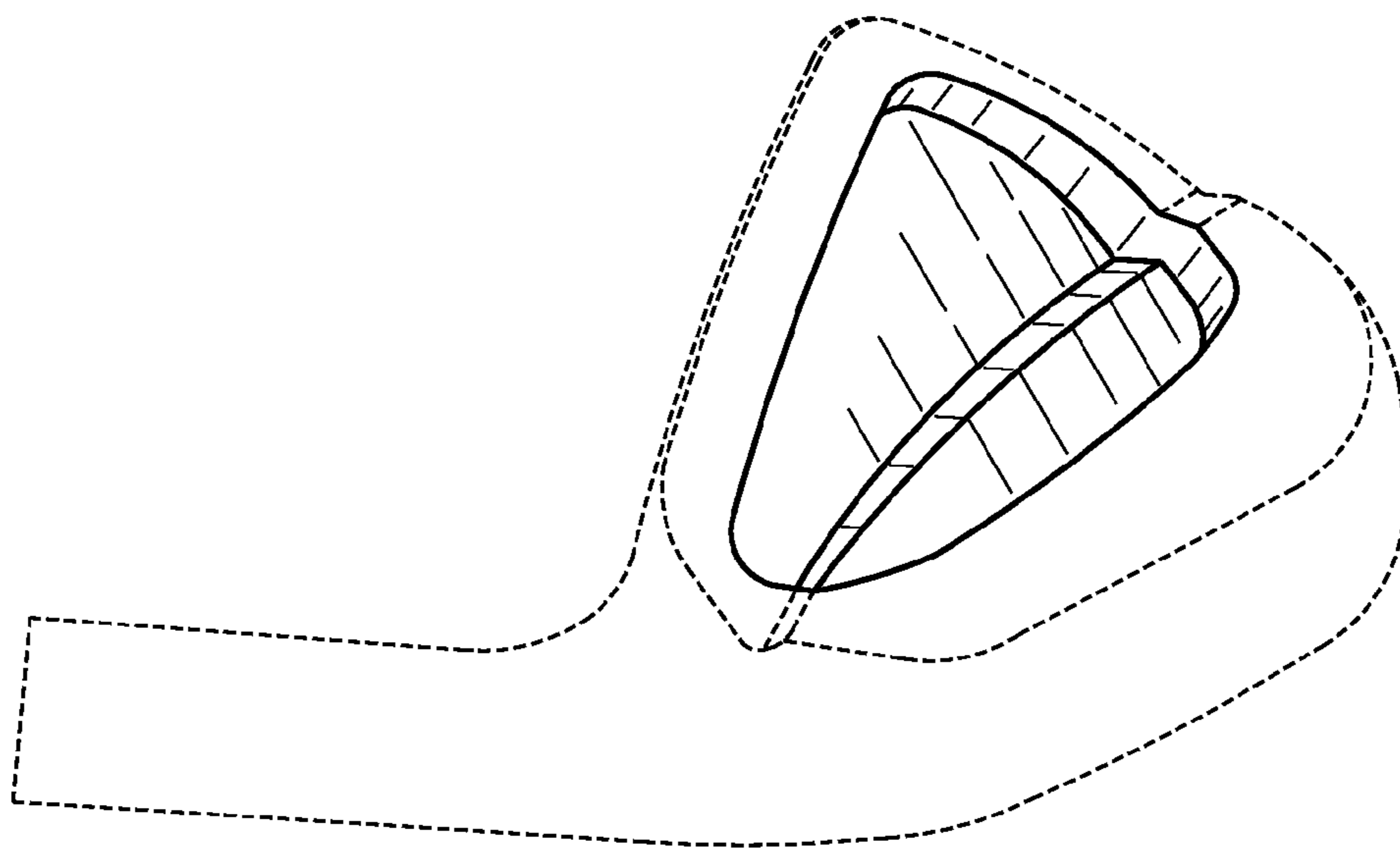


Fig. 5

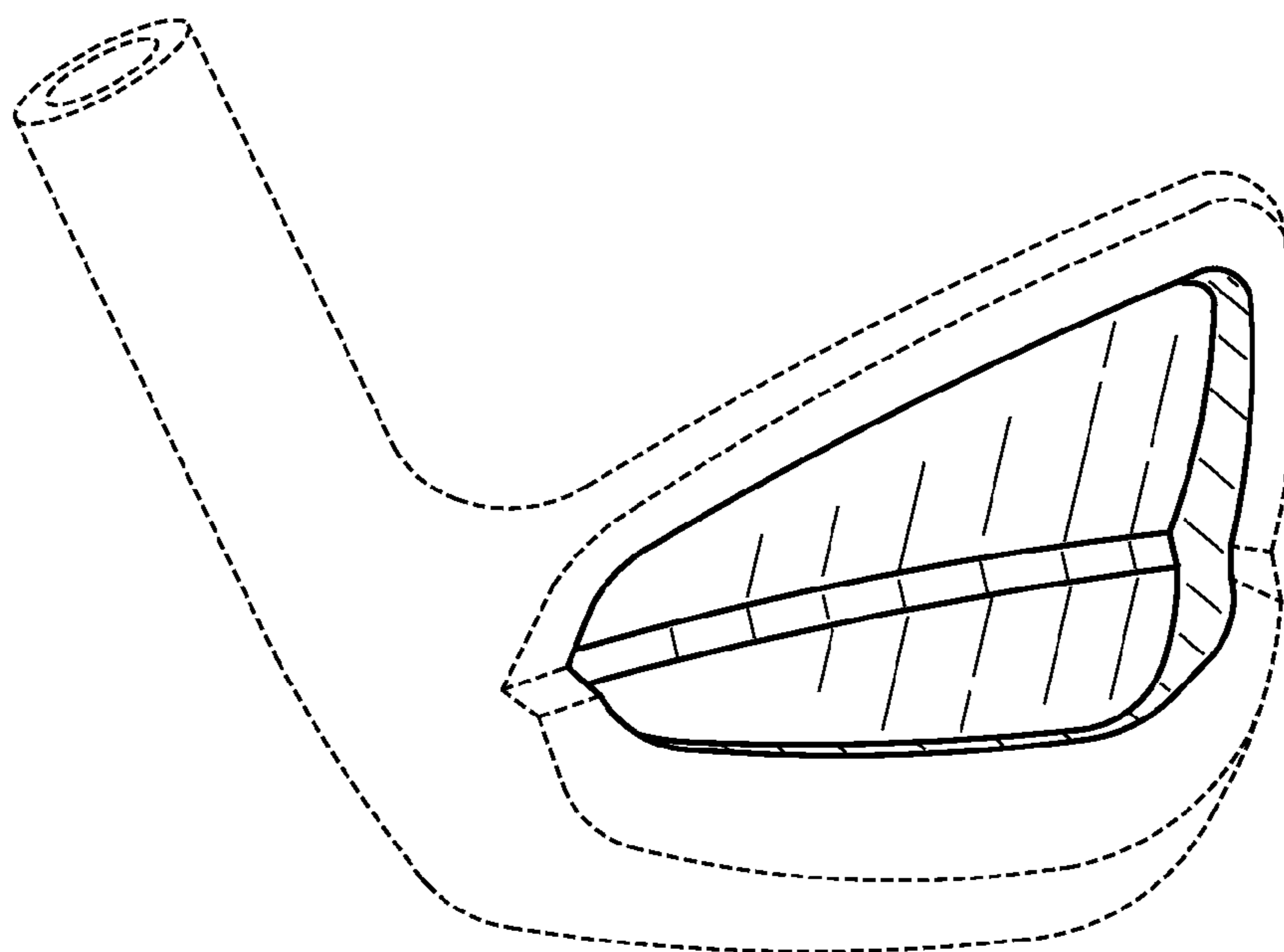


Fig. 6

Fig. 7

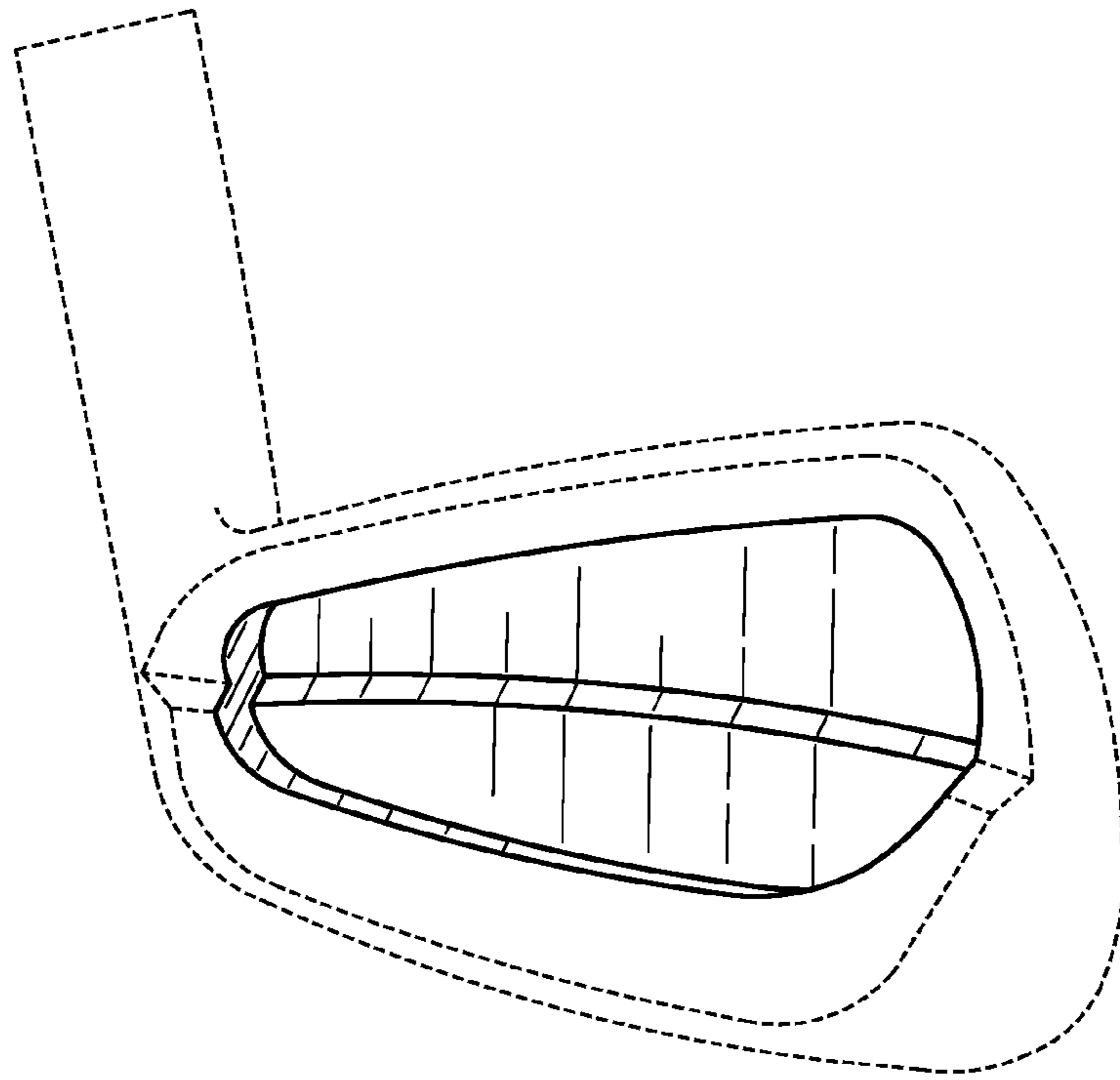


Fig. 8

