



US00D606603S

(12) **United States Design Patent**
Compton

(10) **Patent No.:** **US D606,603 S**

(45) **Date of Patent:** **** Dec. 22, 2009**

(54) **BALL RETRIEVER**

(76) Inventor: **Michael Lynn Compton**, 8624 Leighton Dr., Tampa, FL (US) 33614

(**) Term: **14 Years**

(21) Appl. No.: **29/308,953**

(22) Filed: **Jul. 17, 2008**

(51) **LOC (9) Cl.** **21-02**

(52) **U.S. Cl.** **D21/721**

(58) **Field of Classification Search** D21/715,
D21/720, 721, 789, 796; D8/29; D9/711,
D9/715, 730, 733; D6/512, 515, 516; 473/286,
473/446, 451, 460, 503, 517; 294/19.2; 206/315.9;
221/185, 199, 220, 261, 303, 306, 307, 31
See application file for complete search history.

(56) **References Cited**

U.S. PATENT DOCUMENTS

2,027,546	A *	1/1936	MacDonald	294/19.2
2,431,121	A *	11/1947	Hunter	453/51
2,551,486	A *	5/1951	Burden	294/19.2
2,718,801	A *	9/1955	Finley	81/3.41
4,522,438	A	6/1985	Logue		
5,060,996	A	10/1991	Garnes		
5,188,410	A *	2/1993	Summers	294/19.2
5,340,179	A *	8/1994	Rubin	294/19.2
D350,579	S *	9/1994	Lee	D21/721
5,476,297	A	12/1995	Lombard		
5,505,510	A	4/1996	Duncan		

D374,697	S	10/1996	McKnight		
D411,278	S	6/1999	Sammons et al.		
5,988,716	A *	11/1999	Liao	294/19.2
6,386,607	B1 *	5/2002	Deiningner	294/19.2
7,422,530	B1 *	9/2008	Olaveson	473/386
D580,999	S *	11/2008	Mitchell	D21/721
2002/0117870	A1	8/2002	Cash		
2008/0185855	A1	8/2008	Compton		

* cited by examiner

Primary Examiner—Catherine Tuttle

(74) *Attorney, Agent, or Firm*—Scott D. Compton

(57) **CLAIM**

The ornamental design for a ball retriever, as shown and described.

DESCRIPTION

FIG. 1 is a perspective view of a ball retriever showing my new design;

FIG. 2 is a top view of the ball retriever;

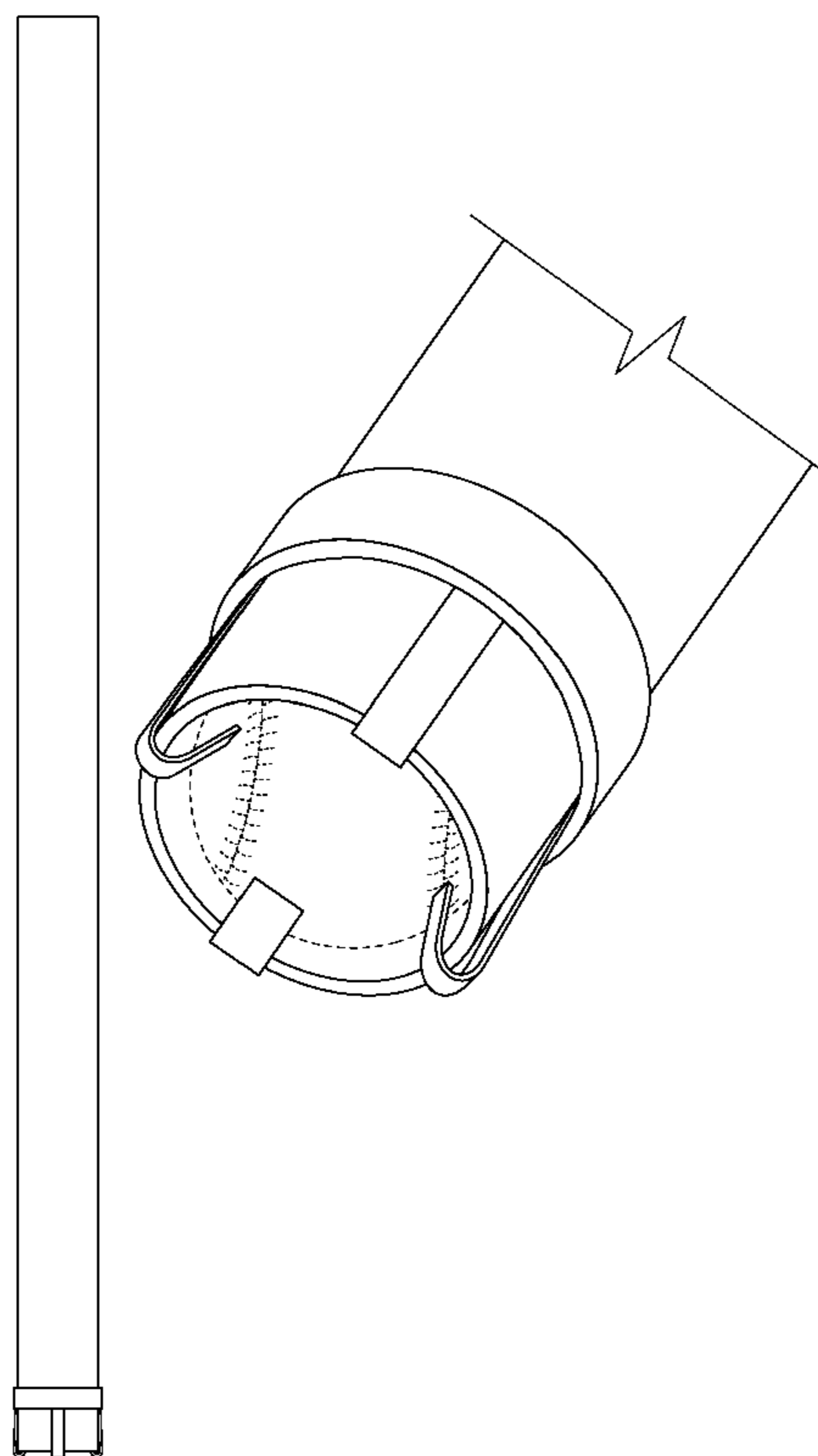
FIG. 3 is a bottom view of the ball retriever;

FIG. 4 is a side elevational view thereof; and,

FIG. 5 is a perspective view of the bottom end of the ball retriever including a baseball retained therein.

The broken lines shown in FIG. 5 are included for the purpose of illustrating an associated baseball that forms no part of the claimed design.

1 Claim, 2 Drawing Sheets



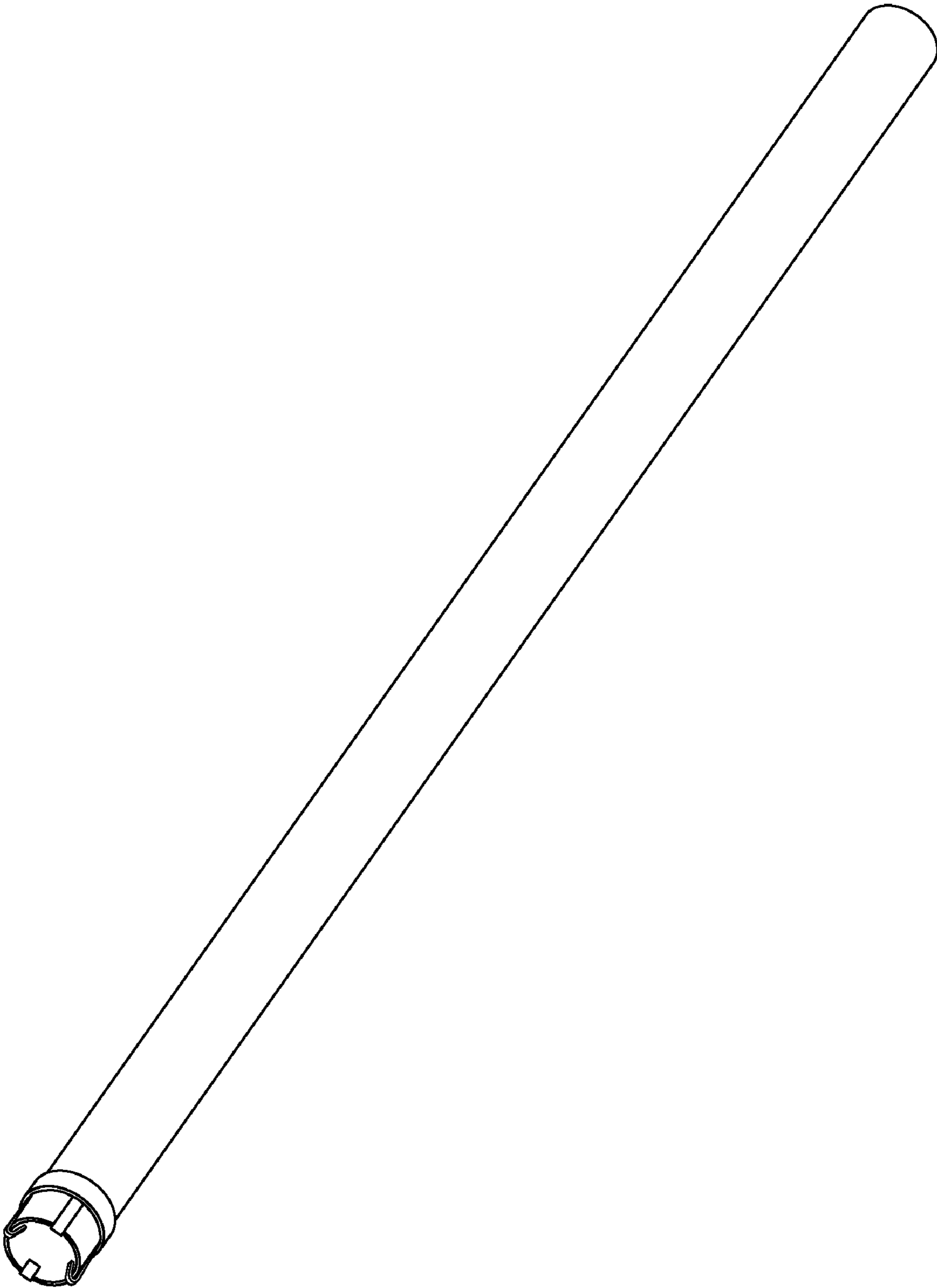


FIG. 1

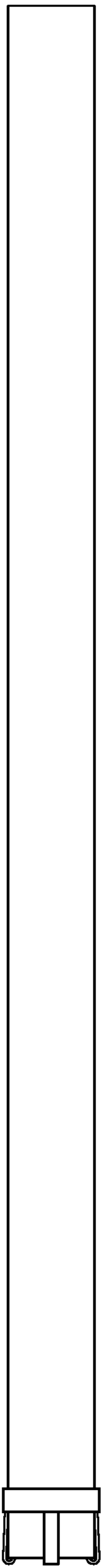


FIG. 4

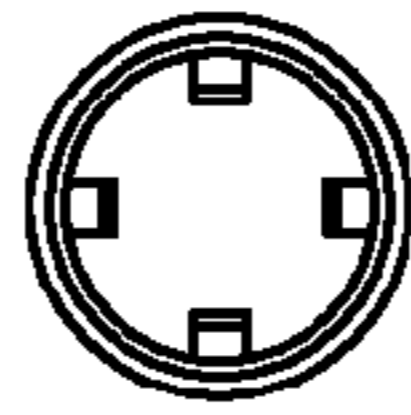


FIG. 2

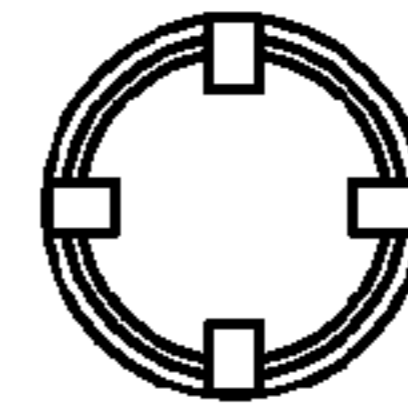


FIG. 3

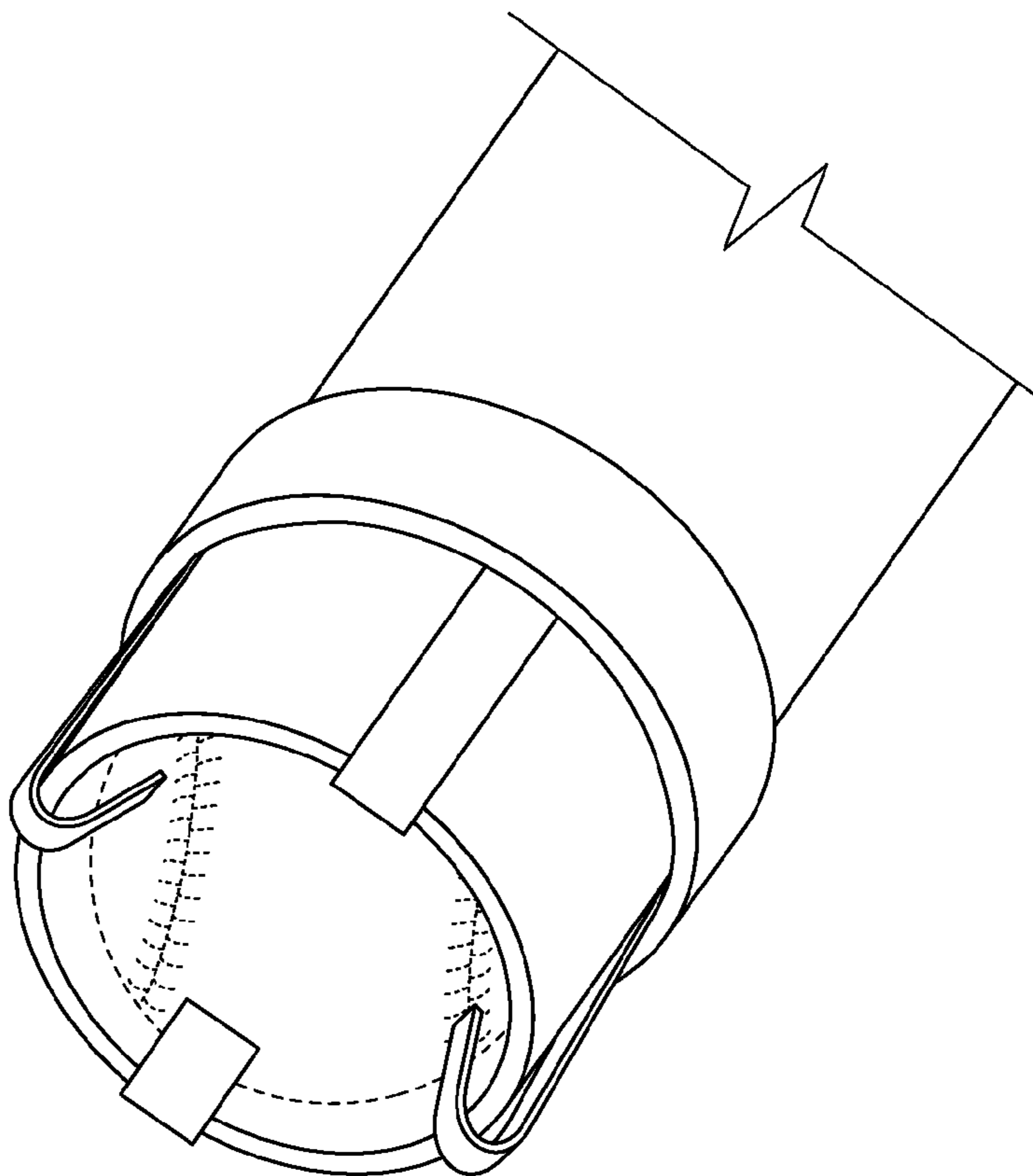


FIG. 5