



US00D606601S

(12) **United States Design Patent**  
**Muramatsu**

(10) **Patent No.:** **US D606,601 S**  
(45) **Date of Patent:** **\*\* Dec. 22, 2009**

(54) **FITNESS APPARATUS**

FOREIGN PATENT DOCUMENTS

(75) Inventor: **Etsushi Muramatsu**, Yokohama (JP)

JP 1284674 11/1989

(73) Assignee: **Panasonic Electric Works Co., Ltd.**,  
Osaka (JP)

\* cited by examiner

(\*\*) Term: **14 Years**

*Primary Examiner*—Philip S Hyder

(21) Appl. No.: **29/313,475**

(74) *Attorney, Agent, or Firm*—Greenblum & Bernstein,  
P.L.C.

(22) Filed: **Jan. 9, 2009**

(57) **CLAIM**

(30) **Foreign Application Priority Data**

The ornamental design for a fitness apparatus, as shown and described.

Jul. 9, 2008 (JP) ..... 2008-017625

**DESCRIPTION**

(51) **LOC (9) Cl.** ..... **21-02**

FIG. 1 is a perspective view of a fitness apparatus showing my new design;

(52) **U.S. Cl.** ..... **D21/690; D21/686**

FIG. 2 is a right side elevation view thereof, wherein the left side elevation view is a mirror image;

(58) **Field of Classification Search** ..... D21/662,  
D21/686, 690; 482/51; 446/313; 434/61  
See application file for complete search history.

FIG. 3 is a rear elevation view thereof;

(56) **References Cited**

U.S. PATENT DOCUMENTS

3,997,979 A \* 12/1976 Turner ..... 472/29

4,519,787 A \* 5/1985 Williams ..... 446/313

5,085,425 A \* 2/1992 Collins et al. .... 472/97

5,533,899 A \* 7/1996 Young ..... 434/61

D440,264 S \* 4/2001 Venhuizen ..... D21/690

D459,419 S \* 6/2002 Nishiyama et al. .... D21/686

D507,312 S \* 7/2005 Nishiyama et al. .... D21/690

D532,828 S \* 11/2006 Muramatsu ..... D21/690

D575,362 S \* 8/2008 Ng ..... D21/690

2007/0293373 A1 \* 12/2007 Nakanishi ..... 482/51

FIG. 4 is a front elevation view thereof;

FIG. 5 is a top plan view thereof;

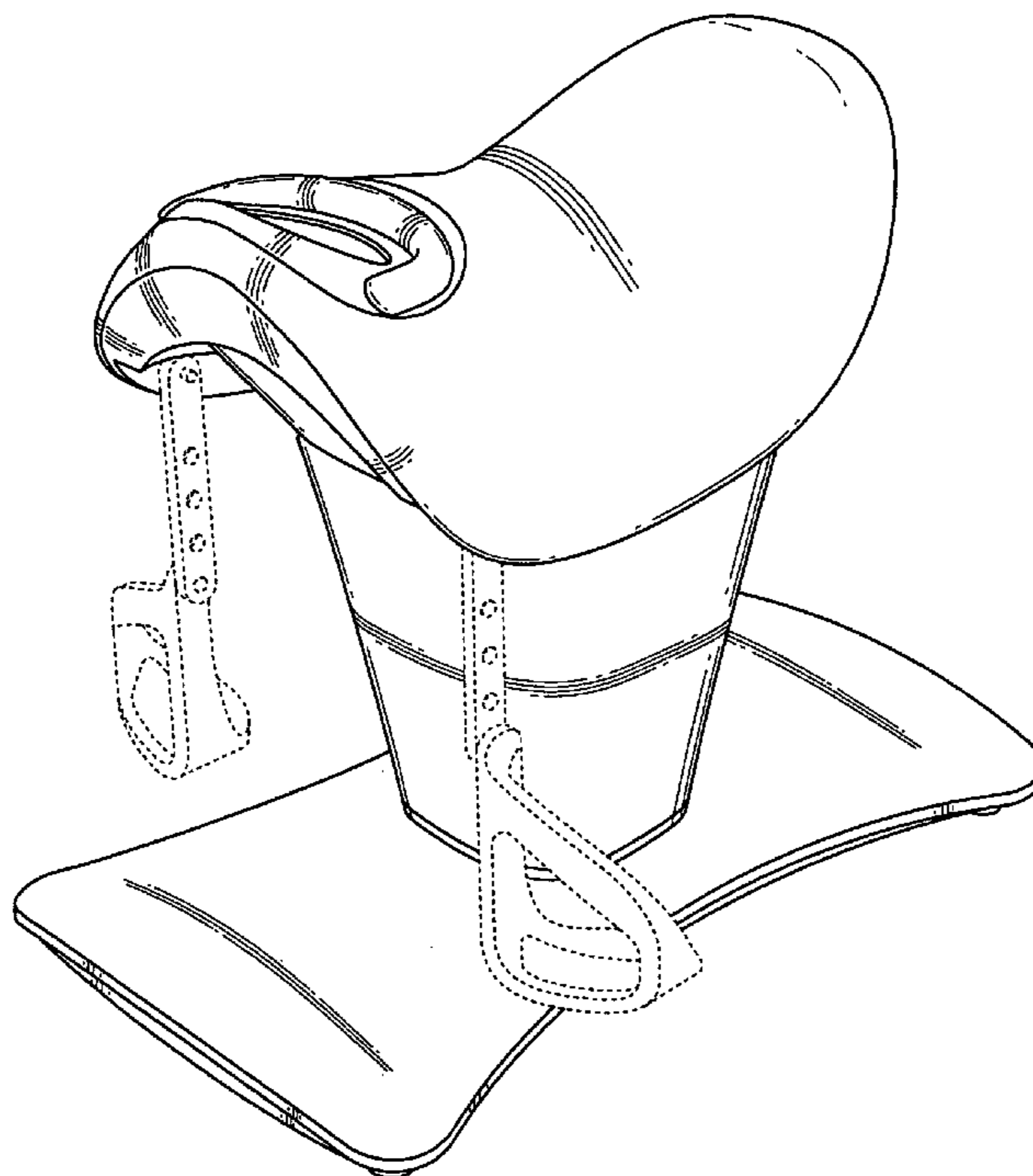
FIG. 6 is a bottom plan view thereof; and,

FIG. 7 is a cross section view taken along line 7—7 in FIG. 2 in which the internal components are omitted.

The broken line showings of the stirrups are provided for purposes of environment and form no part of the claimed design. The broken lines in FIG. 7 shown unclaimed portions of the design.

A left side view of the design according to the invention is a mirror image of the right side view as shown in FIG. 2.

**1 Claim, 7 Drawing Sheets**



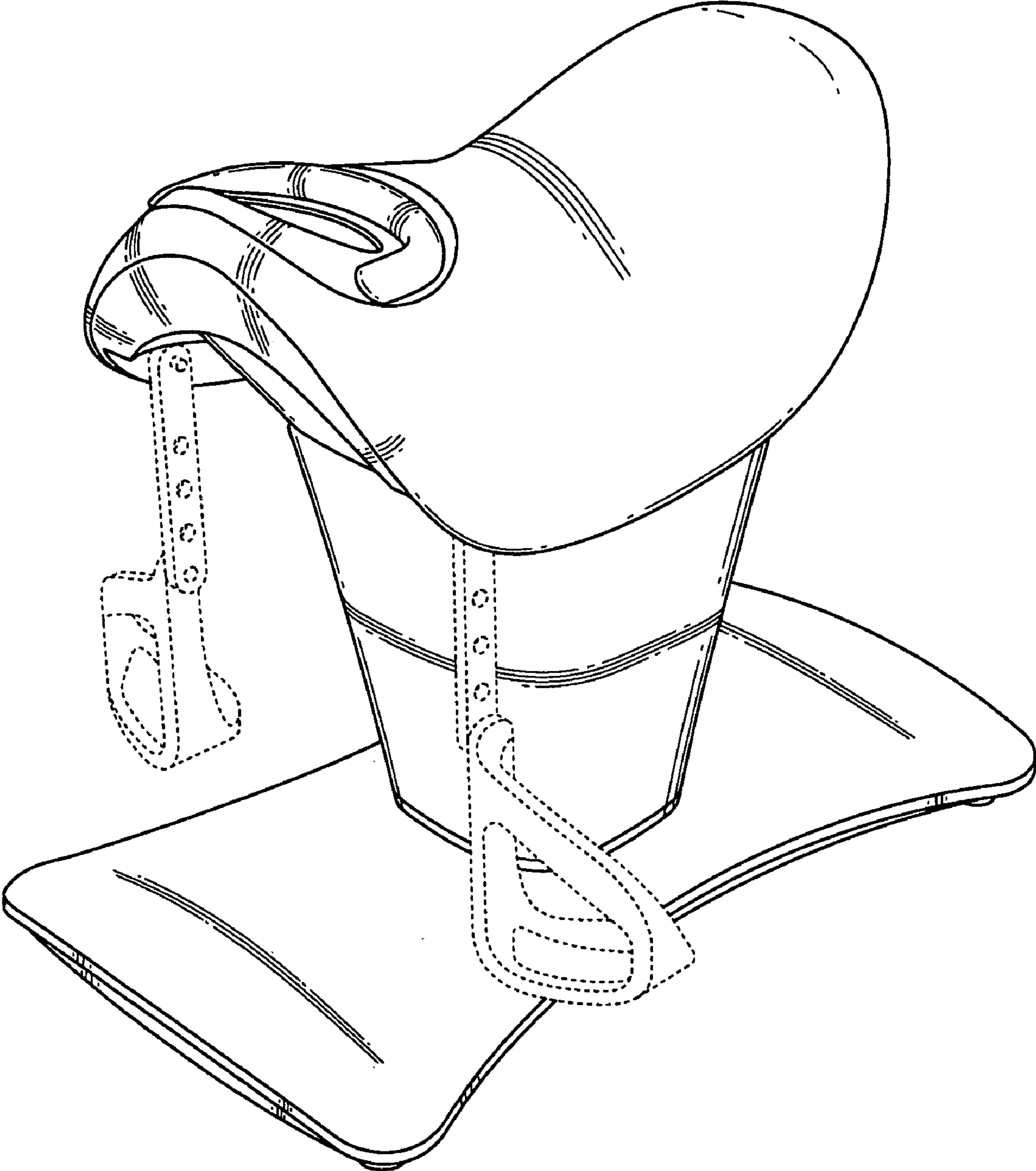


FIG. 1

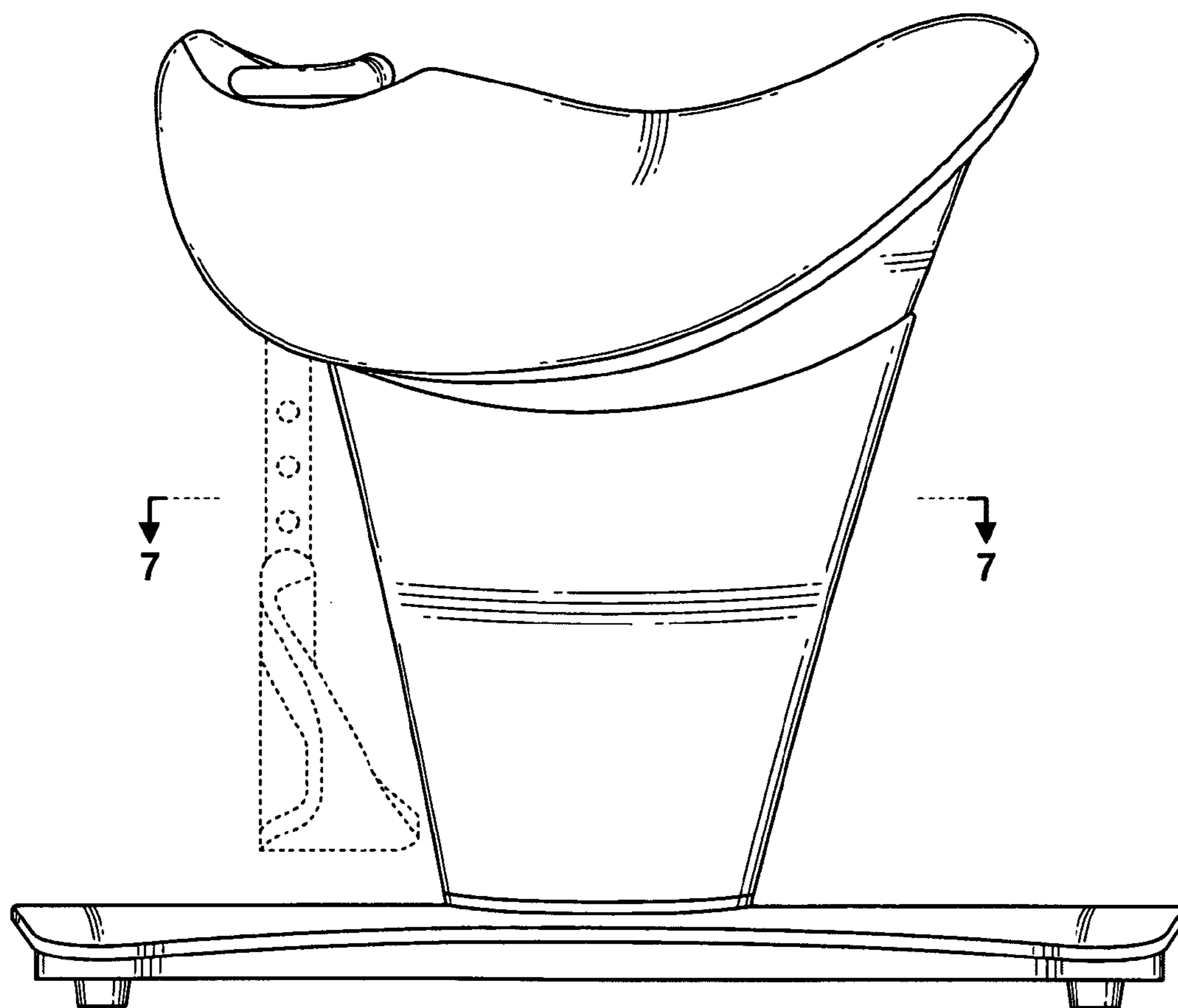
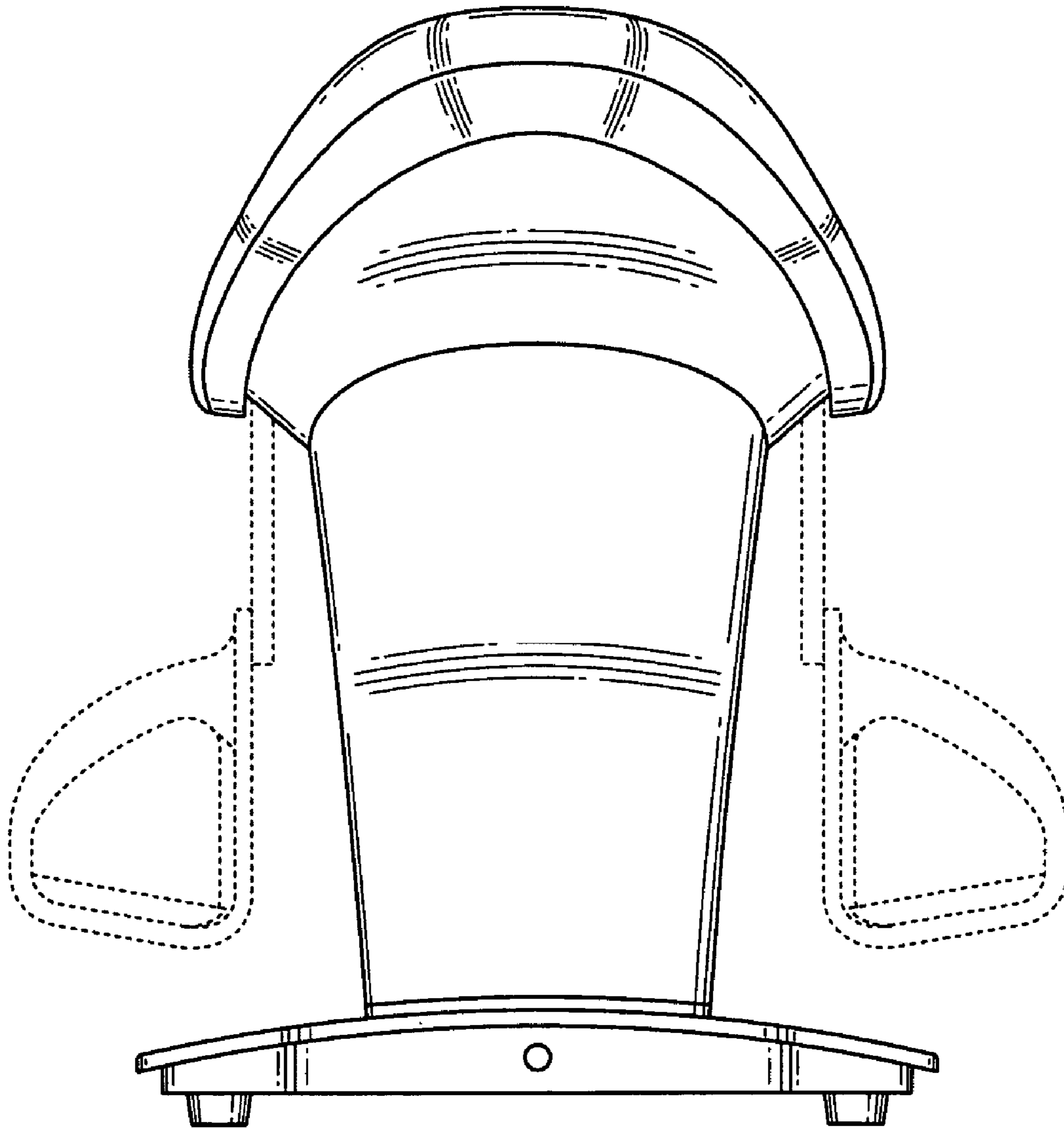


FIG. 2



**FIG. 3**

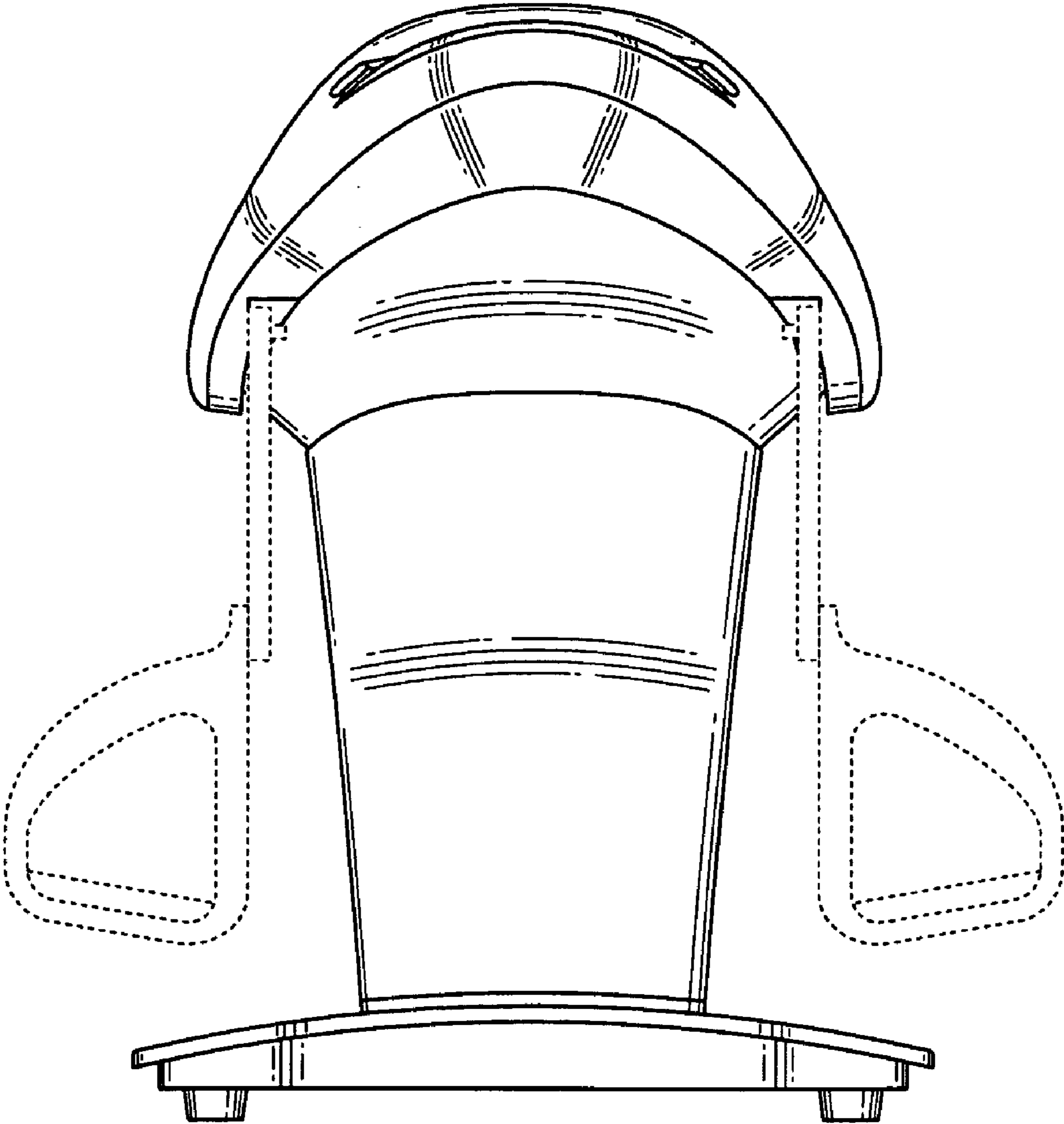
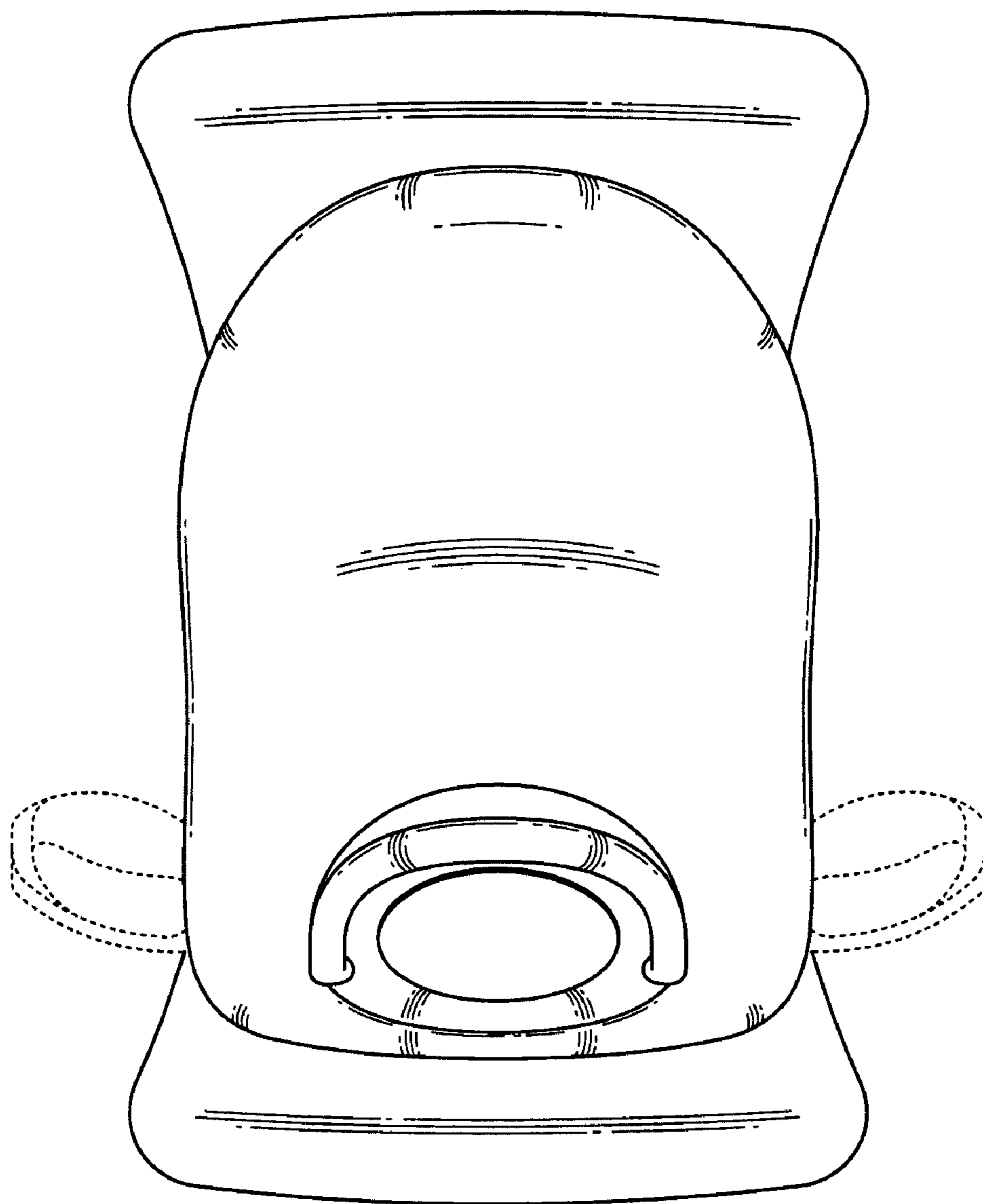


FIG. 4



**FIG. 5**

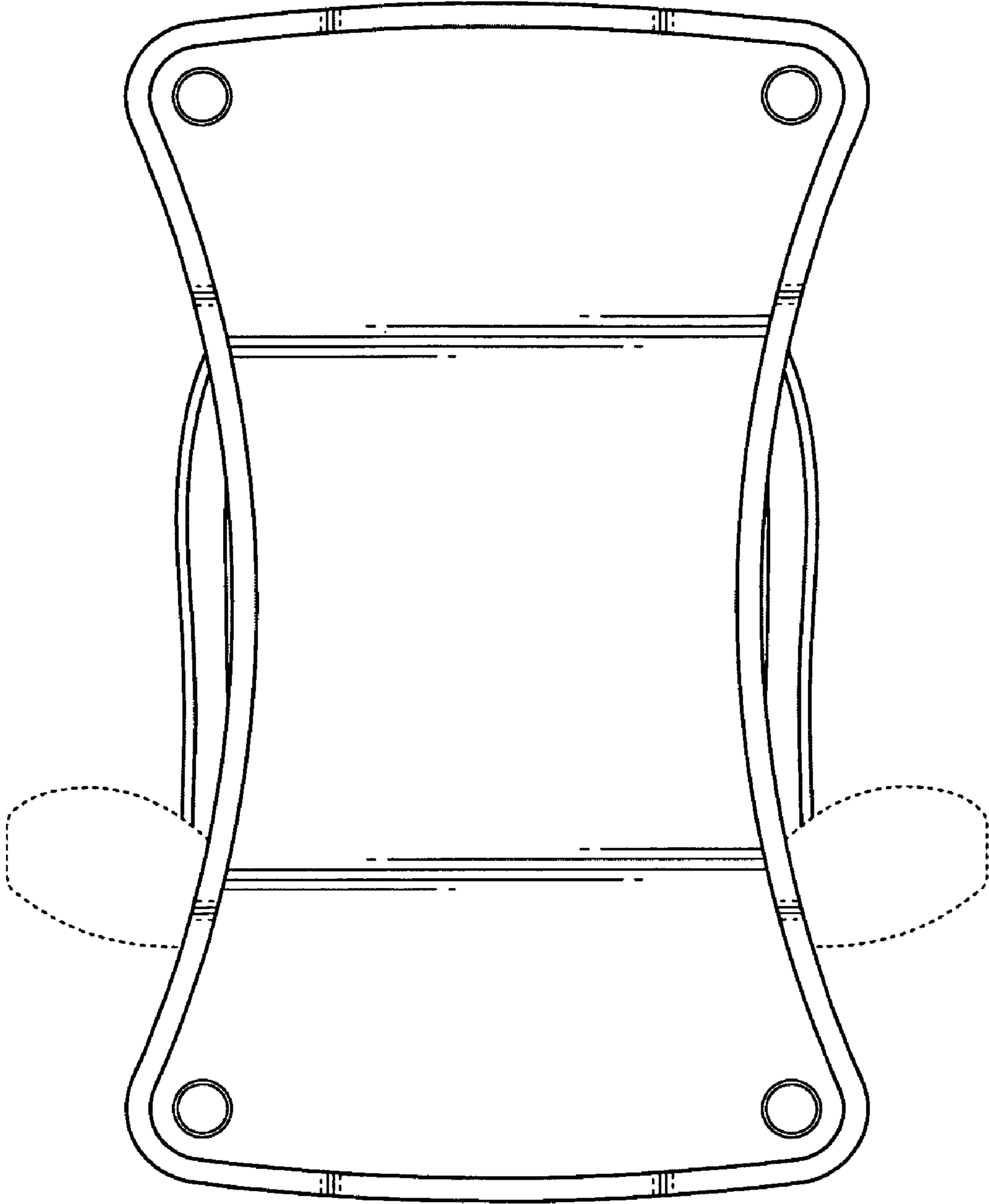


FIG. 6

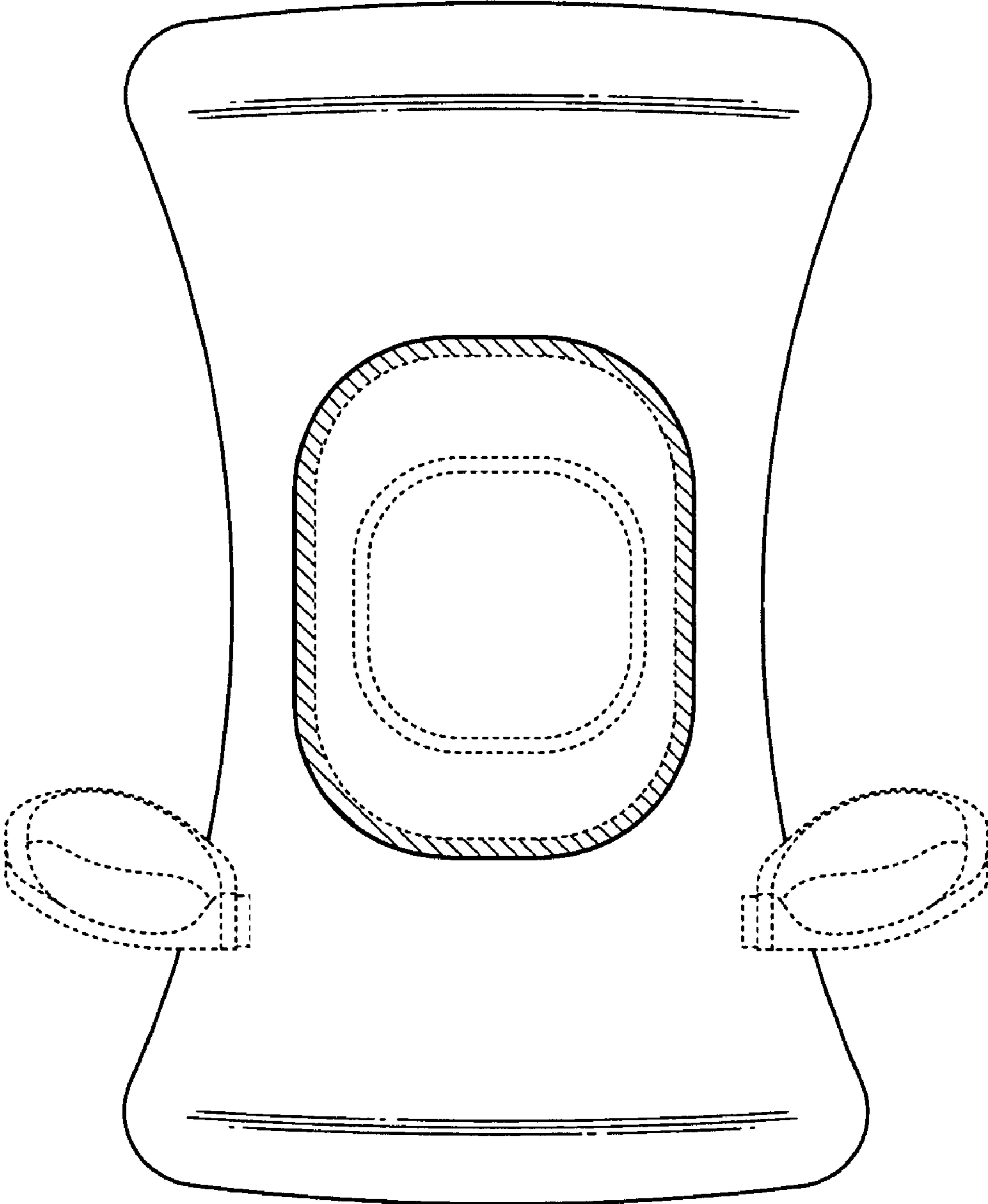


FIG. 7