



US00D606600S

(12) **United States Design Patent**
Bizzell

(10) **Patent No.:** **US D606,600 S**

(45) **Date of Patent:** **** Dec. 22, 2009**

(54) **EXERCISE ASSEMBLY**

(57) **CLAIM**

(75) Inventor: **Daniel Lee Bizzell**, Davidson, NC (US)

The ornamental design for an exercise assembly, as shown and described.

(73) Assignee: **Edison Nation, LLC**, Charlotte, NC (US)

(**) Term: **14 Years**

(21) Appl. No.: **29/318,674**

(22) Filed: **May 25, 2008**

(51) **LOC (9) Cl.** **21-02**

(52) **U.S. Cl.** **D21/688; D21/692**

(58) **Field of Classification Search** D21/662,
D21/671, 673, 686, 688, 692; D6/349; 482/51,
482/121, 129, 130, 133, 140, 146, 142
See application file for complete search history.

DESCRIPTION

Additionally, for purposes of facilitating understanding of the context and usage of the apparatus for which design protection is claimed herein, reference is hereby made to U.S. patent application No. 12/126,924, which published as patent application Publication No. U.S. 2008/0318743 on Dec. 25, 2008, each of which are incorporated herein by reference. All of the material from application 12/126,924 and corresponding Publication No. U.S. 2008/0318743 which is essential to the claimed design is included in this application. Any material in application 12/126,924 and corresponding Publication no. U.S. 2008/0318743 which is not present in this application forms no part of the claimed design.

(56) **References Cited**

U.S. PATENT DOCUMENTS

D313,521	S *	1/1991	Hassel et al.	D6/501
5,261,864	A *	11/1993	Fitzpatrick	482/52
5,294,180	A *	3/1994	Grimm	297/423.44
5,330,399	A *	7/1994	Fan	482/34
5,352,176	A *	10/1994	Huang	482/146
D353,419	S *	12/1994	Sprague	D21/686
5,540,642	A *	7/1996	Sprague	482/123
5,643,154	A *	7/1997	Awbrey et al.	482/111
5,755,651	A *	5/1998	Homyonfer et al.	482/146
D474,818	S *	5/2003	Yu	D21/662
7,250,021	B2 *	7/2007	Leight	482/116
2005/0049123	A1 *	3/2005	Dalebout et al.	482/142

* cited by examiner

Primary Examiner—Philip S Hyder

(74) *Attorney, Agent, or Firm*—Chad D. Tillman; James D. Wright; Tillman Wright, PLLC

FIG. 1 is a perspective view of an exercise assembly showing my new design, wherein said view is further representative of the opposite perspective view thereof;

FIG. 2 is an elevational view of one end of the exercise assembly of FIG. 1, wherein said view is further representative of the opposite end view thereof;

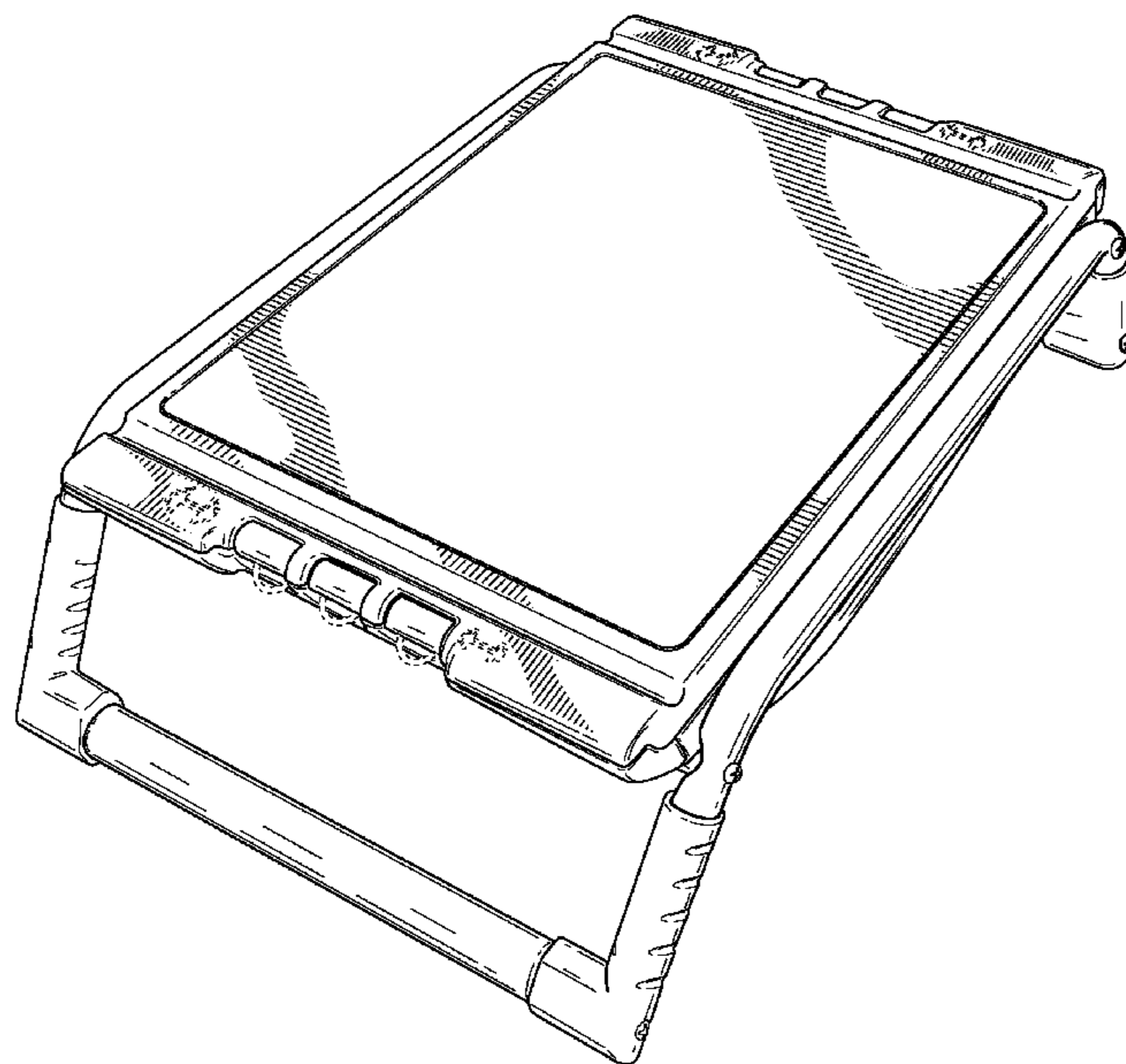
FIG. 3 is a top plan view of the exercise assembly of FIG. 1;

FIG. 4 is a bottom plan view of a front of the exercise assembly of FIG. 1;

FIG. 5 is a front elevational view of the exercise assembly of FIG. 1, wherein said view is further representative of the rear elevational view thereof; and,

FIG. 6 is a perspective environmental view of the exercise assembly of FIG. 1 showing the unclaimed handles and resistance bands attached, wherein said view is further representative of the opposite perspective view thereof.

1 Claim, 6 Drawing Sheets



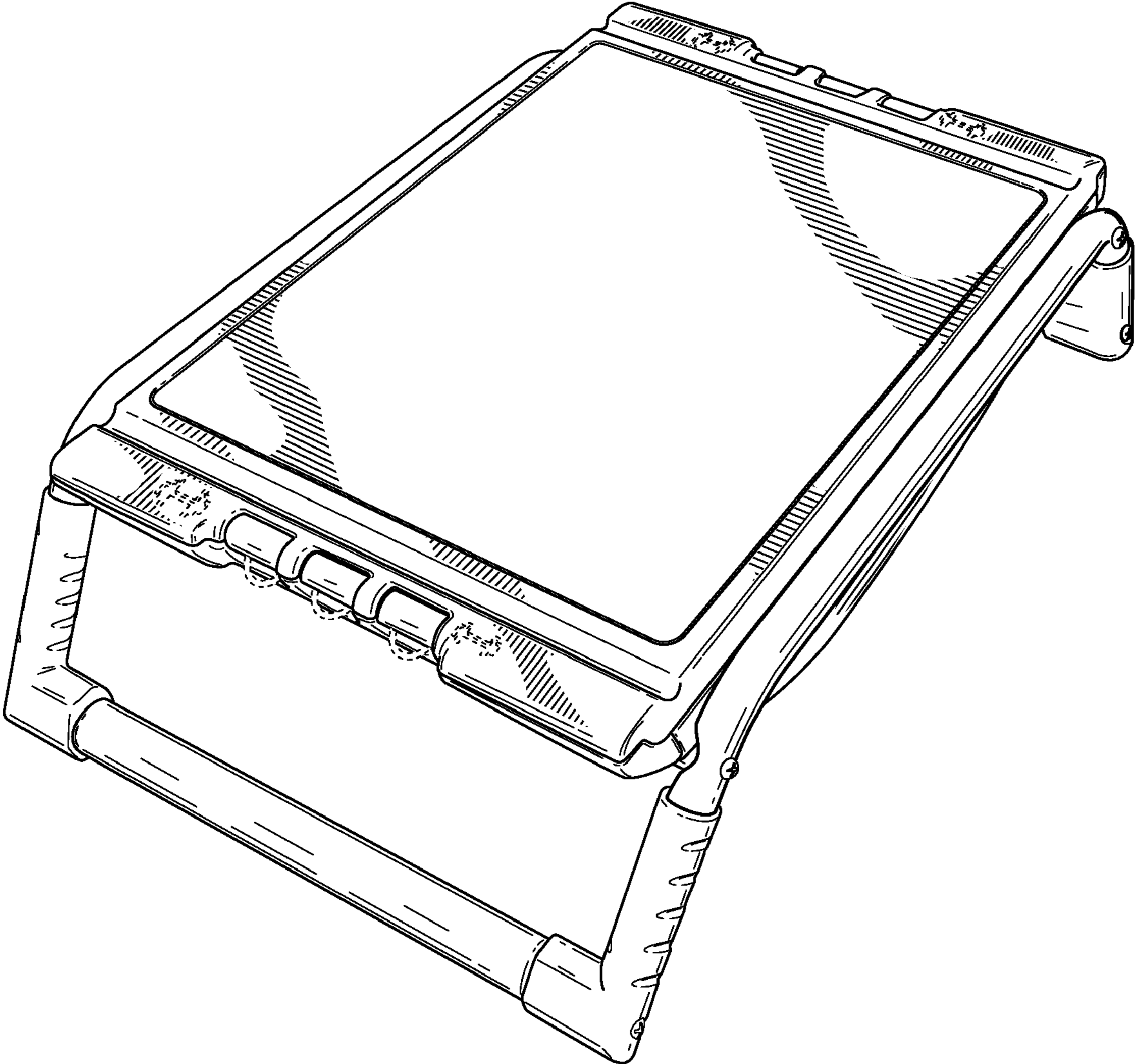


FIG. 1

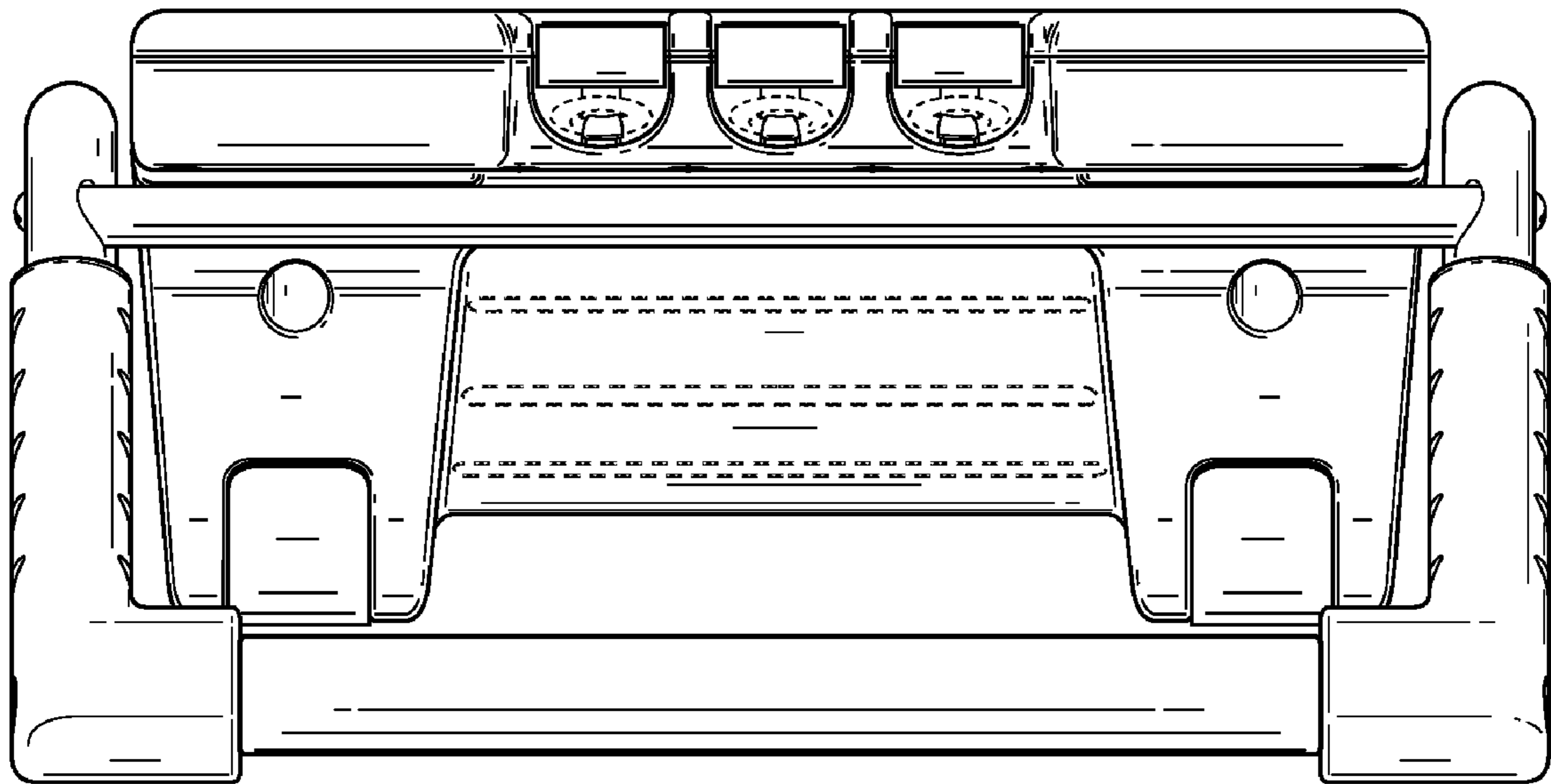


FIG. 2

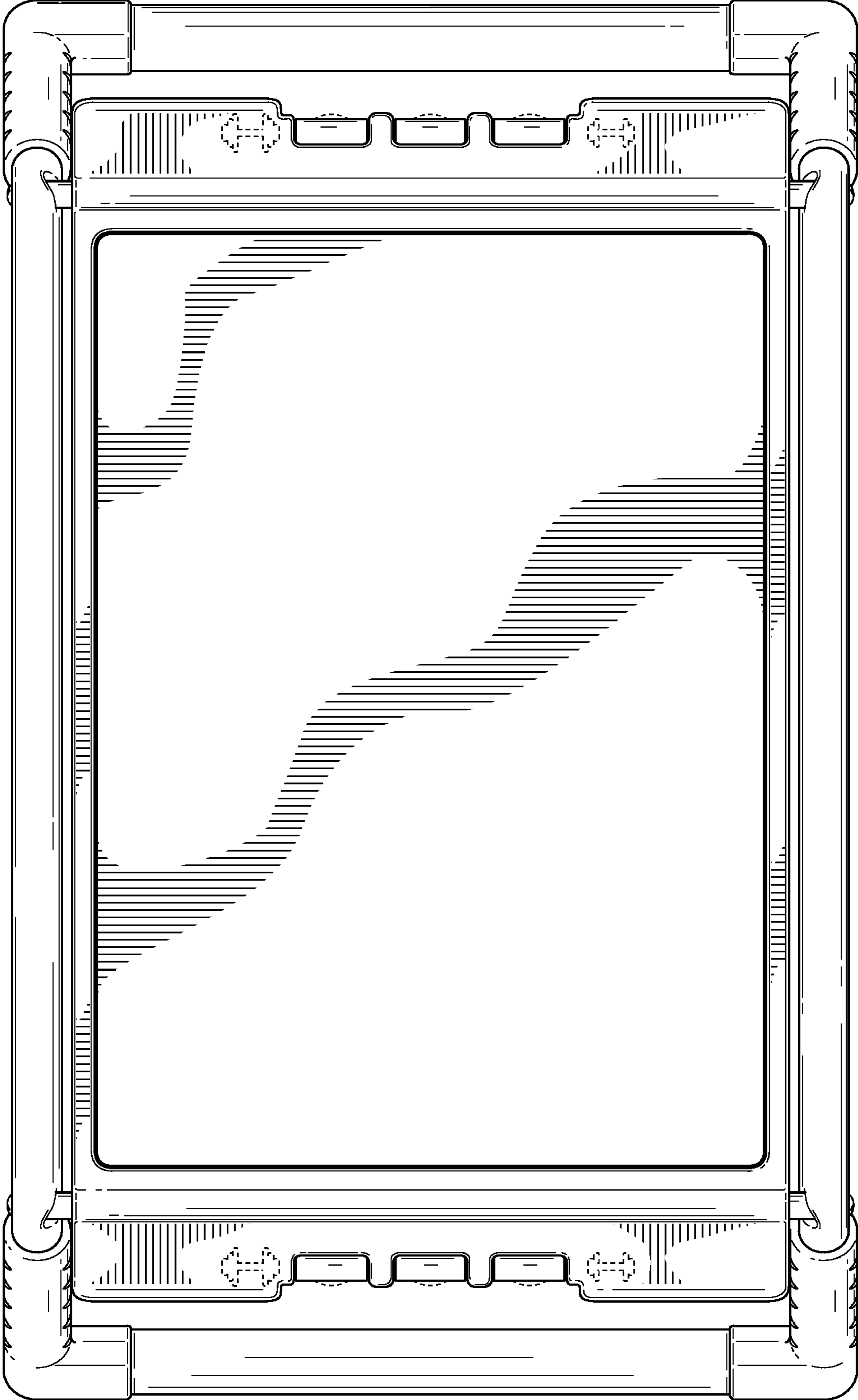


FIG. 3

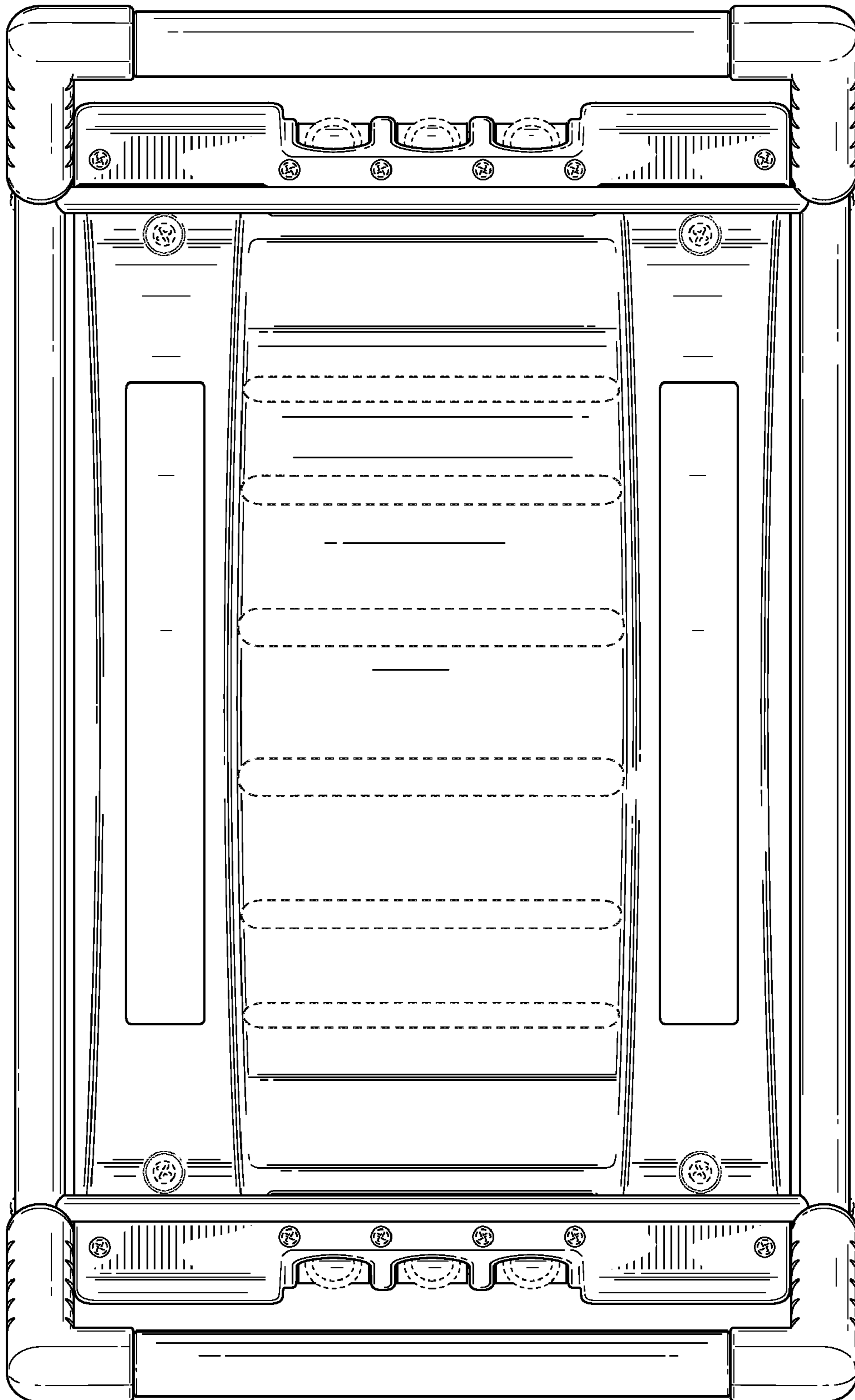


FIG. 4

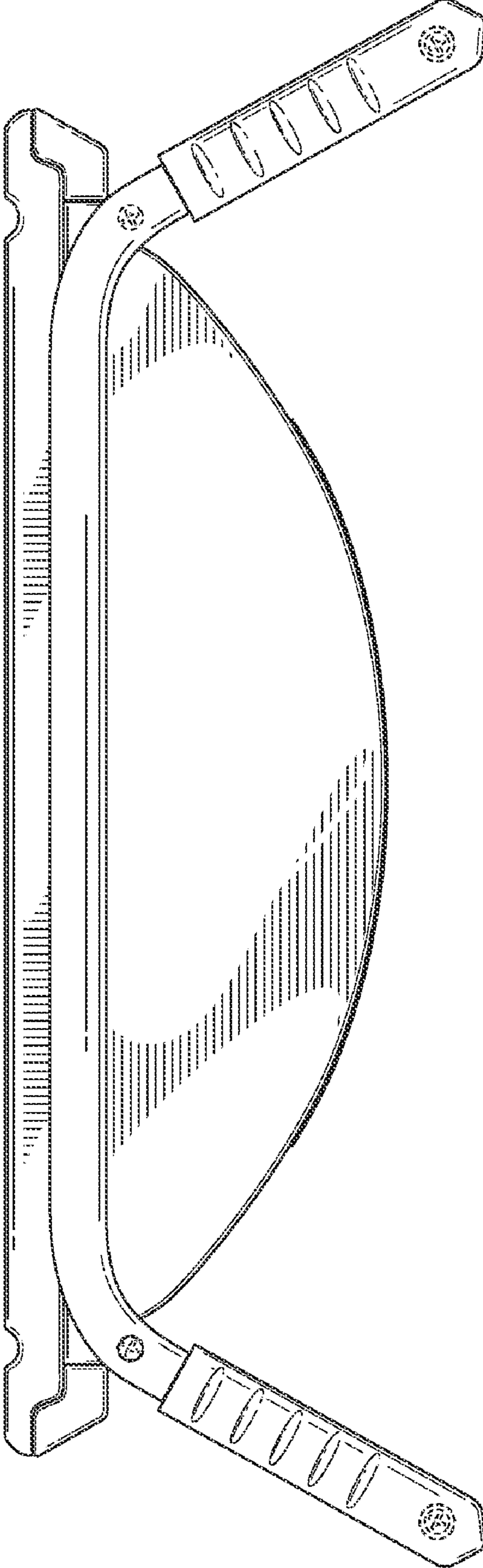


Fig. 5

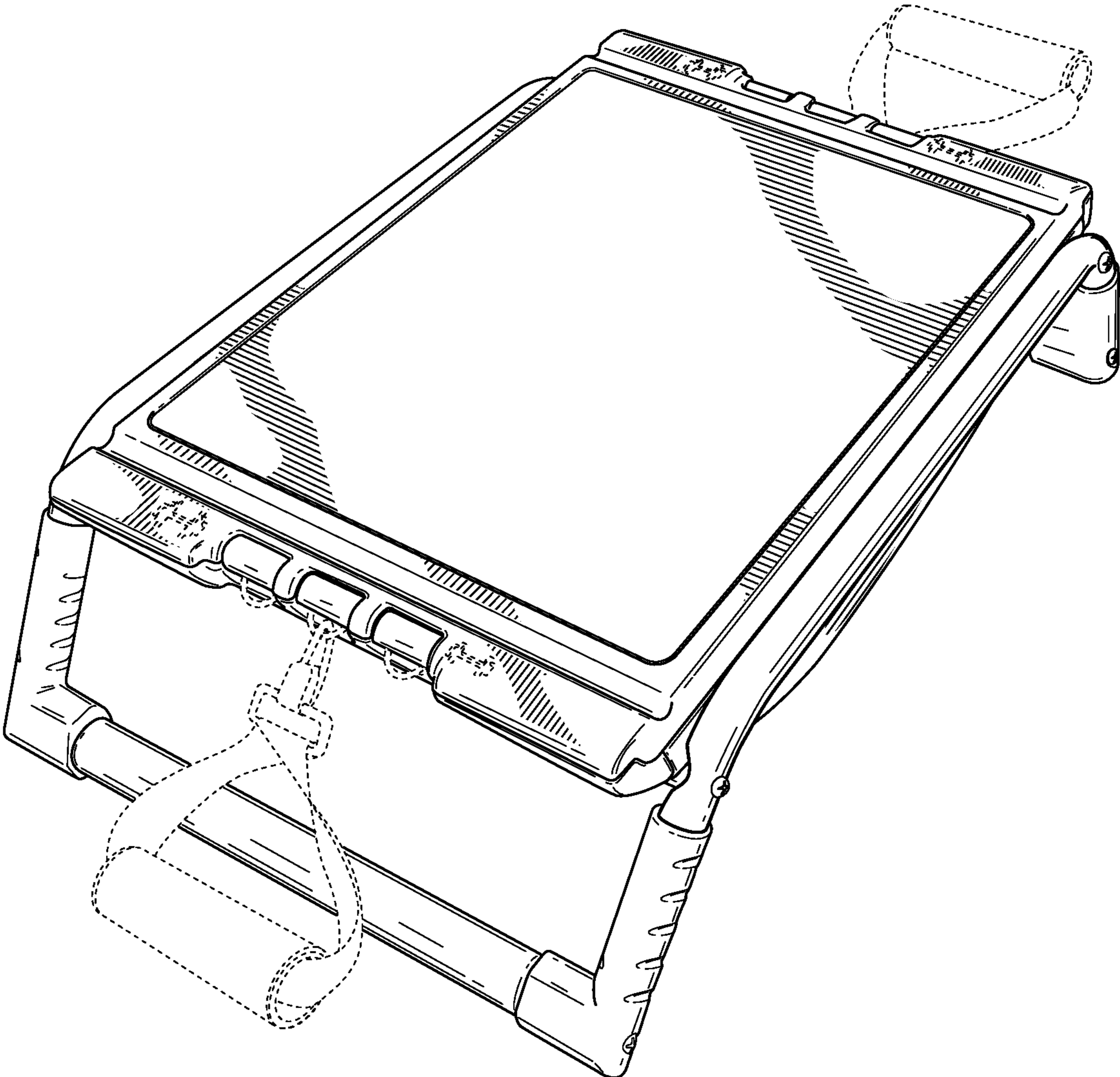


FIG. 6