

US00D606599S

(12) **United States Design Patent**  
**Murray et al.**

(10) **Patent No.:** **US D606,599 S**  
(45) **Date of Patent:** **\*\* Dec. 22, 2009**

(54) **EXERCISER**

(75) Inventors: **Brian Murray**, Taichung County (TW);  
**Kuang-Shiung Kao**, Taichung County  
(TW)

(73) Assignee: **Michael Lin**, Taipei (TW)

(\*\*) Term: **14 Years**

(21) Appl. No.: **29/314,622**

(22) Filed: **Apr. 15, 2009**

(51) **LOC (9) Cl.** ..... **21-02**

(52) **U.S. Cl.** ..... **D21/668**

(58) **Field of Classification Search** ..... D21/662,  
D21/663, 665, 668, 670; 482/51, 52, 54,  
482/57, 70

See application file for complete search history.

(56) **References Cited**

**U.S. PATENT DOCUMENTS**

5,746,683	A *	5/1998	Lee	.....	482/57
5,782,722	A *	7/1998	Sands et al.	.....	482/52
D401,645	S *	11/1998	Kuo	.....	D21/668
D405,852	S *	2/1999	McBride	.....	D21/670
6,390,954	B1 *	5/2002	Lee	.....	482/52
D465,000	S *	10/2002	Arnold et al.	.....	D21/668

6,652,423	B1 *	11/2003	Chen	.....	482/52
7,223,209	B2 *	5/2007	Lee	.....	482/52
D563,489	S *	3/2008	Giannelli et al.	.....	D21/668
D565,129	S *	3/2008	Chang et al.	.....	D21/668
D567,310	S *	4/2008	Chen et al.	.....	D21/668
7,377,879	B1 *	5/2008	Chen	.....	482/51
2006/0172865	A1 *	8/2006	Dey et al.	.....	482/52

\* cited by examiner

*Primary Examiner*—Philip S Hyder

(74) *Attorney, Agent, or Firm*—Charles E. Baxley

(57) **CLAIM**

The ornamental design for an exerciser, as shown and described.

**DESCRIPTION**

FIG. 1 is a perspective view of an exerciser showing our new design;

FIG. 2 is a front elevational view thereof;

FIG. 3 is a rear elevational view thereof;

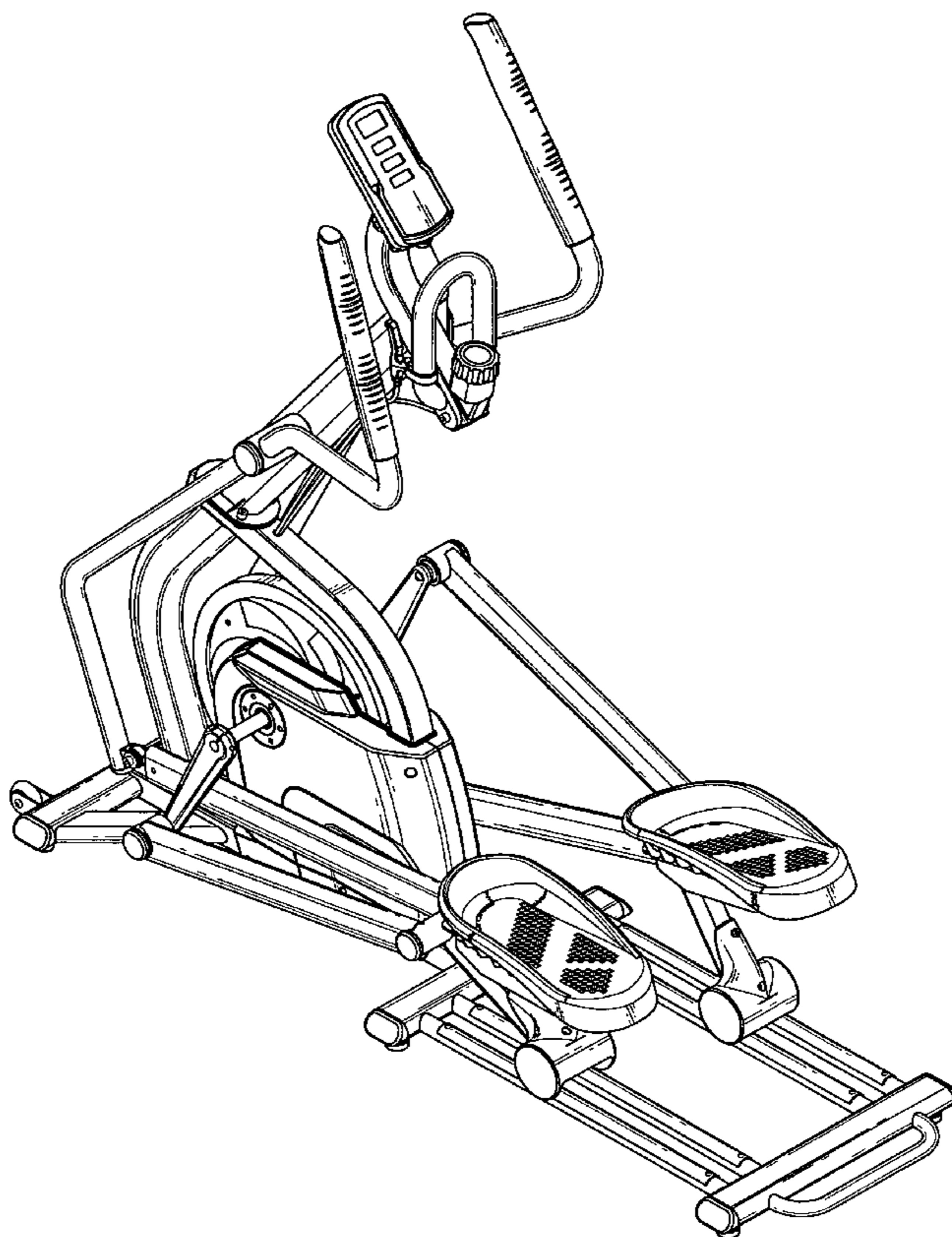
FIG. 4 is a left side view thereof;

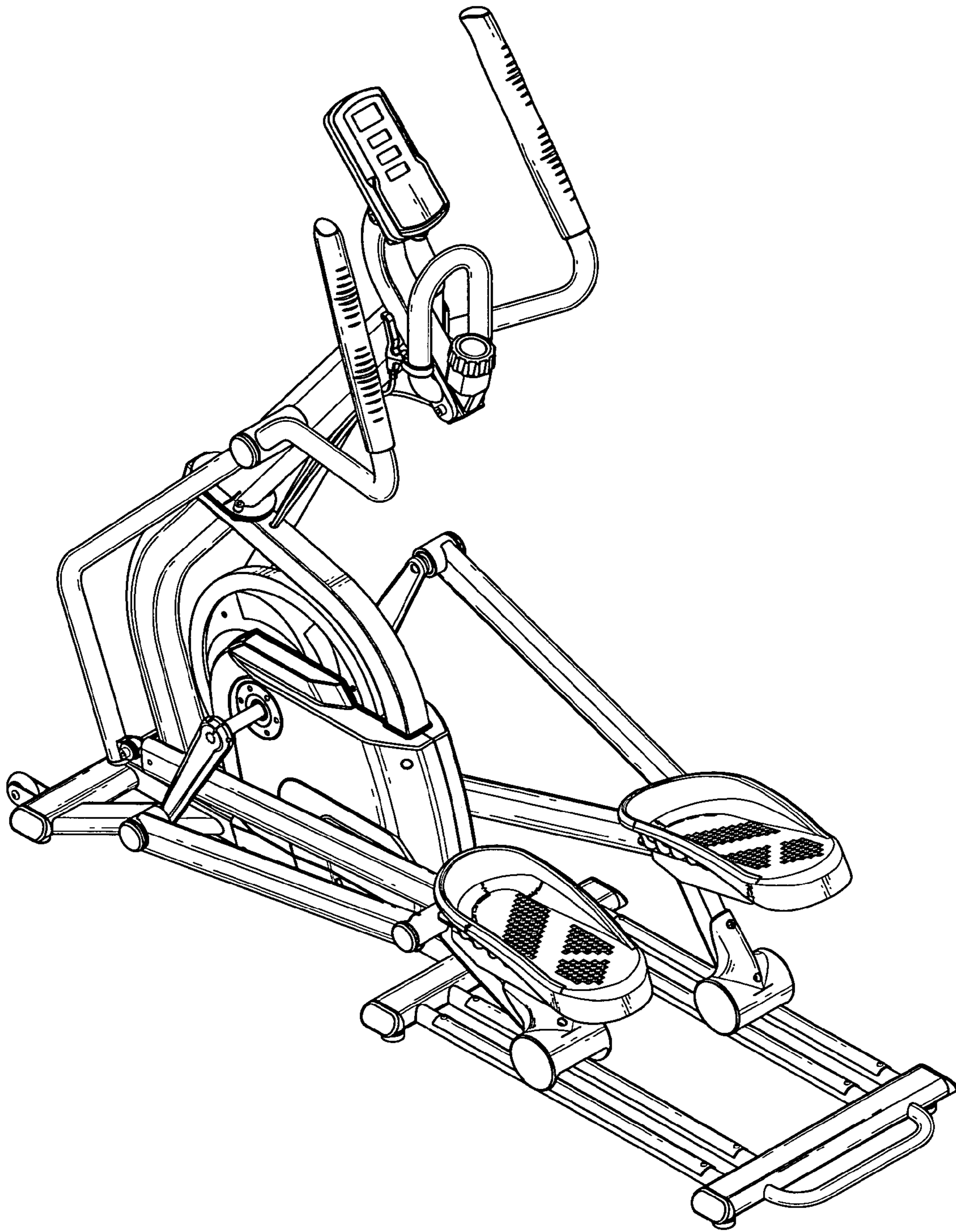
FIG. 5 is a right side view of;

FIG. 6 is a top plan view thereof; and,

FIG. 7 is a bottom plan view thereof.

**1 Claim, 6 Drawing Sheets**





F I G . 1

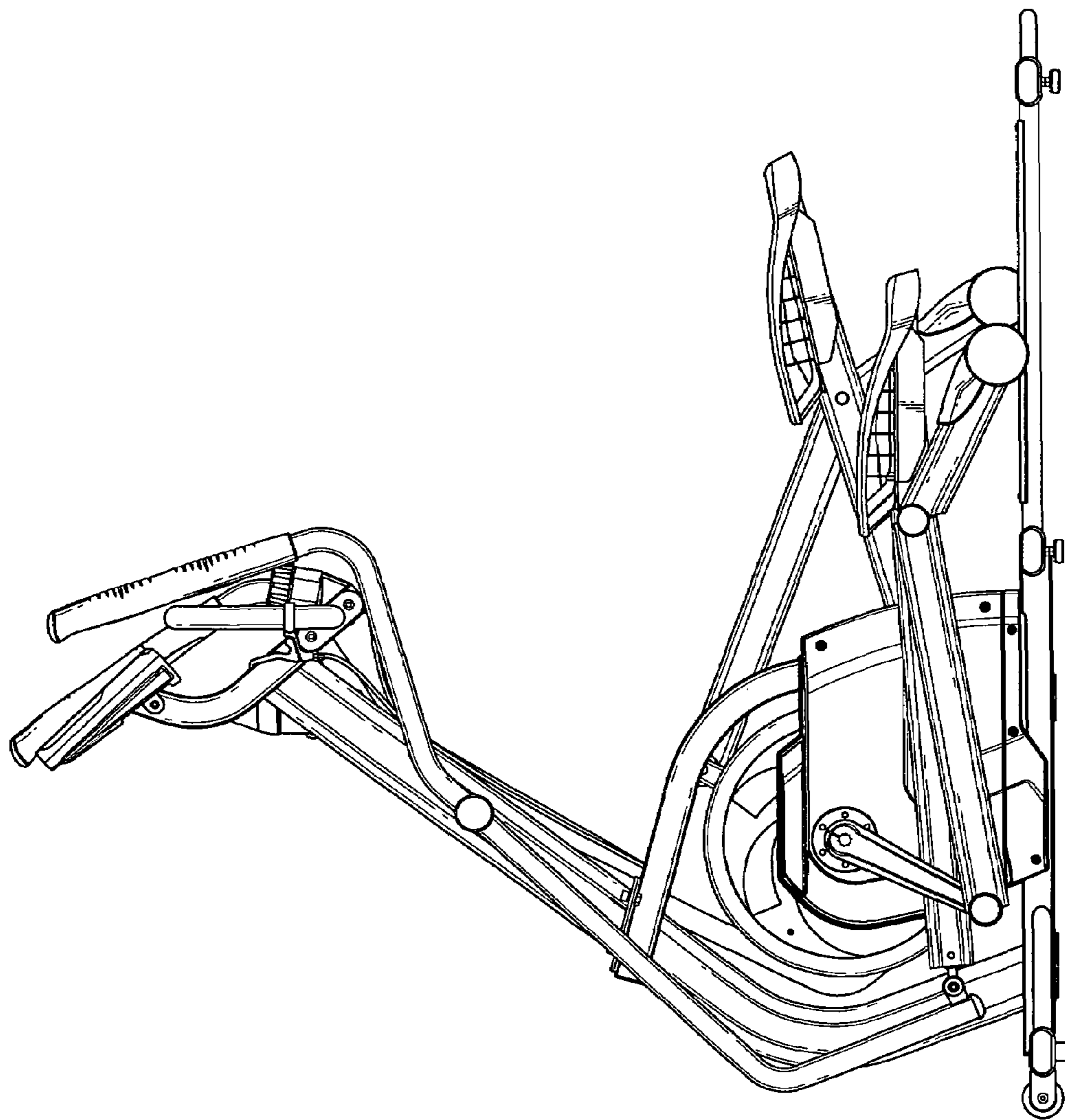


FIG. 2



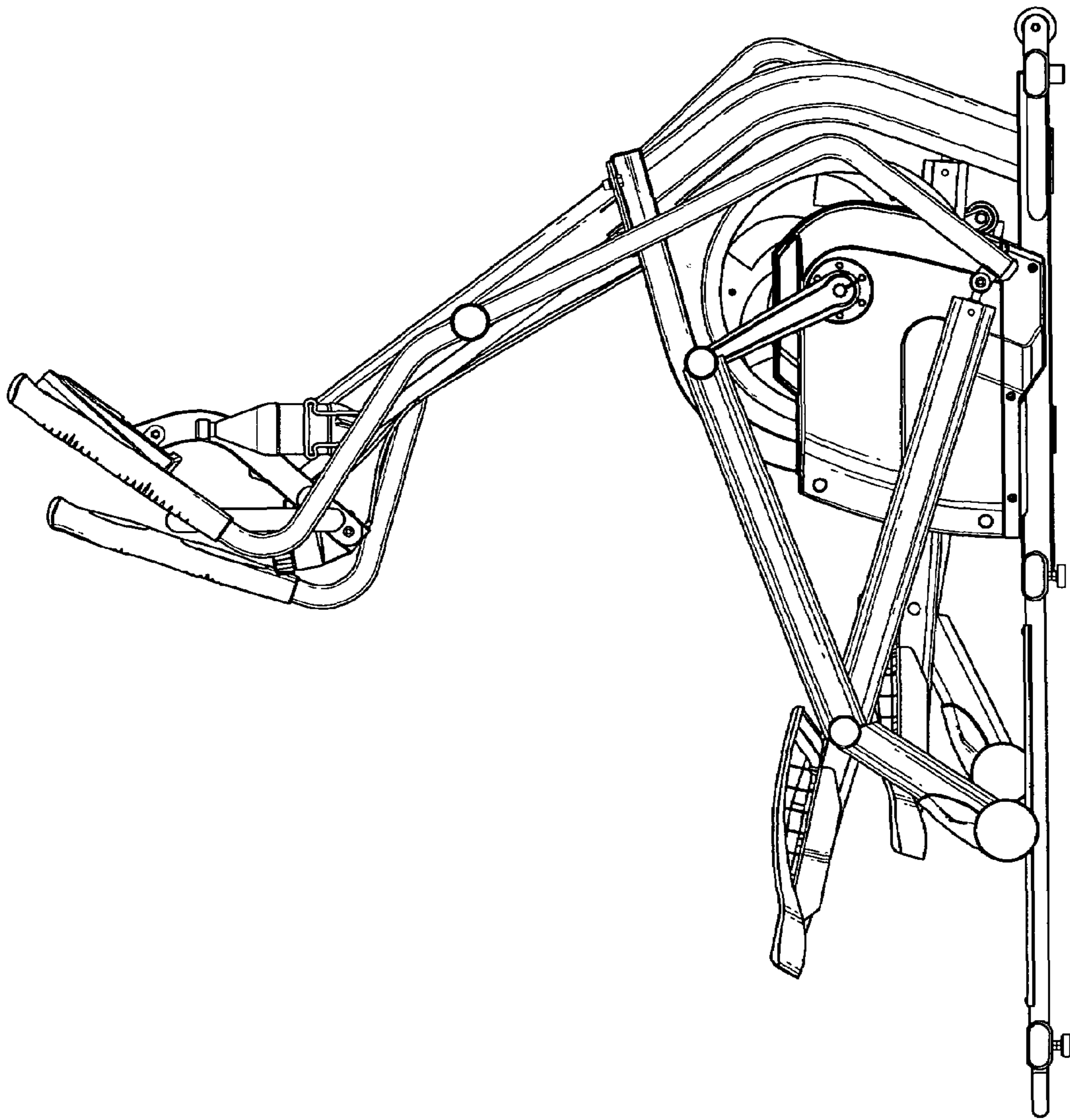


FIG. 3

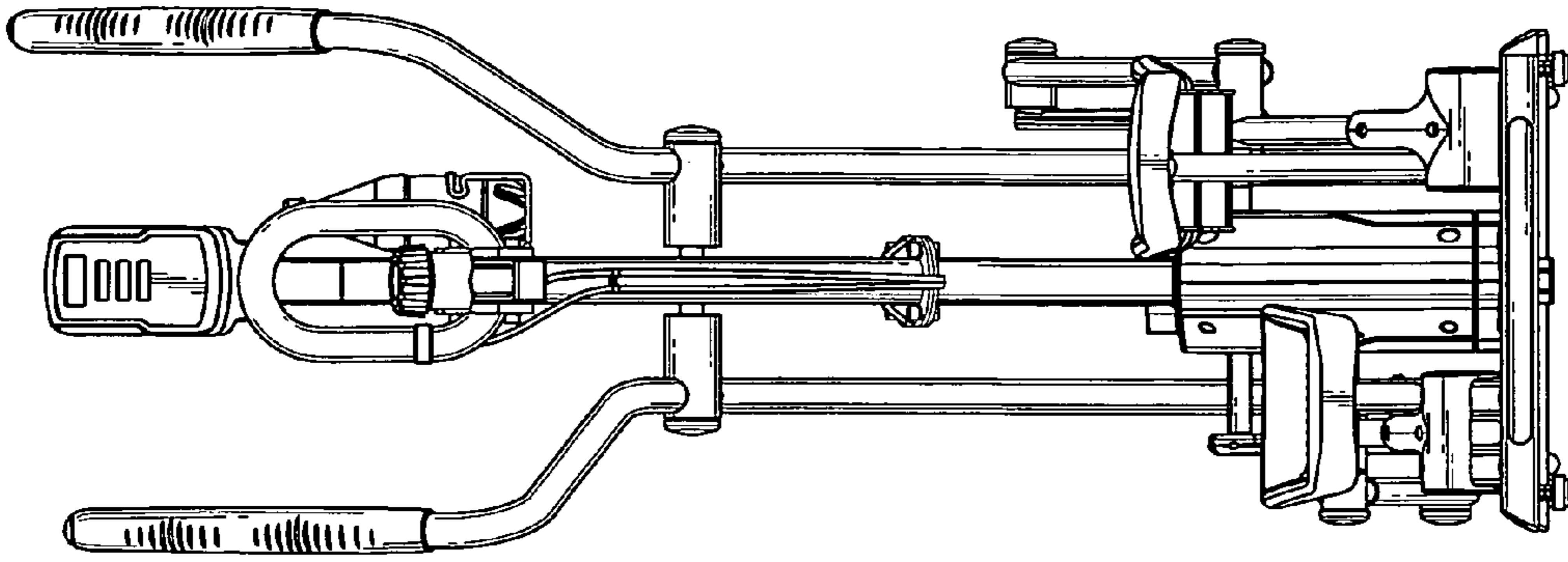


FIG. 5

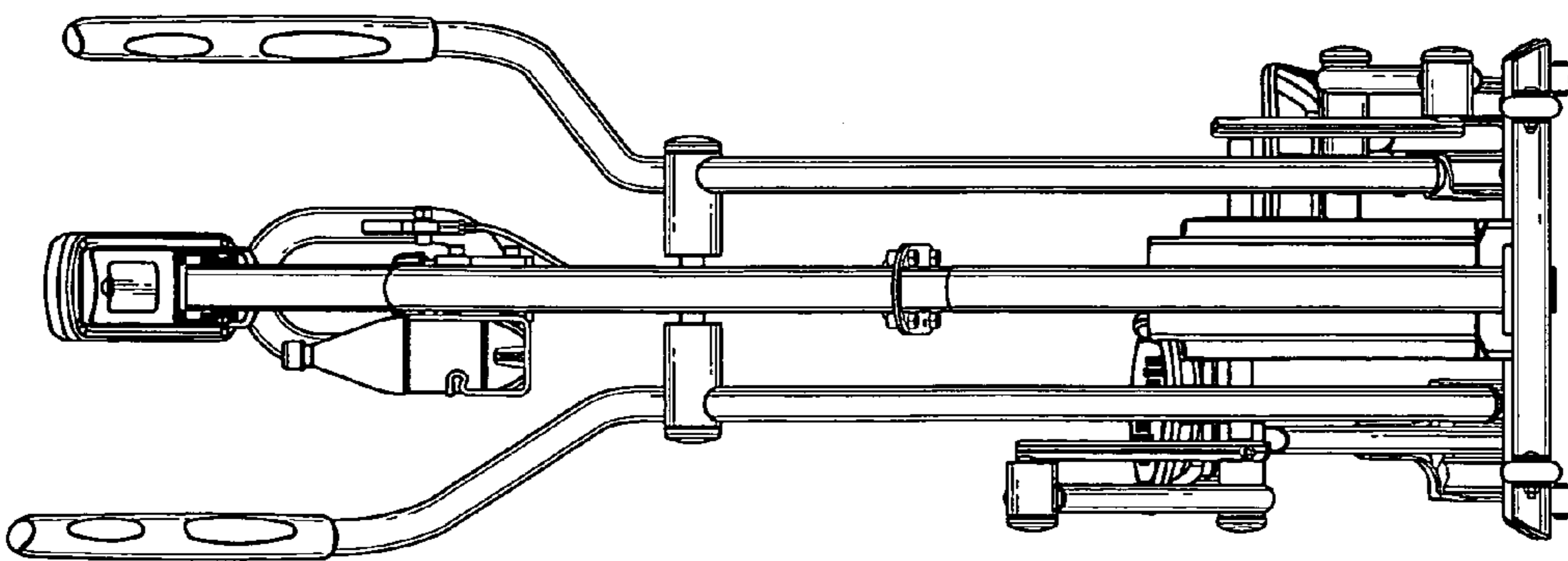


FIG. 4

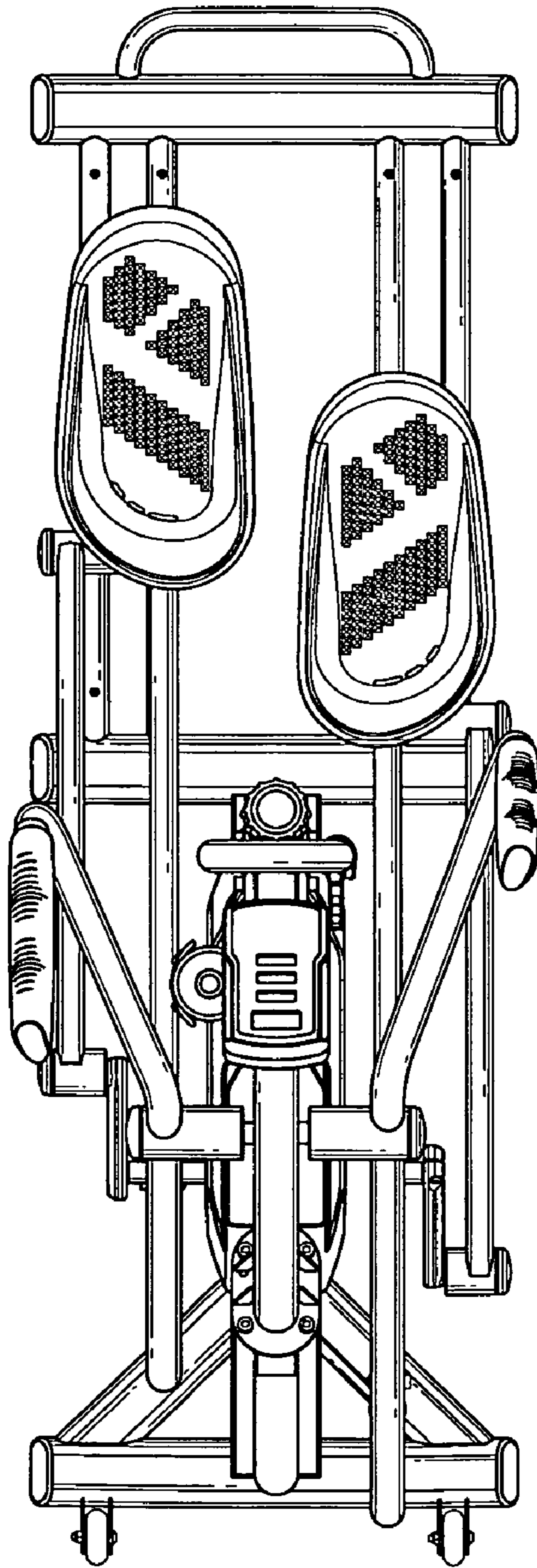


FIG. 6

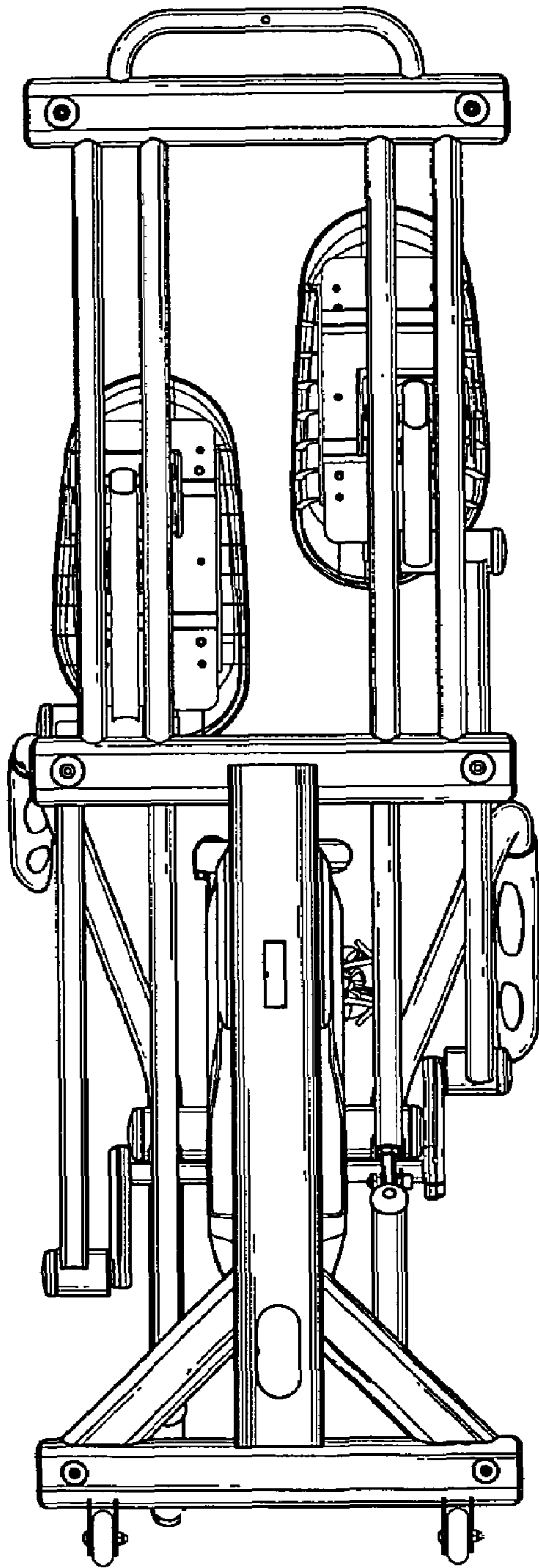


FIG. 7