



US00D606597S

(12) **United States Design Patent**  
**Sohn et al.**

(10) **Patent No.:** **US D606,597 S**

(45) **Date of Patent:** **\*\* Dec. 22, 2009**

(54) **BATHROOM PLAY STATION**

(76) Inventors: **Adam Sohn**, 410 Kerstein Dr.,  
Gaithersburg, MD (US) 20878; **Anat**  
**Sohn**, 410 Kerstein Dr., Gaithersburg,  
MD (US) 20878

(\*\*) Term: **14 Years**

(21) Appl. No.: **29/332,607**

(22) Filed: **Feb. 20, 2009**

(51) **LOC (9) Cl.** ..... **21-01**

(52) **U.S. Cl.** ..... **D21/519; D21/524**

(58) **Field of Classification Search** ..... D21/483,  
D21/506, 519, 521, 522, 524, 525, 526, 529;  
D24/234; D34/14, 21, 19; D6/441, 444-448;  
D23/271, 286, 308; 446/175, 176, 297, 429,  
446/481, 479, 482; 4/630

See application file for complete search history.

(56) **References Cited**

**U.S. PATENT DOCUMENTS**

D25,731 S *	6/1896	Fitz	.....	D23/286
1,833,726 A	11/1931	Stoddard et al.		
1,930,173 A	10/1933	Lauth et al.		
D152,185 S	12/1948	Barr		
D156,509 S	12/1949	Hollowell		
D168,317 S *	12/1952	Rothenstein	.....	D23/271
D211,344 S *	6/1968	Khan	.....	D23/286
D226,606 S *	4/1973	Ament	.....	D23/271
D237,728 S *	11/1975	Takahashi	.....	D21/521
4,057,244 A	11/1977	Gaspar		
D251,732 S *	5/1979	Kann	.....	D23/271
D258,162 S	2/1981	Orenstein et al.		
D260,540 S *	9/1981	Nottingham et al.	.....	D21/522
D261,159 S	10/1981	Rapaport		
D262,134 S *	12/1981	Perkins	.....	D23/286
D276,741 S *	12/1984	Appel et al.	.....	D21/522
4,515,359 A	5/1985	Mariol		
D287,748 S *	1/1987	Landan et al.	.....	D23/286
D293,699 S	1/1988	Thornell		
D294,608 S	3/1988	Benedetto et al.		
4,840,000 A *	6/1989	Grines	.....	52/36.1

D316,283 S	4/1991	Zaruba et al.		
D321,219 S *	10/1991	Monneret	.....	D21/522
D331,100 S *	11/1992	Jacobsen et al.	.....	D23/271
5,182,822 A	2/1993	Cyr et al.		
5,215,491 A	6/1993	Willet et al.		
D342,295 S	12/1993	Houry et al.		
D342,765 S	12/1993	Monneret		
D345,592 S	3/1994	Houry et al.		
D358,852 S *	5/1995	Monneret	.....	D21/522
D366,291 S	1/1996	Yang		
5,706,613 A	1/1998	Drake, Jr. et al.		
D396,072 S	7/1998	Katzman et al.		
D400,938 S	11/1998	Blumenthal		
5,890,338 A	4/1999	Rodriguez-Ferré		

(Continued)

*Primary Examiner*—Holly Baynham

*Assistant Examiner*—Cynthia M Chin

(74) *Attorney, Agent, or Firm*—Rothwell, Figg, Ernst & Manbeck, P.C.

(57) **CLAIM**

The ornamental design for a bathroom play station, as shown and described.

**DESCRIPTION**

FIG. 1 is a right front perspective view of a bathroom play station showing our new design.

FIG. 2 is a left front perspective view of the embodiment of FIG. 1.

FIG. 3 is a front elevational view of the embodiment of FIG. 1.

FIG. 4 is a rear elevational view of the embodiment of FIG. 1.

FIG. 5 is a left side elevational view of the embodiment of FIG. 1.

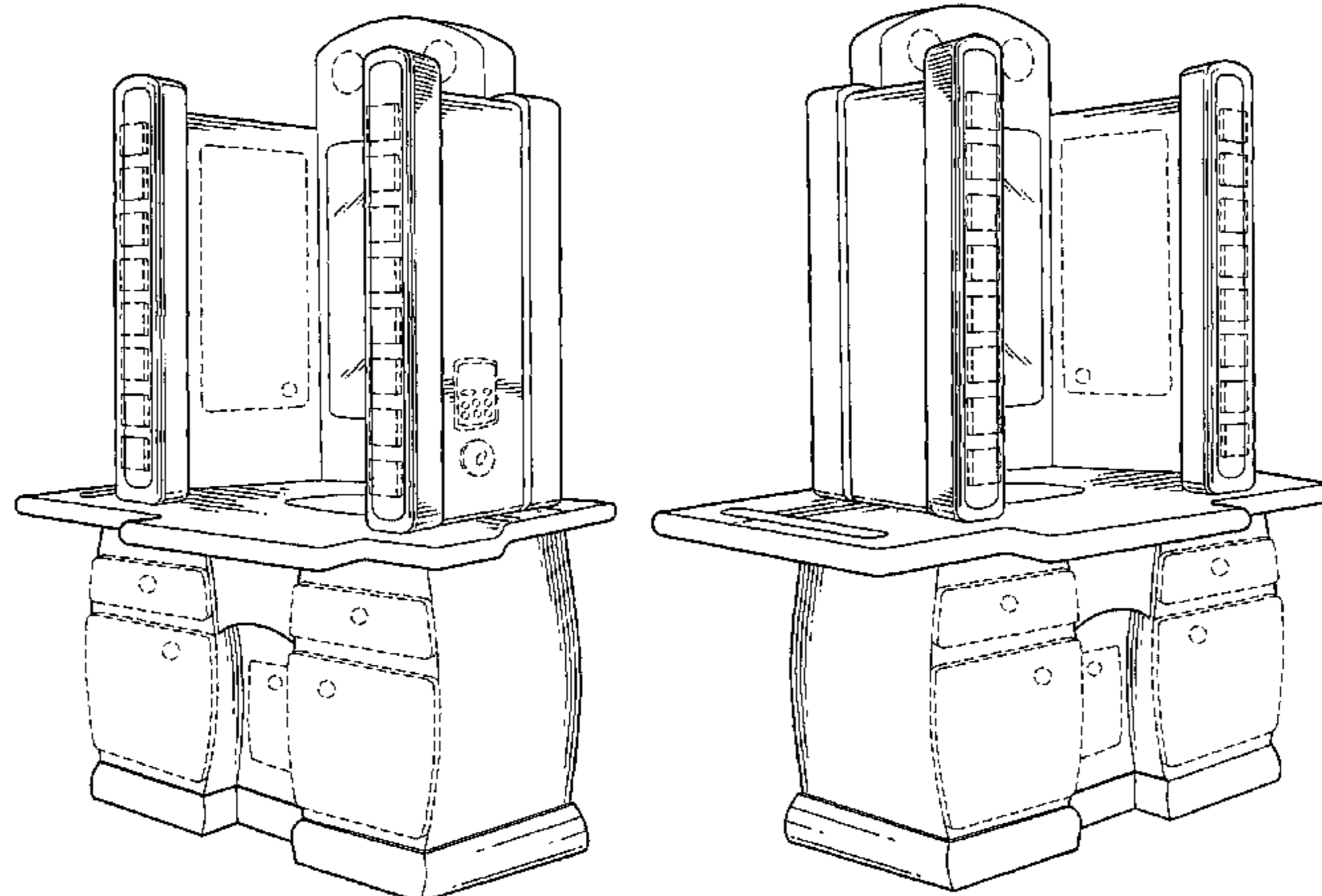
FIG. 6 is a right side elevational view of the embodiment of FIG. 1.

FIG. 7 is a top plan view of the embodiment of FIG. 1; and,

FIG. 8 is a bottom plan view of the embodiment of FIG. 1.

The broken lines represent portions of the design that form no part of the claim.

**1 Claim, 8 Drawing Sheets**



# US D606,597 S

Page 2

---

## U.S. PATENT DOCUMENTS

D410,258 S *	5/1999	Lerch .....	D21/433	6,719,603 B2	4/2004	Chan	
D413,151 S	8/1999	Breuil		D489,774 S	5/2004	Hradisky	
D430,276 S *	8/2000	Swensson et al. ....	D23/286	D490,124 S	5/2004	Hradisky	
6,212,707 B1	4/2001	Thompson et al.		6,964,595 B2	11/2005	Libretti	
6,227,931 B1	5/2001	Shackelford		D531,680 S	11/2006	Lo	
6,364,440 B2	4/2002	Donahue		D538,063 S	3/2007	Baade	
6,439,957 B1	8/2002	MacCarthy		7,355,131 B2	4/2008	Pathmanathan et al.	
6,461,164 B1	10/2002	Ramelli		D589,600 S *	3/2009	Tsay et al. ....	D23/286
6,641,455 B2	11/2003	Chan		2006/0029921 A1	2/2006	Walther et al.	
6,692,092 B1	2/2004	Evans					

\* cited by examiner

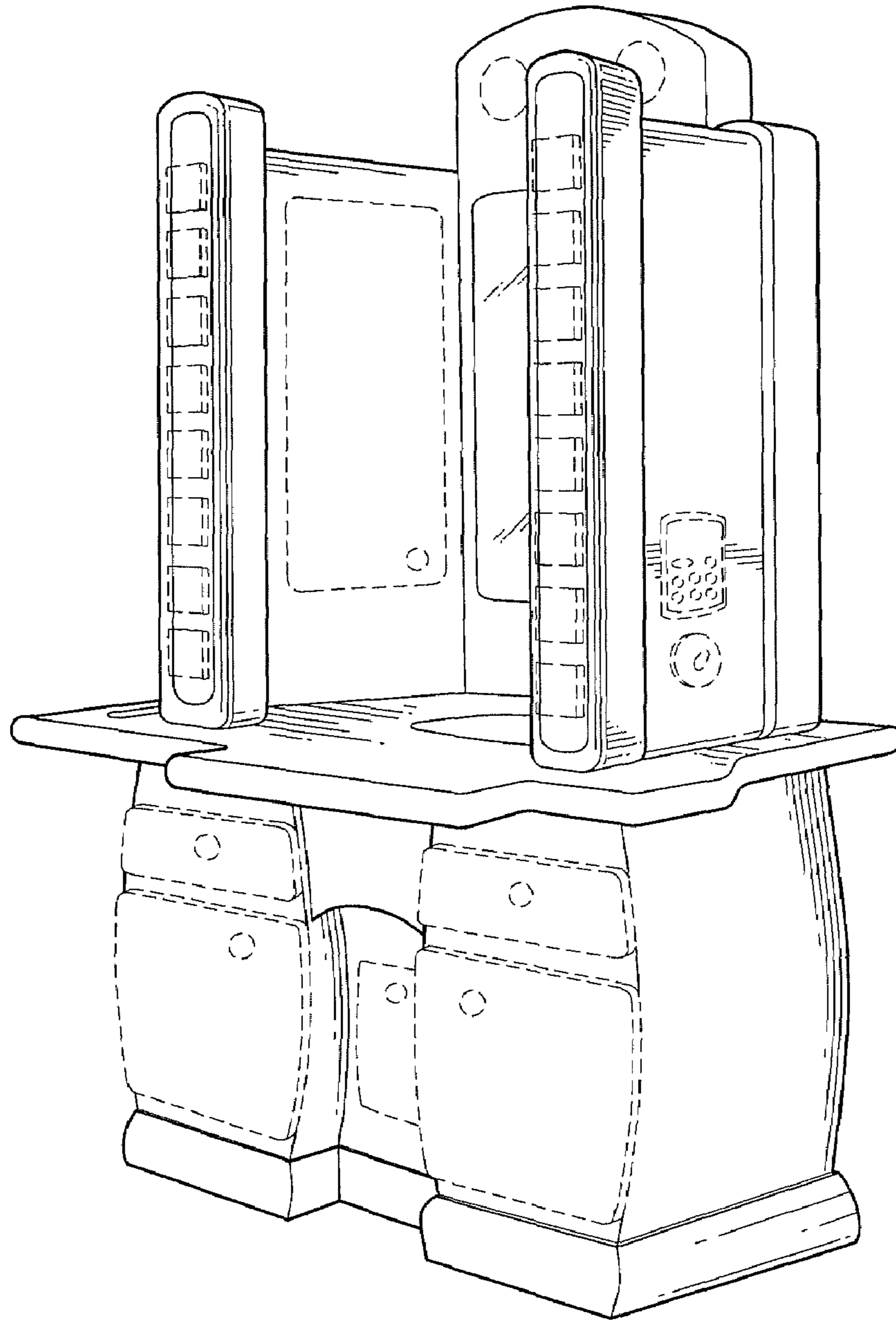


FIG. 1

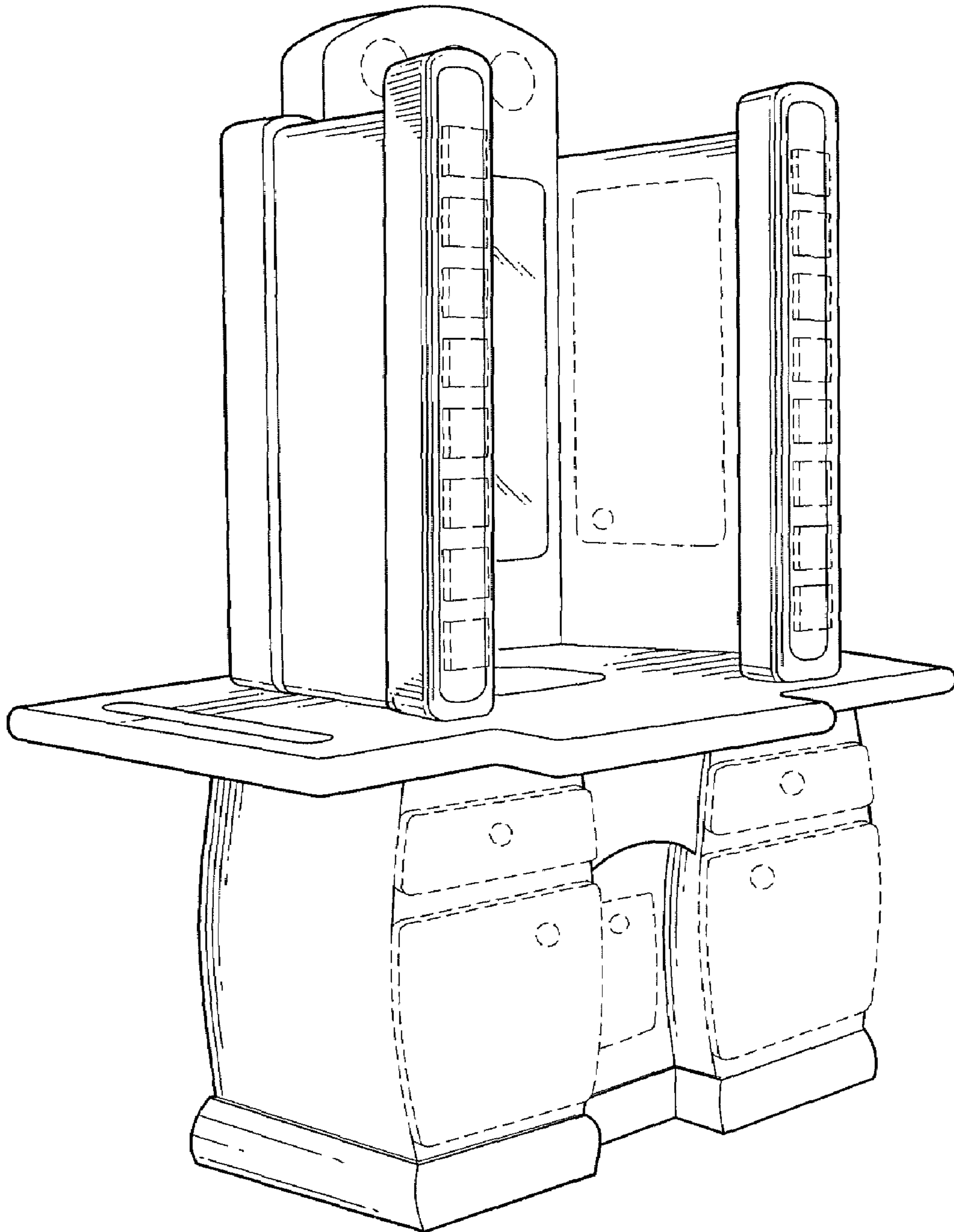


FIG. 2

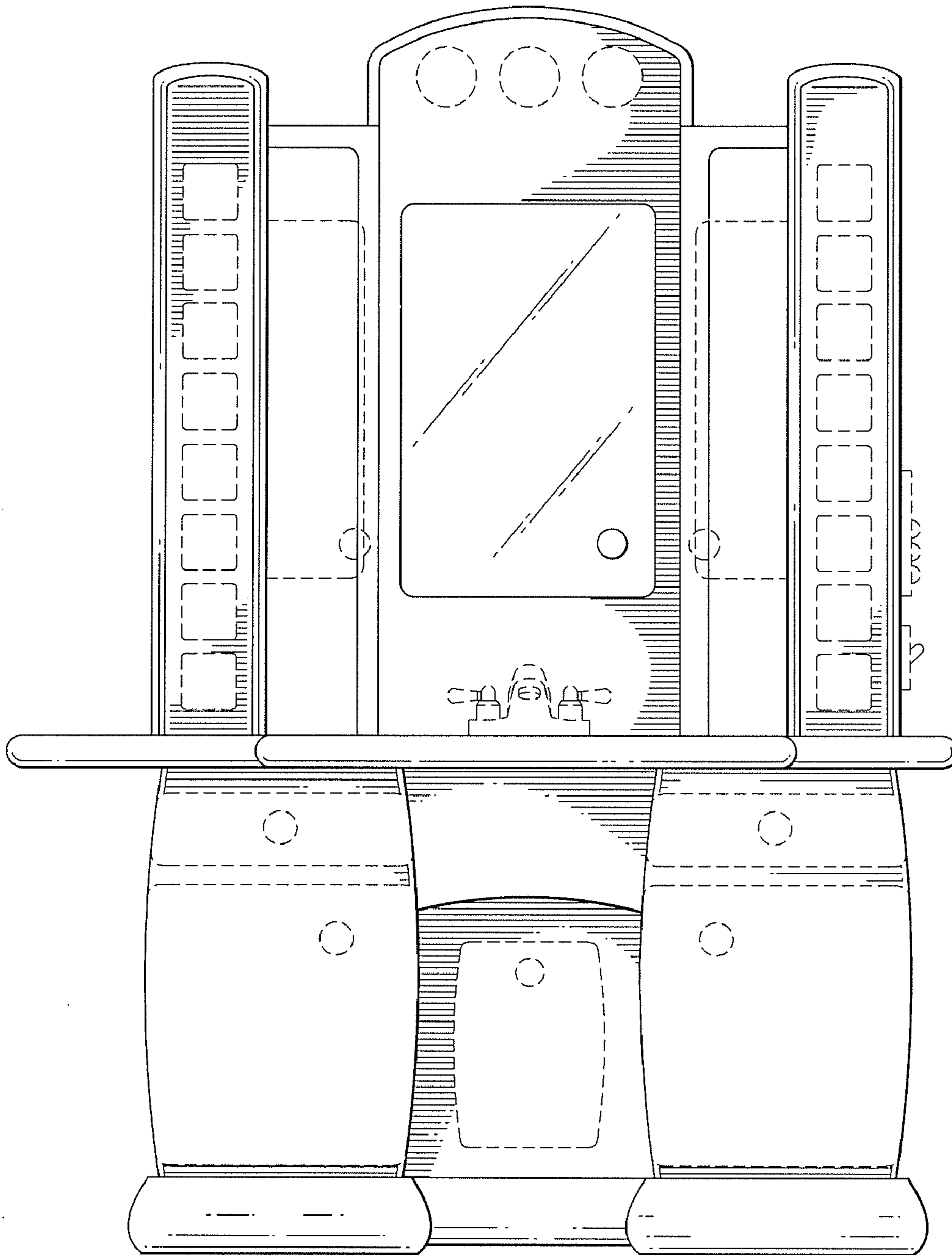


FIG. 3

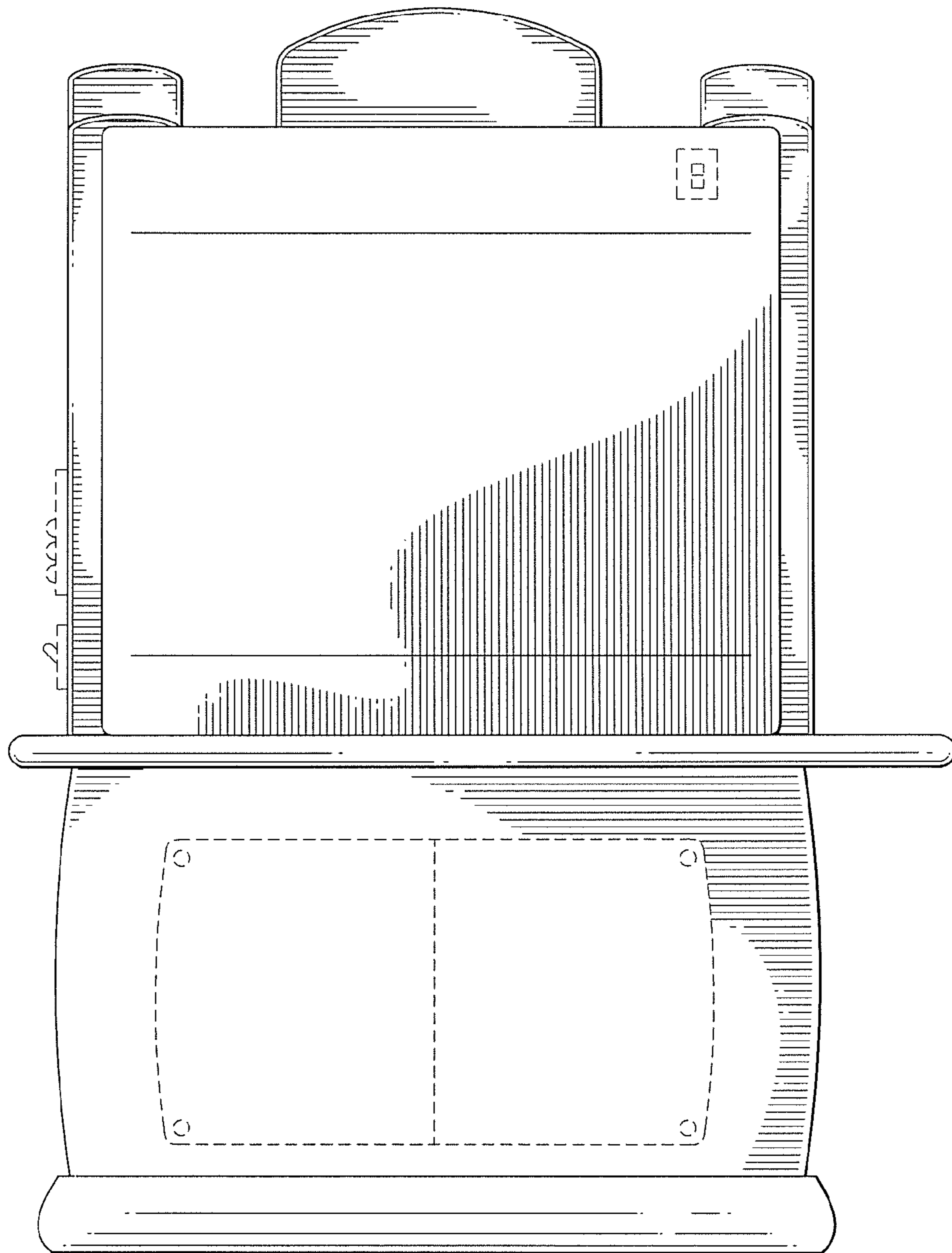


FIG.4

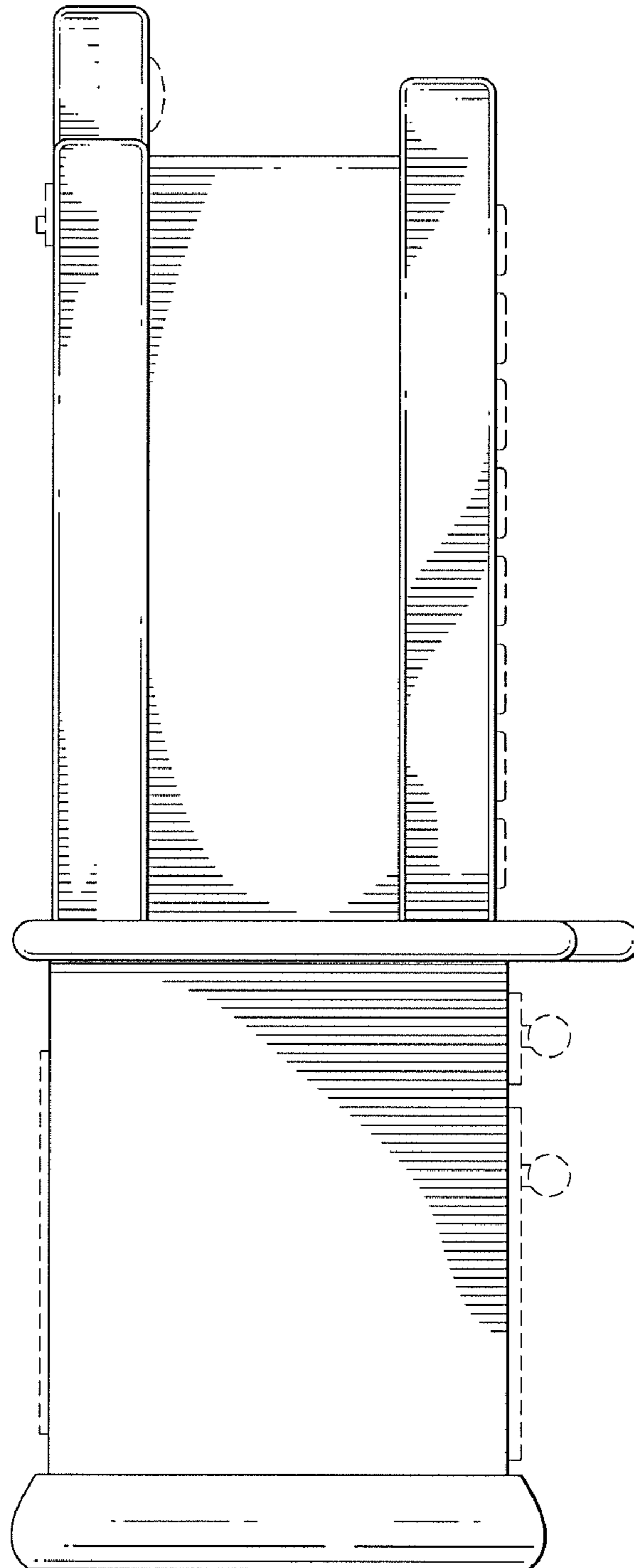


FIG. 5

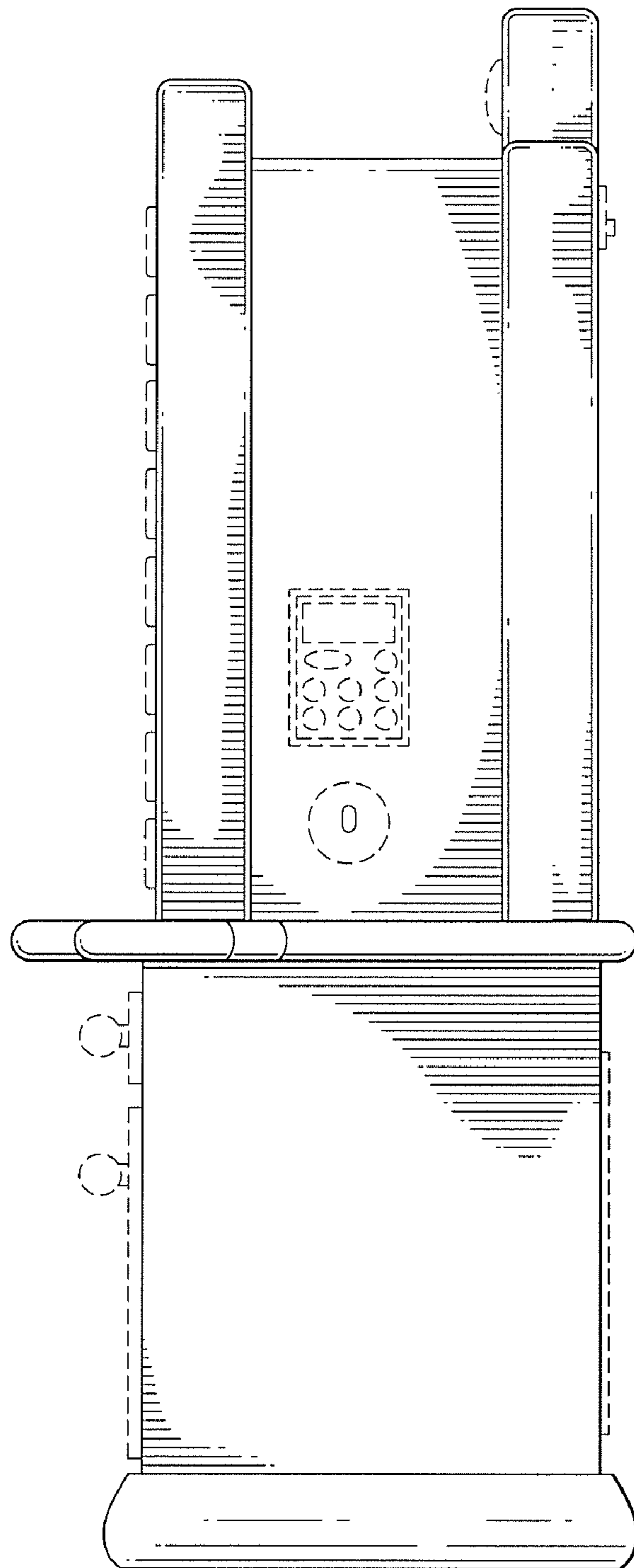


FIG. 6



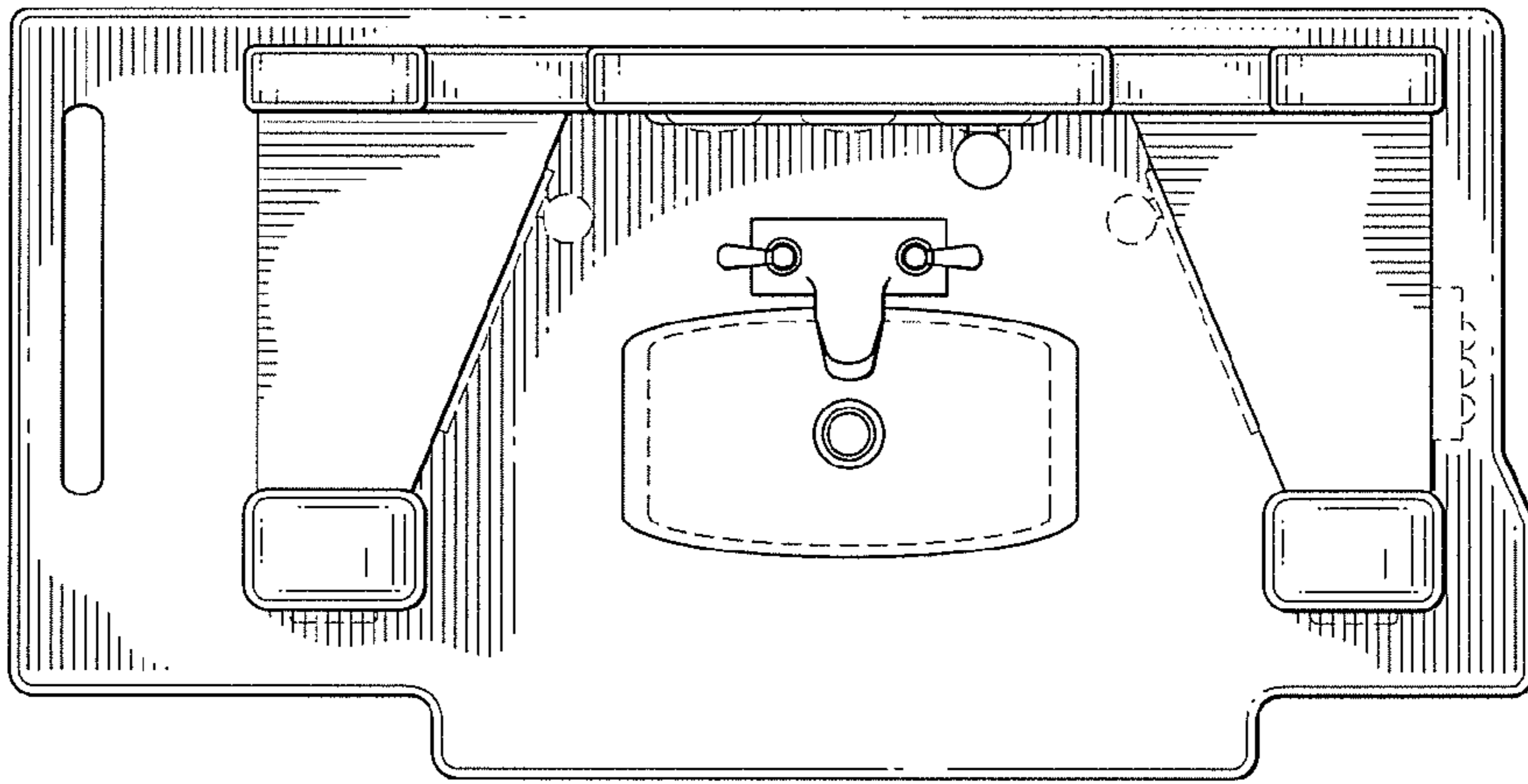


FIG. 7

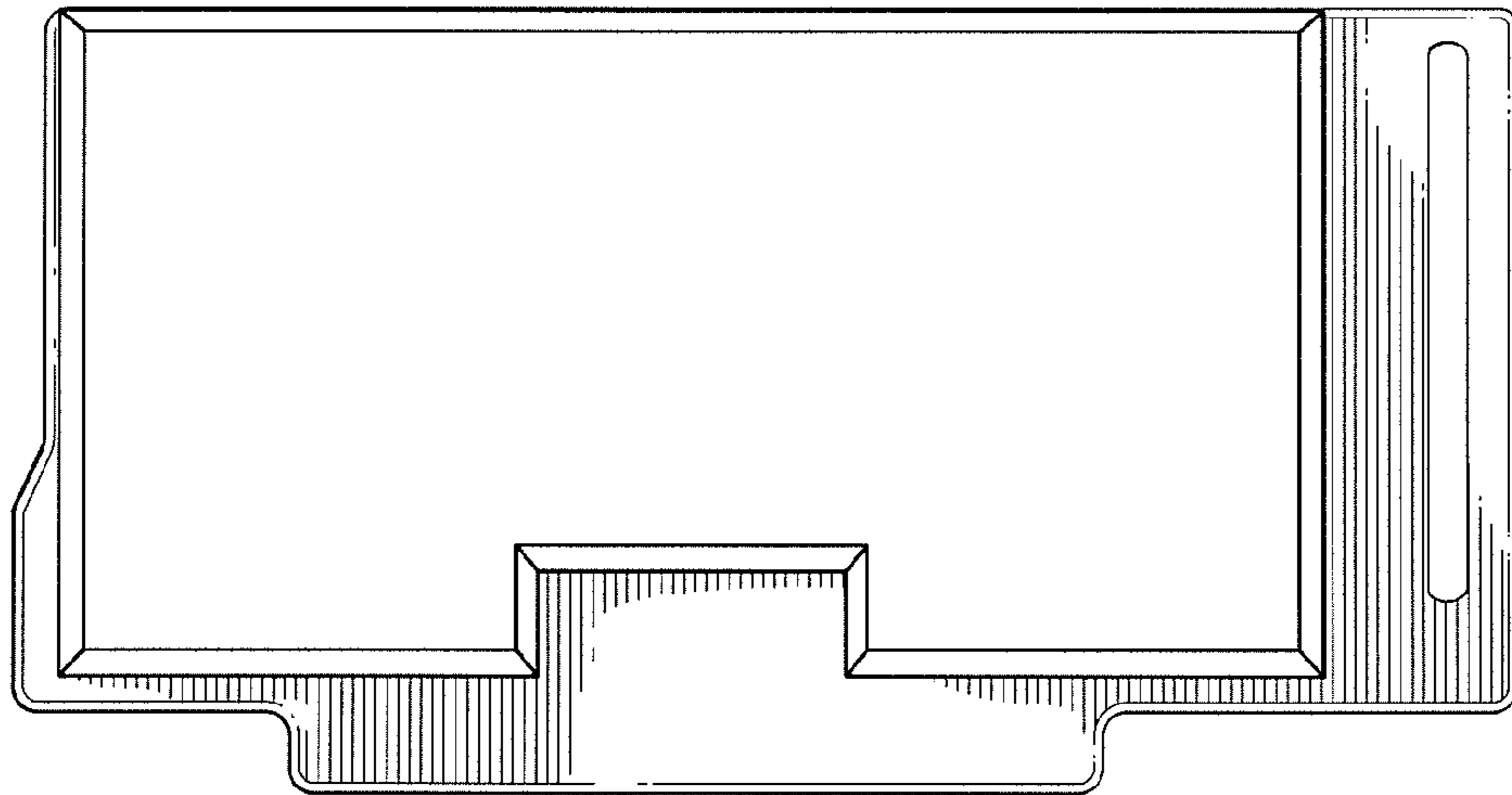


FIG.8