



US00D606595S

(12) **United States Design Patent**
Levy et al.

(10) **Patent No.:** **US D606,595 S**

(45) **Date of Patent:** **** Dec. 22, 2009**

(54) **ELECTRONIC BUTTON**

(76) Inventors: **Richard C. Levy**, 5589 Vintage Oaks
Ter., Delray Beach, FL (US) 33434;
Pauline Olson, 2815 Hampton Cir. East,
Delray Beach, FL (US) 33445

(**) Term: **14 Years**

(21) Appl. No.: **29/292,448**

(22) Filed: **Oct. 12, 2007**

(51) **LOC (9) Cl.** **21-01**

(52) **U.S. Cl.** **D21/405**

(58) **Field of Classification Search** D13/171;
D21/324, 405; D8/310, 312; D10/116; D19/100;
200/6 A, 341, 457; 273/161, 454, 460; 340/384.6,
340/384.7; 369/63; 381/332, 386; 446/47,
446/81, 297, 397, 406, 484, 486; 463/46
See application file for complete search history.

(56) **References Cited**

U.S. PATENT DOCUMENTS

1,945,487	A *	1/1934	Johnson	200/457
3,627,161	A *	12/1971	Wergeland	215/11.6
3,709,502	A *	1/1973	Wyman et al.	273/161
4,090,718	A *	5/1978	Grimaldi	369/63
D253,786	S *	12/1979	Montague	D21/324
4,245,218	A *	1/1981	Berkebile et al.	340/574
4,278,851	A *	7/1981	Takaya	340/384.6
4,326,710	A *	4/1982	Breslow et al.	273/460
4,602,245	A *	7/1986	Yang et al.	340/384.6

4,608,882	A *	9/1986	Howie, Jr.	74/548
4,810,997	A *	3/1989	Kudo et al.	340/384.6
D301,156	S *	5/1989	Bullard	D21/405
4,929,212	A *	5/1990	Li	446/47
5,536,196	A *	7/1996	Sternberg	446/81
D382,307	S *	8/1997	Sharpe et al.	D21/405
5,802,197	A *	9/1998	Fulcher	381/386
6,744,374	B1 *	6/2004	Kuenzner	340/815.78
D494,633	S *	8/2004	Nussberger et al.	D21/324
D537,480	S *	2/2007	Sullivan	D19/100
D557,346	S *	12/2007	Hall et al.	D21/324
2002/0066653	A1 *	6/2002	Yen	200/6 A
2006/0255032	A1 *	11/2006	Borene	220/200
2009/0003643	A1 *	1/2009	Canivenq	381/395
2009/0033473	A1 *	2/2009	Yu et al.	340/384.6

* cited by examiner

Primary Examiner—Selina Sikder

(57) **CLAIM**

The ornamental design for an electronic button, as shown and described.

DESCRIPTION

FIG. 1 is a perspective view of our new and ornamental design;

FIG. 2 is a top view thereof;

FIG. 3 is a side view thereof; the opposite side being a mirror image is not shown; and,

FIG. 4 is a bottom view thereof.

1 Claim, 1 Drawing Sheet

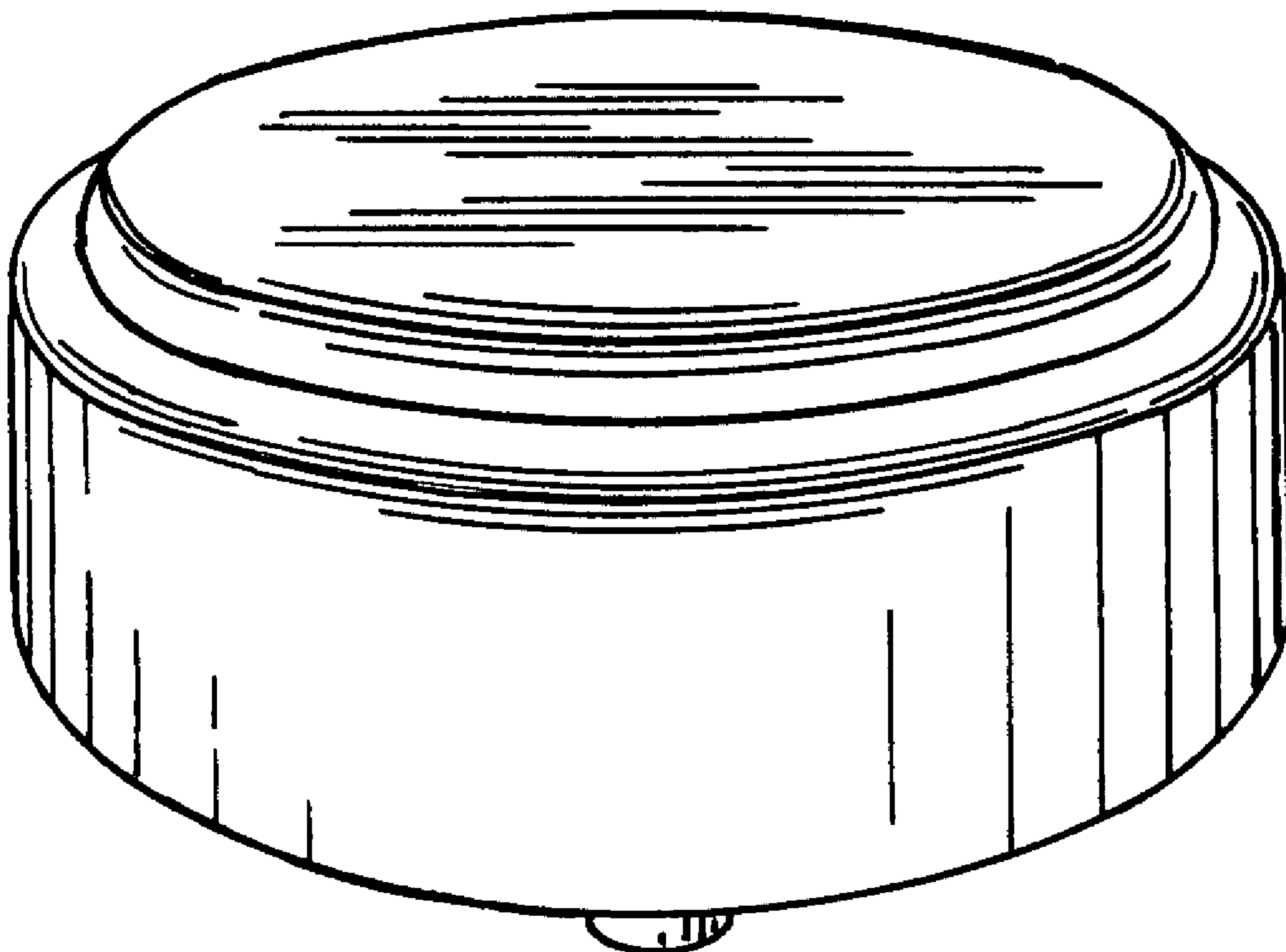


Fig.1

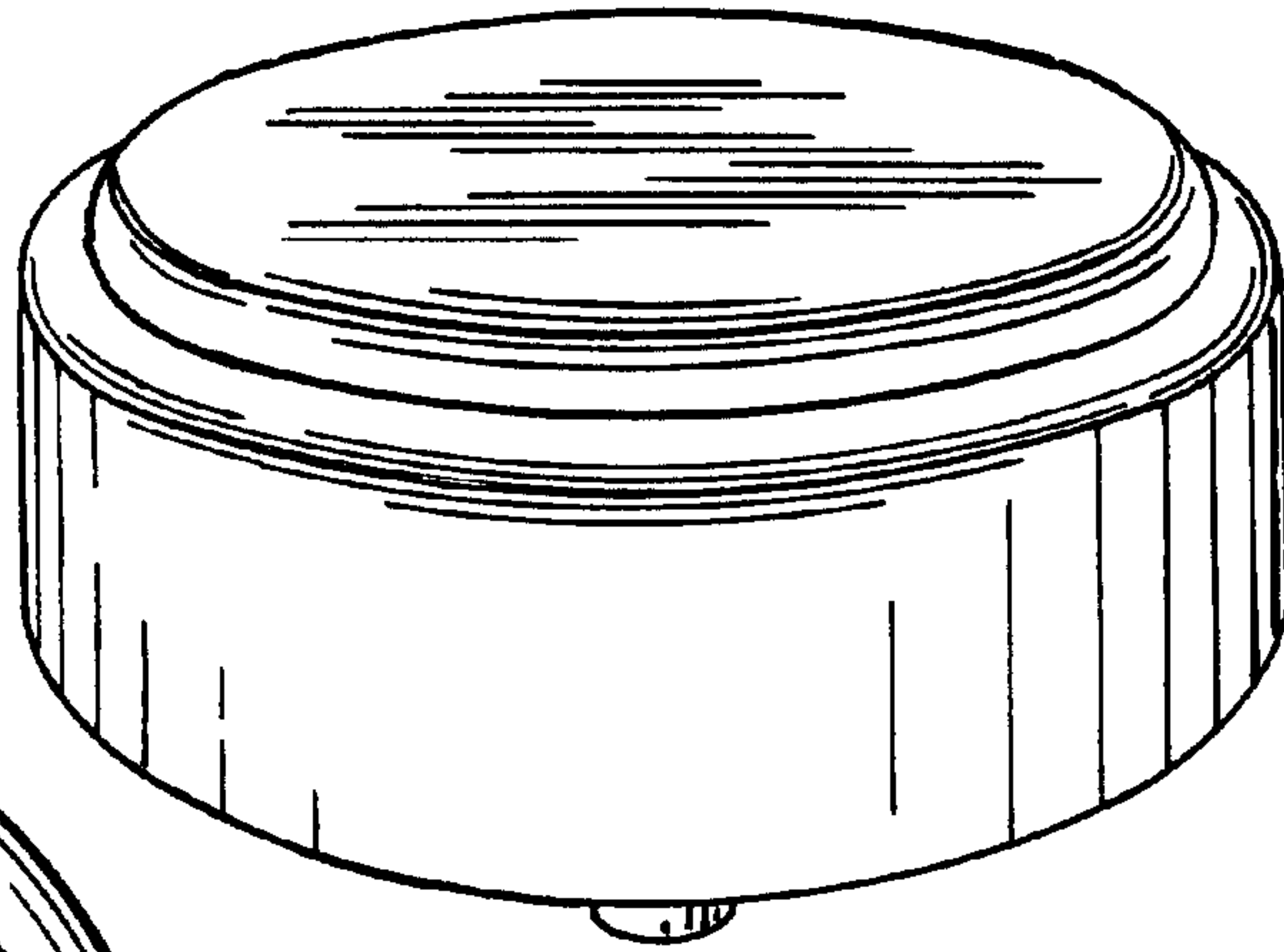


Fig.2

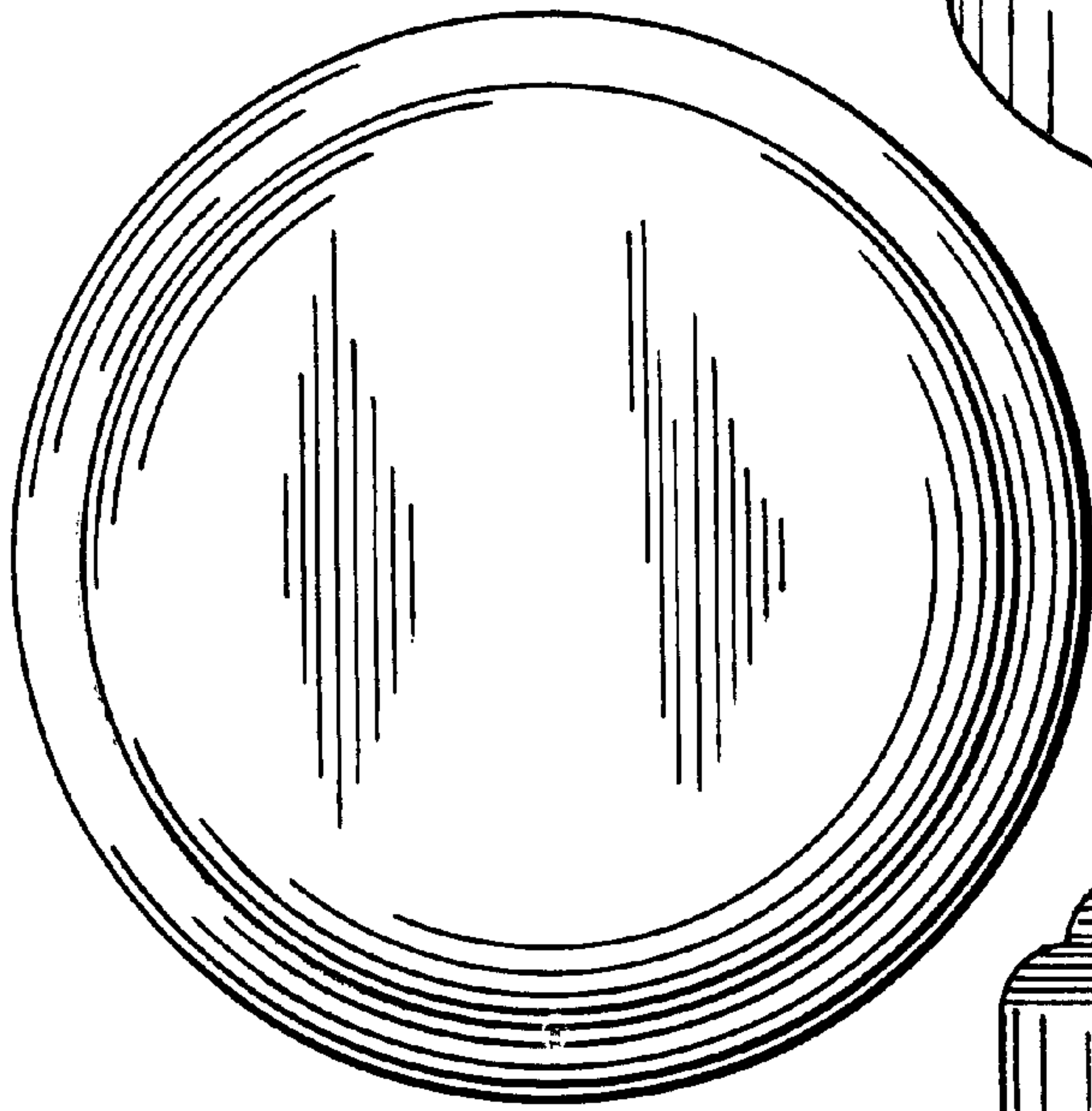


Fig.3

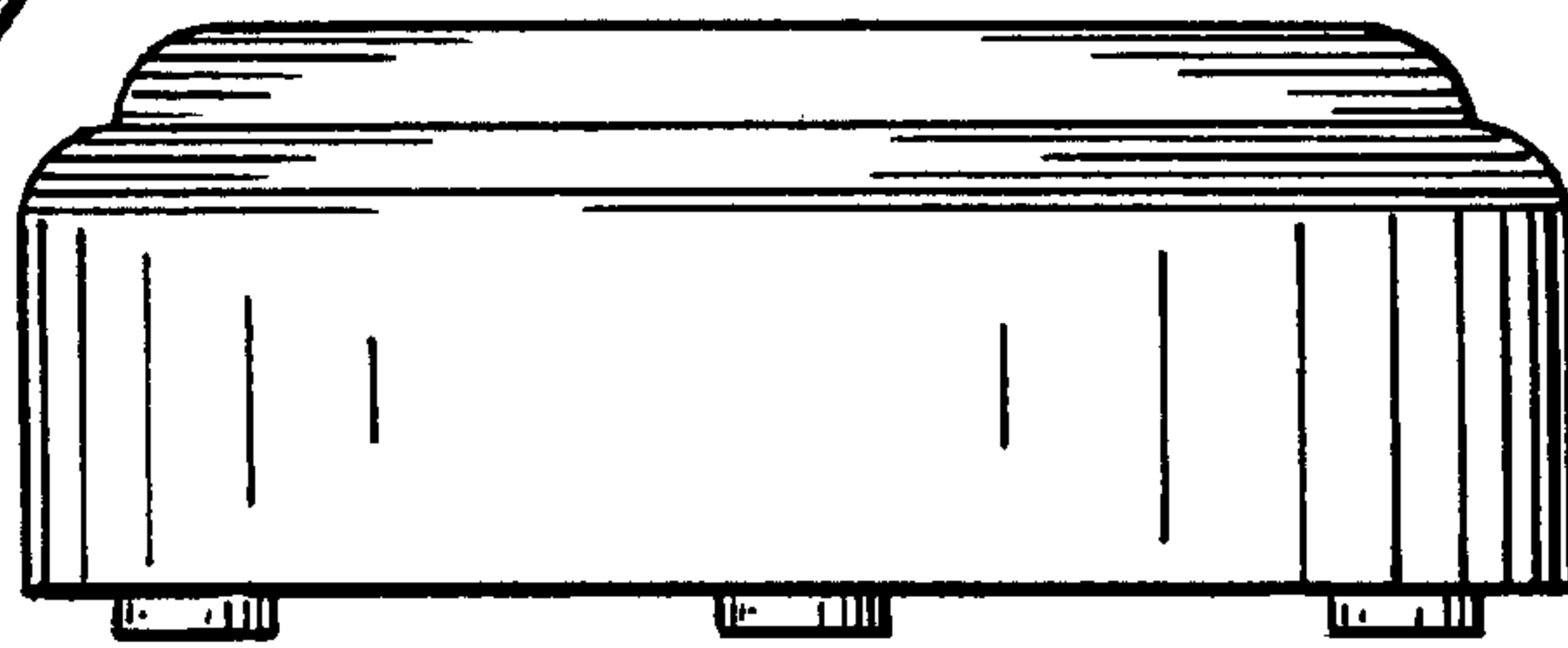


Fig.4

