



US00D606594S

(12) **United States Design Patent**
Guinchard et al.

(10) **Patent No.:** **US D606,594 S**

(45) **Date of Patent:** **** Dec. 22, 2009**

(54) **GUITAR-SHAPED CONTROLLER BODY**

(75) Inventors: **Lee Guinchard**, Mountain View, CA
(US); **Stephen N. Withers**, Kendal
(GB); **Lee Yat Lam**, Hong Kong (HK)

(73) Assignee: **Activision Publishing, Inc.**, Santa
Monica, CA (US)

(**) Term: **14 Years**

(21) Appl. No.: **29/337,593**

(22) Filed: **May 26, 2009**

Related U.S. Application Data

(63) Continuation of application No. 29/318,367, filed on
May 19, 2008, now abandoned.

(51) **LOC (9) Cl.** **21-01**

(52) **U.S. Cl.** **D21/324; D21/333; D17/20;**
D17/14; D14/388

(58) **Field of Classification Search** **D14/217,**
D14/218, 356, 388, 399-401, 412-416, 432,
D14/434, 454-457, 496; D17/14, 18-21,
D17/24, 99; D21/324, 332, 333, 405, 409,
D21/411, 468, 586; 84/7, 11, 173, 267-269,
84/290, 293, 718; 345/156-161, 905; 463/1,
463/30, 36-38, 46, 47

See application file for complete search history.

(56) **References Cited**

U.S. PATENT DOCUMENTS

D239,052 S	3/1976	Bolen et al.
D258,739 S	3/1981	Todd, III
D259,199 S	5/1981	Kelly et al.
D266,003 S	8/1982	Lieber
D269,186 S	5/1983	Wilson et al.
D269,523 S	6/1983	Burge
D269,524 S	6/1983	Burge
D270,842 S	10/1983	Peavey
D274,733 S	7/1984	Hampton et al.
D276,918 S	12/1984	Peavey
D278,349 S	4/1985	Peavey et al.

D278,541 S	4/1985	Toth
D282,177 S	* 1/1986	Peavey D17/20
D324,692 S	3/1992	Milner et al.
D335,890 S	5/1993	Riboloff et al.
D340,737 S	10/1993	Sandberg
D344,747 S	3/1994	Harper
D356,811 S	3/1995	Oaks
D362,262 S	9/1995	Kubicki
D362,265 S	9/1995	DeCola
D371,972 S	7/1996	Wong
D372,491 S	8/1996	DeCola
D378,596 S	3/1997	Jarowsky
D390,250 S	2/1998	McGuire
D392,310 S	3/1998	McGuire
D405,459 S	2/1999	Riboloff et al.
D409,647 S	5/1999	Dipinto
D410,943 S	* 6/1999	Alvarado D17/20
D411,566 S	6/1999	Dipinto
D414,506 S	9/1999	Pyle

(Continued)

Primary Examiner—Stella M Reid

Assistant Examiner—Keli L Hill

(74) *Attorney, Agent, or Firm*—Klein, O'Neil & Singh, LLP

(57) **CLAIM**

The ornamental design for guitar-shaped controller body, as shown and described.

DESCRIPTION

FIG. 1 is a front perspective view of a guitar-shaped controller body, embodying my new design;

FIG. 2 is a front elevation view thereof;

FIG. 3 is a right side elevation view thereof;

FIG. 4 is a rear view elevation view thereof;

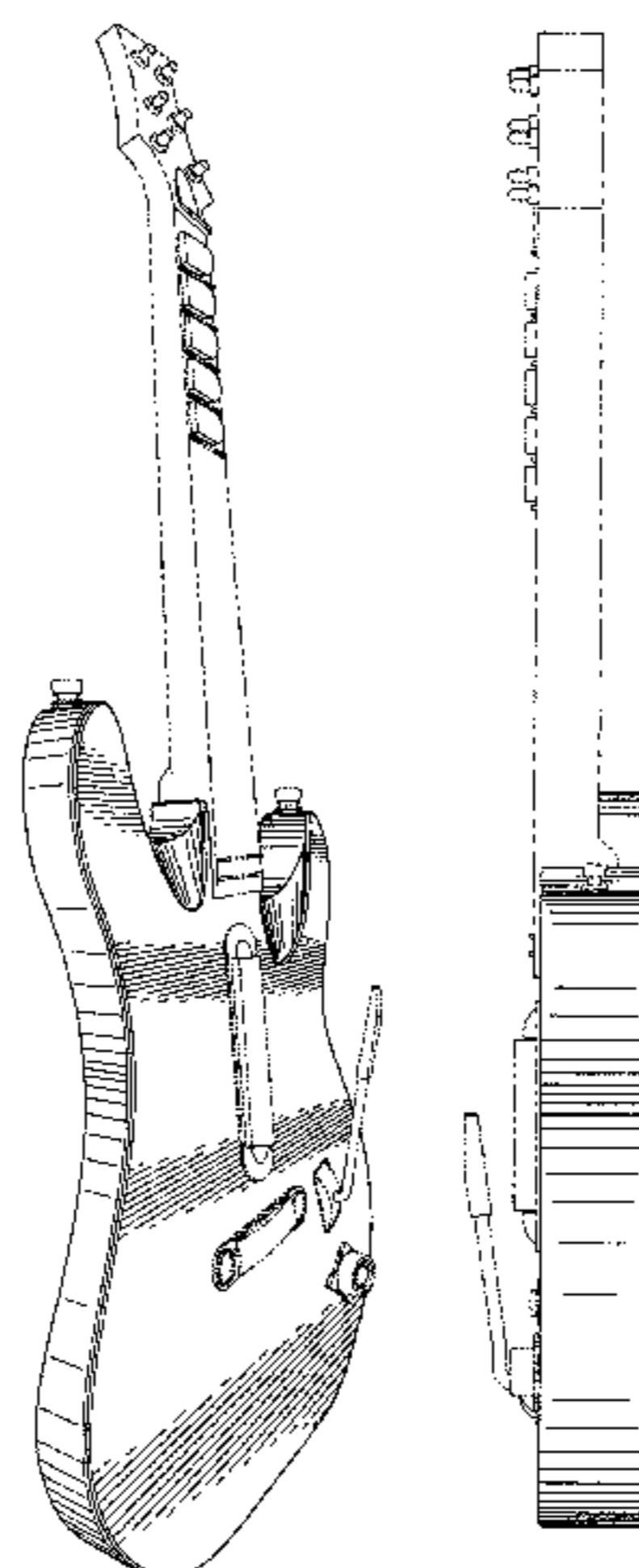
FIG. 5 is a left side elevation view thereof;

FIG. 6 is a bottom plan view thereof; and,

FIG. 7 is a top plan view of thereof.

The broken lines of the figures depict environment of the guitar-shaped controller body and form no part of the design.

1 Claim, 4 Drawing Sheets



US D606,594 S

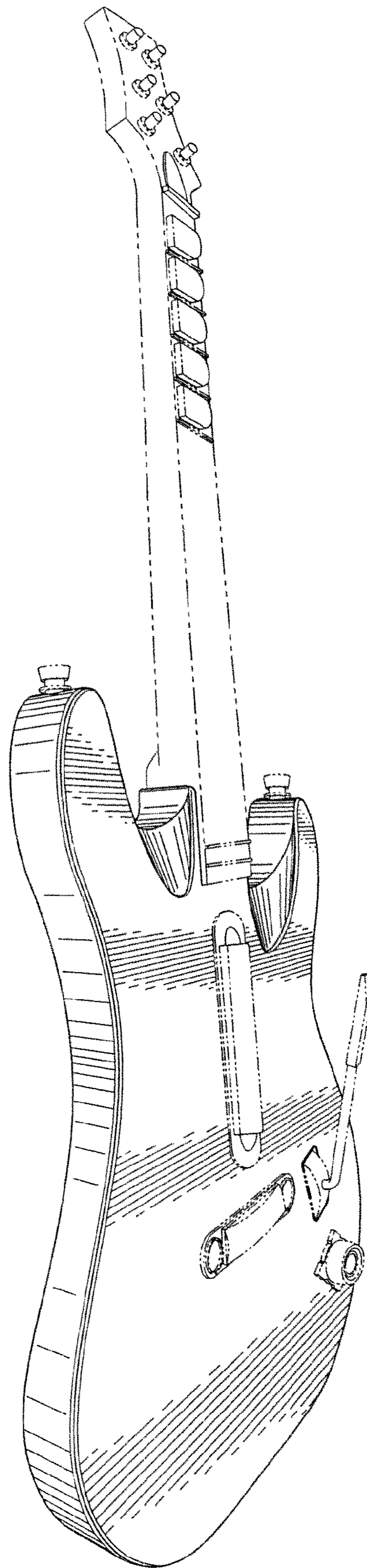
Page 2

U.S. PATENT DOCUMENTS

D420,694 S	2/2000	Rose	D529,071 S	9/2006	Blake
D427,244 S	6/2000	Muraki et al.	D529,942 S	10/2006	Harrington
D428,043 S	7/2000	Pyle	D531,203 S	10/2006	Cook
D431,589 S	10/2000	Steinberg et al.	D533,212 S	12/2006	Johnson
D437,875 S	2/2001	Ridinger	7,183,473 B2	2/2007	Untermeyer et al.
D445,444 S	7/2001	Wilson	D539,331 S	3/2007	Blake
D449,500 S	10/2001	Kelleghan	D539,835 S	4/2007	Brugal
D457,911 S	5/2002	Driskill, Jr.	D540,847 S	4/2007	Norsworthy
D477,013 S	7/2003	Rico	D548,771 S	8/2007	Ferguson et al.
D481,412 S	10/2003	Minarik	D549,767 S	8/2007	Mitic
D493,481 S	7/2004	Vogel	D553,180 S	10/2007	Cook
D510,382 S	10/2005	Norsworthy	D560,708 S	1/2008	D'Ambrosio
D512,452 S	12/2005	Sawhney et al.	D560,709 S	1/2008	Unkert
D516,607 S	3/2006	Dawson et al.	D561,238 S	2/2008	Butler et al.
D517,114 S	3/2006	Knaggs et al.	D561,817 S	2/2008	D'Ambrosio
D527,036 S	8/2006	Pfister	D564,575 S	3/2008	Csakvary
D527,409 S	8/2006	Harrington	D565,093 S	3/2008	Chan
D527,410 S	8/2006	Harrington	D565,643 S	4/2008	Li
D528,583 S	9/2006	Harrington	D571,849 S *	6/2008	Li D17/18
D529,069 S	9/2006	Garret, Jr.	D576,165 S	9/2008	Yow et al.
D529,070 S	9/2006	Blake	7,435,178 B1	10/2008	Tam et al.
			D579,969 S	11/2008	Hirsch

* cited by examiner

FIG. 1



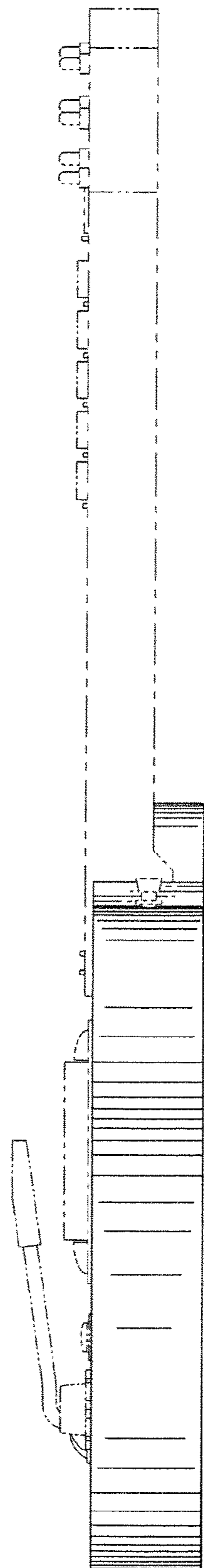
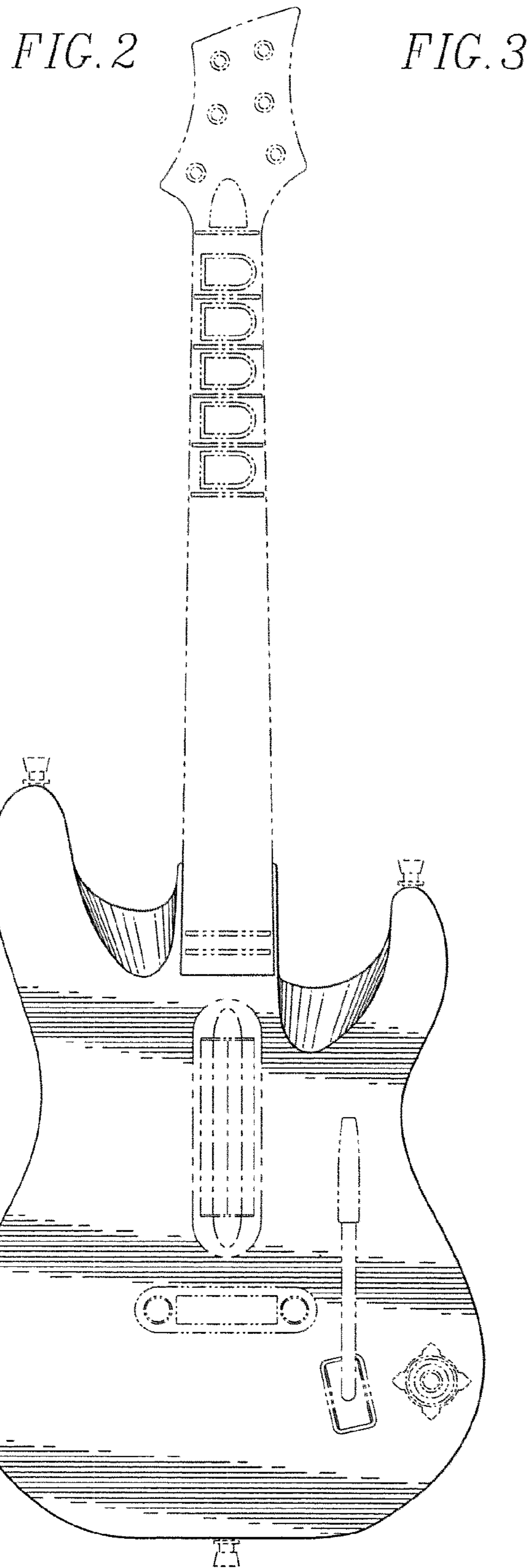
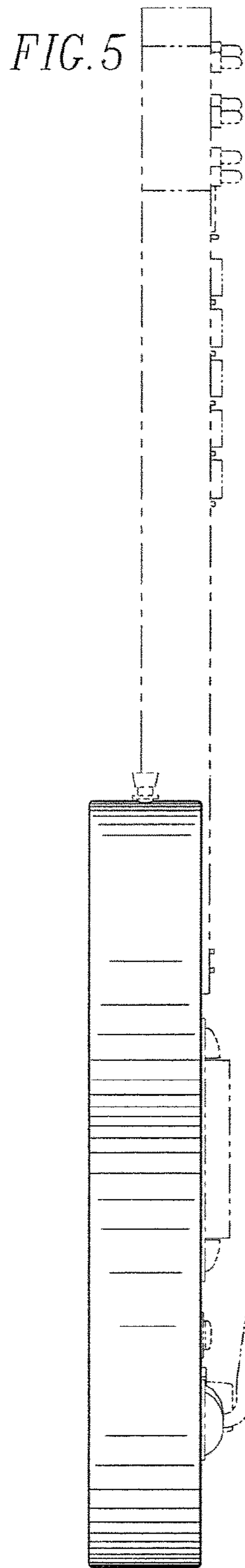


FIG. 4

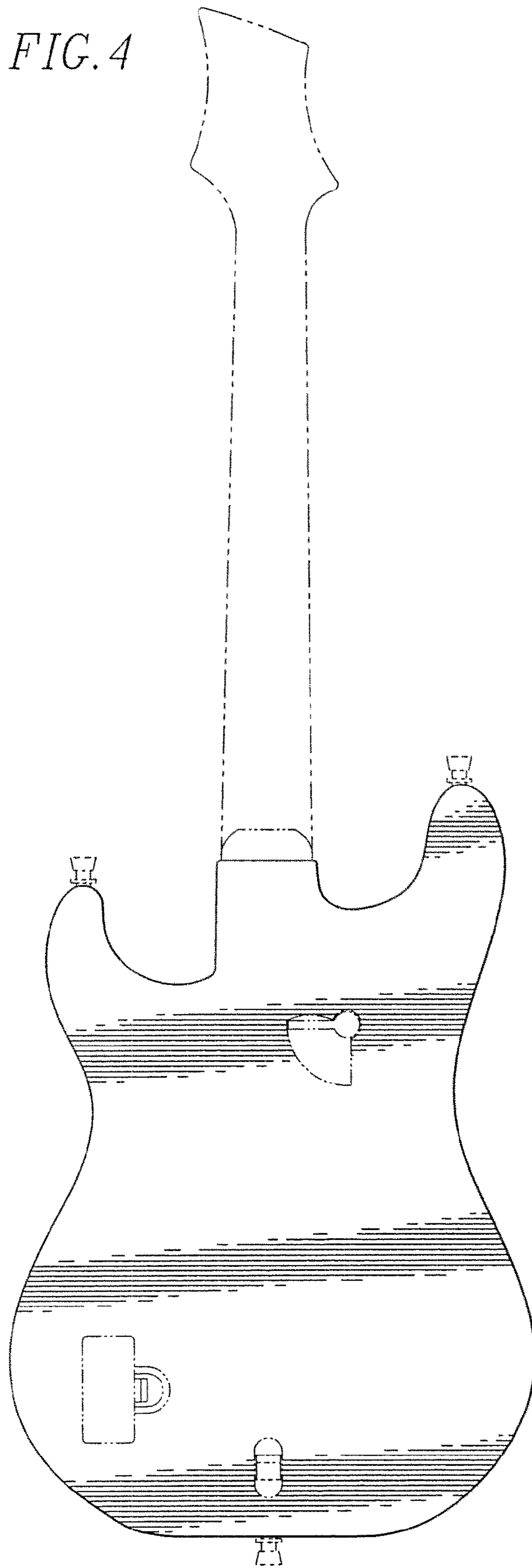


FIG. 6

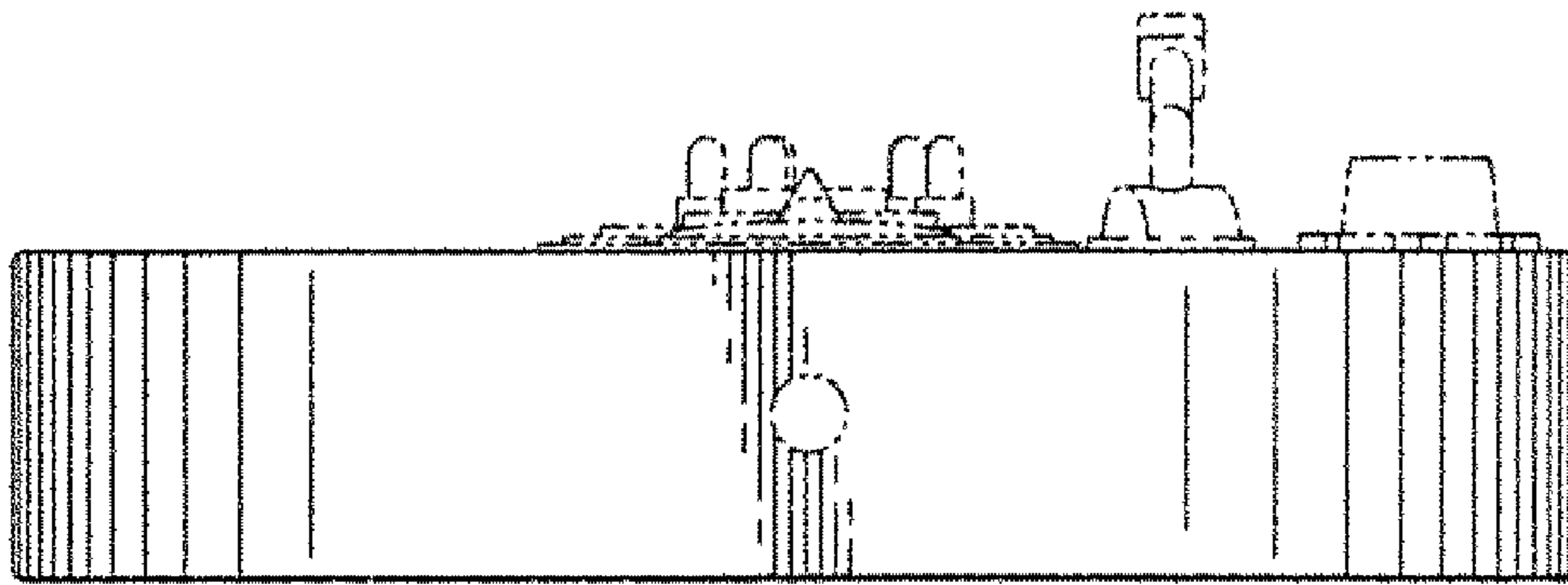


FIG. 7

