



US00D606593S

(12) **United States Design Patent**
Wilm

(10) **Patent No.:** **US D606,593 S**

(45) **Date of Patent:** **** Dec. 22, 2009**

(54) **GAMING CONSOLE**

(75) Inventor: **Robert Wilm**, Dresden (DE)

(73) Assignee: **PublicSolution GmbH**, Dresden (DE)

(**) Term: **14 Years**

(21) Appl. No.: **29/301,266**

(22) Filed: **Feb. 20, 2008**

(30) **Foreign Application Priority Data**

Aug. 21, 2007 (DE) 4 07 04 288

(51) **LOC (9) Cl.** **21-01**

(52) **U.S. Cl.** **D21/324**

(58) **Field of Classification Search** D21/325,
D21/329, 333, 369, 385; 463/7, 12, 16-17,
463/20, 25, 46-47

See application file for complete search history.

(56) **References Cited**

U.S. PATENT DOCUMENTS

D476,376 S * 6/2003 Wintersteiger D21/329

* cited by examiner

Primary Examiner—Sandra Morris

(74) *Attorney, Agent, or Firm*—Gerald T. Bodner

(57) **CLAIM**

The ornamental design of a gaming console, as shown and described.

DESCRIPTION

FIG. 1 is a front elevational view of a gaming console showing my new design;

FIG. 2 is a right elevational view thereof;

FIG. 3 is a left elevational view thereof;

FIG. 4 is a rear elevational view thereof;

FIG. 5 is a top plan view thereof; and,

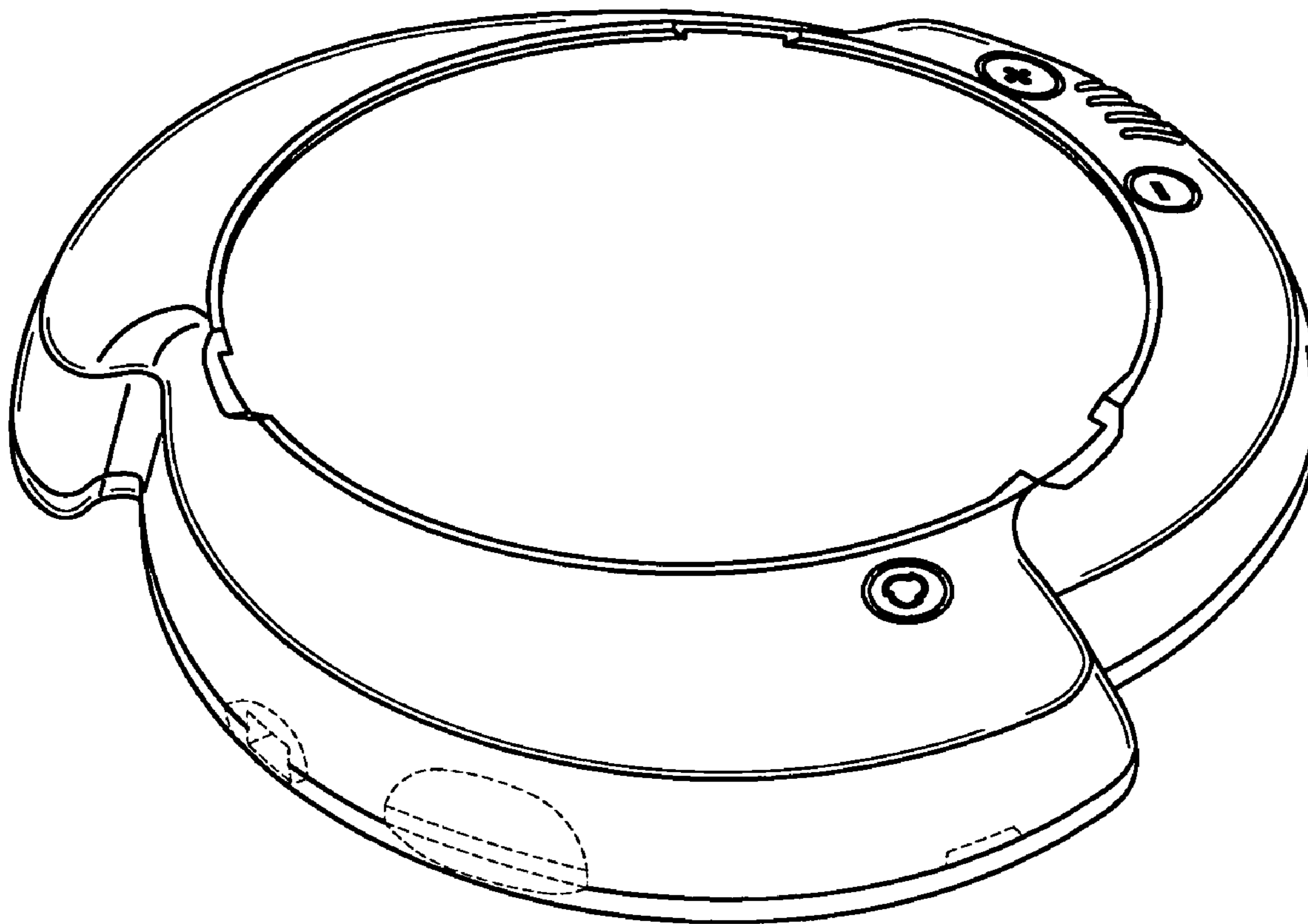
FIG. 6 is a bottom plan view thereof;

FIG. 7 is a top perspective view thereof; and,

FIG. 8 is a bottom perspective view thereof.

The broken lines are for illustrative purposes only and form no part of the claimed design.

1 Claim, 4 Drawing Sheets



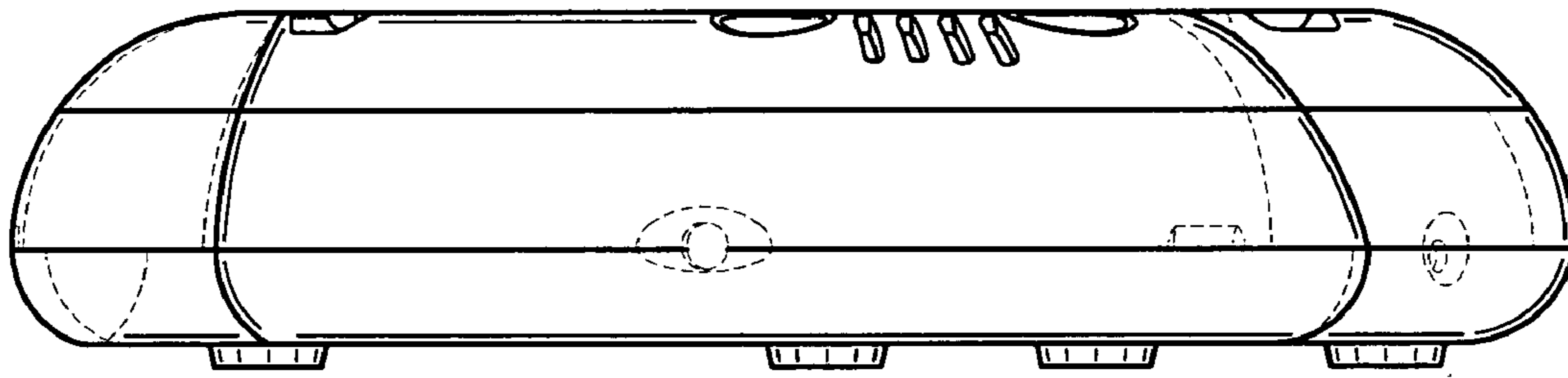


FIG. 1

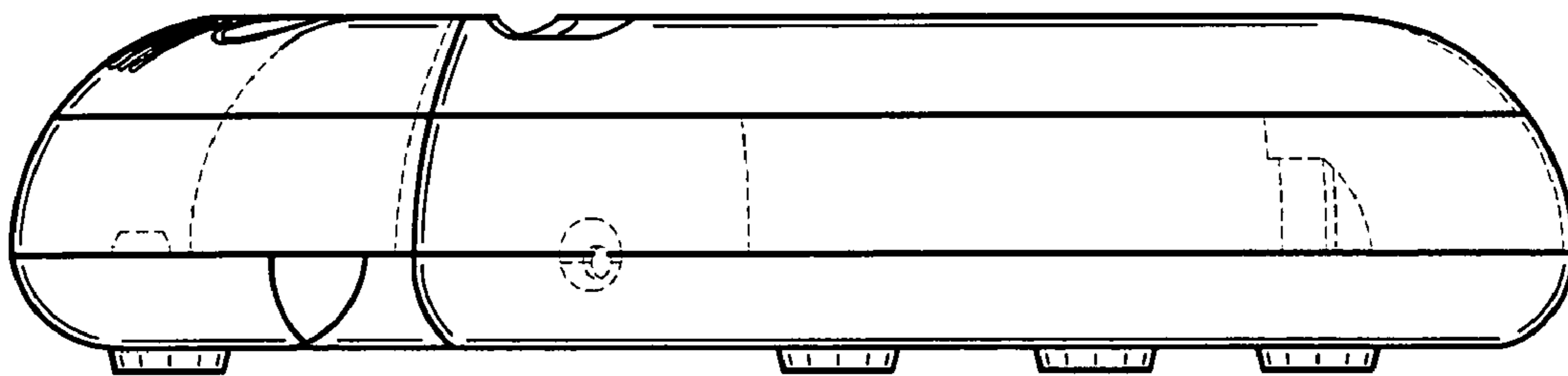


FIG. 2

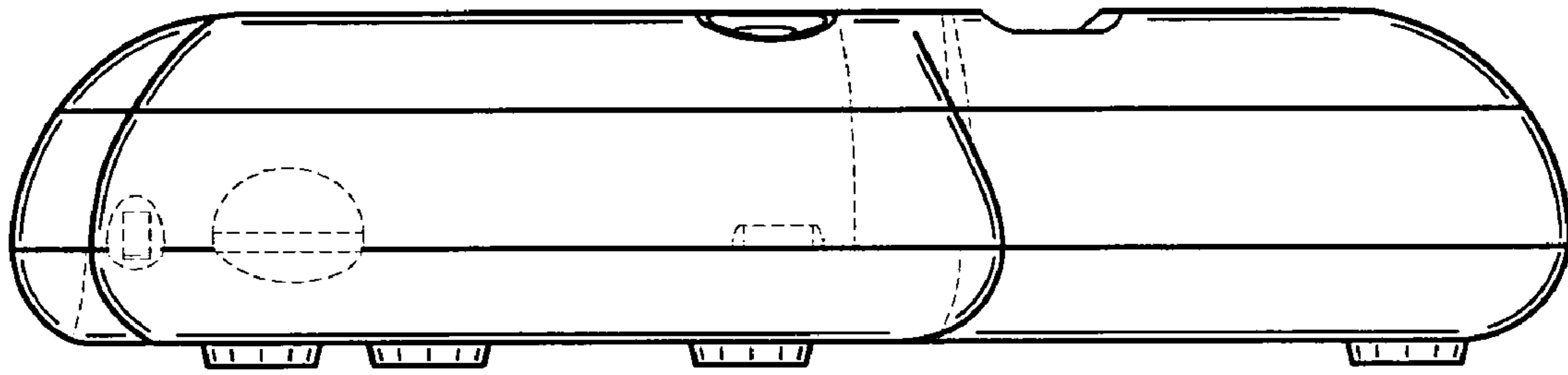


FIG. 3

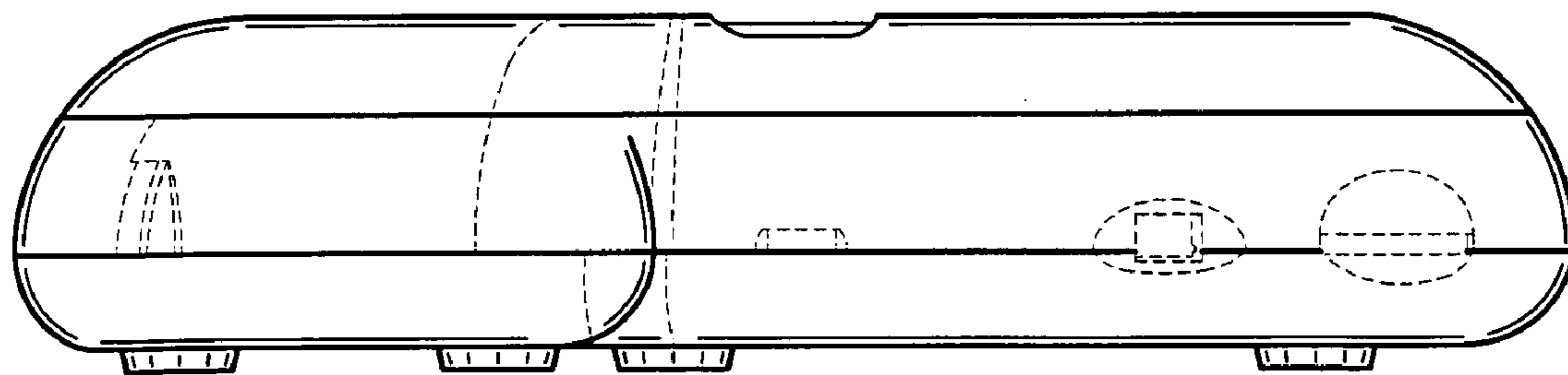


FIG. 4

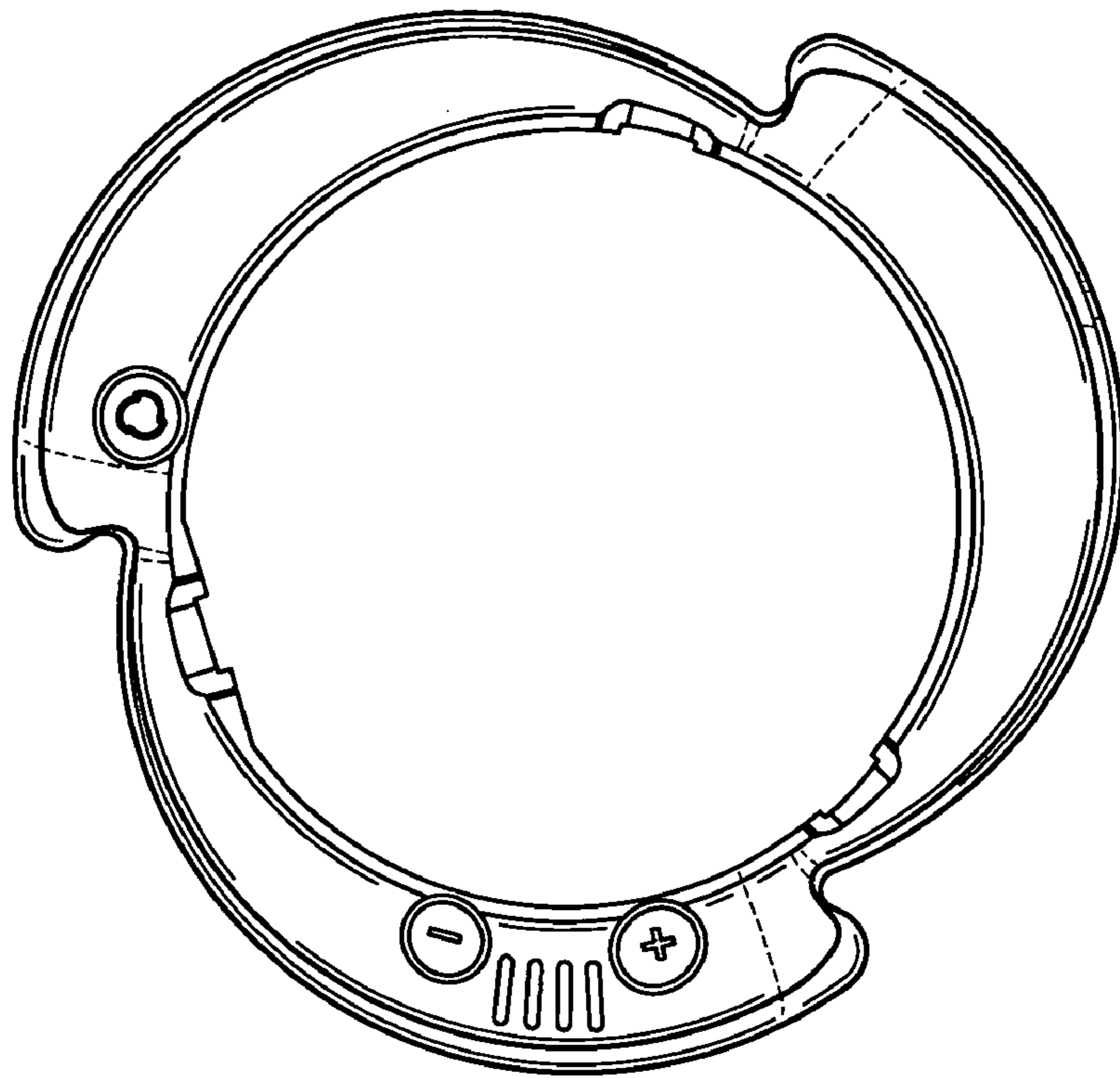


FIG. 5

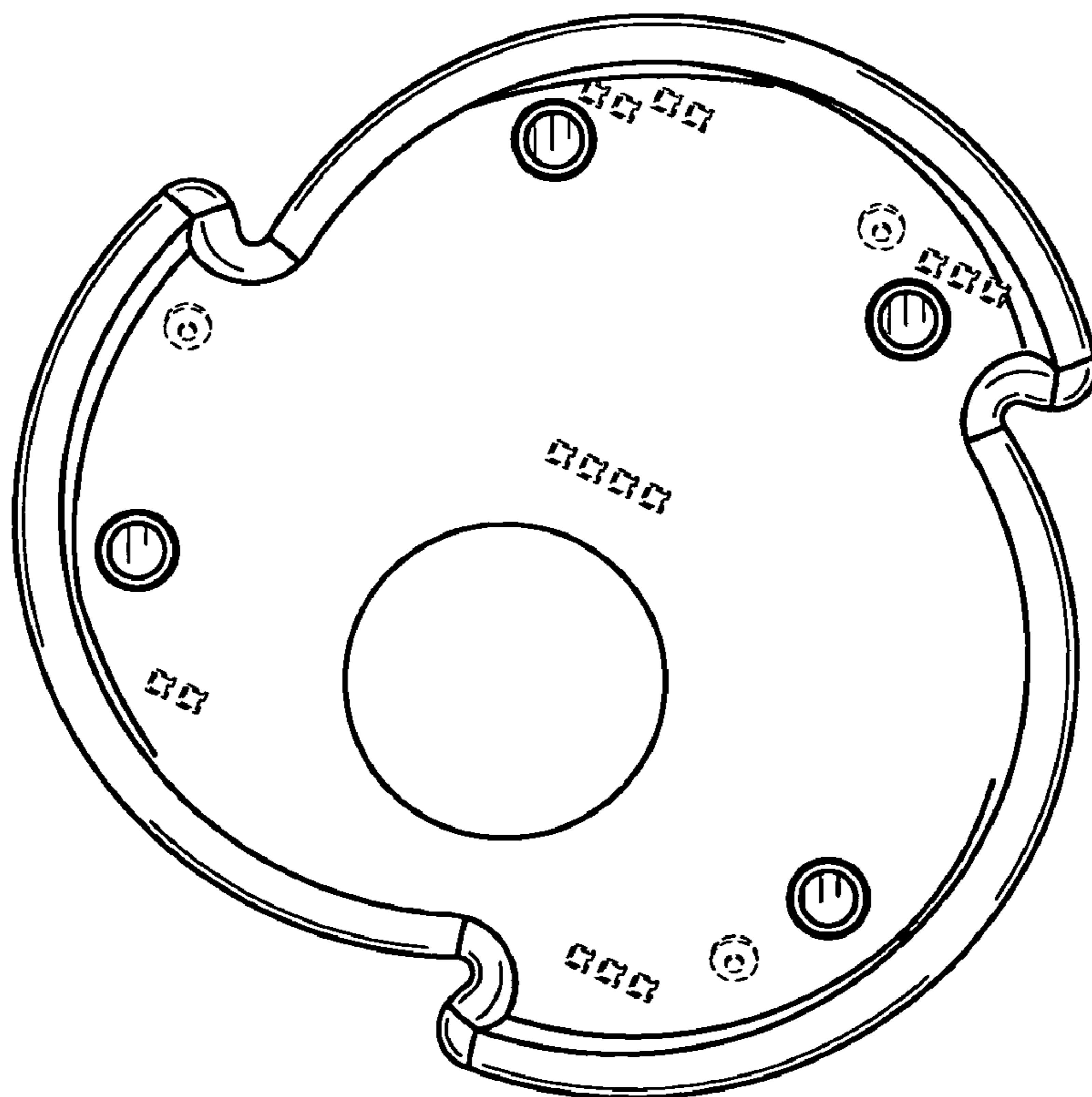


FIG. 6

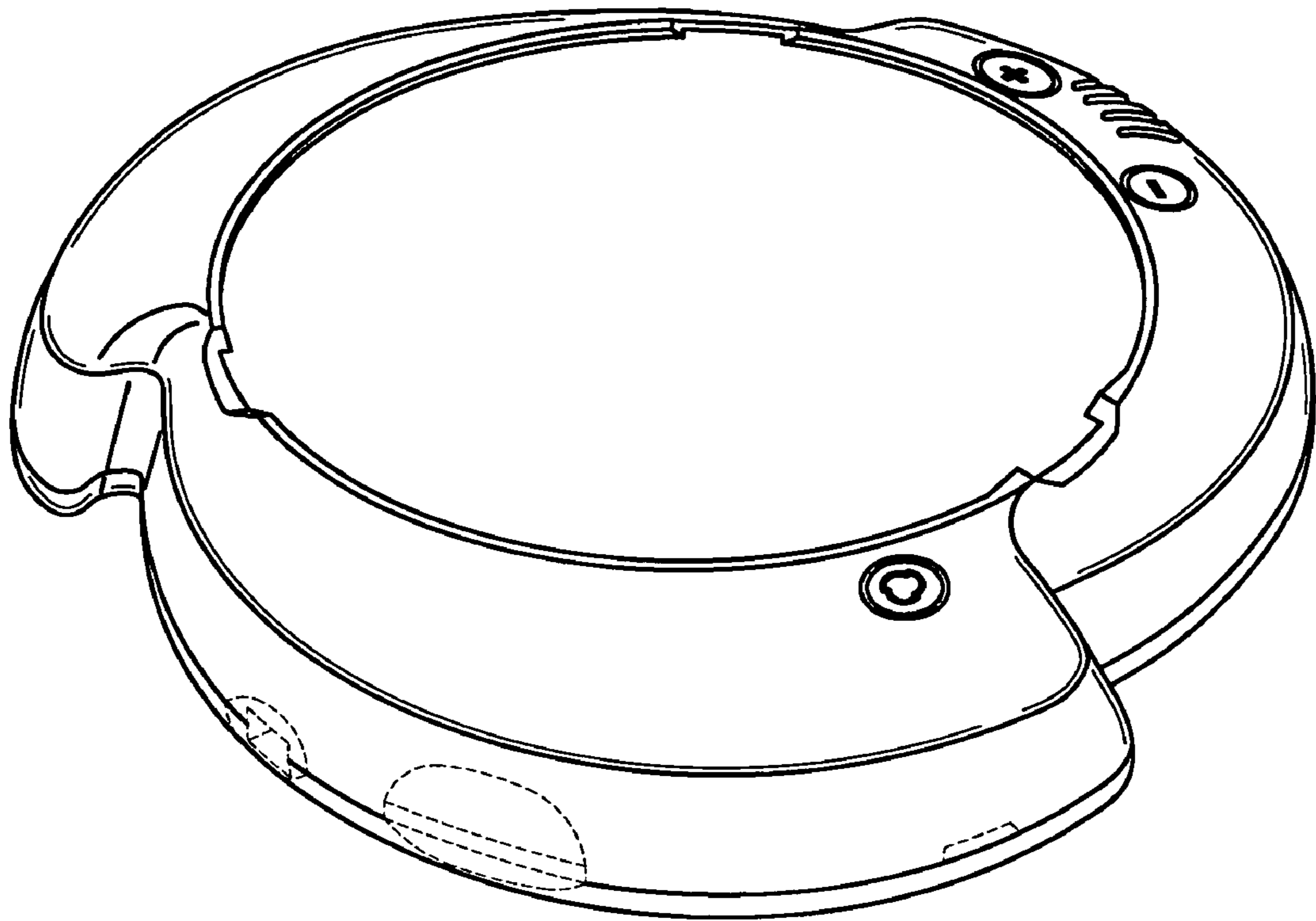


FIG. 7

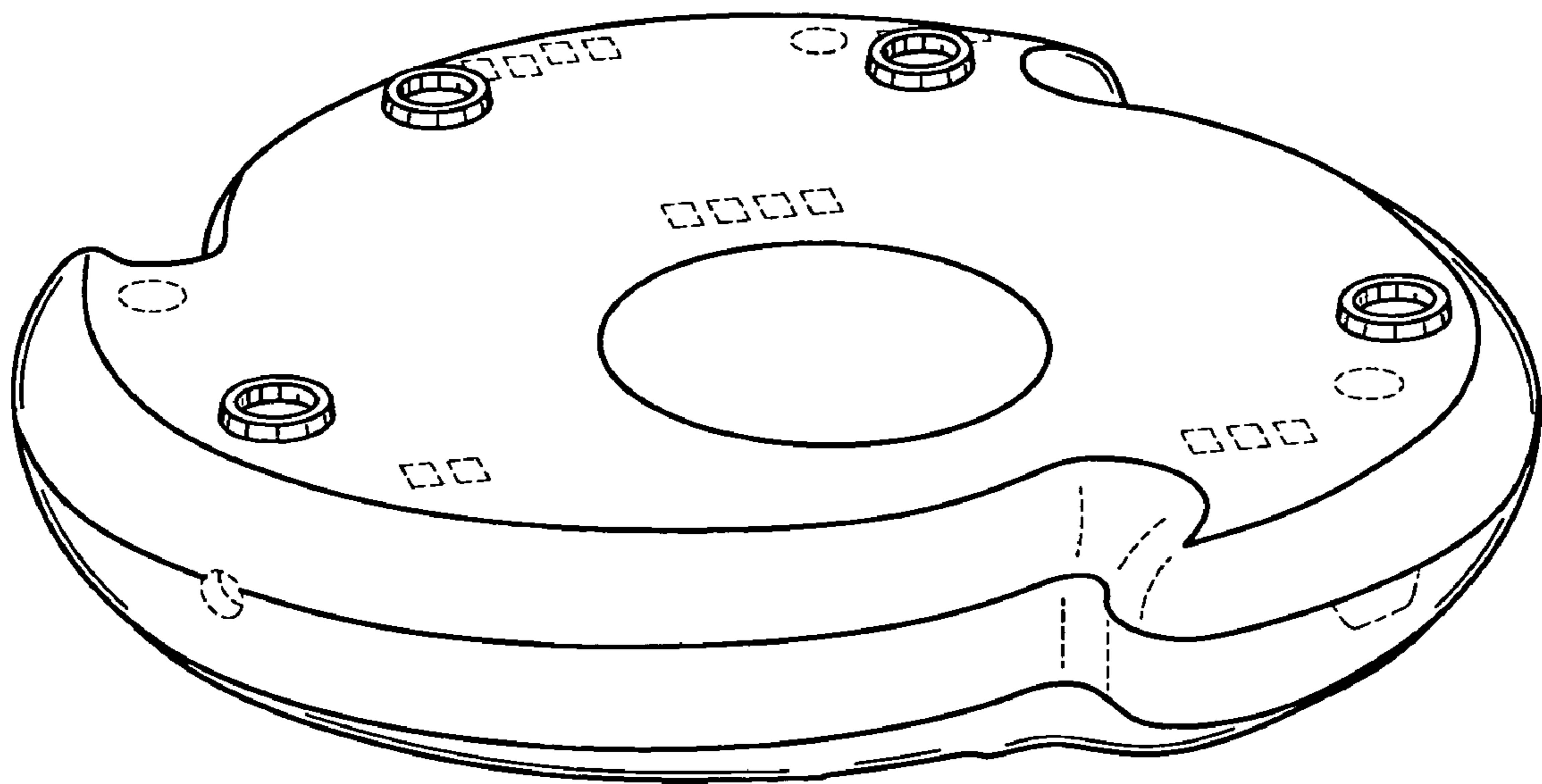


FIG. 8