



US00D606584S

(12) **United States Design Patent**
Farnell

(10) **Patent No.:** **US D606,584 S**

(45) **Date of Patent:** **** Dec. 22, 2009**

(54) **MULTISIDED DISPLAY CARD**

(57) **CLAIM**

(76) **Inventor:** **Andre Farnell**, 616 Edpas Rd., New Brunswick, NJ (US) 08901

The ornamental design for a multisided display card, as shown and described.

(**) **Term:** **14 Years**

DESCRIPTION

(21) **Appl. No.:** **29/334,014**

(22) **Filed:** **Mar. 19, 2009**

(51) **LOC (9) Cl.** **19-01**

(52) **U.S. Cl.** **D19/1**

(58) **Field of Classification Search** D19/1-34;
40/124.01-124.15, 672, 661, 726, 776, 617;
283/72, 74, 75, 103, 105, 106; 206/449,
206/213, 308.3; D20/10, 22, 27, 40, 42,
D20/11; 229/72, 92, 92.1, 300-303, 81;
D9/707, 709; 383/103, 51, 40, 87

See application file for complete search history.

(56) **References Cited**

U.S. PATENT DOCUMENTS

258,861	A *	5/1882	Lubin	229/81
2,005,493	A *	6/1935	Blackwell	D19/1
D123,247	S *	10/1940	Whiting	D19/3
D135,748	S *	6/1943	Baumgartner	D19/2
4,379,373	A *	4/1983	Transport	40/124.09
4,393,618	A *	7/1983	Ray	D19/1
D339,604	S *	9/1993	Gerber-Phinny	D19/3
D342,445	S *	12/1993	Brewer	D19/3
6,053,399	A *	4/2000	Wurdeman	D19/4
D430,605	S *	9/2000	McFarlane et al.	D19/3
D440,251	S *	4/2001	Baden	D19/3
D545,360	S *	6/2007	Schluger	D19/3
D555,903	S *	11/2007	Hammer	D19/26

* cited by examiner

Primary Examiner—T. Chase Nelson

Assistant Examiner—David G Muller

(74) *Attorney, Agent, or Firm*—Michael J. Feigin, Esq.;
PatentLawNY.com

FIG. 1 shows an outside bottom perspective of the multisided display card in a closed configuration.

FIG. 2 shows an outside bottom plan view of the multisided display card in a closed configuration.

FIG. 3 shows an outside top plan view of the multisided display card in a closed configuration.

FIG. 4 shows an outside, first side view of the multisided display card in a closed configuration.

FIG. 5 shows an outside, second side view of the multisided display card in a closed configuration.

FIG. 6 shows an outside, third side view of the multisided display card in a closed configuration.

FIG. 7 shows an outside, fourth side view of the multisided display card in a closed configuration.

FIG. 8 shows an outside bottom perspective view of the multisided display card in an open configuration.

FIG. 9 shows an outside bottom plan view of the multisided display card in an open configuration.

FIG. 10 shows an outside top plan view of the multisided display card in an open configuration.

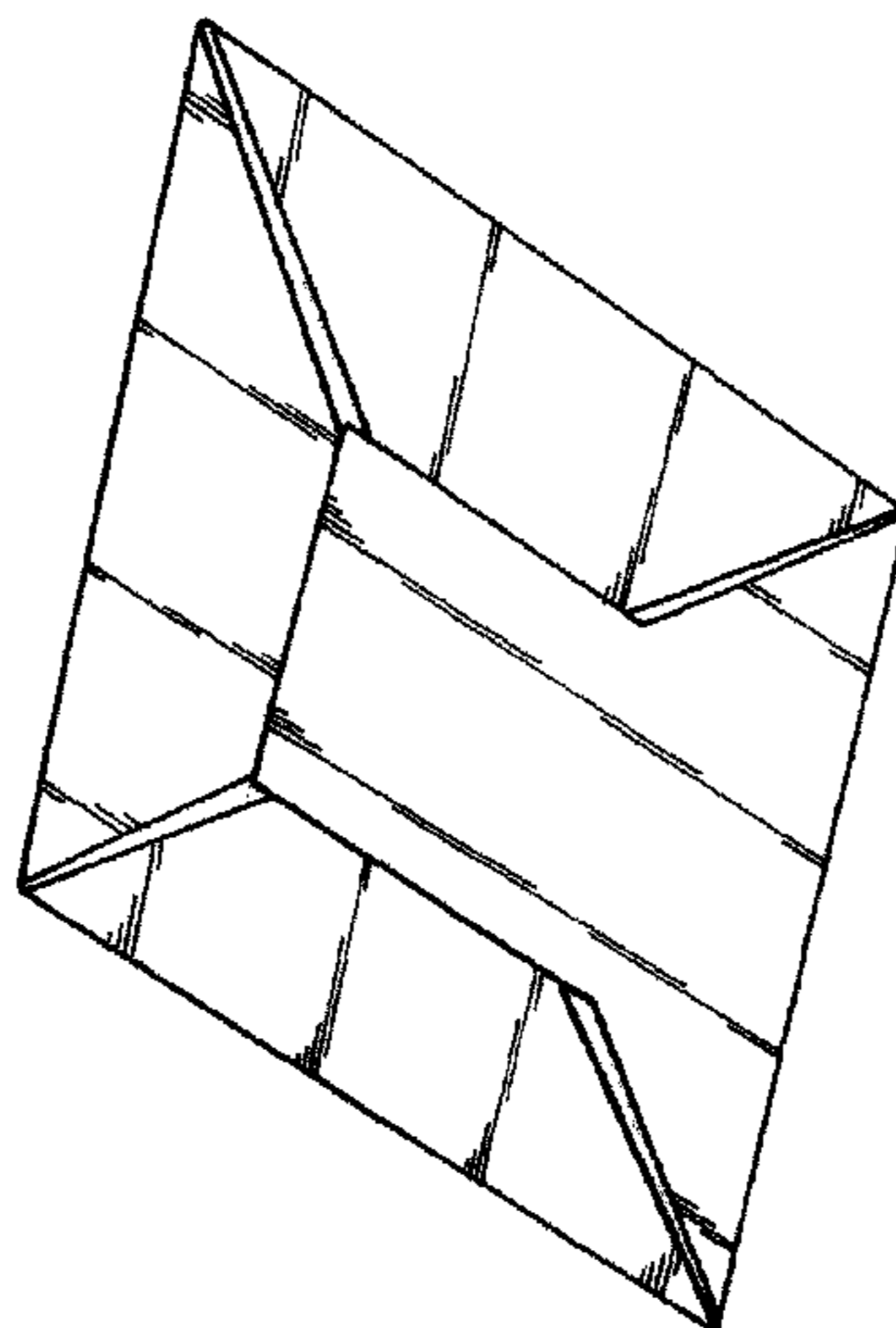
FIG. 11 shows an outside, first side view of the multisided display card in an open configuration.

FIG. 12 shows an outside, second side view of the multisided display card in an open configuration.

FIG. 13 shows an outside, third side view of the multisided display card in an open configuration; and,

FIG. 14 shows an outside, fourth side view of the multisided display card in an open configuration.

1 Claim, 7 Drawing Sheets



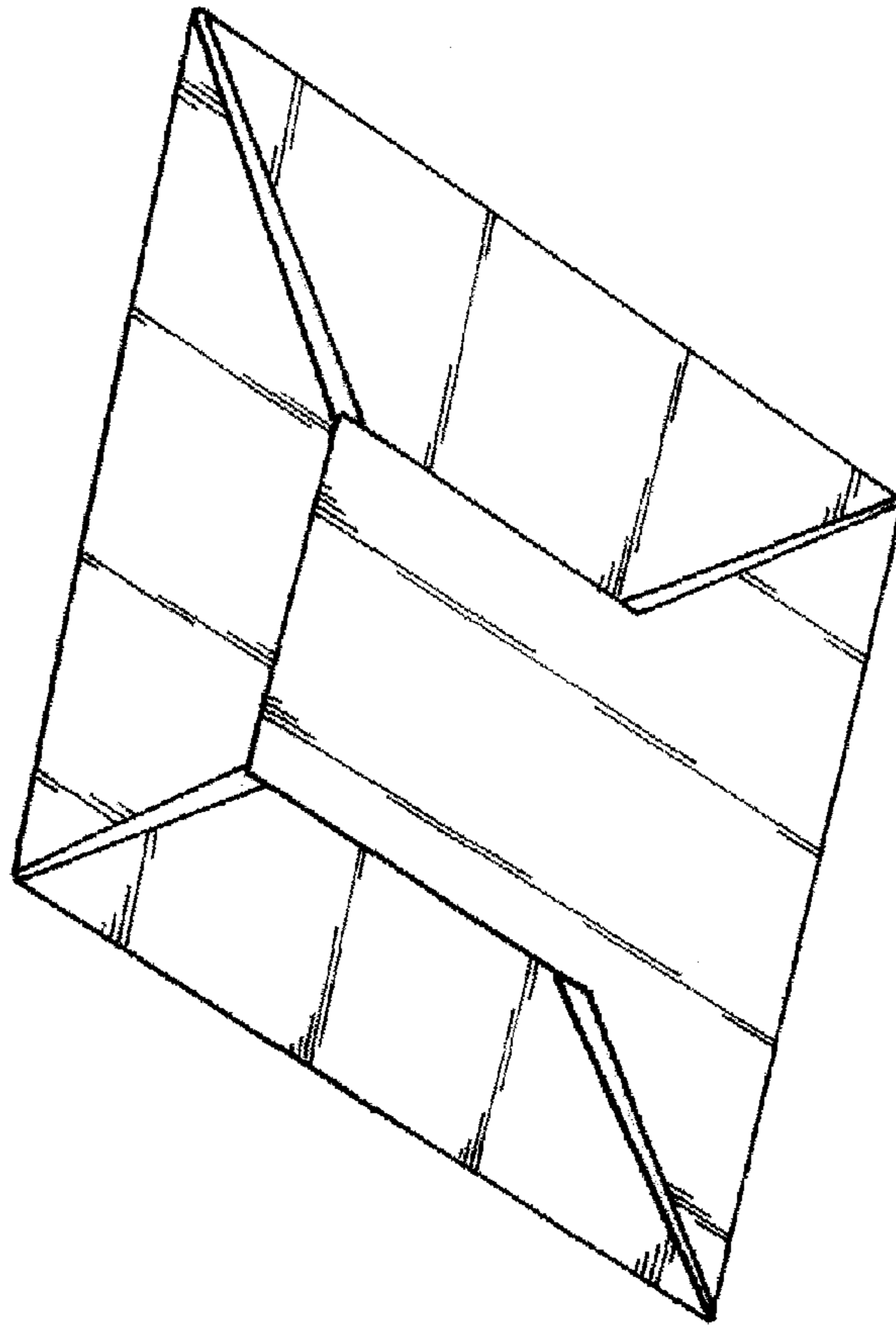


FIG. 1

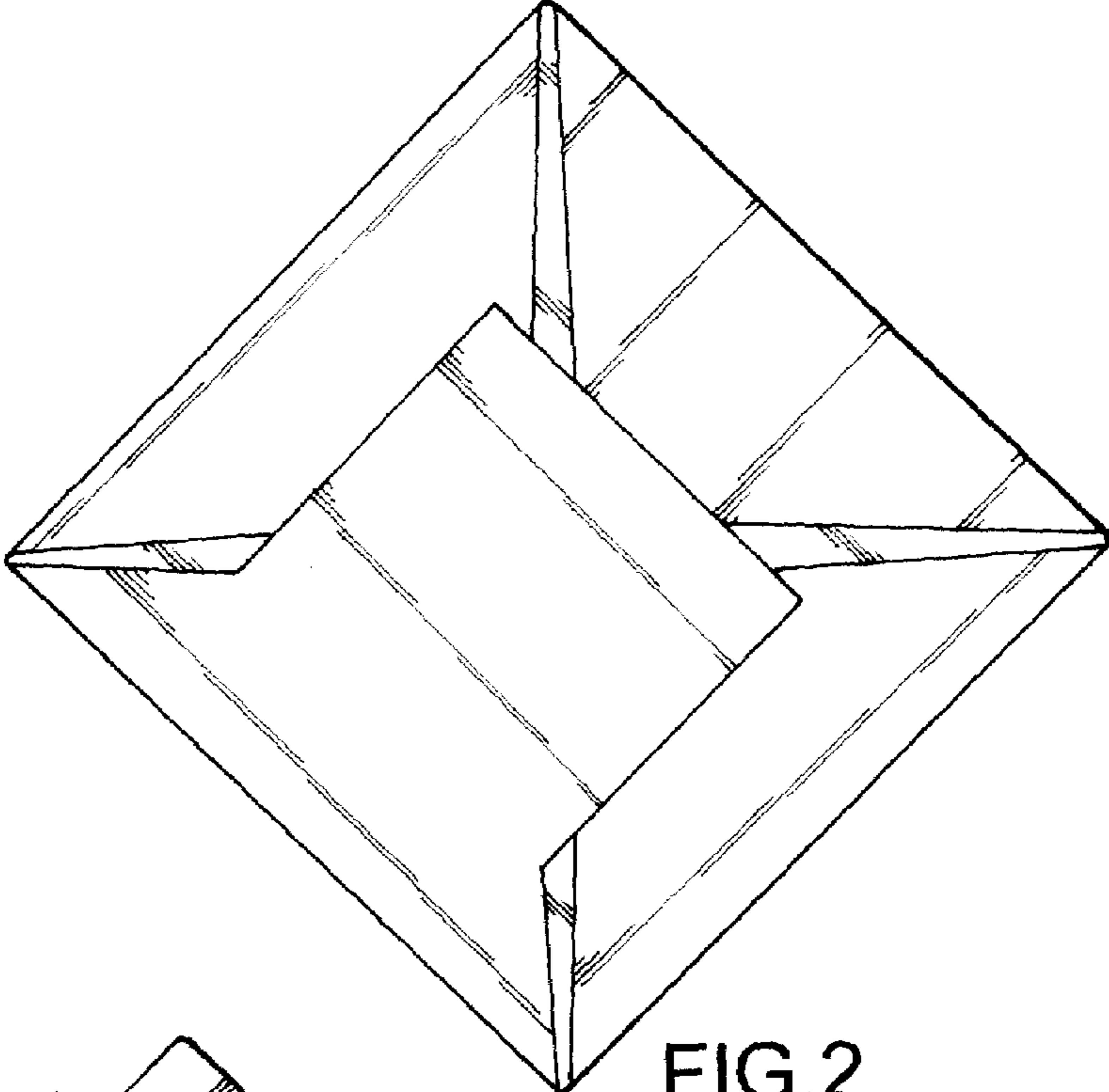


FIG. 2

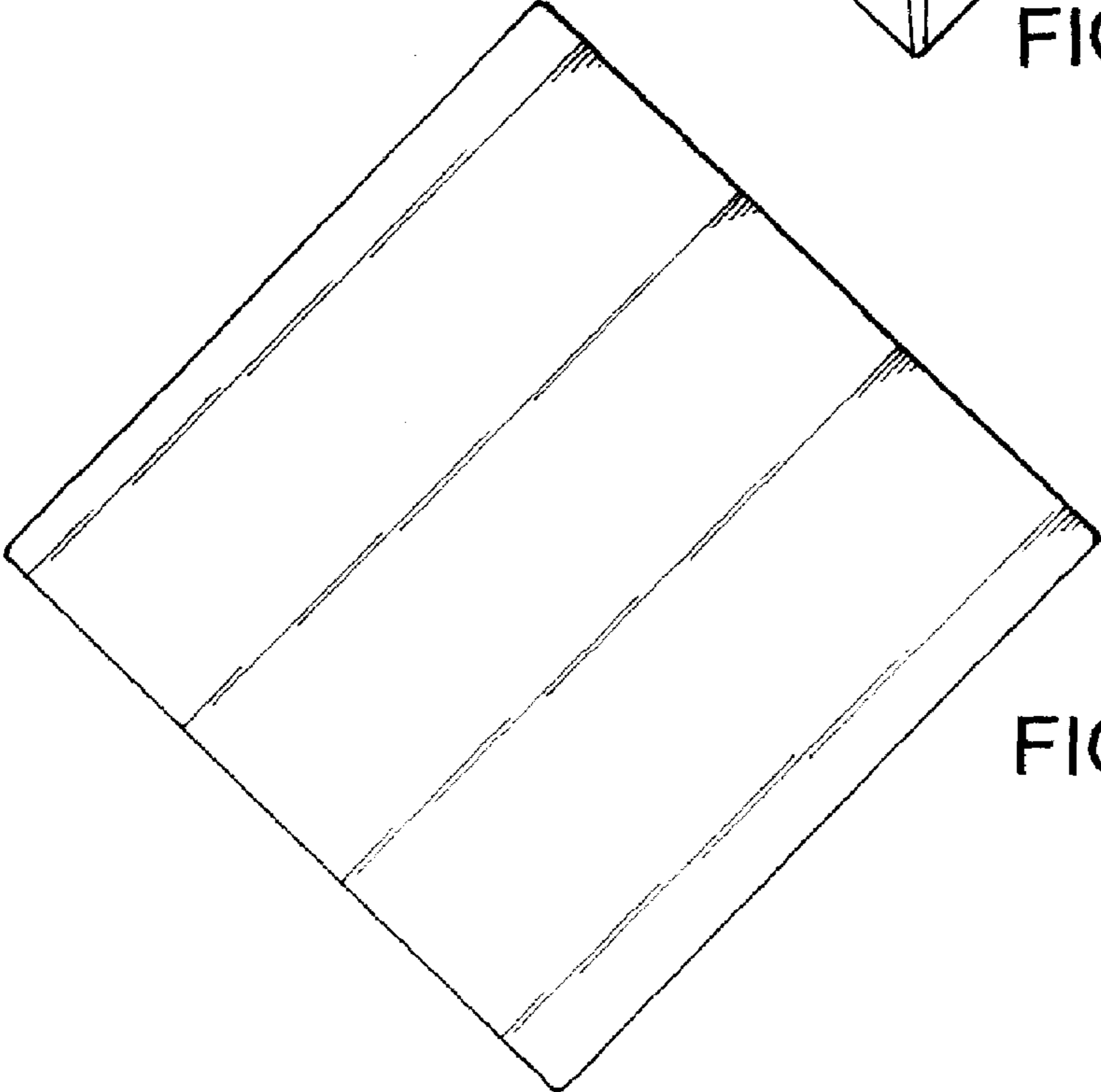


FIG. 3



FIG. 4



FIG. 5



FIG. 6



FIG. 7

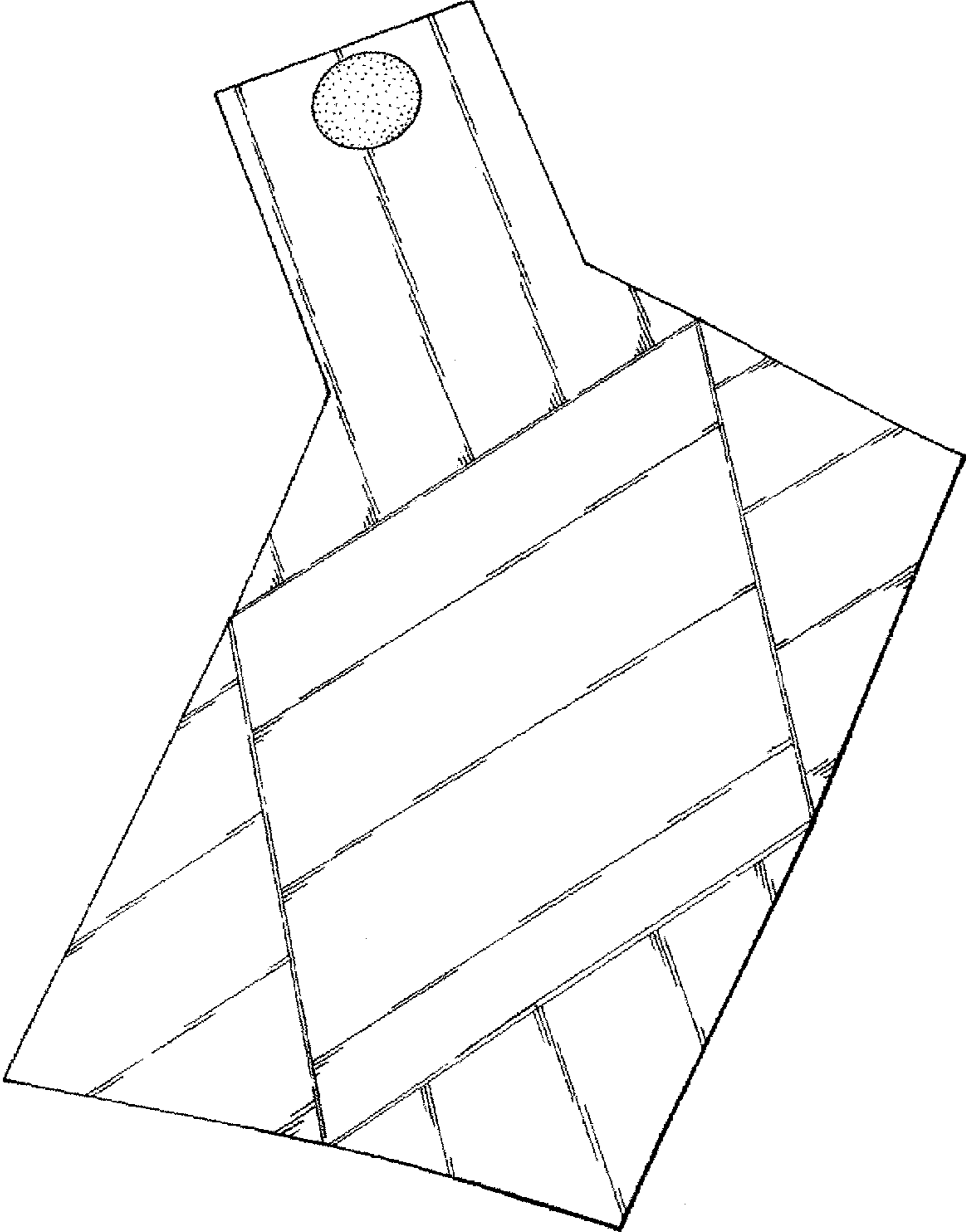


FIG.8

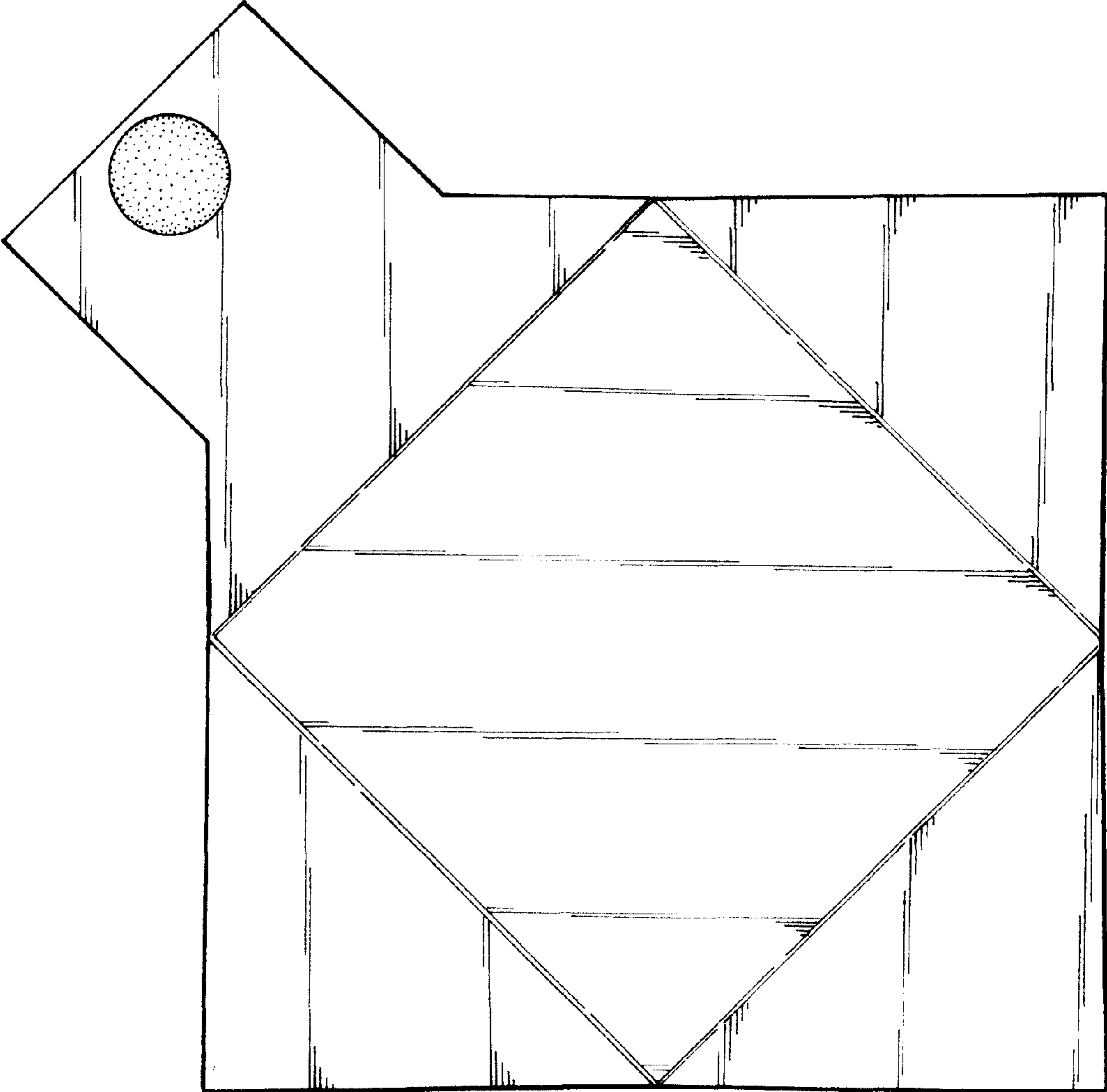


FIG.9

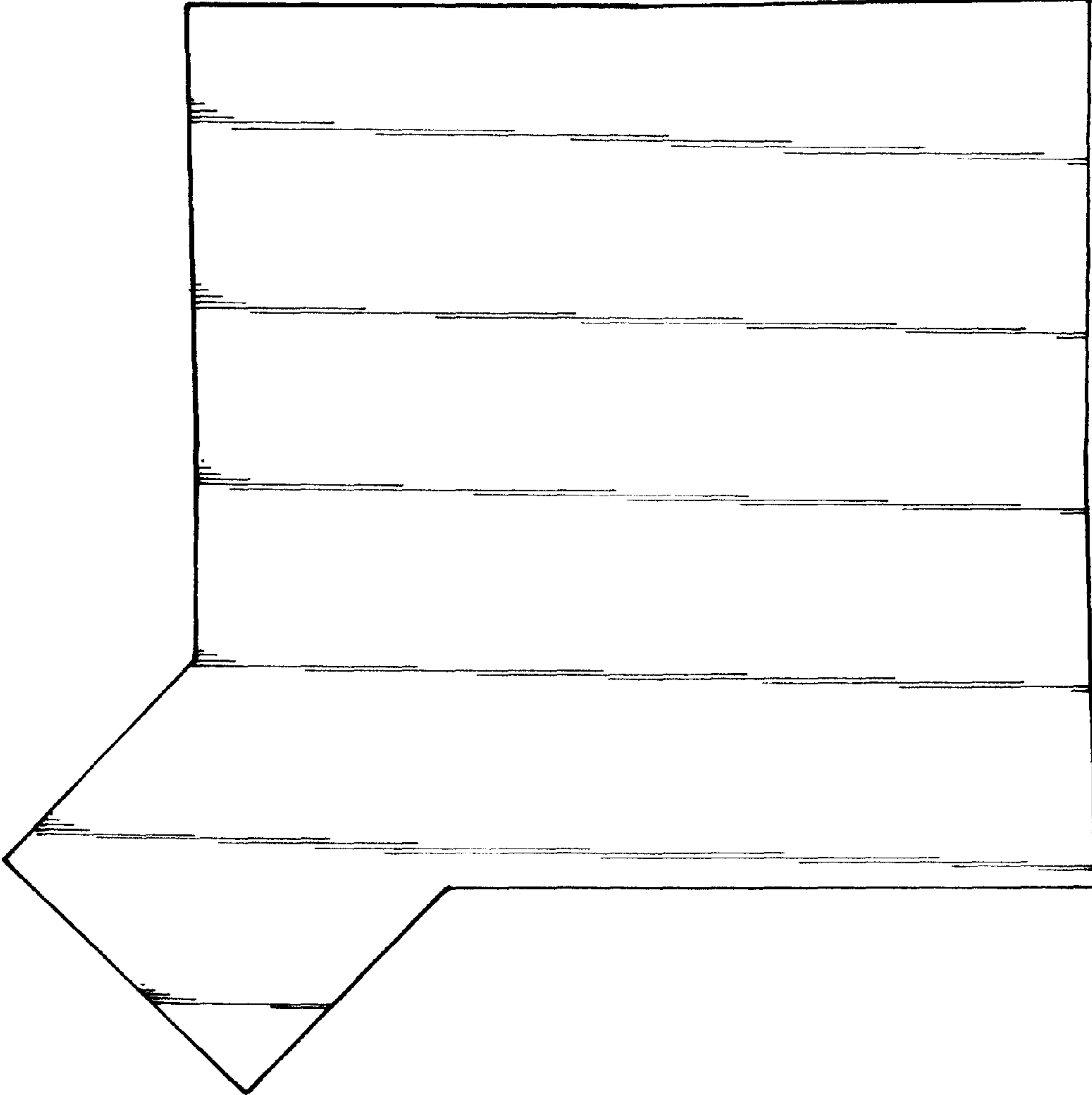


FIG.10

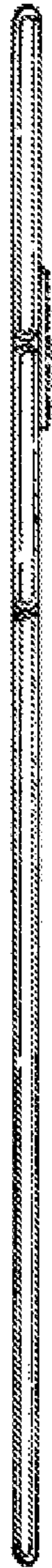


FIG. 11



FIG. 12

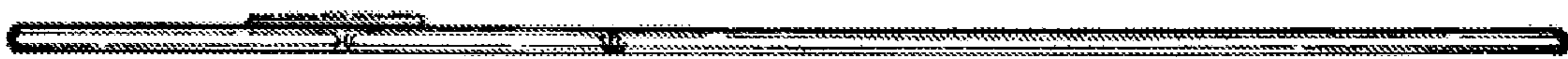


FIG. 13

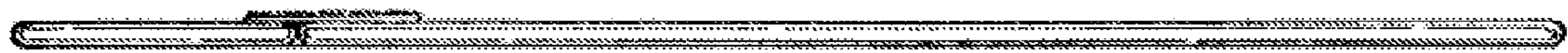


FIG. 14