



US00D606583S

(12) **United States Design Patent**
Kurenuma et al.

(10) **Patent No.:** **US D606,583 S**

(45) **Date of Patent:** **** *Dec. 22, 2009**

(54) **TONER CARTRIDGE HOLDER**

(75) Inventors: **Takeroh Kurenuma**, Kanagawa (JP);
Nobuyuki Taguchi, Kanagawa (JP);
Masayuki Yamane, Kanagawa (JP);
Takayasu Nakao, Tokyo (JP)

(73) Assignee: **Ricoh Company, Ltd.**, Tokyo (JP)

(*) Notice: This patent is subject to a terminal disclaimer.

(**) Term: **14 Years**

(21) Appl. No.: **29/269,849**

(22) Filed: **Dec. 11, 2006**

(30) **Foreign Application Priority Data**

Jun. 13, 2006 (JP) 2006-015259

(51) **LOC (9) Cl.** **16-03**

(52) **U.S. Cl.** **D18/43**

(58) **Field of Classification Search** D13/182;
D14/230, 462, 471, 474-477, 481-484; D18/12,
D18/36, 40, 43, 44, 56; 222/DIG. 1; 347/49,
347/214, 222; 399/24-27, 107-111; 400/194,
400/196, 205, 207, 242
See application file for complete search history.

(56) **References Cited**

U.S. PATENT DOCUMENTS

D532,037 S * 11/2006 Tsuda et al. D18/43
2003/0133722 A1 * 7/2003 Kaiho 399/27
2006/0204276 A1 * 9/2006 Takuwa 399/110

2007/0003296 A1 * 1/2007 Miyata 399/27
2007/0122166 A1 * 5/2007 Takahashi et al. 399/24
2007/0122167 A1 * 5/2007 Sugiyama et al. 399/24
2007/0212119 A1 * 9/2007 Kurenuma et al. 399/262
2007/0217798 A1 * 9/2007 Tsuji et al. 399/27
2007/0223947 A1 * 9/2007 Ohkawa et al. 399/27

* cited by examiner

Primary Examiner—Caron Veynar

Assistant Examiner—Garth Rademaker

(74) *Attorney, Agent, or Firm*—Dickstein Shapiro LLP

(57) **CLAIM**

The ornamental design for a toner cartridge holder, as shown and described.

DESCRIPTION

FIG. 1 is a front elevation view of a toner cartridge holder according to the present invention;

FIG. 2 is a rear elevation view thereof;

FIG. 3 is a top plan view thereof;

FIG. 4 is a bottom plan view thereof;

FIG. 5 is a right side elevation view thereof;

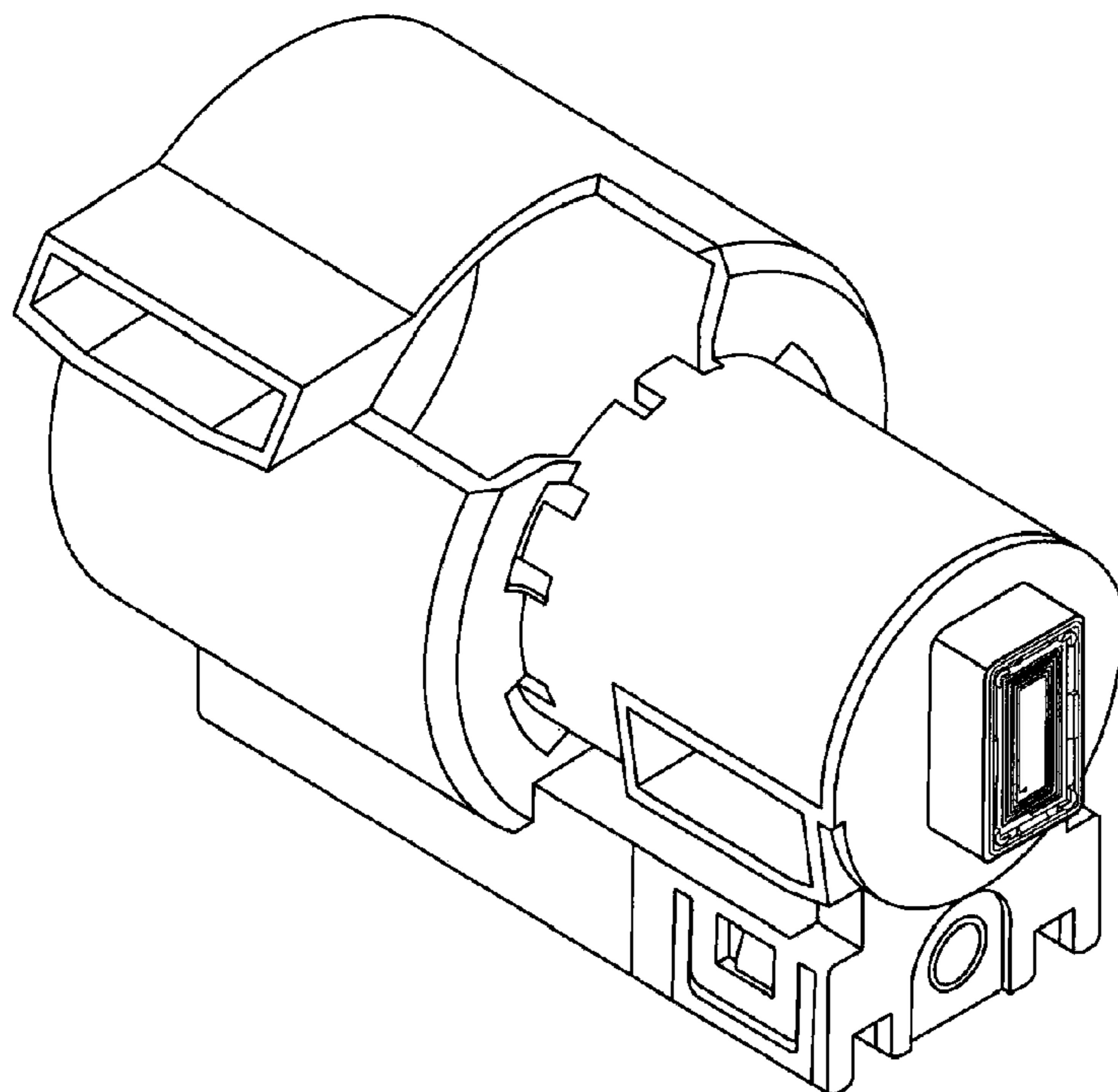
FIG. 6 is a left side elevation view thereof;

FIG. 7 is a top, front and right side perspective view thereof; and,

FIG. 8 is a right side elevation view thereof, showing a portion of the design at an enlarged scale.

The broken lines depict environmental subject matter only and form no part of the claimed design.

1 Claim, 4 Drawing Sheets



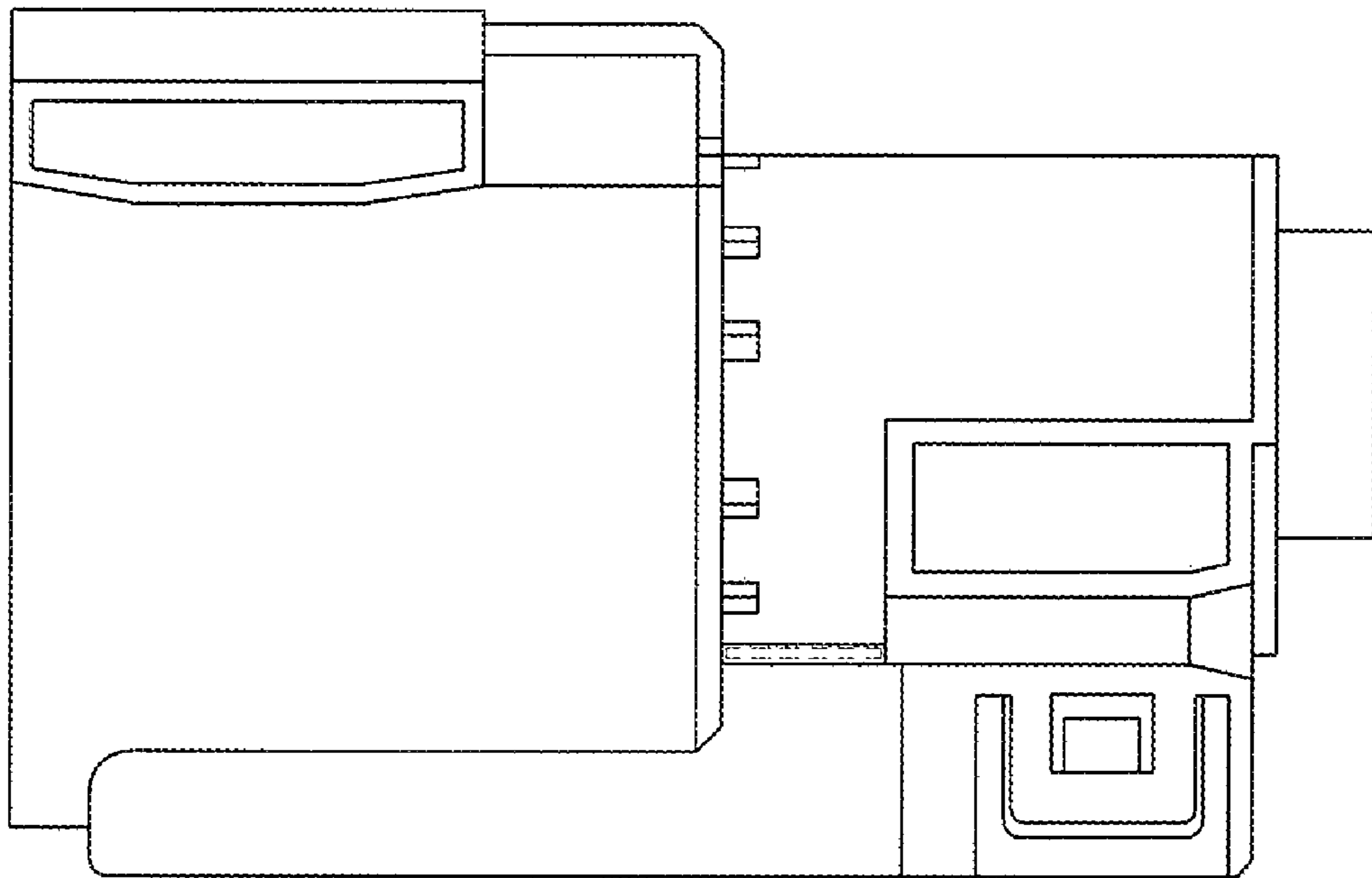


FIG. 1

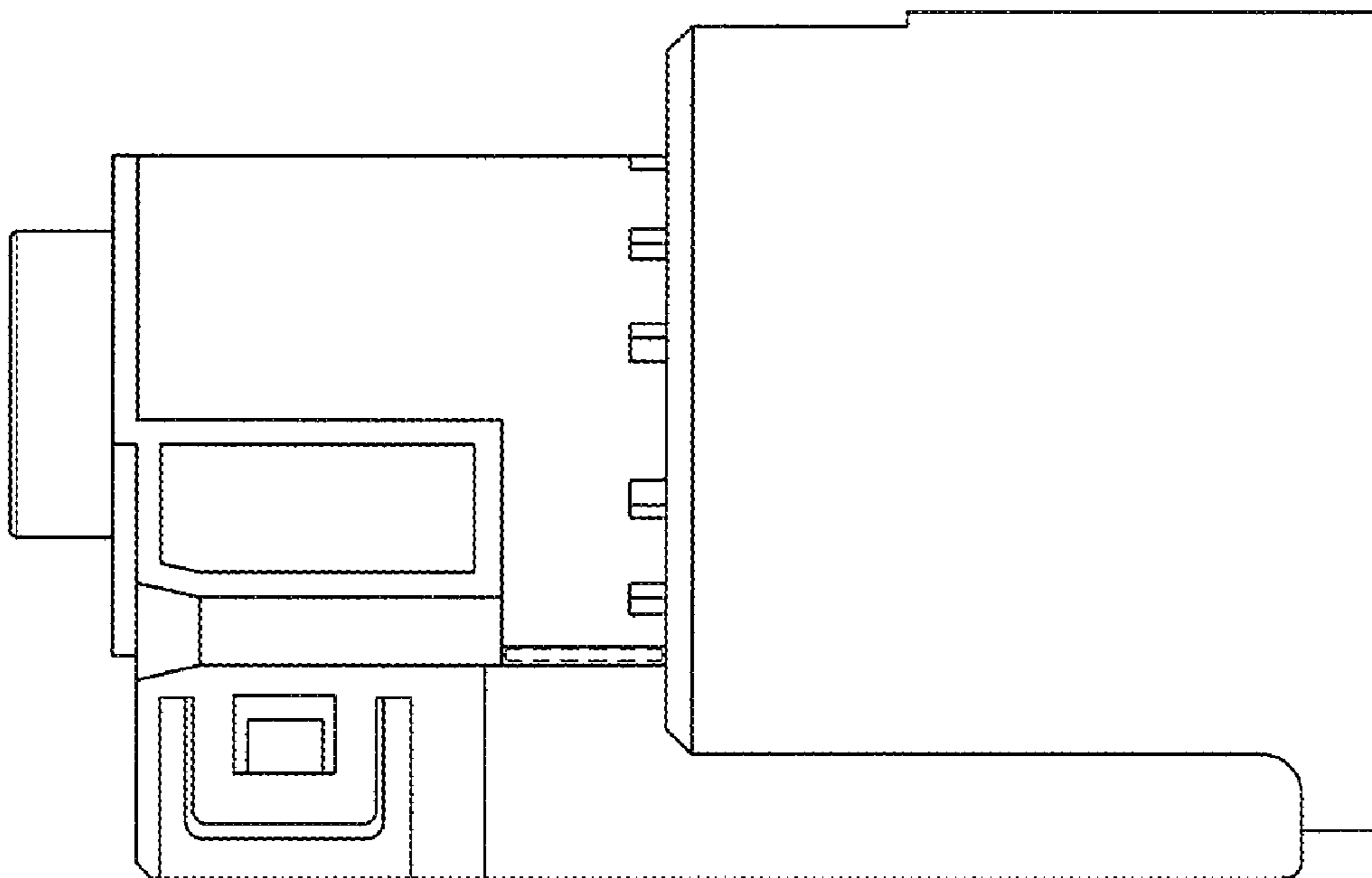


FIG. 2

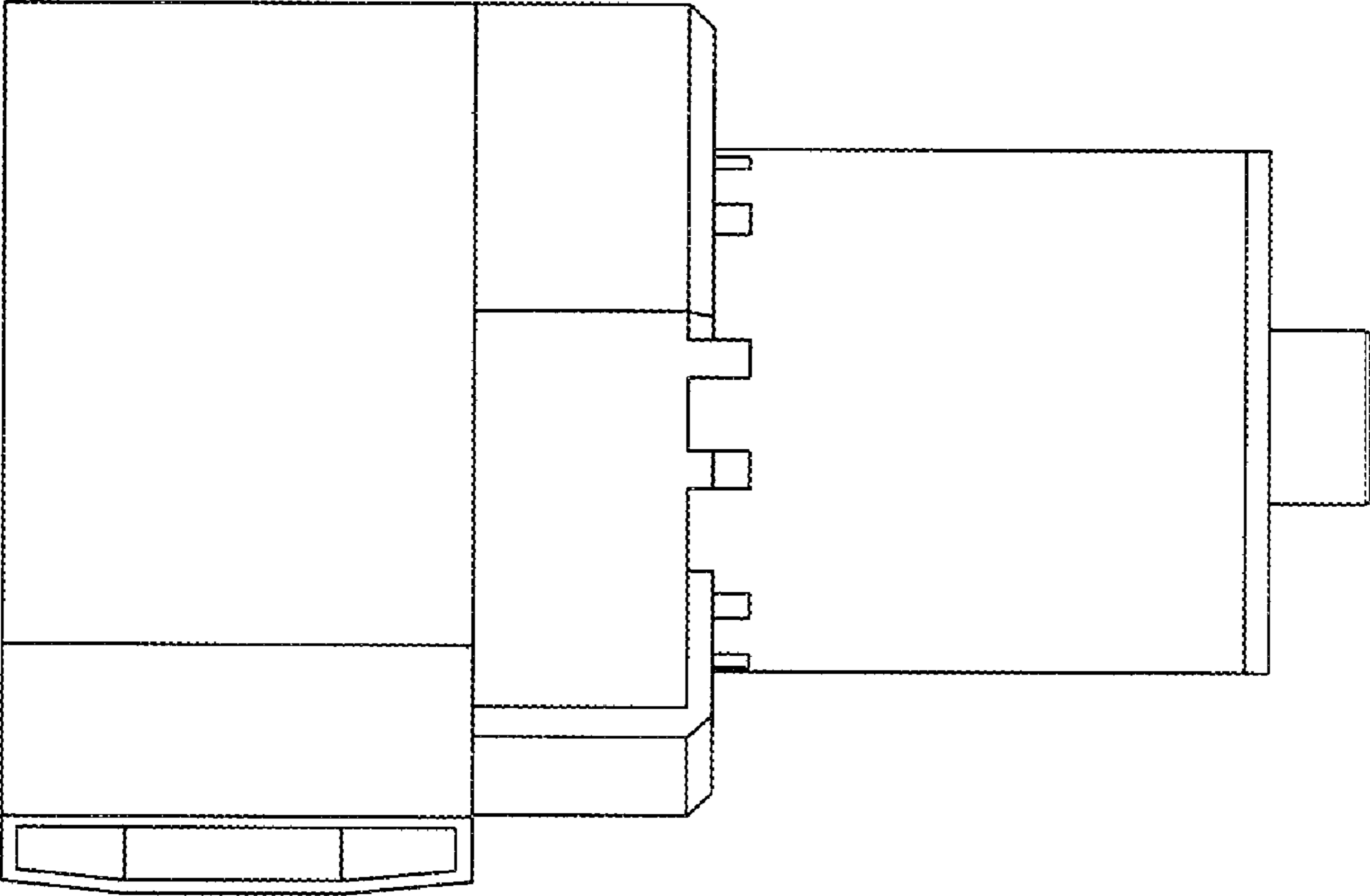


FIG. 3

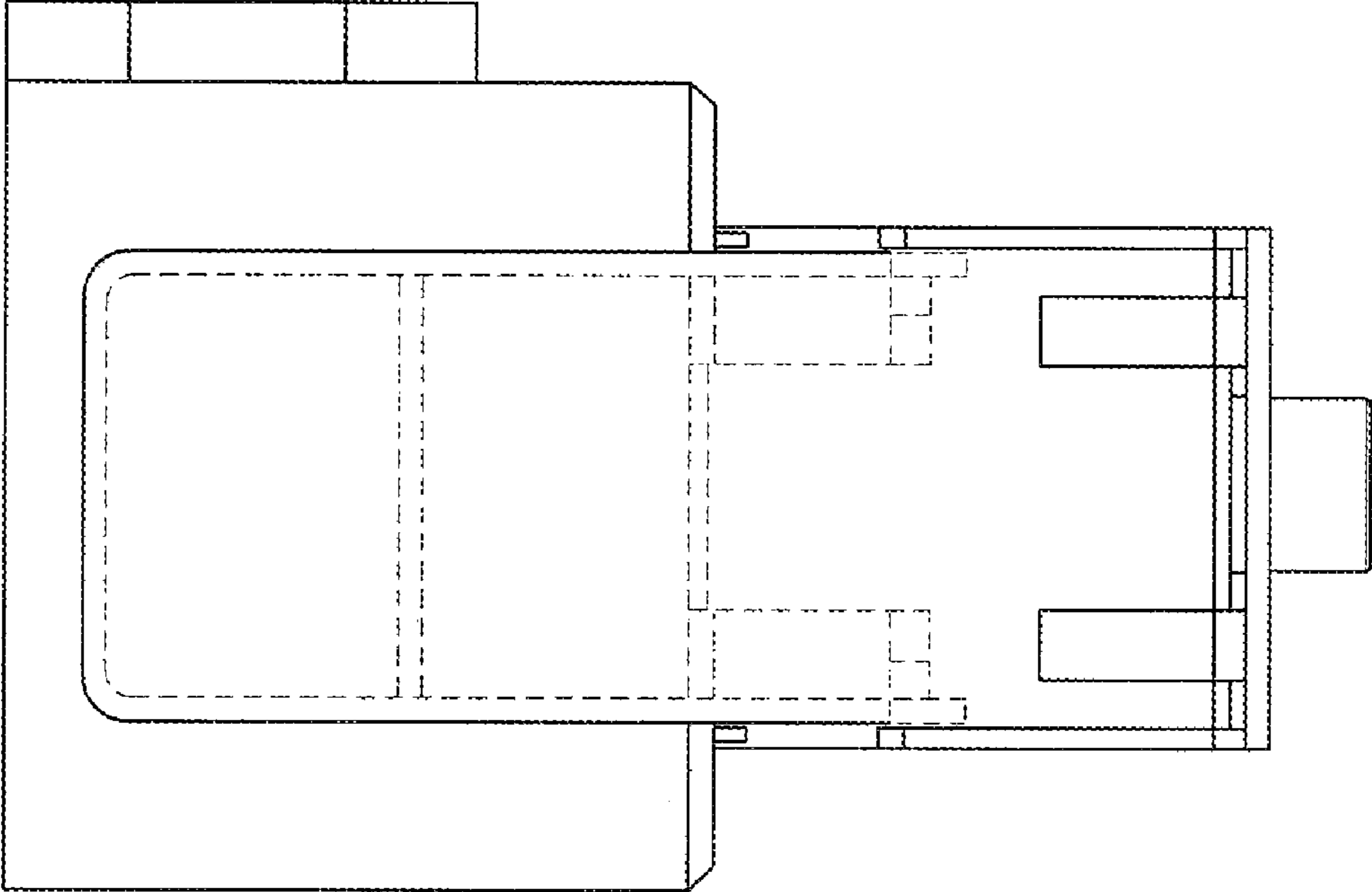


FIG. 4

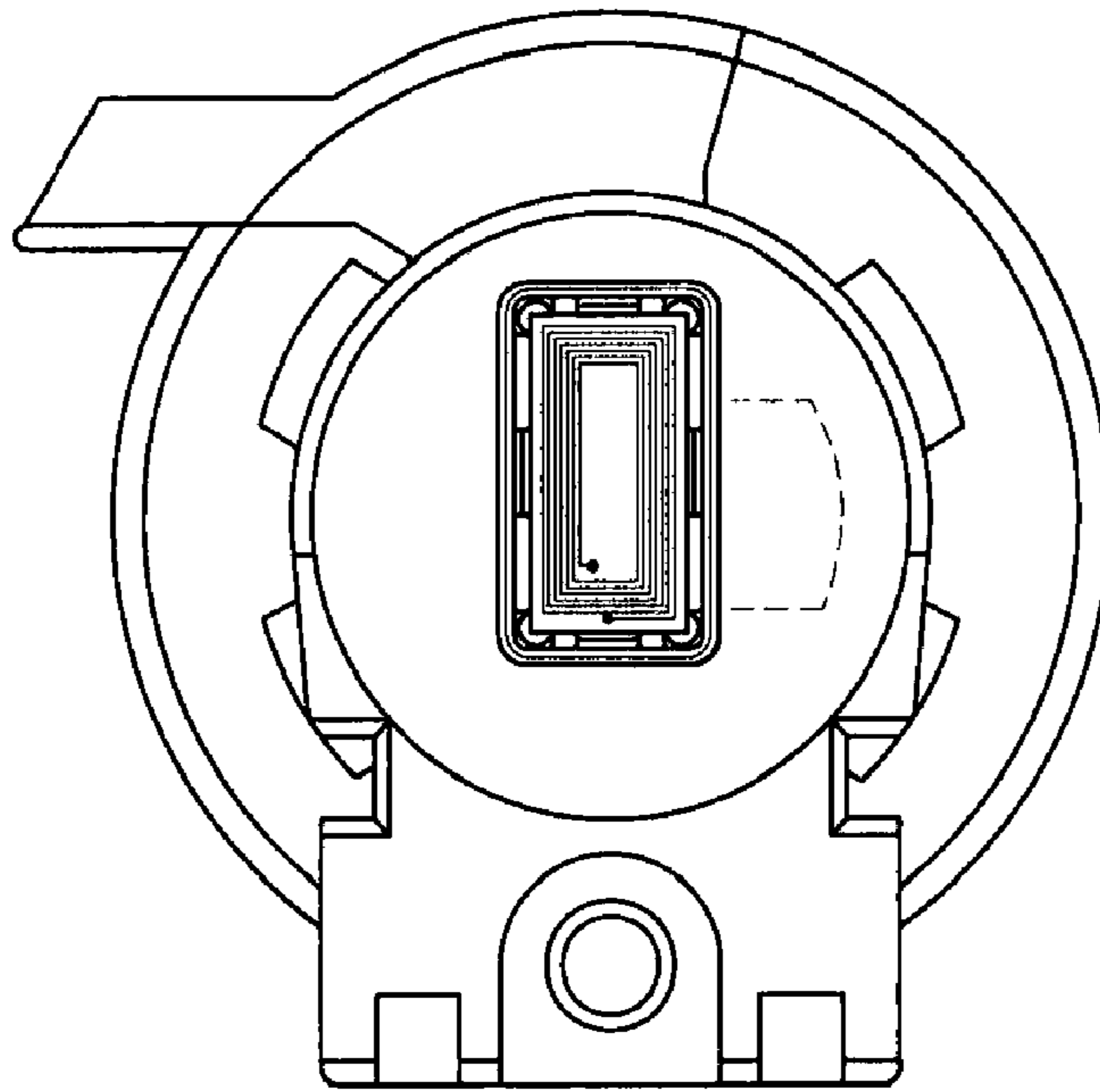


FIG. 5

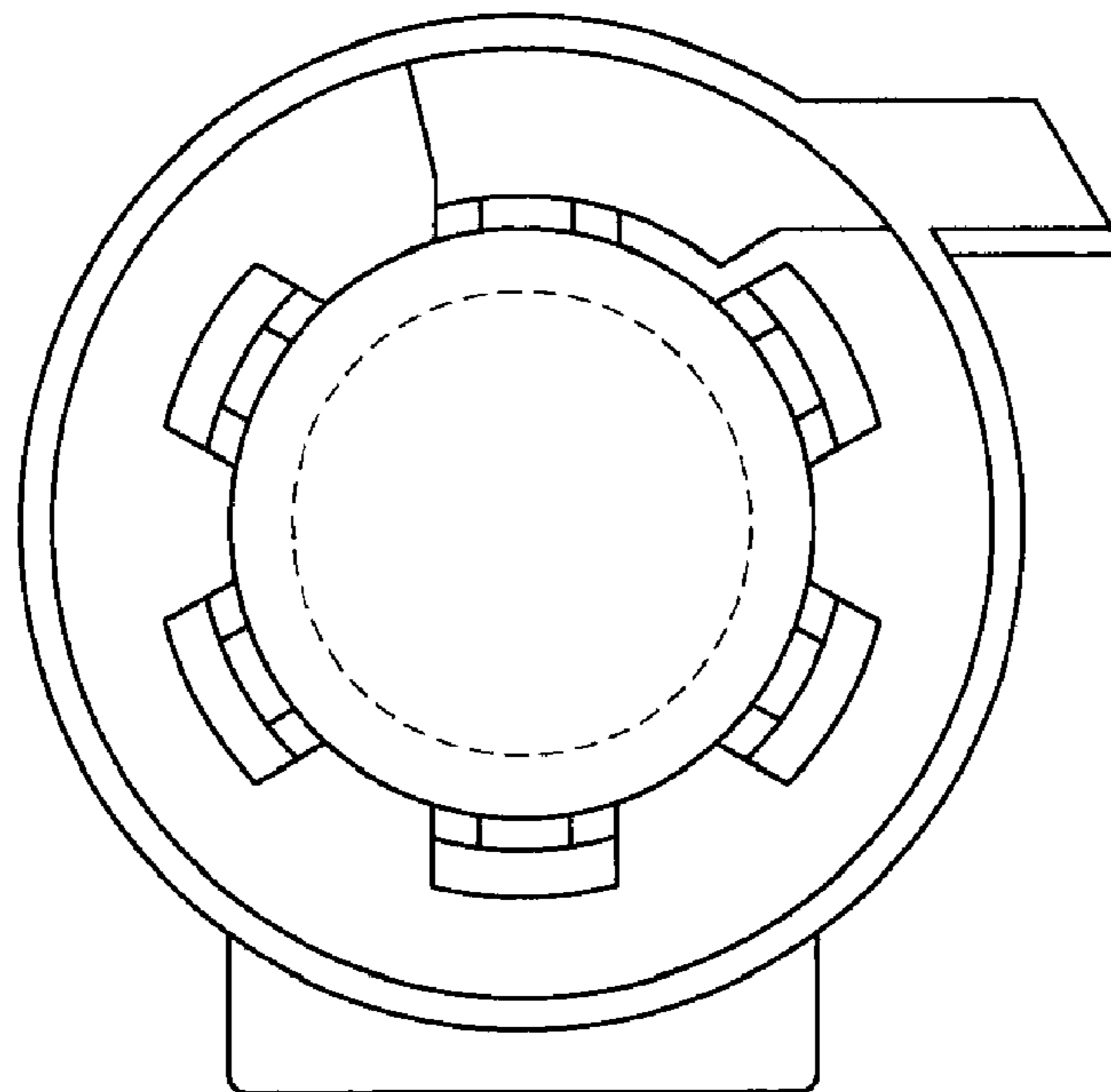


FIG. 6

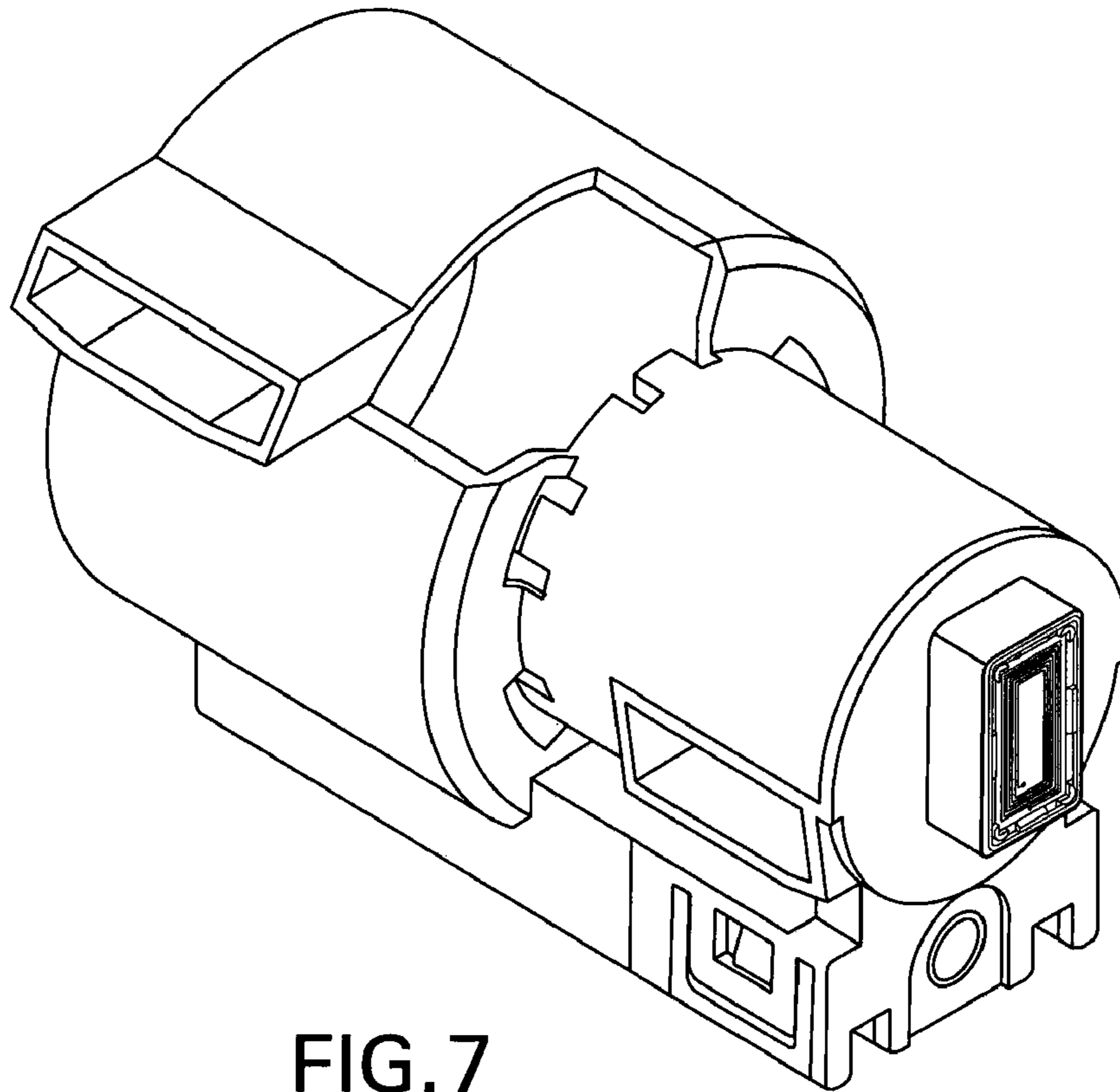


FIG. 7

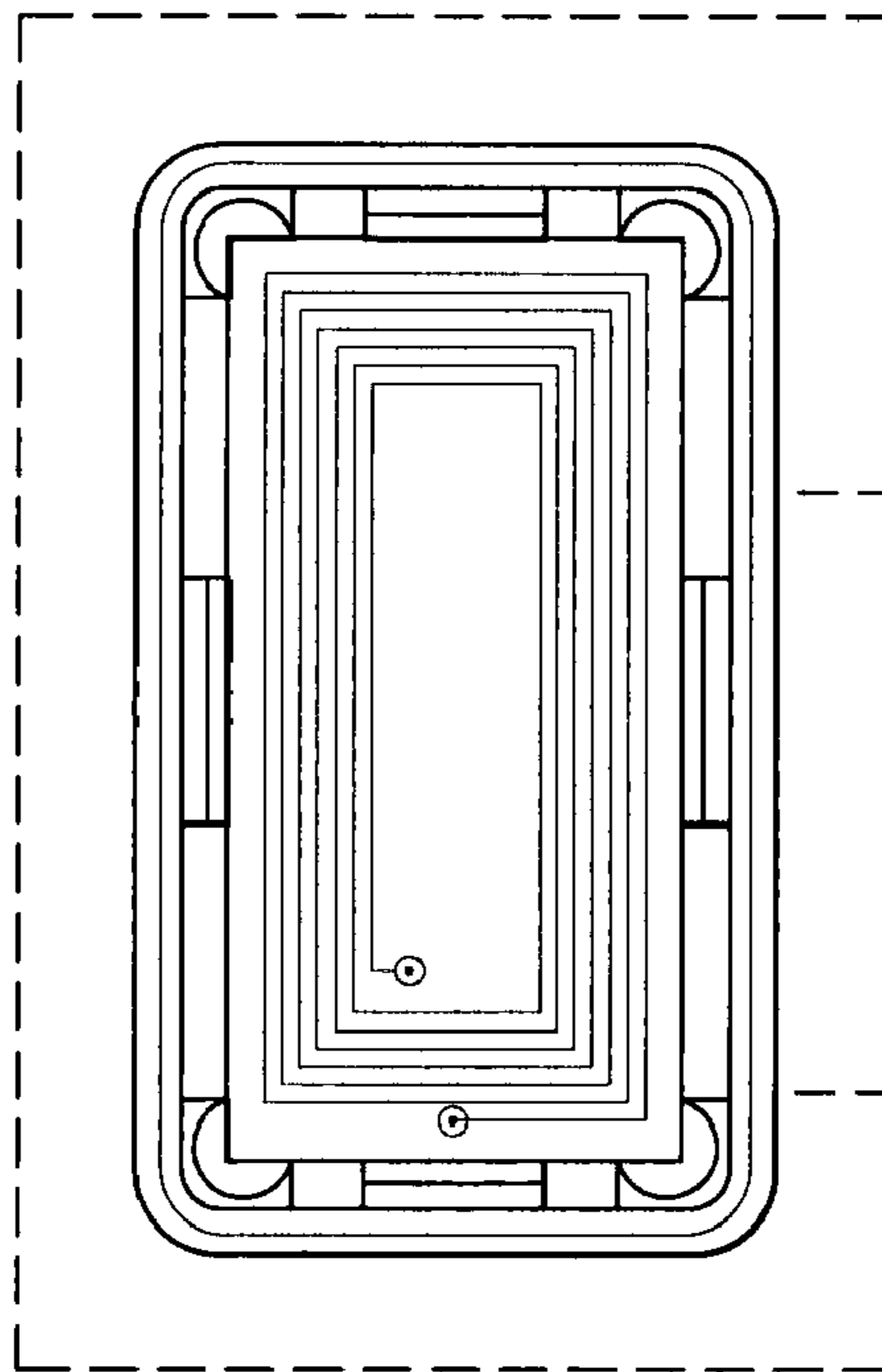


FIG. 8