



US00D606576S

(12) **United States Design Patent**
Chou

(10) **Patent No.:** **US D606,576 S**

(45) **Date of Patent:** **** Dec. 22, 2009**

(54) **FRAME FOR SPECTACLES**

(75) Inventor: **Wen-Hsiung Chou**, Tainan Hsien (TW)

(73) Assignee: **Hsien Chang Optical Industrial Co., Ltd.**, Tainan Hsien (TW)

(**) Term: **14 Years**

(21) Appl. No.: **29/311,321**

(22) Filed: **Feb. 19, 2009**

(51) **LOC (9) Cl.** **16-06**

(52) **U.S. Cl.** **D16/315; D16/314**

(58) **Field of Classification Search** D16/101,
D16/300-342; D29/109-110; D24/110.2;
351/41, 44, 51-52, 62, 158, 92, 103-123,
351/140, 153, 45-46; 2/426-432, 447-449,
2/441, 434-437, 13, 15; D21/483, 659-661
See application file for complete search history.

(56) **References Cited**

U.S. PATENT DOCUMENTS

D407,427 S *	3/1999	Matera	D16/315
D452,522 S *	12/2001	Chiou	D16/330
D536,022 S *	1/2007	Fuchs	D16/327
D544,016 S *	6/2007	Fuchs	D16/314
D546,868 S *	7/2007	Teng	D16/314
D556,240 S *	11/2007	Fuchs	D16/314

D568,366 S *	5/2008	Chen	D16/315
D574,411 S *	8/2008	Chen	D16/315
D582,959 S *	12/2008	Yang	D16/315
D584,759 S *	1/2009	Yang	D16/315

* cited by examiner

Primary Examiner—Raphael Barkai

(74) *Attorney, Agent, or Firm*—Rosenberg, Klein & Lee

(57) **CLAIM**

The ornamental design for a frame for spectacles, as shown and described.

DESCRIPTION

FIG. 1 is a perspective view of a frame for spectacles showing my new design;

FIG. 2 is a front elevational view thereof;

FIG. 3 is a rear elevational view thereof;

FIG. 4 is a left side elevational view thereof;

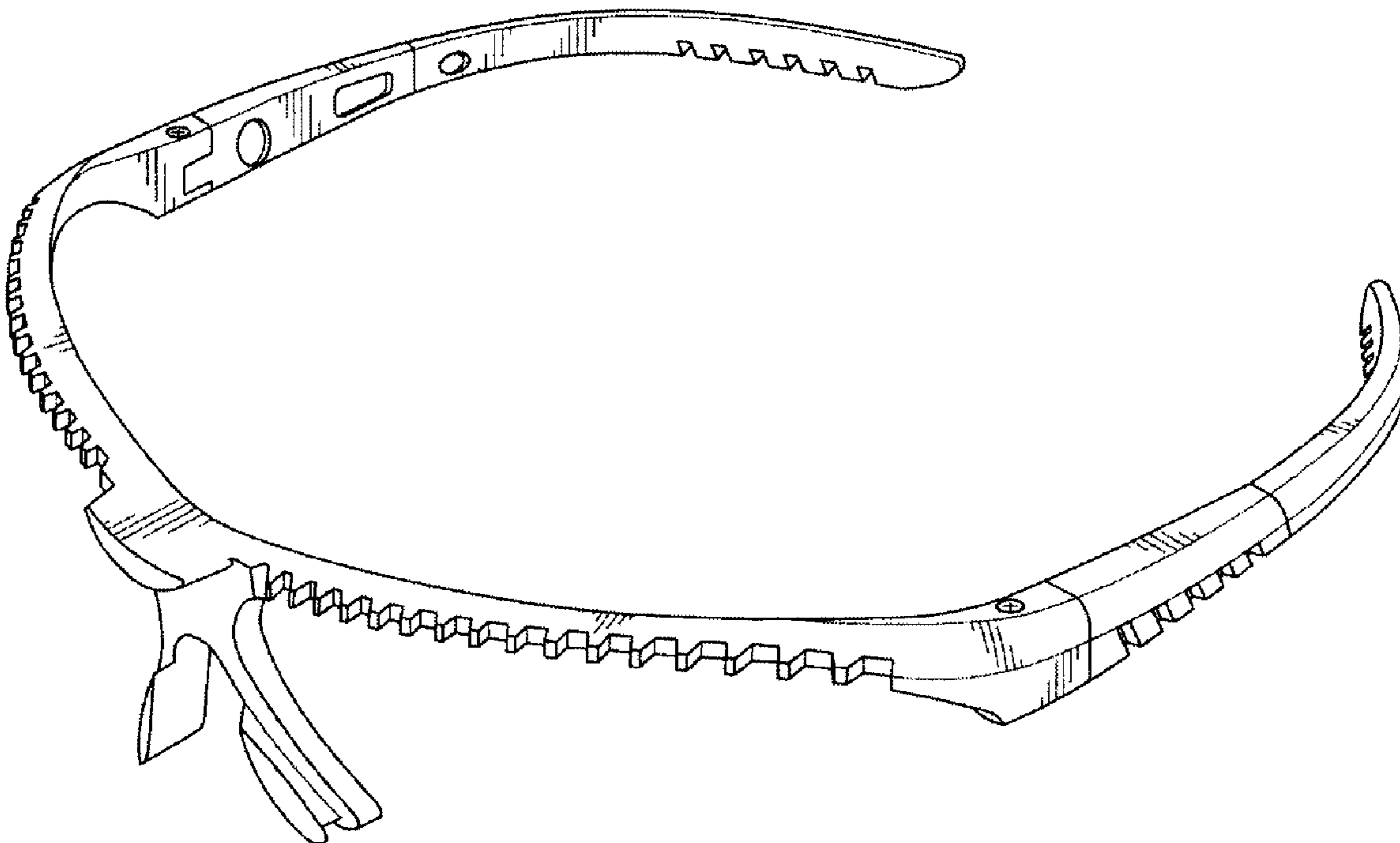
FIG. 5 is a right side elevational view thereof;

FIG. 6 is a top plan view thereof;

FIG. 7 is a bottom plan view thereof; and,

FIG. 8 is a perspective view thereof, wherein the broken line of the frame for spectacles is for illustrative purposes, and forms no part of the claimed design.

1 Claim, 8 Drawing Sheets



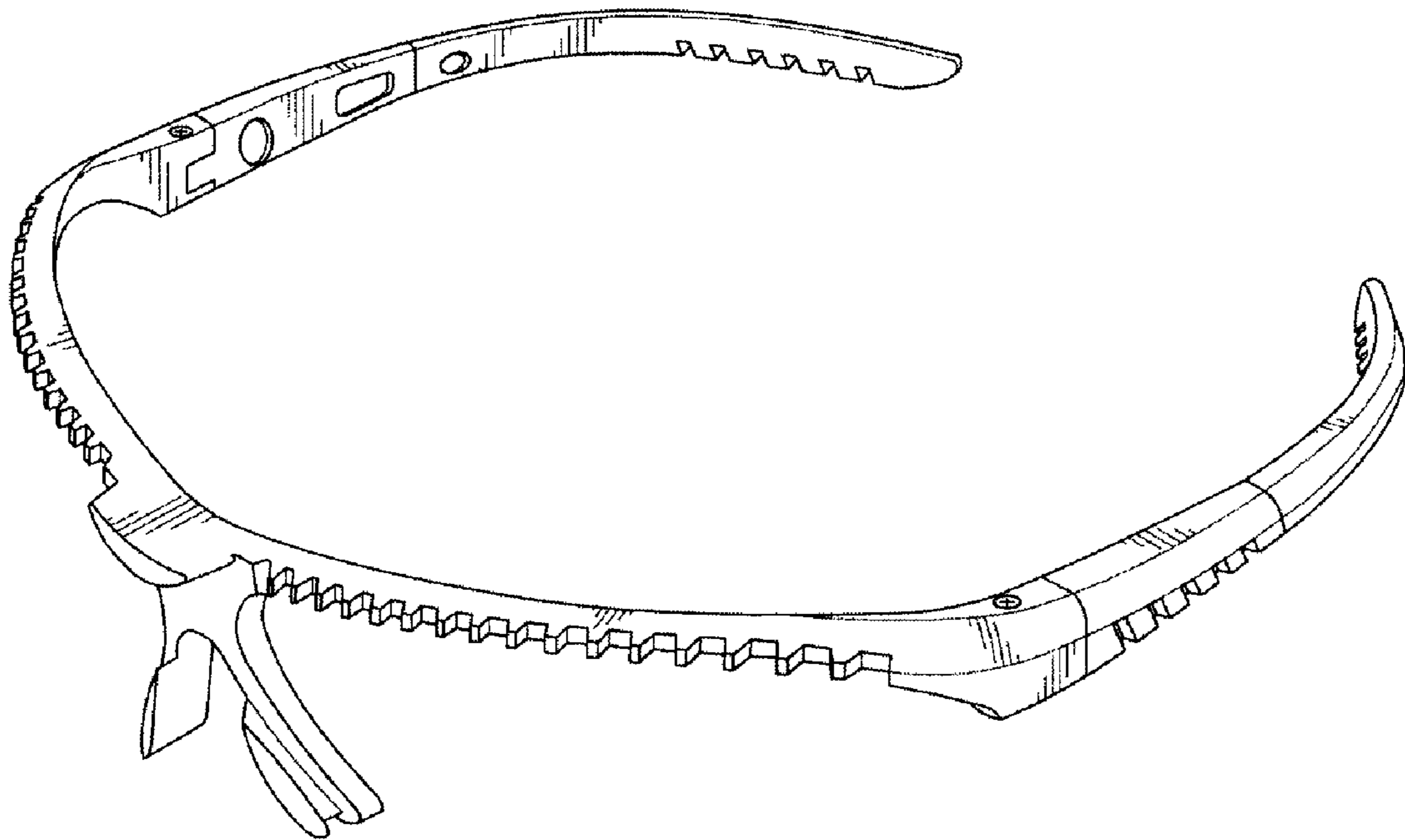


FIG. 1

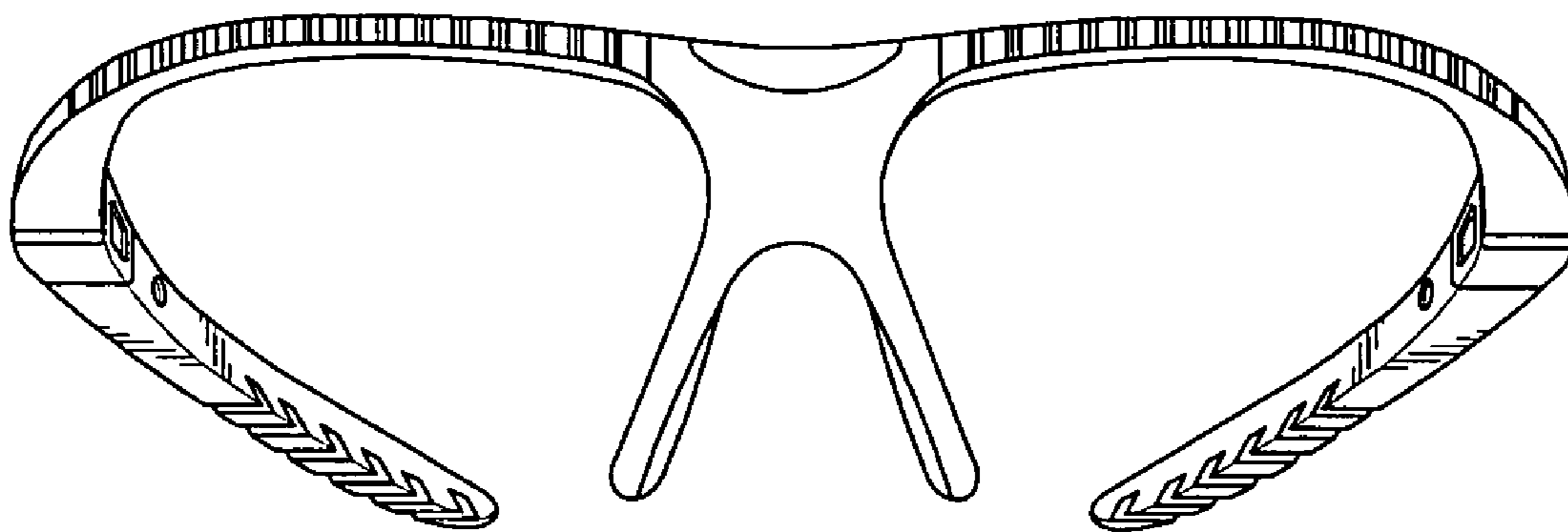


FIG. 2

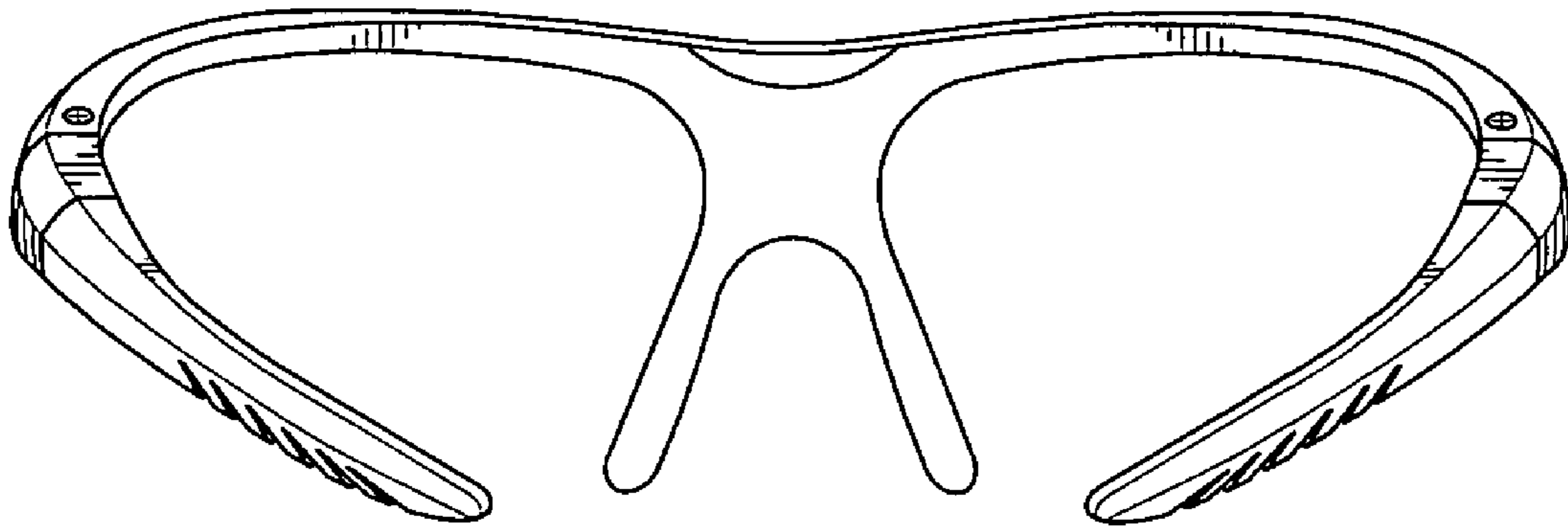


FIG. 3

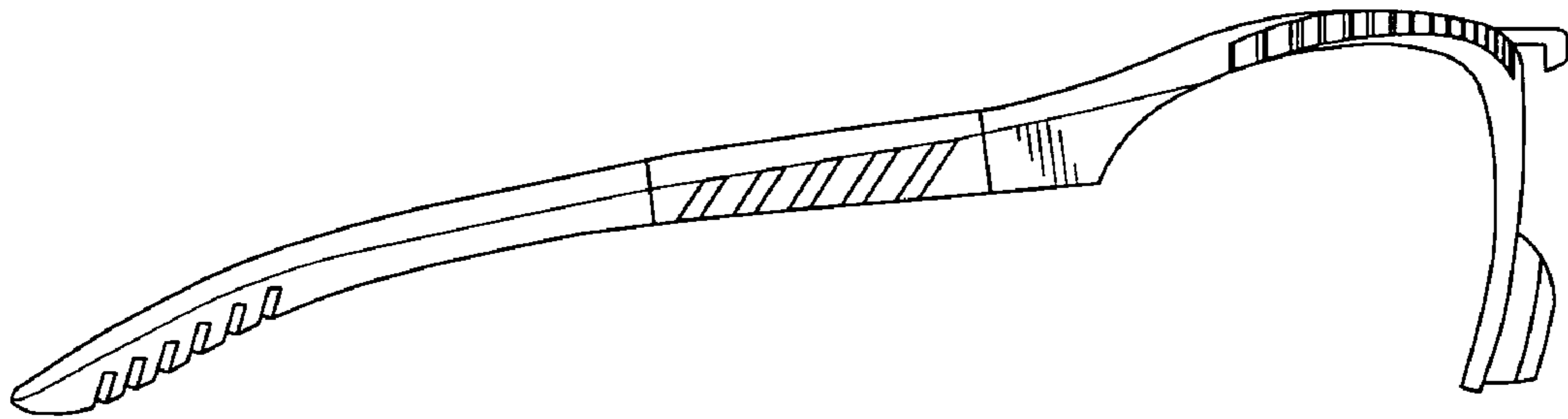


FIG. 4

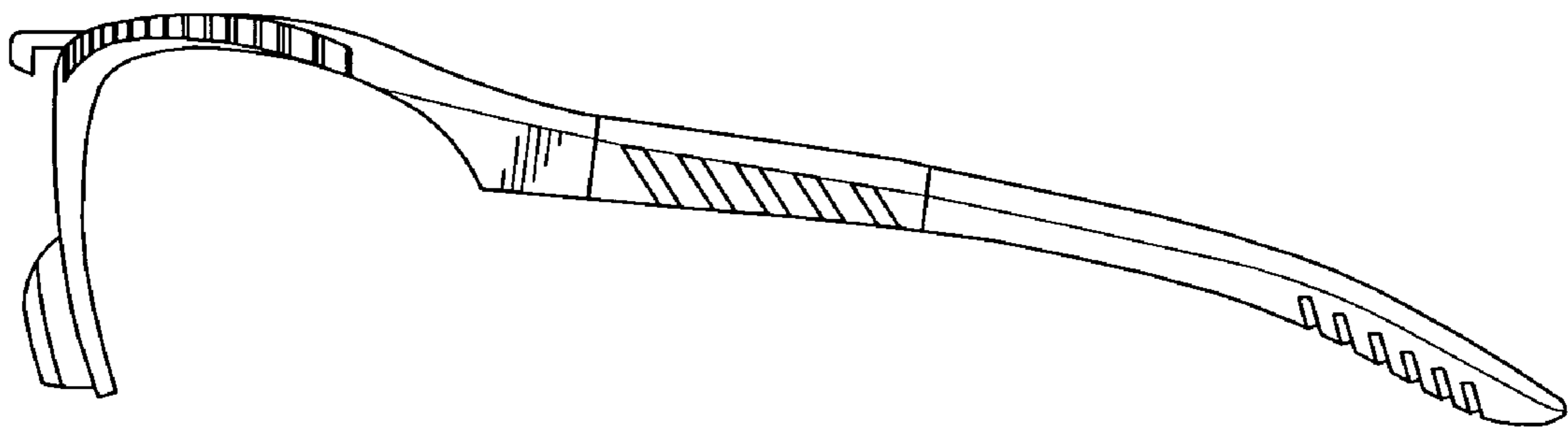


FIG. 5

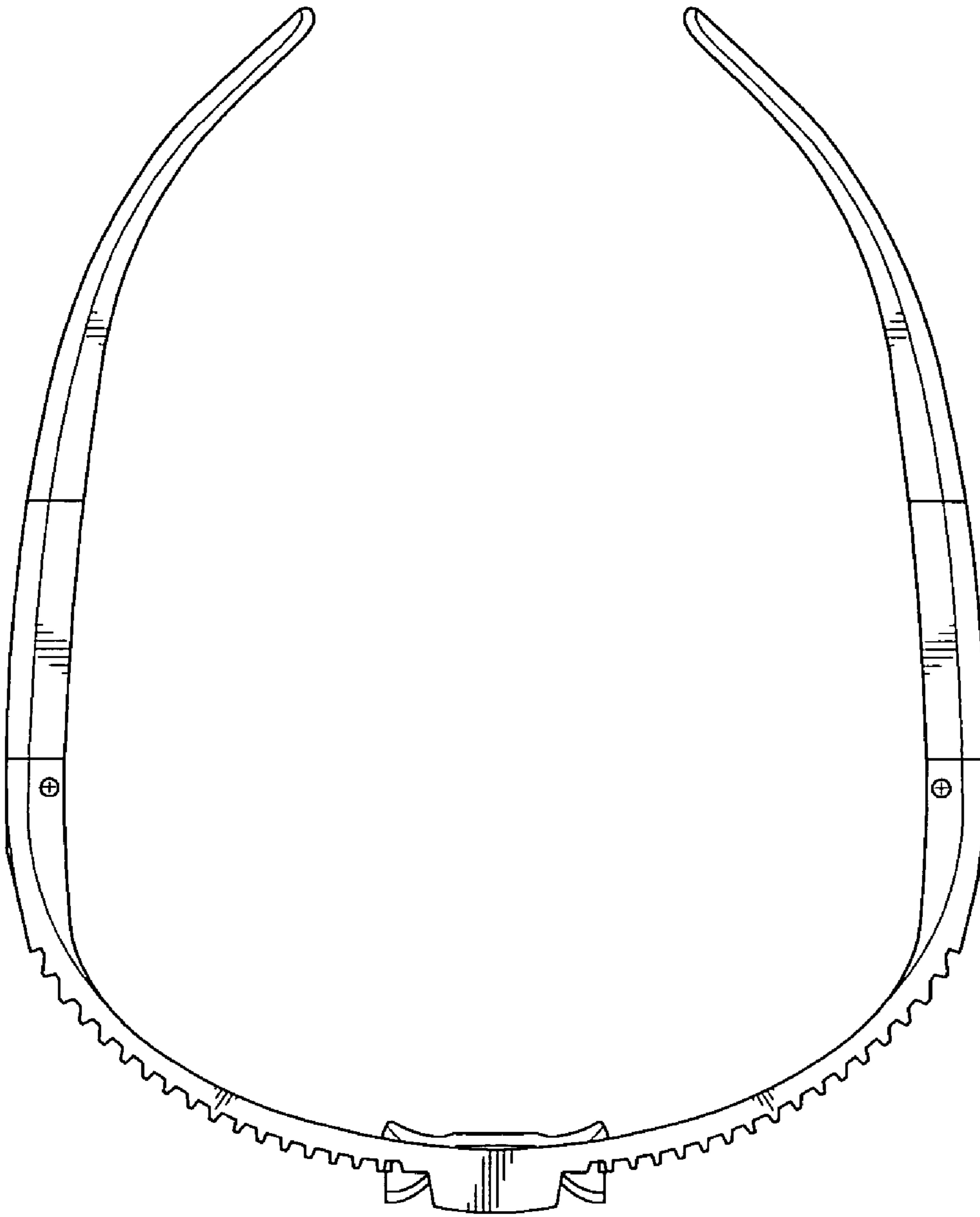


FIG. 6

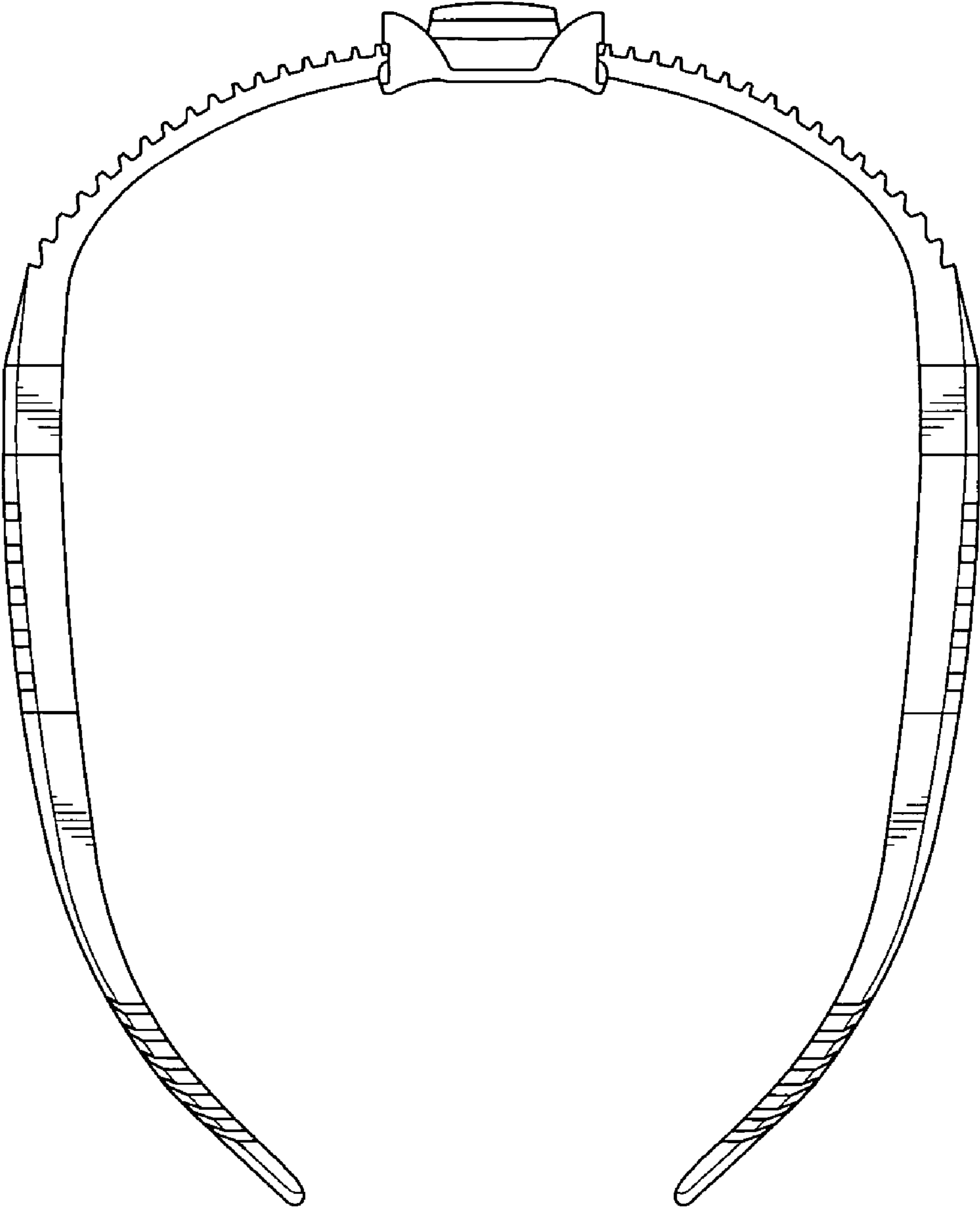


FIG. 7

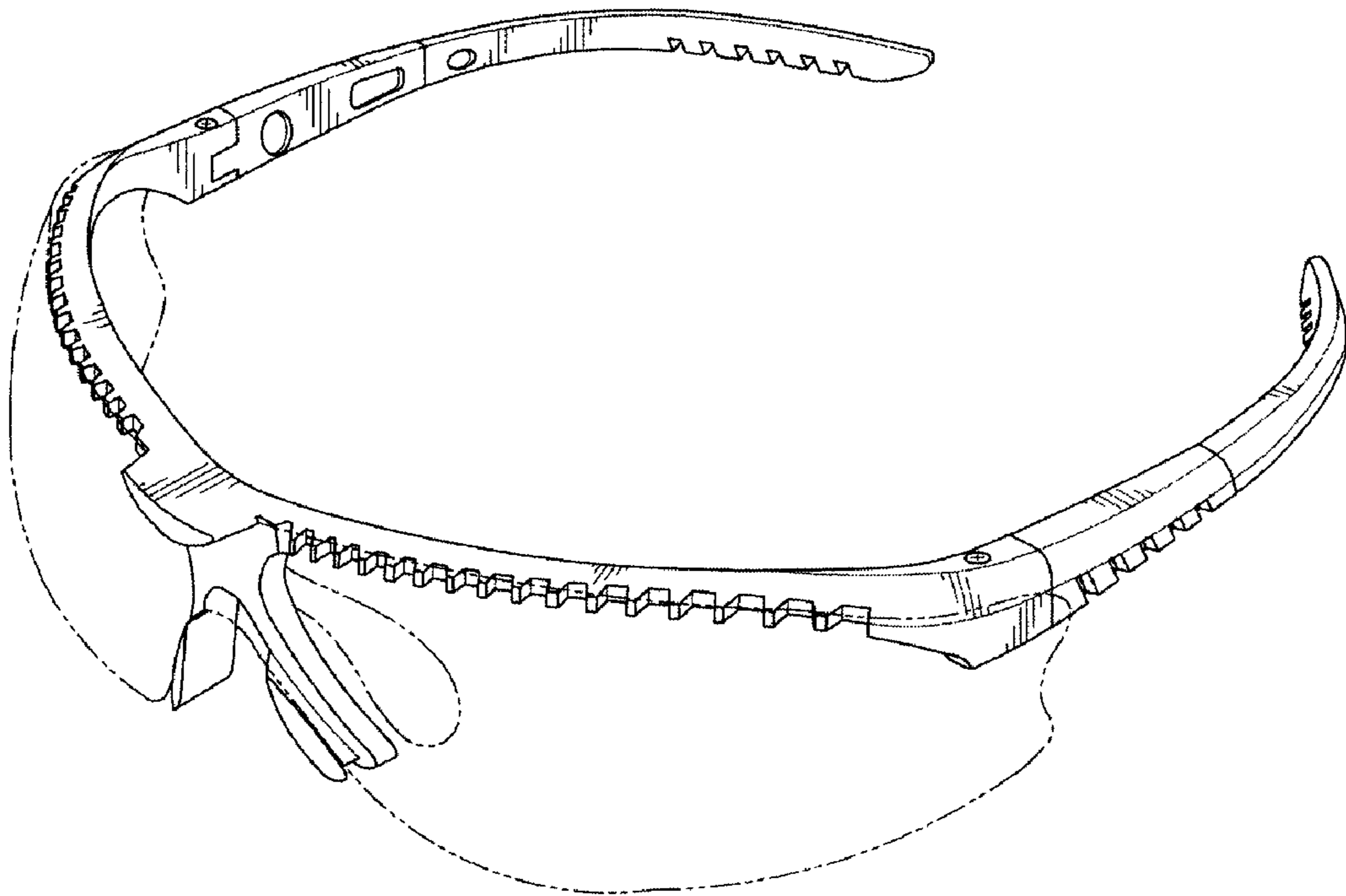


FIG. 8