



US00D606570S

(12) **United States Design Patent**
Subilia

(10) **Patent No.:** **US D606,570 S**

(45) **Date of Patent:** **** Dec. 22, 2009**

(54) **WATCH WINDING MECHANISM**

(75) Inventor: **Philippe Subilia**, Lausanne (CH)

(73) Assignee: **Ideò Tempo SA**, Lausanne (CH)

(**) Term: **14 Years**

(21) Appl. No.: **29/317,062**

(22) Filed: **Apr. 22, 2008**

(30) **Foreign Application Priority Data**

Oct. 22, 2007 (WO) DM/069447

(51) **LOC (9) Cl.** **15-99**

(52) **U.S. Cl.** **D15/199**

(58) **Field of Classification Search** D15/199;
81/7.5; 366/14; 368/10, 206-209

See application file for complete search history.

(56) **References Cited**

U.S. PATENT DOCUMENTS

598,871	A *	2/1898	Agnoff	280/174
2,863,345	A *	12/1958	Fiechter	81/7.5
3,620,007	A *	11/1971	Bonnet	368/206
D455,449	S *	4/2002	Siu	D15/199
6,439,761	B1 *	8/2002	Agnoff	368/206
6,543,929	B1 *	4/2003	Agnoff	368/206
D474,216	S *	5/2003	Siu	D15/199
D492,952	S *	7/2004	Siu	D15/199
6,910,802	B2 *	6/2005	Rustioni	368/206
D511,537	S *	11/2005	Huang	D15/199

6,964,513 B1 * 11/2005 Agnoff 368/206

D512,448 S * 12/2005 Christianson D15/199

D513,568 S * 1/2006 Au D6/470

D520,540 S * 5/2006 Siu D15/199

D543,054 S * 5/2007 Au D6/471

D556,227 S * 11/2007 Au D15/199

2005/0254352 A1 * 11/2005 Wolf et al. 368/206

2008/0247278 A1 * 10/2008 Walker et al. 368/206

* cited by examiner

Primary Examiner—Sandra Snapp

Assistant Examiner—Patricia Palasik

(74) *Attorney, Agent, or Firm*—McGlew and Tuttle, P.C.

(57) **CLAIM**

The ornamental design for a watch winding mechanism, as shown and described.

DESCRIPTION

FIG. 1 is a perspective view of my new watch winding mechanism;

FIG. 2 is a top plan view thereof;

FIG. 3 is a bottom plan view thereof;

FIG. 4 is a front view thereof;

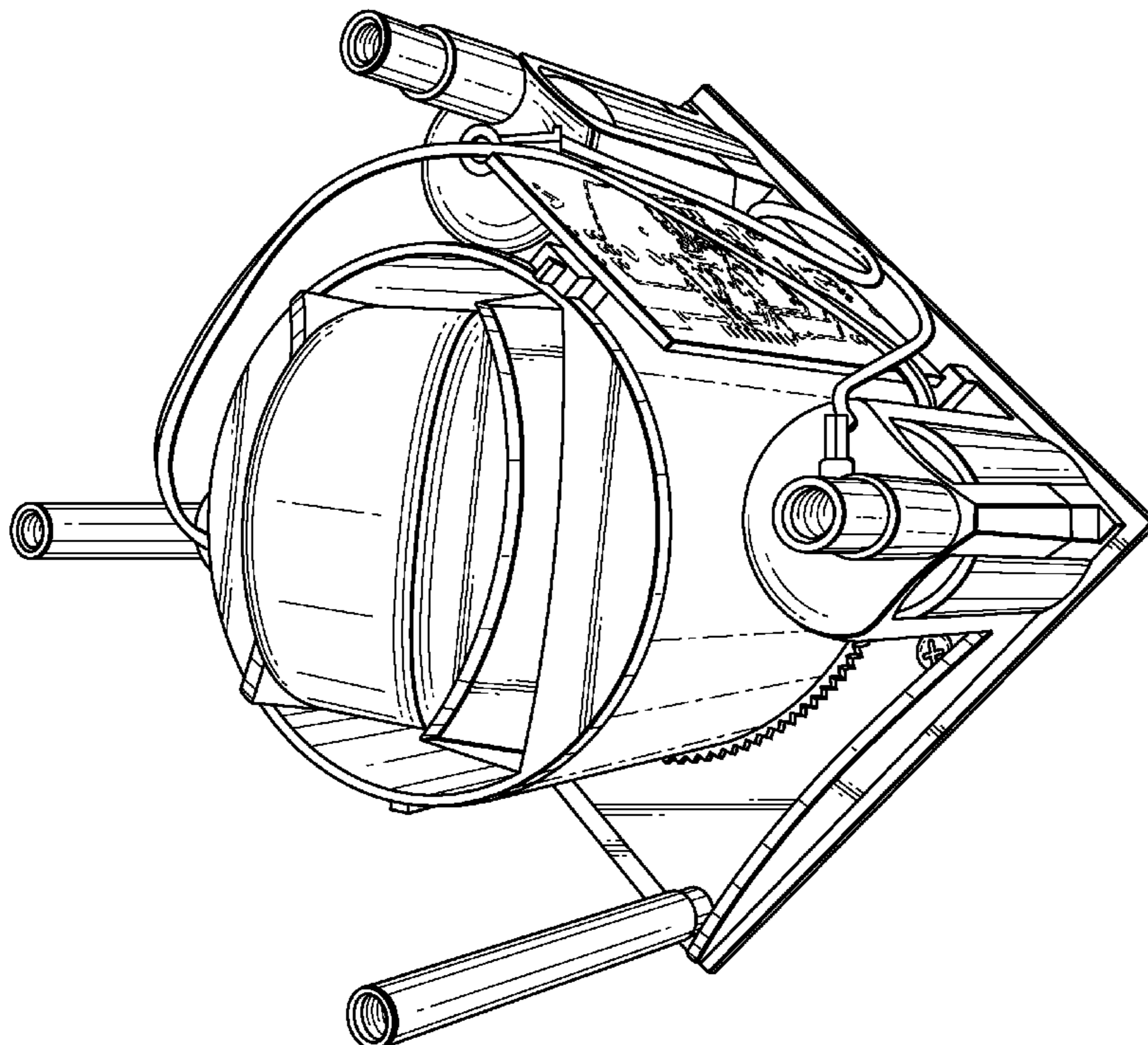
FIG. 5 is a back view thereof;

FIG. 6 is a right elevation view thereof; and,

FIG. 7 is a left elevation view thereof.

The broken lines in the drawings depict unclaimed environmental subject matter.

1 Claim, 7 Drawing Sheets



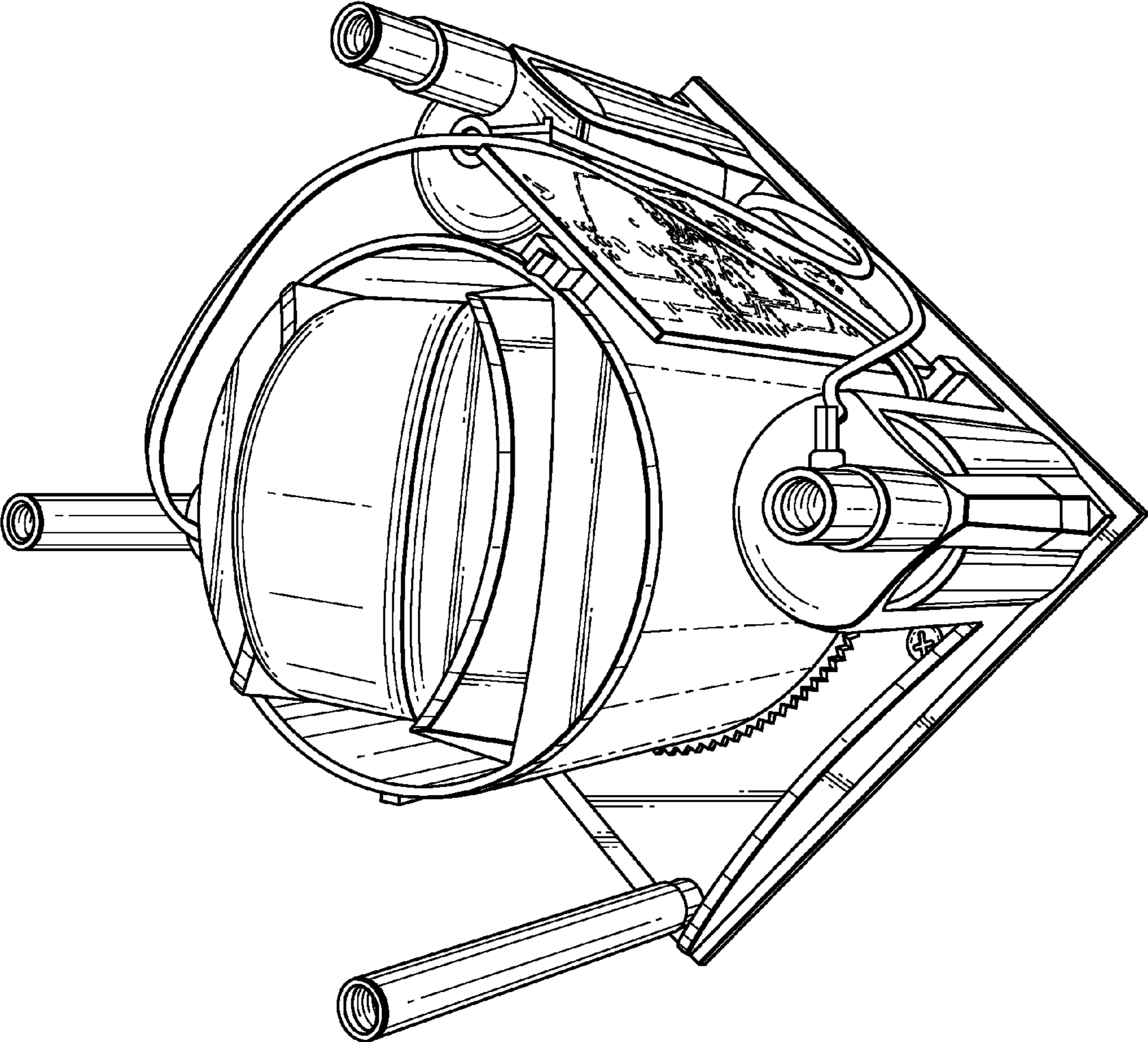


FIG. 1

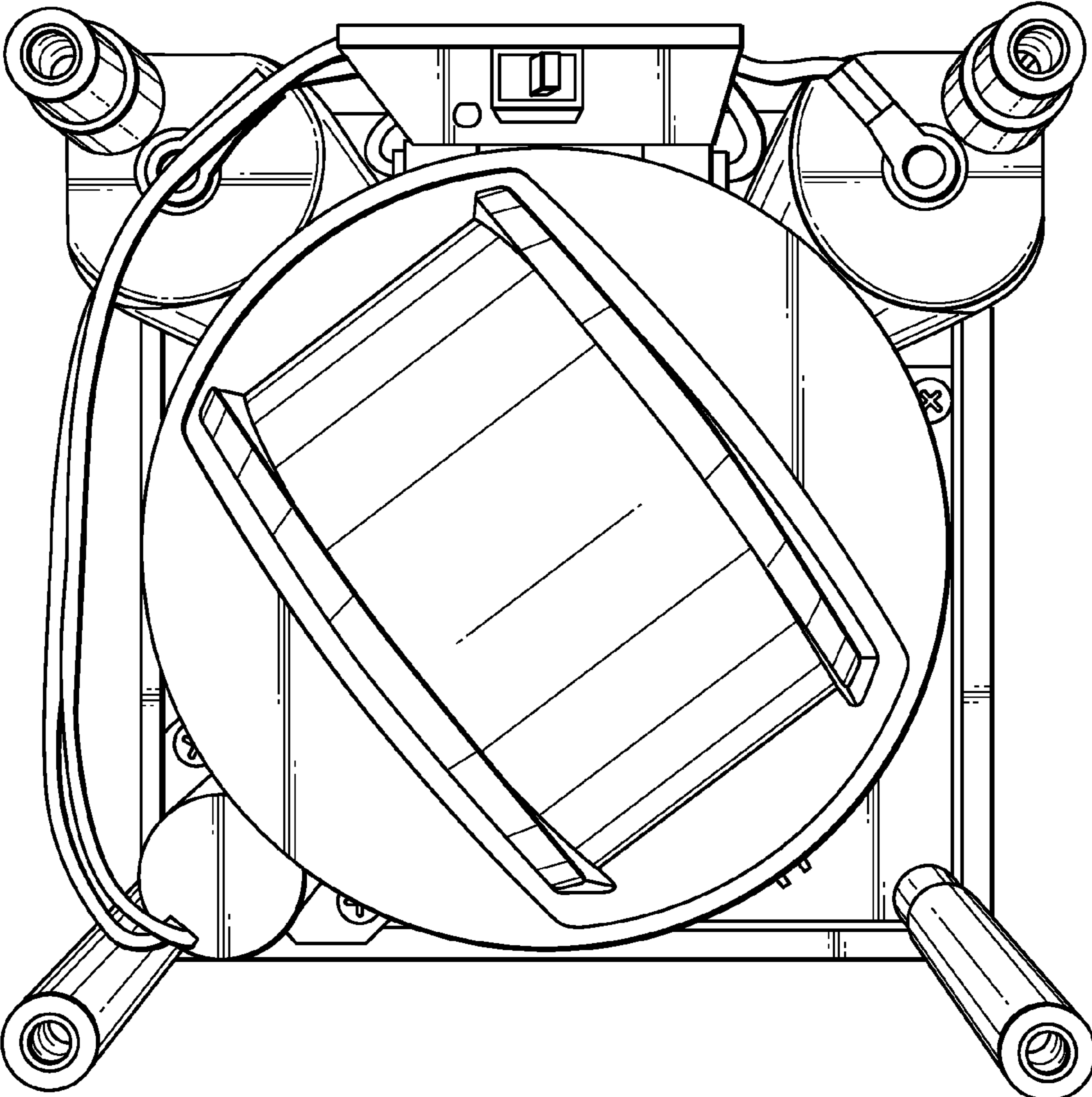


FIG. 2

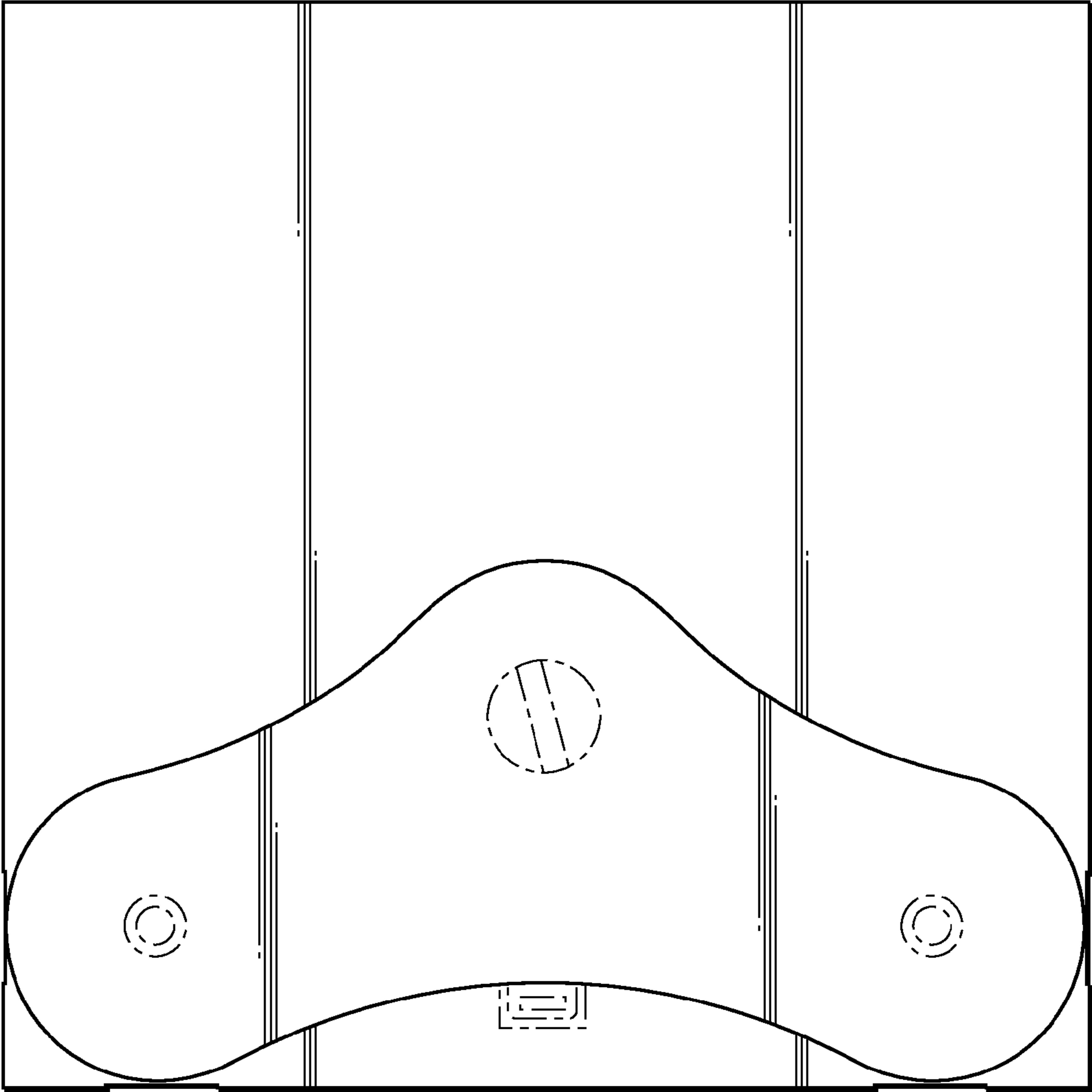


FIG. 3

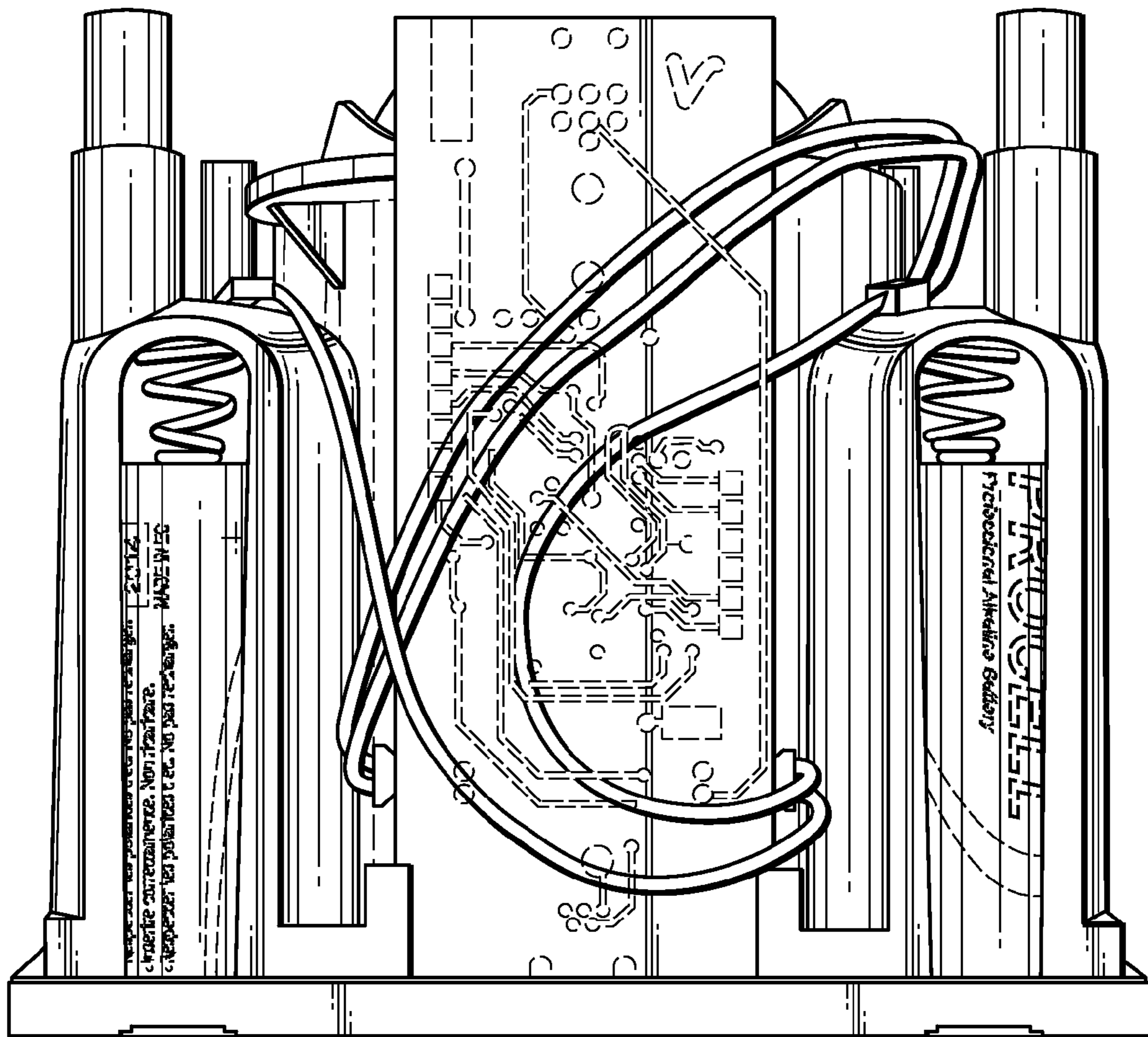


FIG. 4

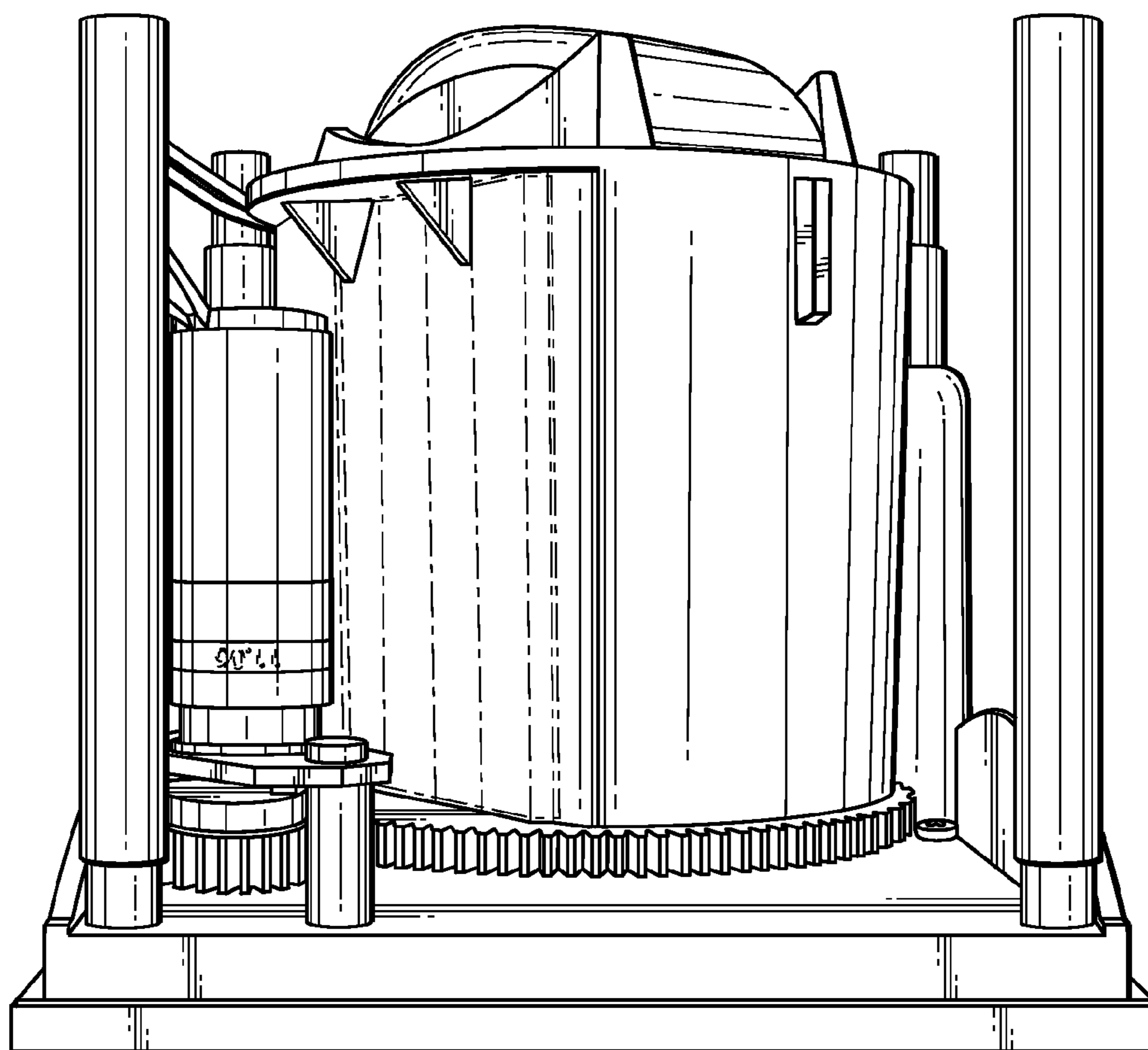


FIG. 5

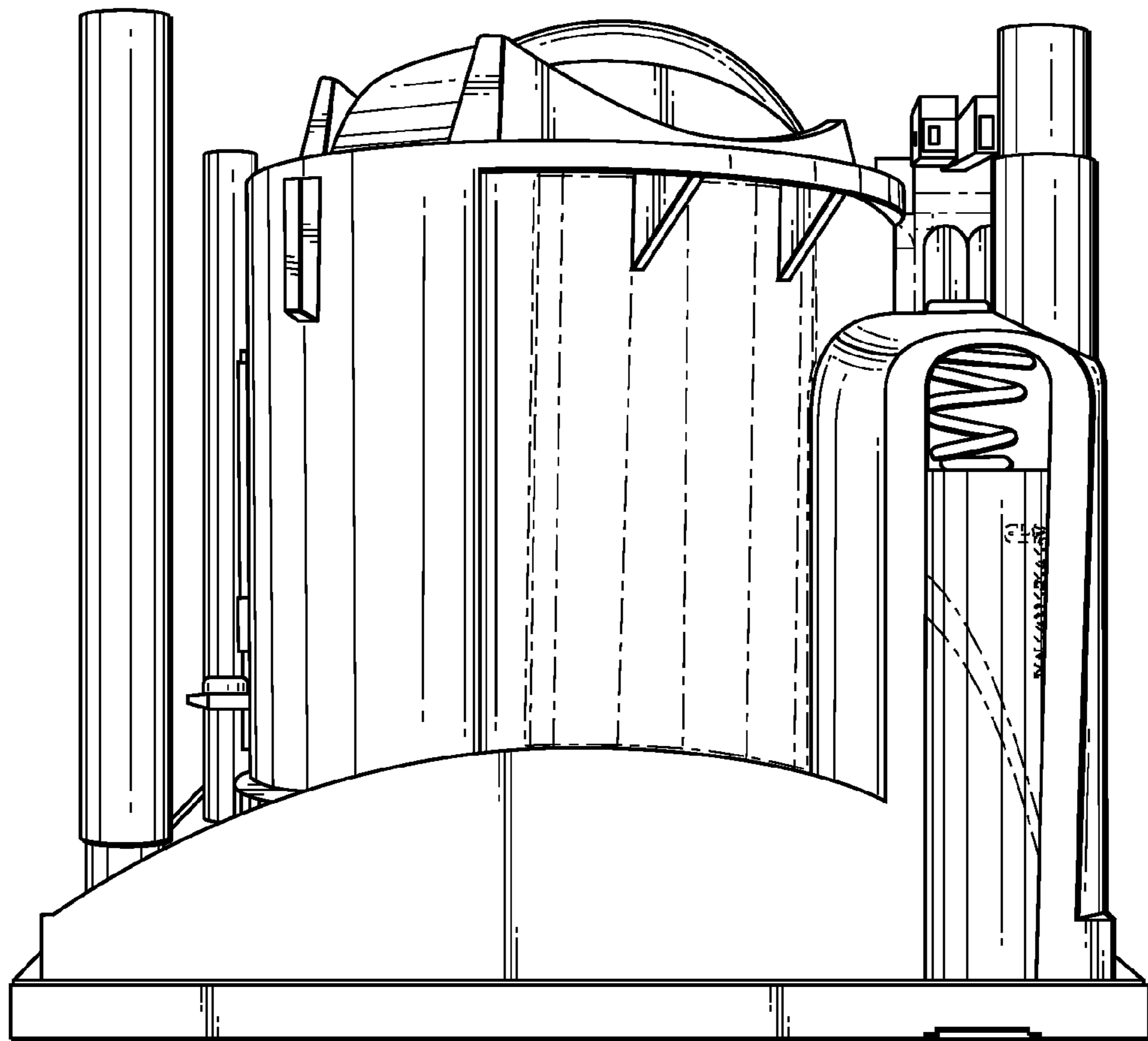


FIG. 6

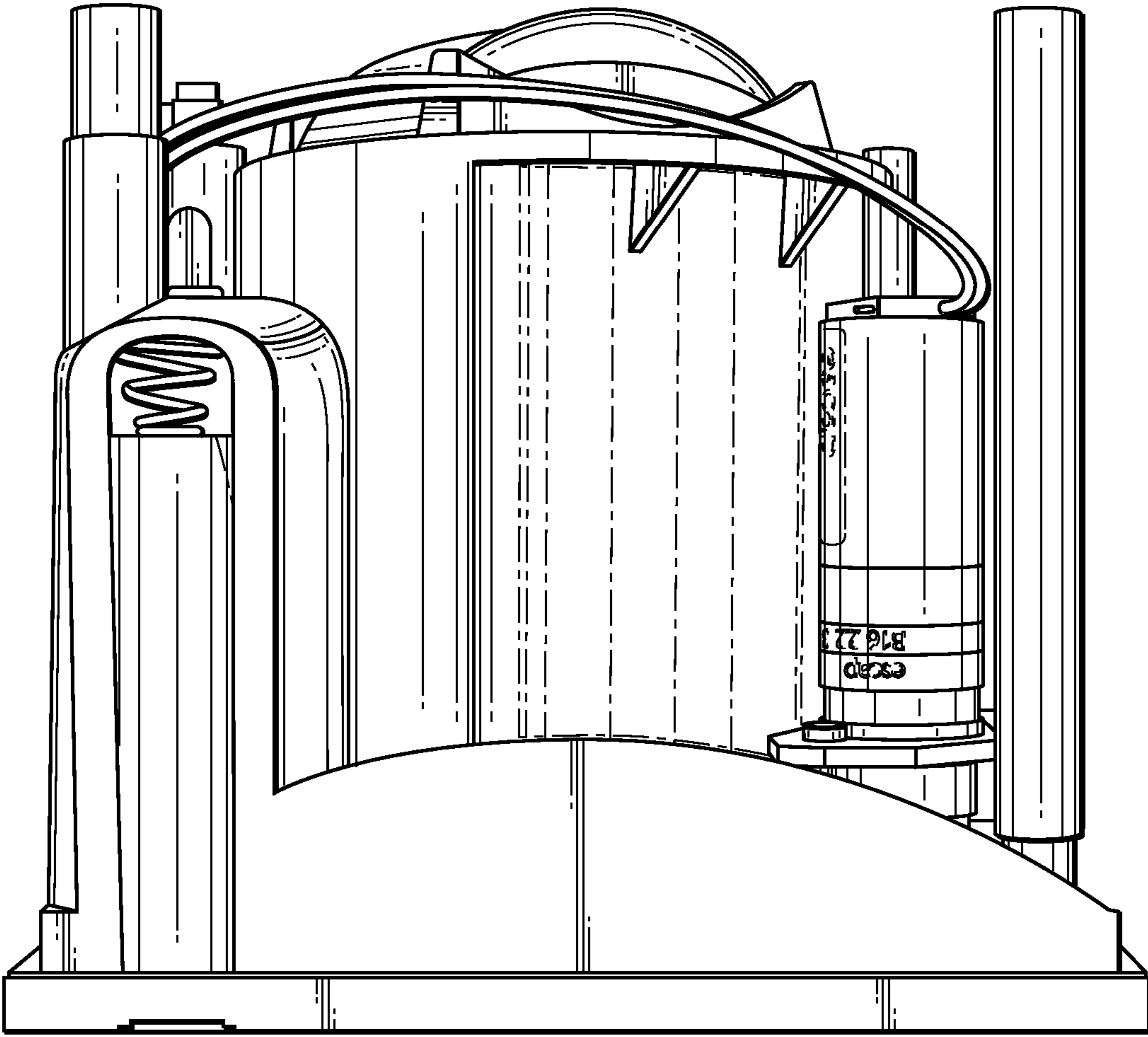


FIG. 7