



US00D606568S

(12) **United States Design Patent**
Jackson

(10) **Patent No.:** **US D606,568 S**

(45) **Date of Patent:** **** Dec. 22, 2009**

(54) **MILLING MACHINE**

(75) **Inventor:** **Gregory Todd Jackson**, Waunakee, WI (US)

(73) **Assignee:** **Tormach LLC**, Waunakee, WI (US)

(**) **Term:** **14 Years**

(21) **Appl. No.:** **29/332,372**

(22) **Filed:** **Feb. 13, 2009**

(51) **LOC (9) Cl.** **15-09**

(52) **U.S. Cl.** **D15/131**

(58) **Field of Classification Search** D15/122,
D15/130, 131; 29/40, 276, 279, 568; 74/608,
74/609; 82/120, 121; 408/31, 35, 241 G;
409/134

See application file for complete search history.

(56) **References Cited**

U.S. PATENT DOCUMENTS

D132,992 S *	7/1942	LeBlond	D15/131
D170,864 S *	11/1953	Johansson	D15/131
2,901,946 A *	9/1959	Grabes	409/171
D266,851 S *	11/1982	Wada et al.	D15/122
D285,928 S *	9/1986	Engelbrecht et al.	D15/122
D301,040 S *	5/1989	Gemmani	D15/131
D301,718 S *	6/1989	Wodli	D15/131
D309,146 S *	7/1990	Nemetz	D15/131
D328,467 S *	8/1992	Maleschew	D15/131

5,419,252 A *	5/1995	Satake	99/519
5,634,250 A *	6/1997	Mihailovic	29/26 A
D547,336 S *	7/2007	Kai	D15/122
D576,645 S *	9/2008	Sugata et al.	D15/122

* cited by examiner

Primary Examiner—Sandra Snapp

Assistant Examiner—Patricia Palasik

(57) **CLAIM**

The ornamental design for a milling machine, as shown and described.

DESCRIPTION

FIG. 1 is a front perspective view of the vertical milling machine;

FIG. 2 is a front elevation view of the vertical milling machine;

FIG. 3 is a right side elevation view of the vertical milling machine;

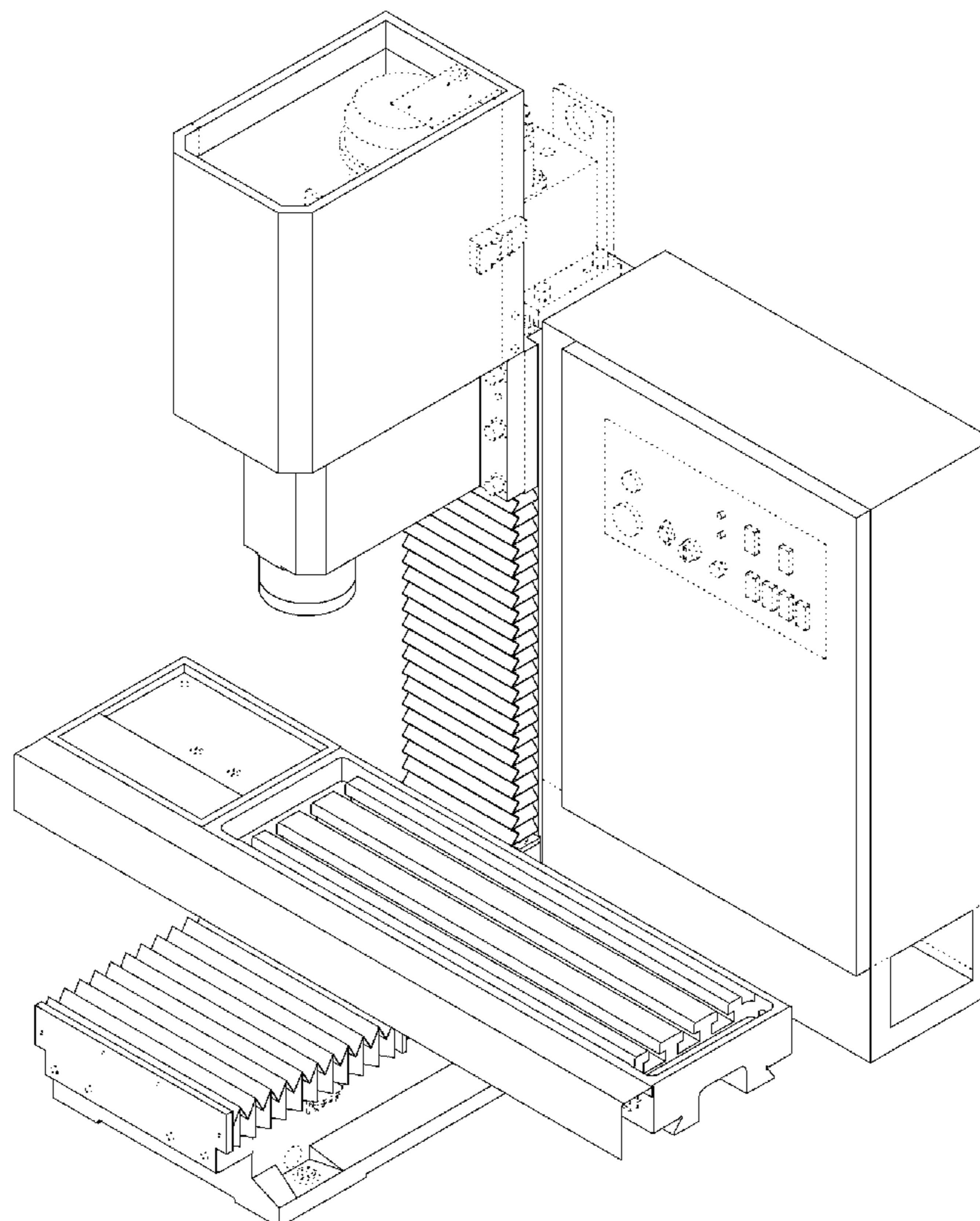
FIG. 4 is a rear elevation view of the vertical milling machine;

FIG. 5 is a left side elevation view of the vertical milling machine; and,

FIG. 6 is a top plan view of the vertical milling machine.

The broken lines in FIGS. 1–6 are included for the purpose of illustrating the environment of the milling machine and form no part of the claimed design.

1 Claim, 6 Drawing Sheets



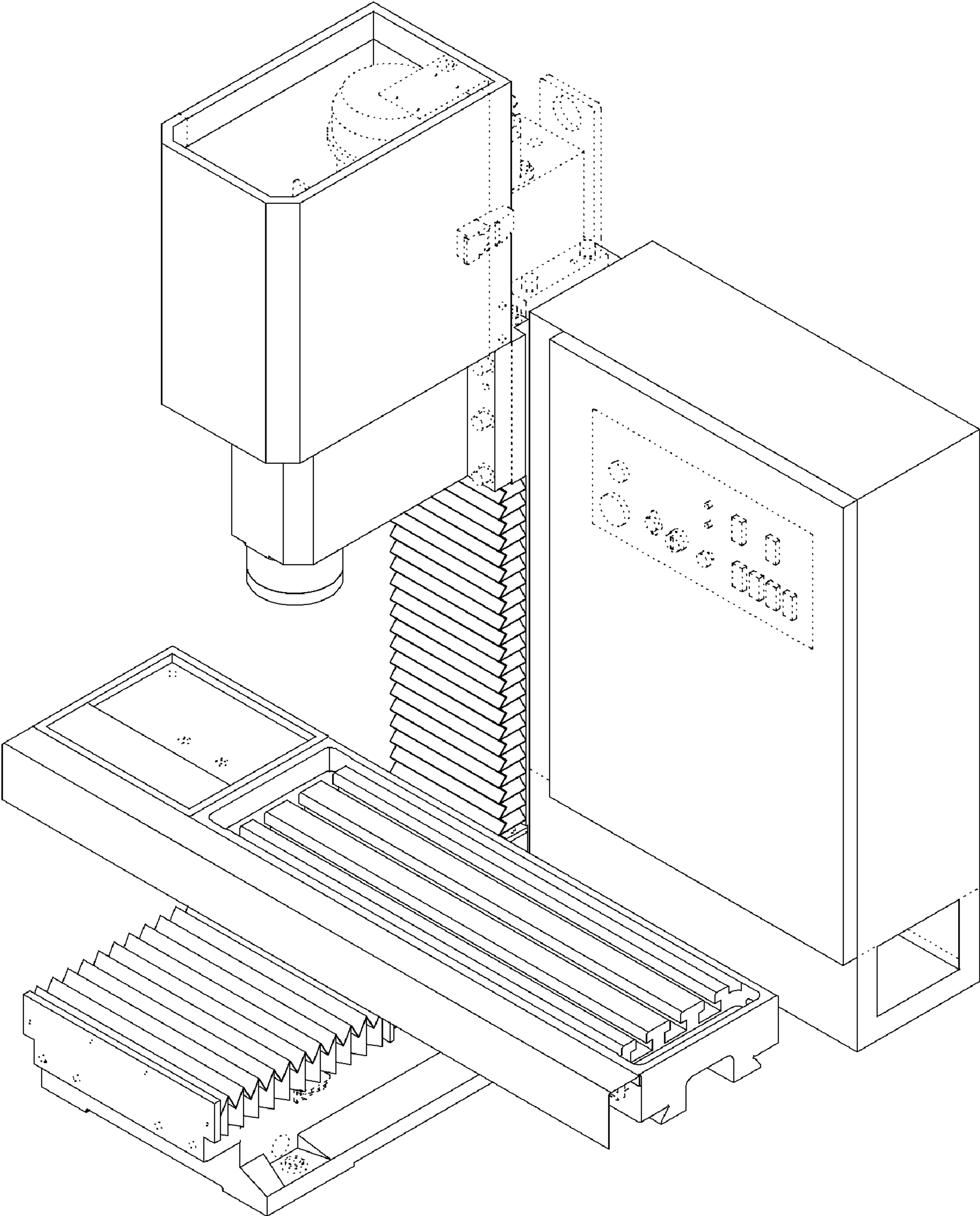


Fig. 1

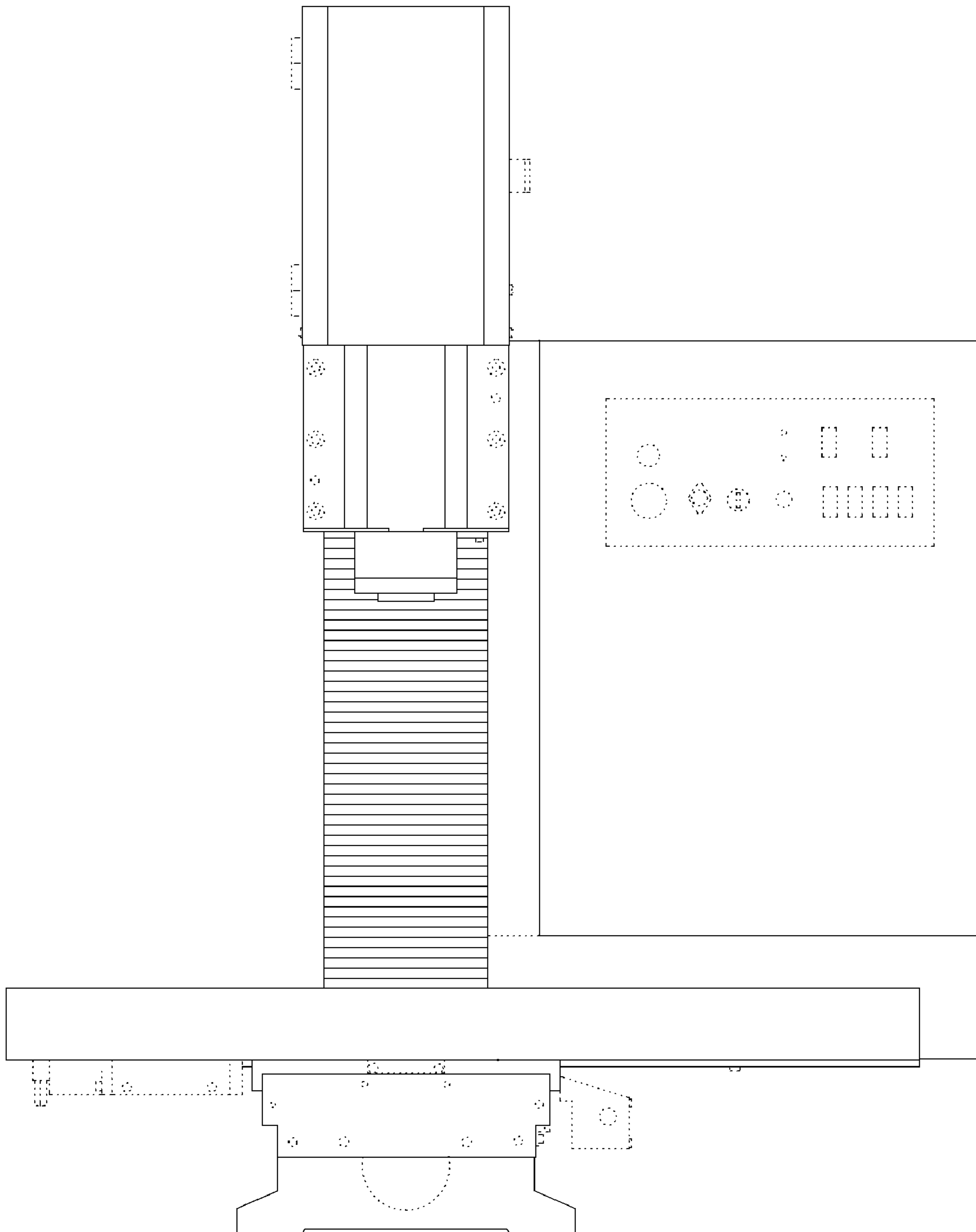


Fig. 2

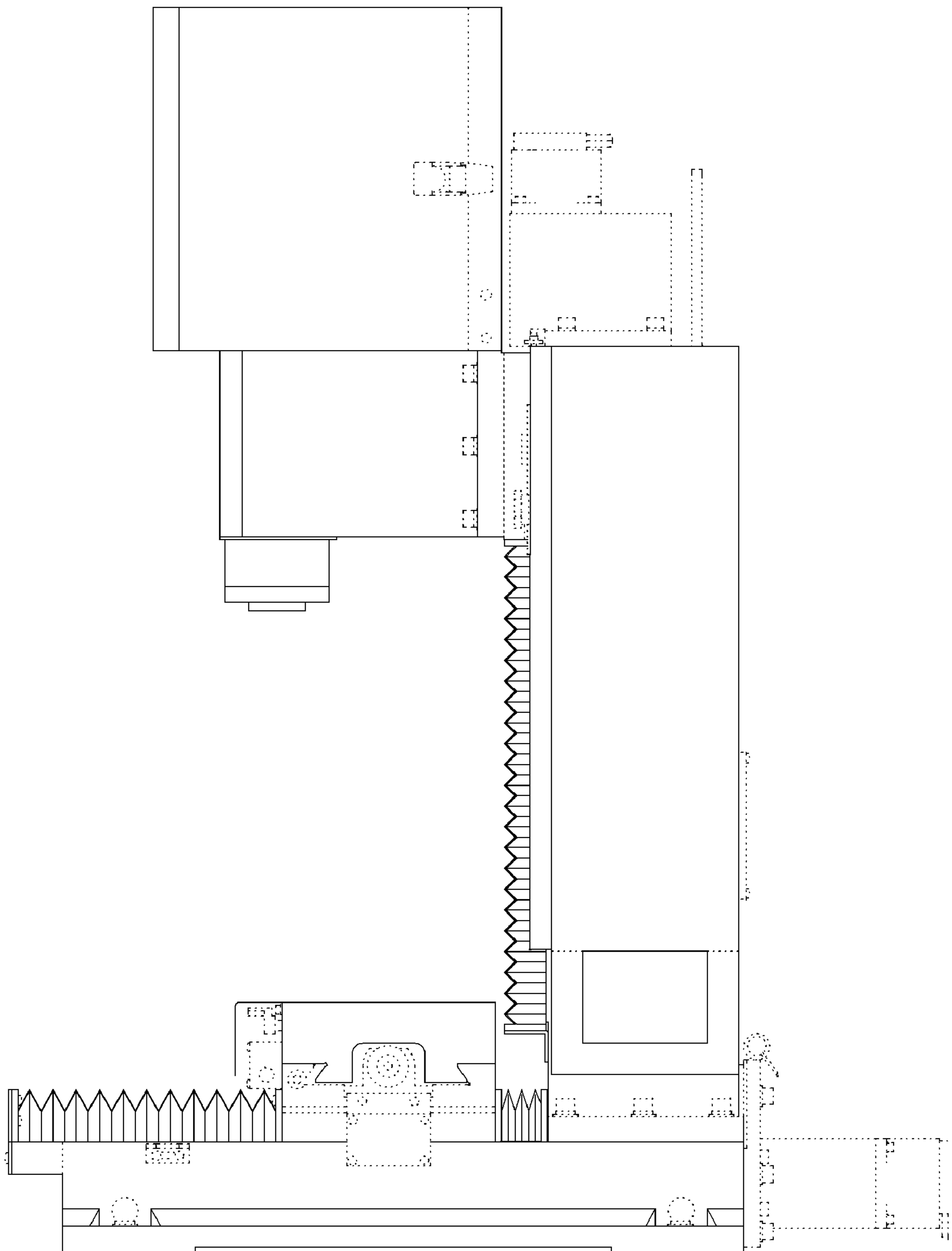


Fig. 3

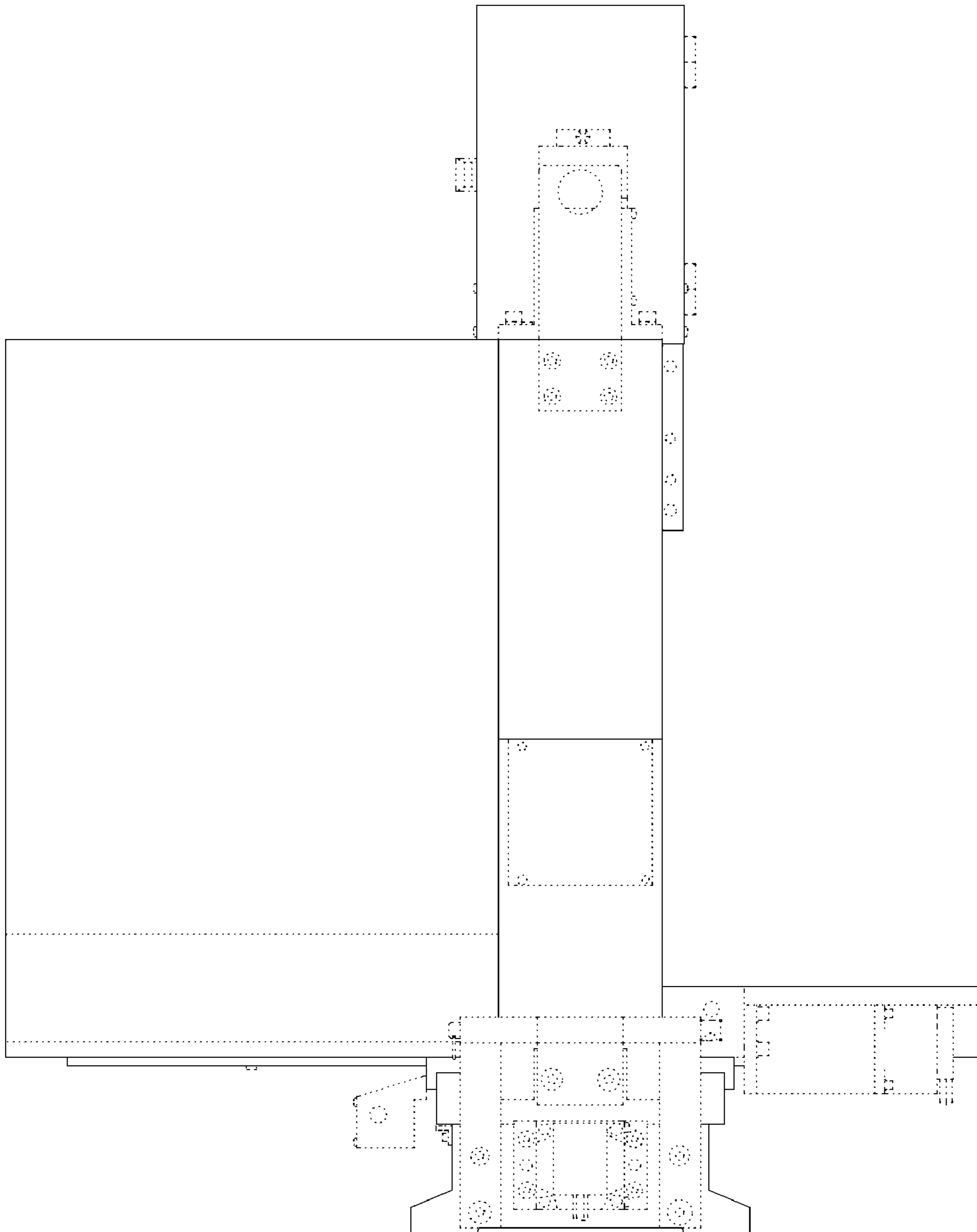


Fig. 4

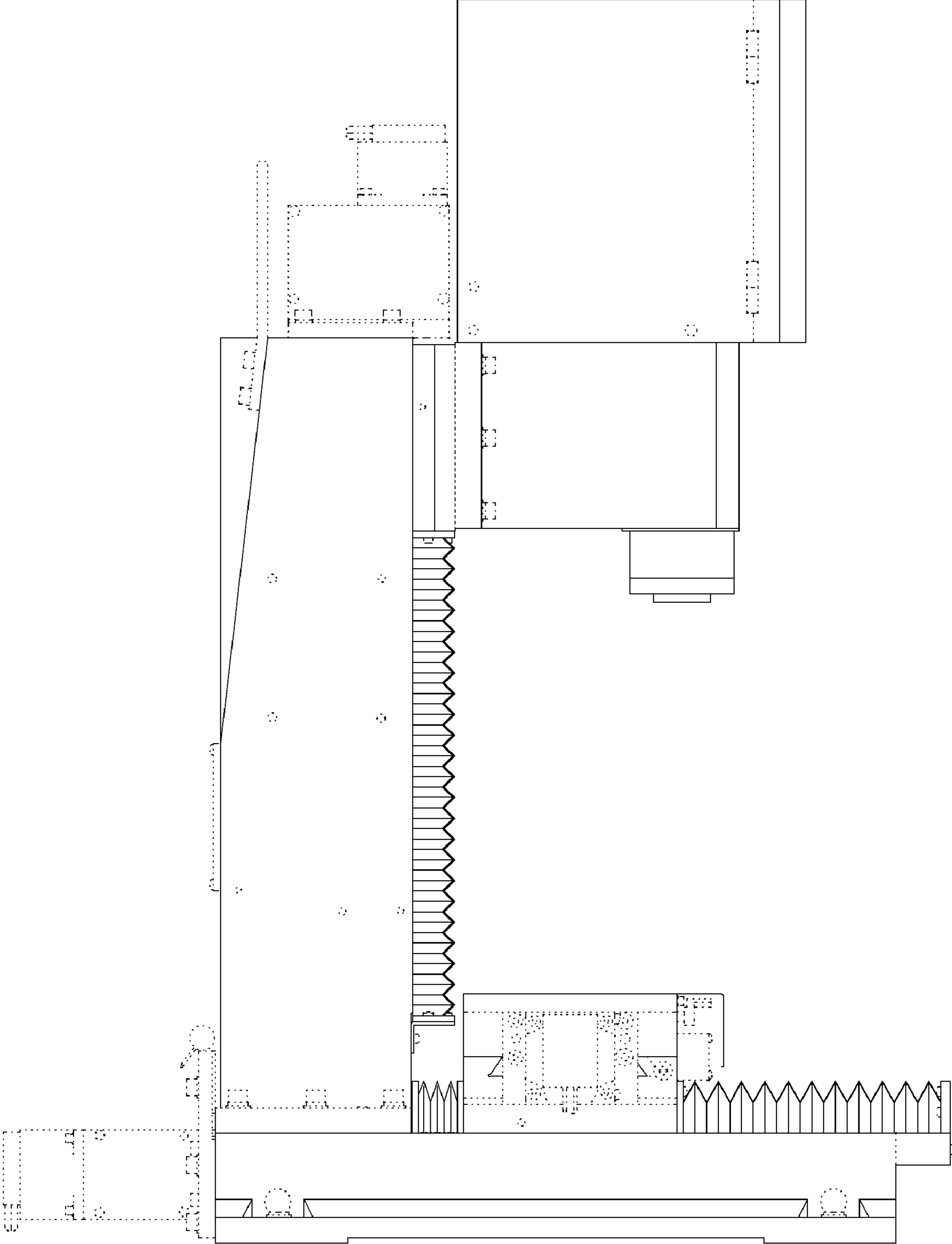


Fig. 5

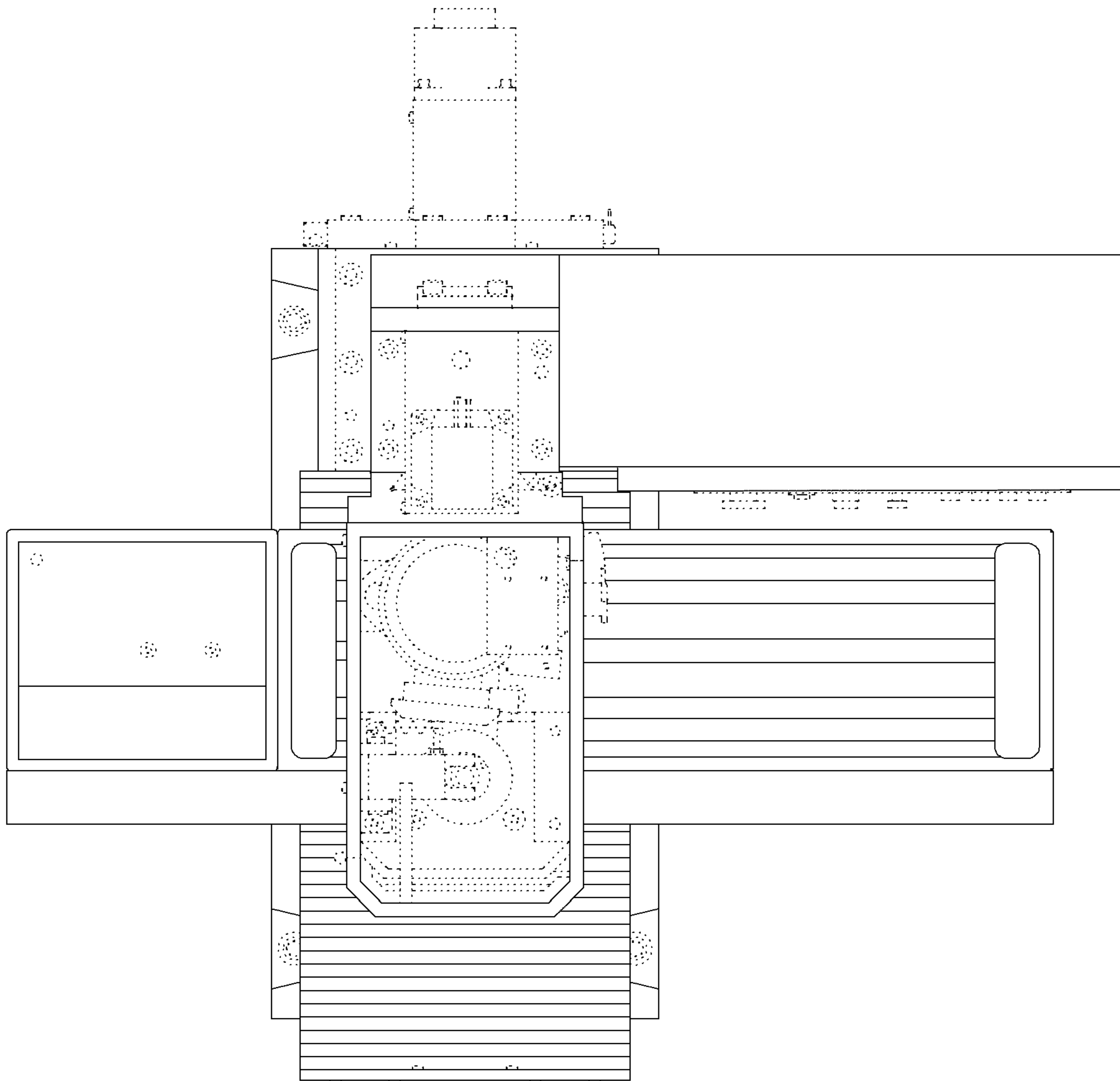


Fig. 6