



US00D606562S

(12) **United States Design Patent**  
**Stiles, Jr. et al.**

(10) **Patent No.:** **US D606,562 S**  
(45) **Date of Patent:** **\*\* Dec. 22, 2009**

(54) **WATER PUMP**

(75) Inventors: **Robert W. Stiles, Jr.**, Cary, NC (US);  
**Lars Hoffmann Berthelsen**, Randers  
(DK); **Ronald B. Robol**, Sanford, NC  
(US); **Christopher R. Yahnker**, Raleigh,  
NC (US); **John Gary Bullock**, Apex,  
NC (US); **Gert Kjaer**, Soenderborg  
(DK); **Arne Fink Hansen**, Graasten  
(DK)

(73) Assignee: **Pentair Water Pool and Spa, Inc.**,  
Sanford, NC (US)

(\*\*) Term: **14 Years**

(21) Appl. No.: **29/288,855**

(22) Filed: **Jun. 22, 2007**

**Related U.S. Application Data**

(63) Continuation of application No. 29/258,181, filed on  
Apr. 18, 2006, now Pat. No. Des. 568,340.

(51) **LOC (9) Cl.** ..... **15-01**

(52) **U.S. Cl.** ..... **D15/5**

(58) **Field of Classification Search** ..... D15/5,  
D15/7, 9; D23/231, 232; 417/360, 423.1,  
417/68-69, 904

See application file for complete search history.

(56) **References Cited**

**U.S. PATENT DOCUMENTS**

D372,719 S \* 8/1996 Jensen ..... D15/7

5,836,271 A \* 11/1998 Sasaki et al. .... 123/41.44  
D504,900 S \* 5/2005 Wang ..... D15/7  
D505,429 S \* 5/2005 Wang ..... D15/7  
D511,530 S \* 11/2005 Wang ..... D15/7  
D512,440 S \* 12/2005 Wang ..... D15/7  
D562,349 S \* 2/2008 Bulter ..... D15/9

\* cited by examiner

*Primary Examiner*—Cathron C. Brooks

*Assistant Examiner*—Maurice Stevens

(74) *Attorney, Agent, or Firm*—Greenberg Traurig, LLP

(57) **CLAIM**

The ornamental design for a water pump, as shown and  
described.

**DESCRIPTION**

FIG. 1 is a perspective view of a water pump showing our new  
design;

FIG. 2 is a right side view thereof;

FIG. 3 is a left side view thereof;

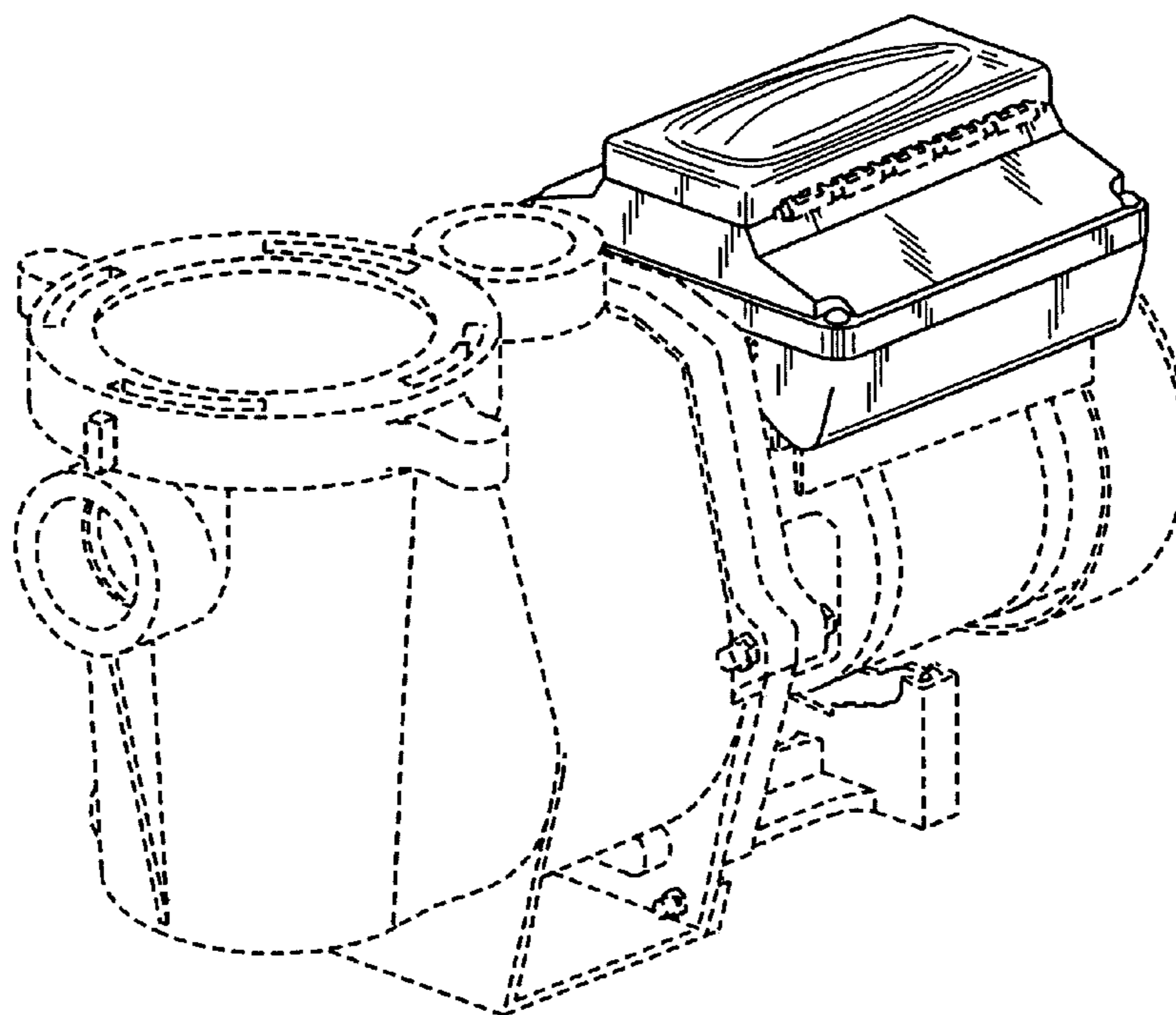
FIG. 4 is a front view thereof;

FIG. 5 is a rear view thereof; and,

FIG. 6 is a top view thereof.

The broken lines shown in FIGS. 1-6 represent environmen-  
tal structure and form no part of the claimed invention.

**1 Claim, 6 Drawing Sheets**



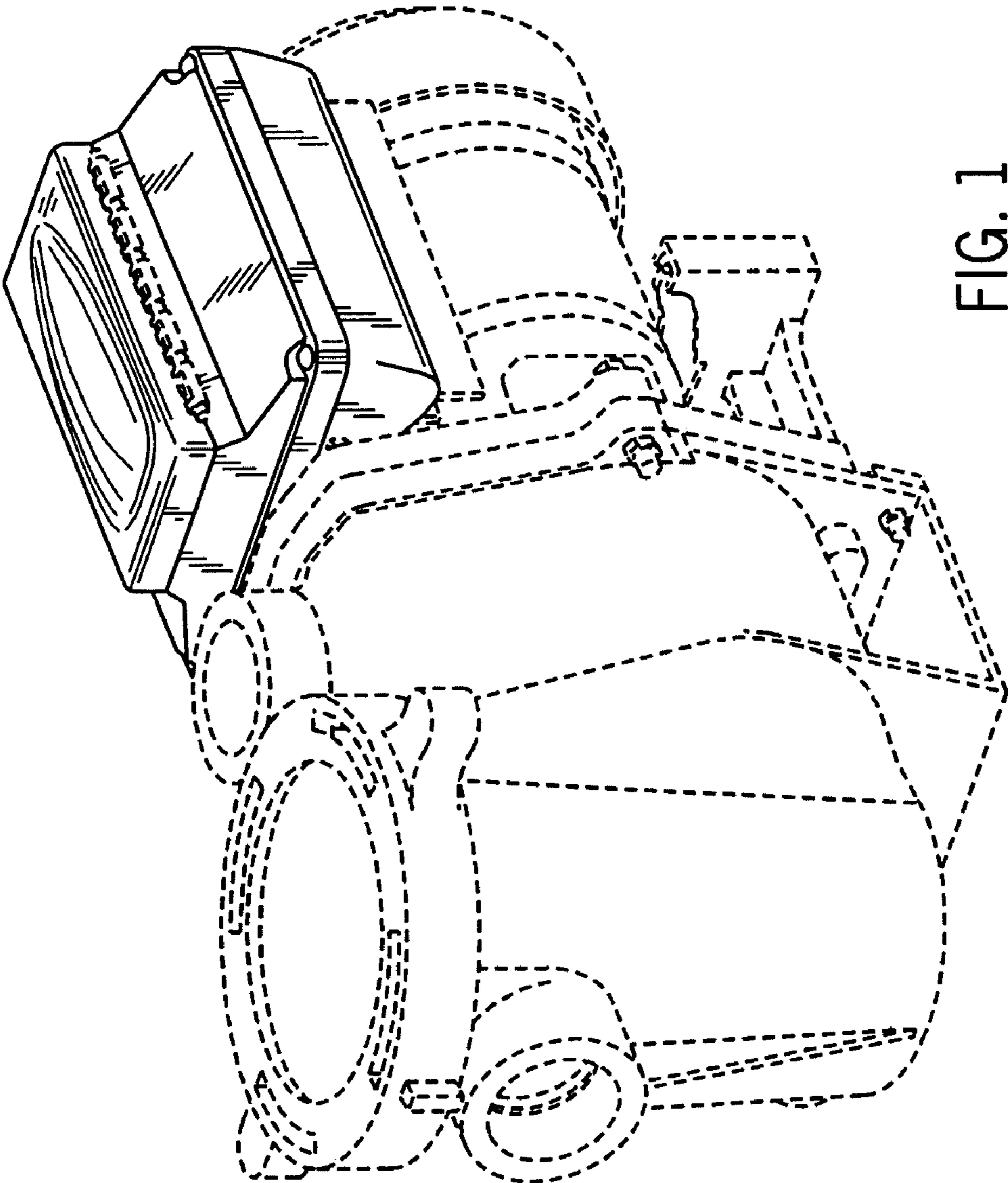


FIG. 1

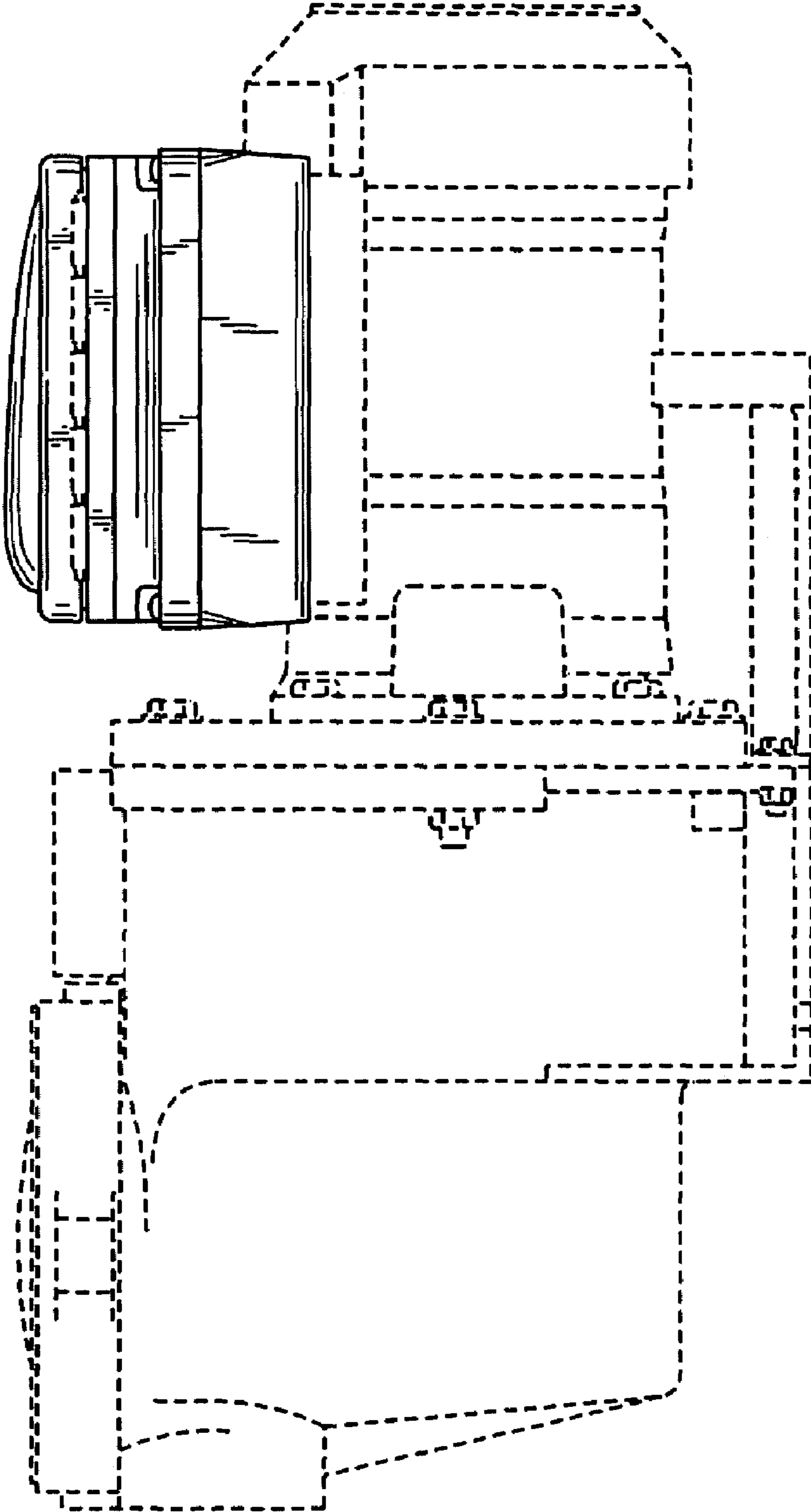


FIG. 2

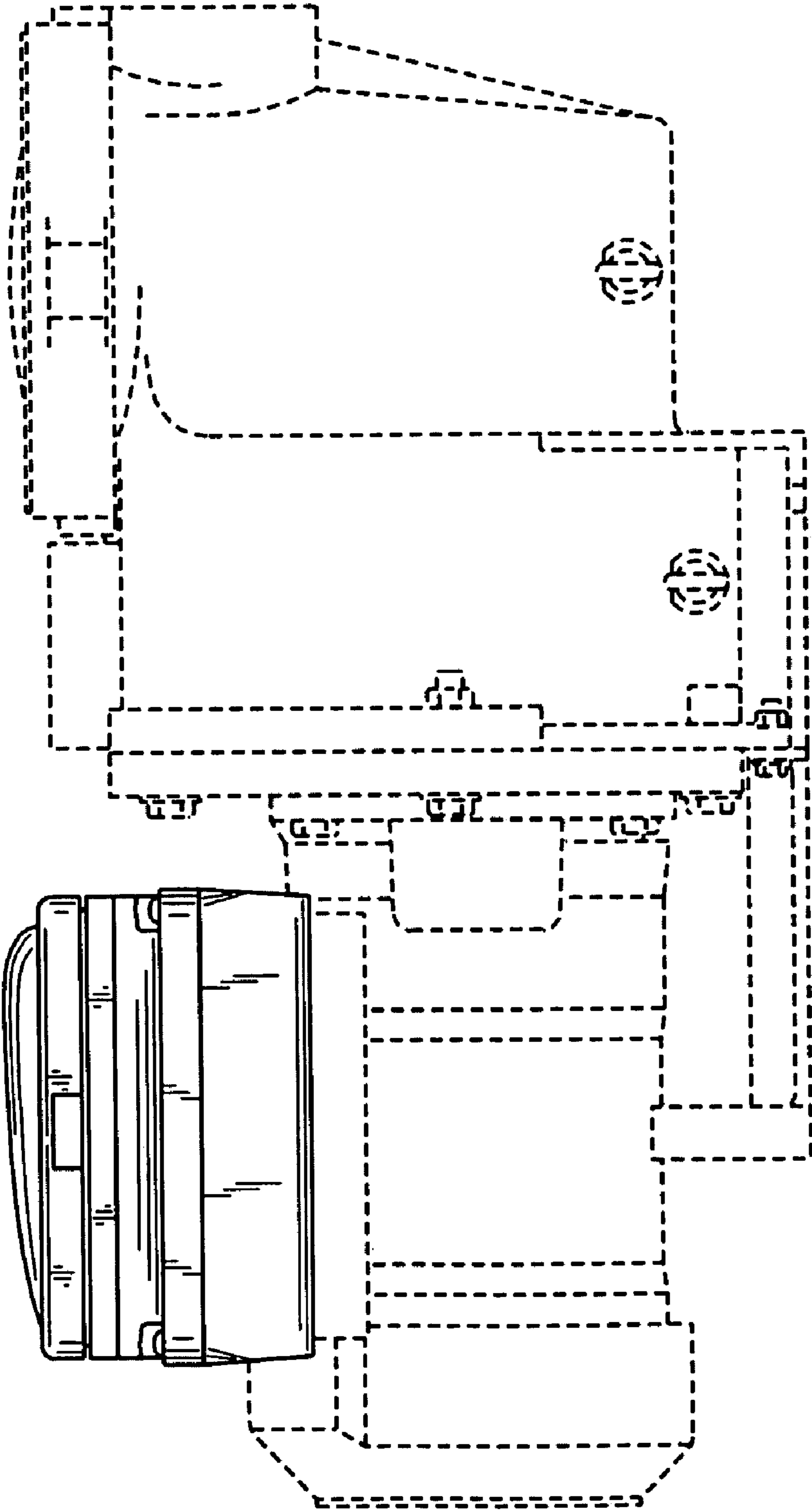


FIG. 3

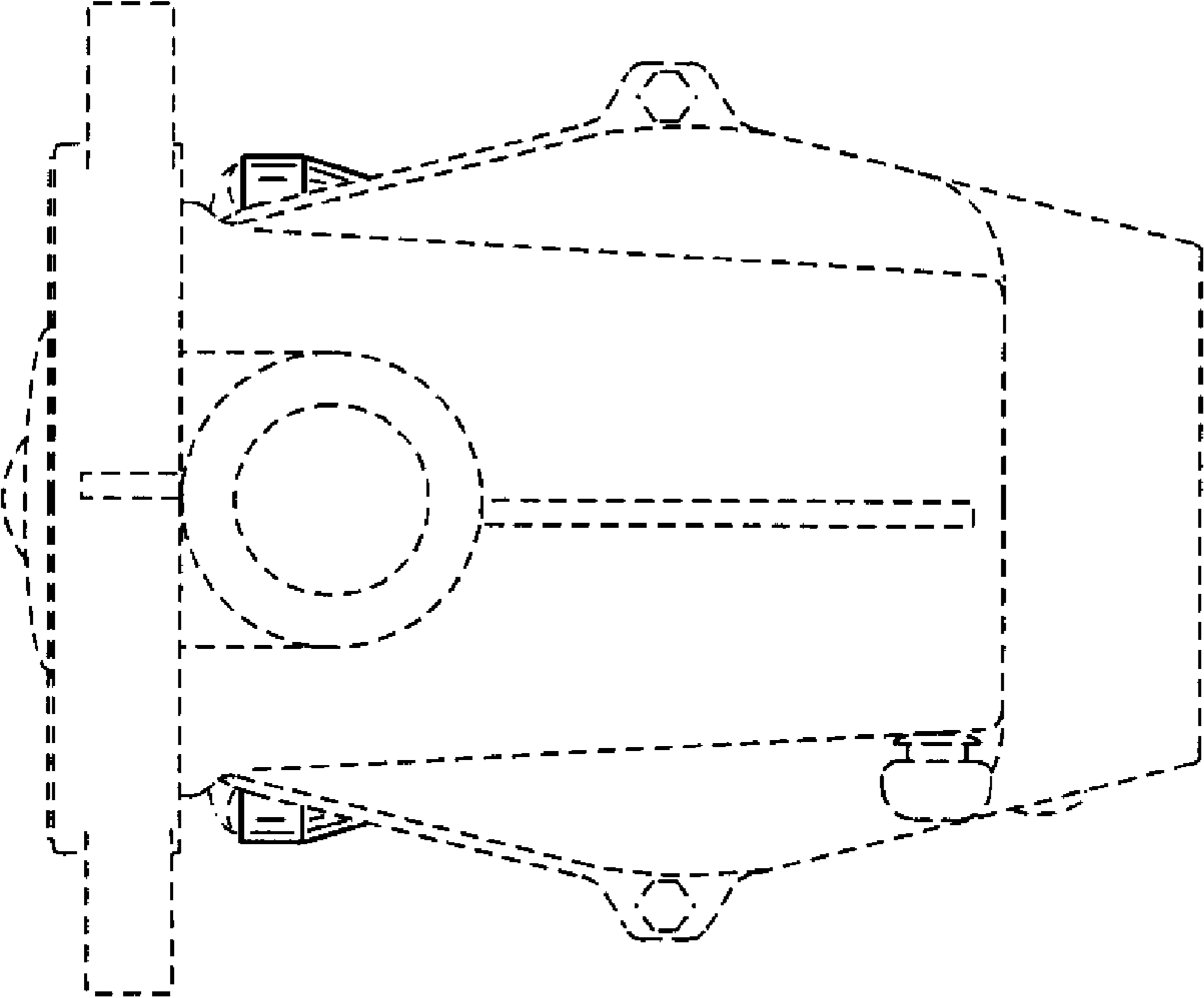


FIG. 4

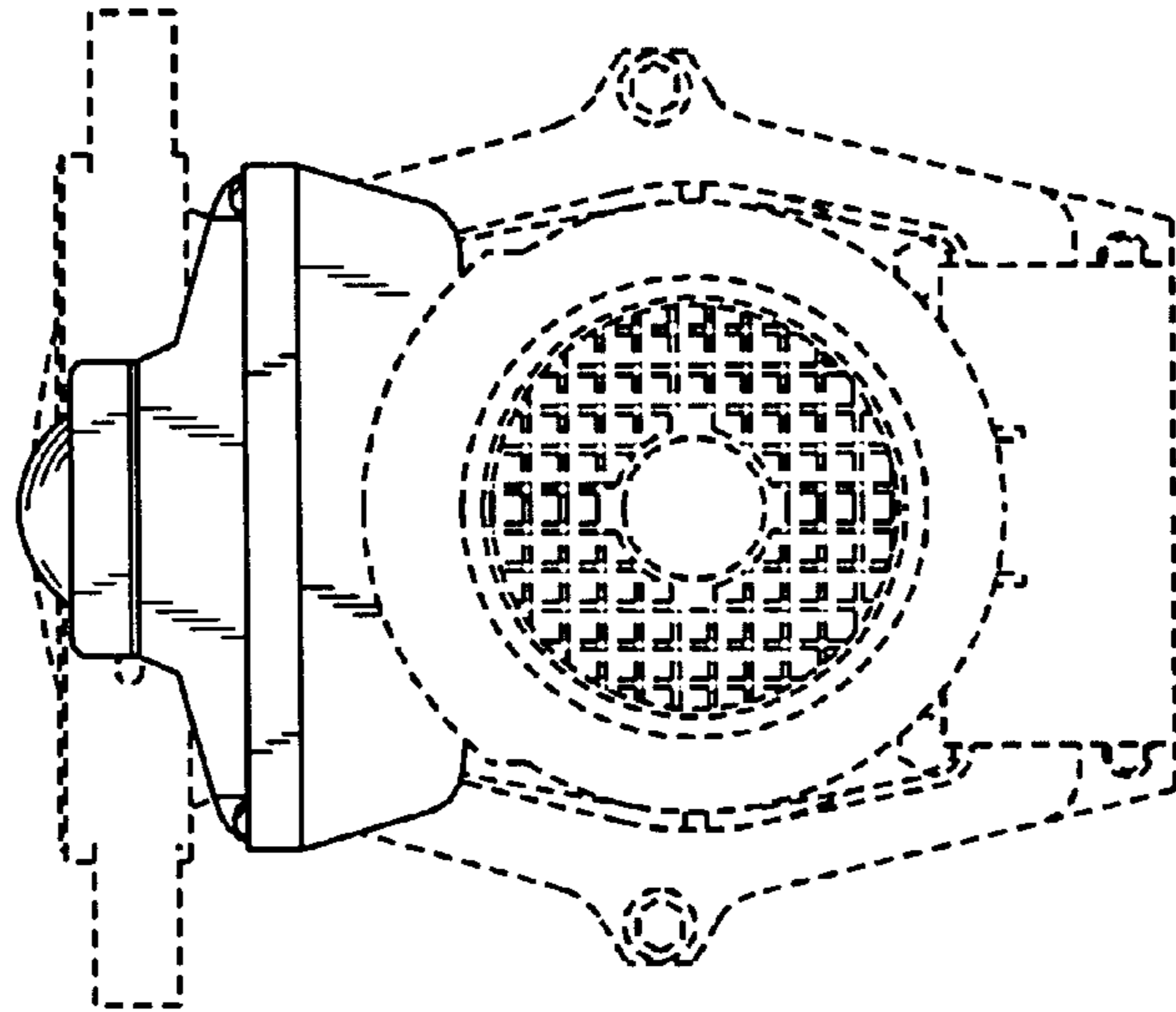


FIG. 5

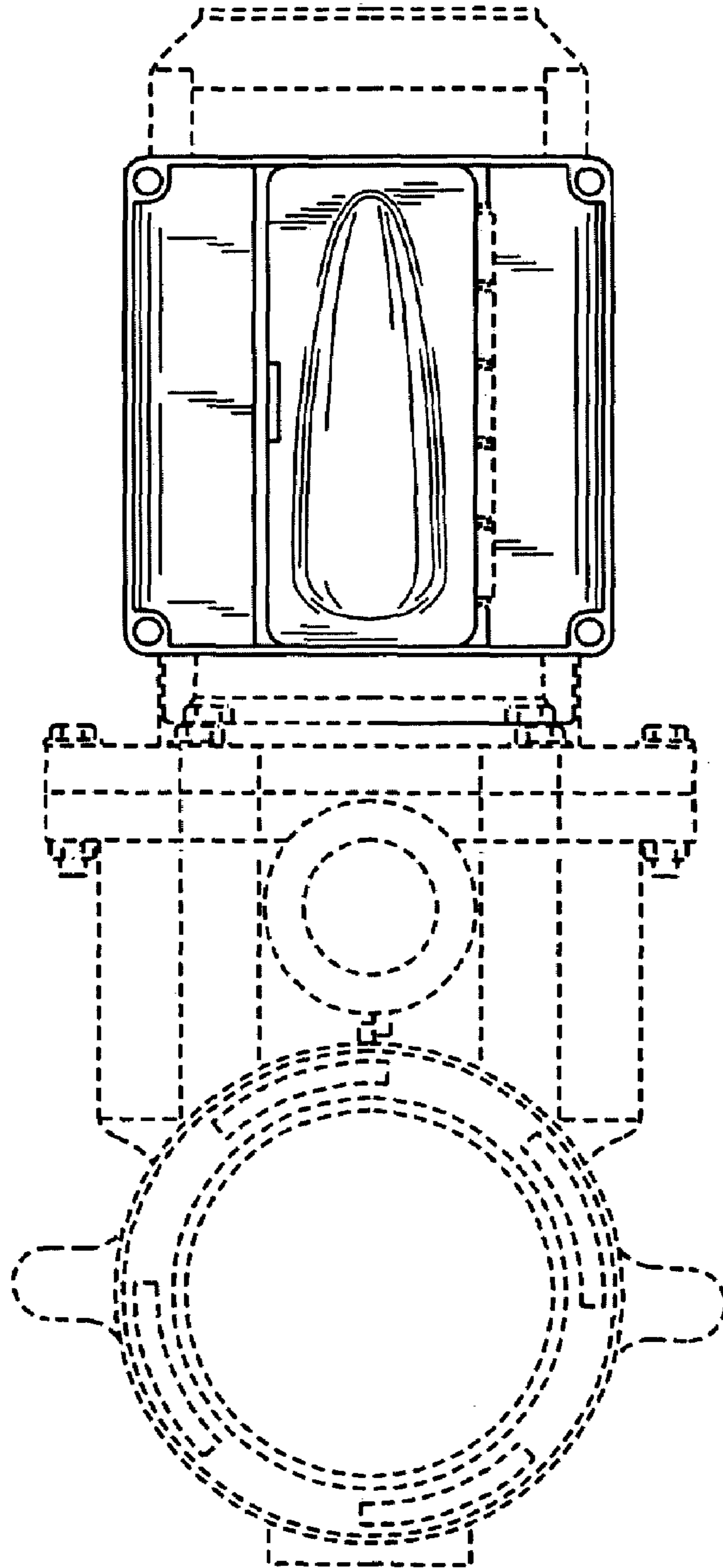


FIG. 6