



US00D606548S

(12) **United States Design Patent**
Sapper

(10) **Patent No.:** **US D606,548 S**

(45) **Date of Patent:** **** Dec. 22, 2009**

(54) **SUPPORT ARM**

WO WO 2007/118862 10/2007

(75) Inventor: **Richard Sapper**, Milan (IT)

(73) Assignee: **Knoll, Inc.**, East Greenville, PA (US)

(Continued)

(**) Term: **14 Years**

(21) Appl. No.: **29/331,178**

(22) Filed: **Jan. 21, 2009**

(51) **LOC (9) Cl.** **08-07**

(52) **U.S. Cl.** **D14/452**

(58) **Field of Classification Search** D14/451,
D14/452, 447, 448, 457, 239, 251, 253, 224,
D14/224.1, 432, 439; D8/354, 363, 373,
D8/380; D6/449, 512; D10/74; D12/415;
248/917, 918, 919, 920, 921, 922, 923, 924,
248/675, 122.1, 176.1, 176.3, 324, 222.51,
248/222.52, 223.31, 229.1, 229.15, 230.6,
248/230.7, 276.1, 281.11; 361/379.06, 679.07,
361/679.21, 679.22, 825, 679.55, 679.56

See application file for complete search history.

(56) **References Cited**

U.S. PATENT DOCUMENTS

5,553,820	A	9/1996	Karten et al.	
5,992,809	A	11/1999	Sweere et al.	
6,499,704	B2	12/2002	Oddsens, Jr.	
6,505,988	B1	1/2003	Oddsens, Jr.	
6,554,235	B1	4/2003	Fortier	
6,554,238	B1	4/2003	Hibberd	
6,679,090	B1	1/2004	Finch, Jr.	
6,739,096	B2	5/2004	Feldpausch et al.	
6,863,252	B2	3/2005	Sosson	
D503,719	S *	4/2005	Lin D14/452

(Continued)

FOREIGN PATENT DOCUMENTS

GB 2 440 606 2/2008

OTHER PUBLICATIONS

Herman Miller website materials showing products sold under the Herman Miller trade name, date of publication unknown but prior to filing of the patent application.

Primary Examiner—Jennifer Rivard

Assistant Examiner—Angela J Lee

(74) *Attorney, Agent, or Firm*—Buchanan Ingersoll & Rooney PC

(57) **CLAIM**

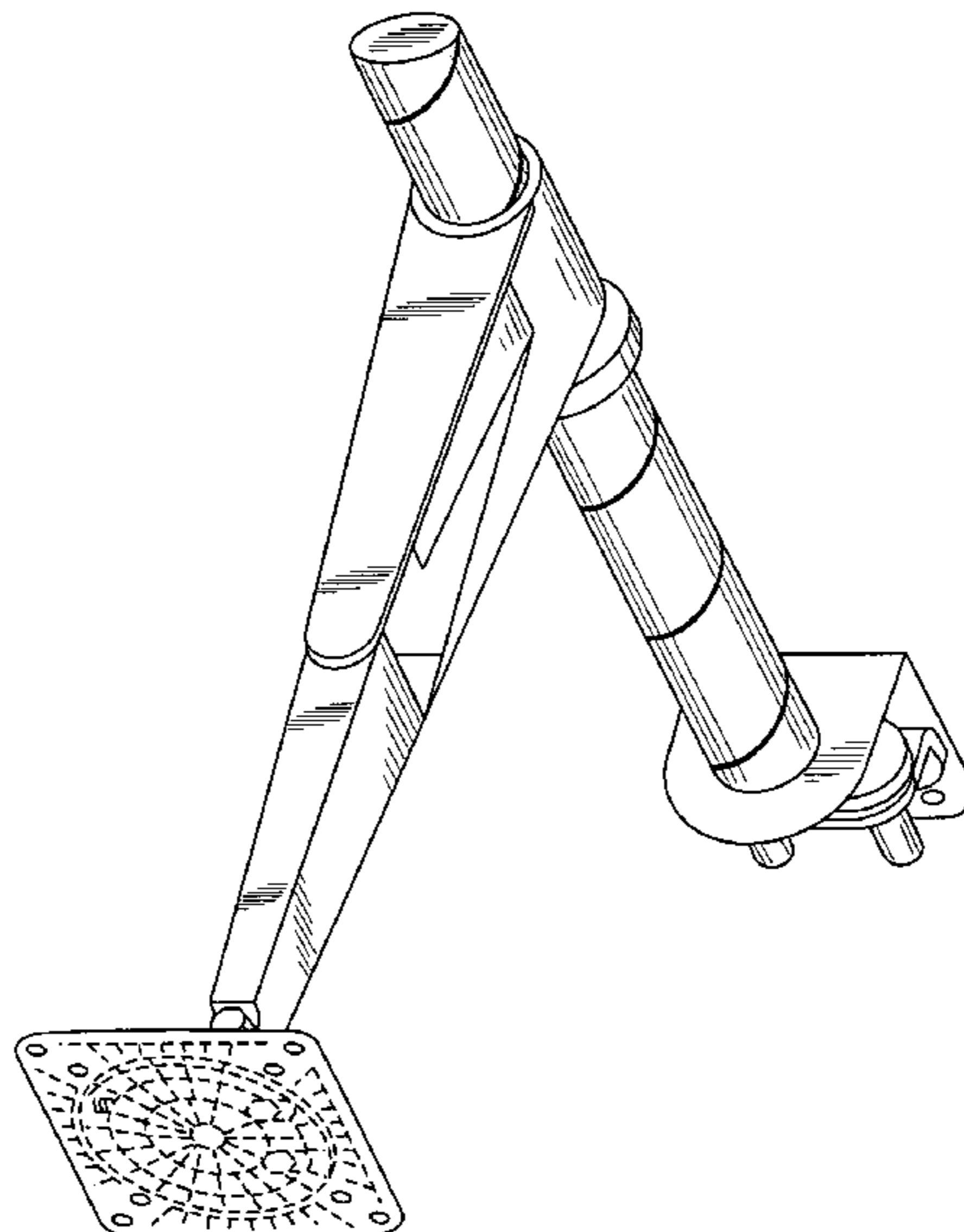
The ornamental design for a support arm, as shown and described.

DESCRIPTION

FIG. 1 is a perspective view of my support arm;
FIG. 2 is a front elevational view of my support arm;
FIG. 3 is a top plan view of my support arm;
FIG. 4 is a rear elevational view of my support arm;
FIG. 5 is a bottom plan view of my support arm;
FIG. 6 is a left side elevational view of my support arm; and,
FIG. 7 is a right side elevational view of my support arm.

The Allen wrench attached to the mounting plate of the support arms arm shown in broken line in FIGS. 3, 4, 5, 6 and 7 forms no part of the claimed design. Also, recesses formed in the mounting plate shown in broken line in FIGS. 1 and 2 form no part of the claimed design. Further, the ribbing shown in broken line in FIG. 5 forms no part of the claimed design.

1 Claim, 7 Drawing Sheets



US D606,548 S

Page 2

U.S. PATENT DOCUMENTS

6,905,101 B1 6/2005 Dittmer
D518,063 S 3/2006 Piazza et al.
7,014,157 B2 3/2006 Oddsen
D522,009 S * 5/2006 Chen D14/452
7,048,242 B2 5/2006 Oddsen, Jr.
D537,323 S 2/2007 Saez
7,182,301 B1 2/2007 Oddsen, Jr. et al.
7,195,215 B2 * 3/2007 Lin 248/125.9
7,246,780 B2 7/2007 Oddsen, Jr.
7,252,277 B2 8/2007 Sweere et al.
7,264,212 B2 * 9/2007 Hung 248/282.1
D563,399 S * 3/2008 Wohlford et al. D14/239
D568,325 S * 5/2008 Muday et al. D14/452
7,389,965 B2 6/2008 Oddsen, Jr. et al.
7,395,995 B2 * 7/2008 Chen 248/284.1
D584,734 S * 1/2009 Chu D14/452
2003/0075653 A1 * 4/2003 Li 248/274.1

2003/0231460 A1 * 12/2003 Moscovitch 361/681
2004/0011938 A1 * 1/2004 Oddsen, Jr. 248/393
2005/0133678 A1 6/2005 Dittmer
2005/0284991 A1 12/2005 Saez
2005/0284997 A1 12/2005 Tisbo et al.
2006/0266909 A1 11/2006 Oddsen, Jr. et al.
2008/0164395 A1 * 7/2008 Chang et al. 248/276.1
2008/0237439 A1 10/2008 Oddsen
2009/0090831 A1 * 4/2009 Henning et al. 248/278.1

FOREIGN PATENT DOCUMENTS

WO WO 2007/137905 12/2007
WO WO 2008/012368 1/2008
WO WO 2008/022873 2/2008
WO WO 2008/091998 7/2008
WO WO 2008/113860 9/2008

* cited by examiner

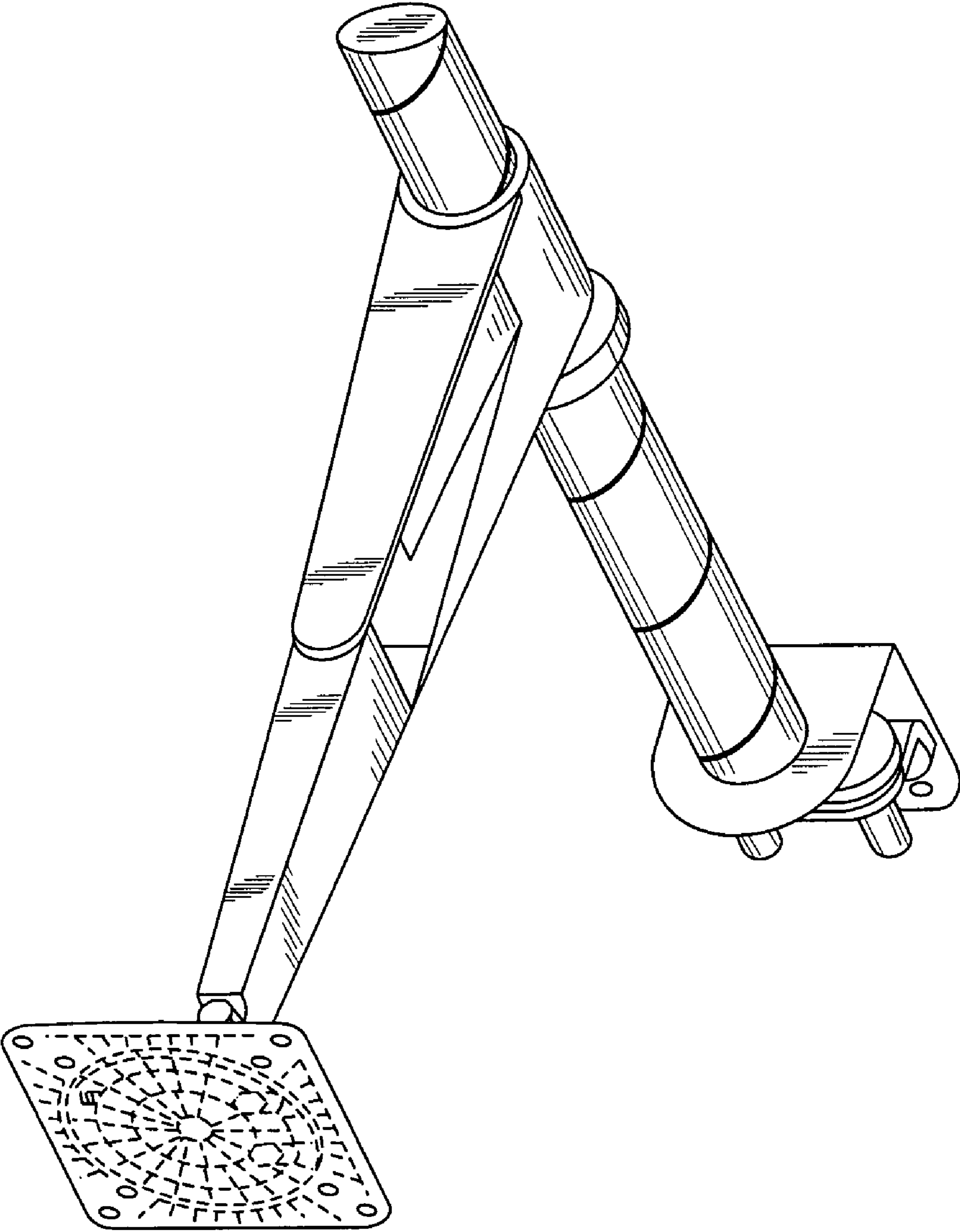


FIG. 1

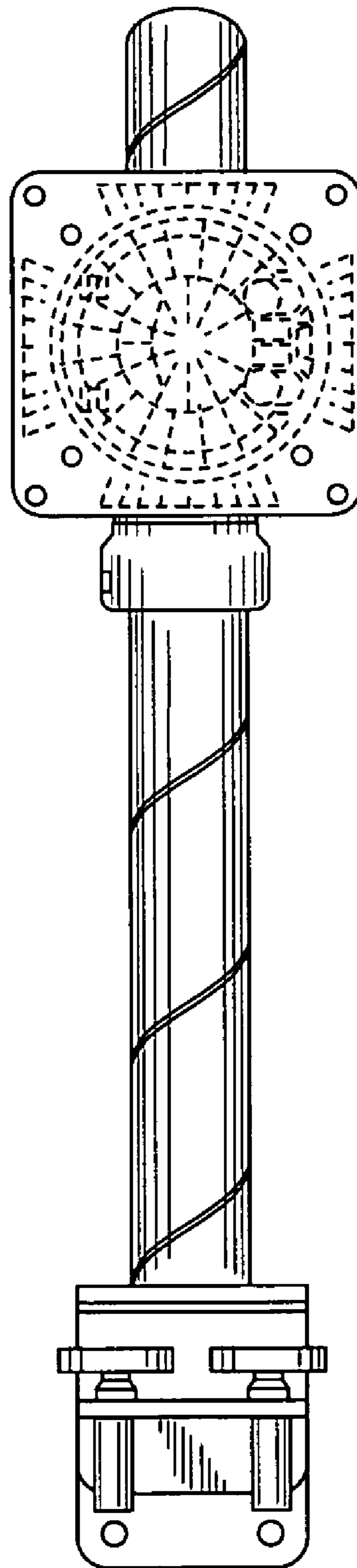


FIG. 2

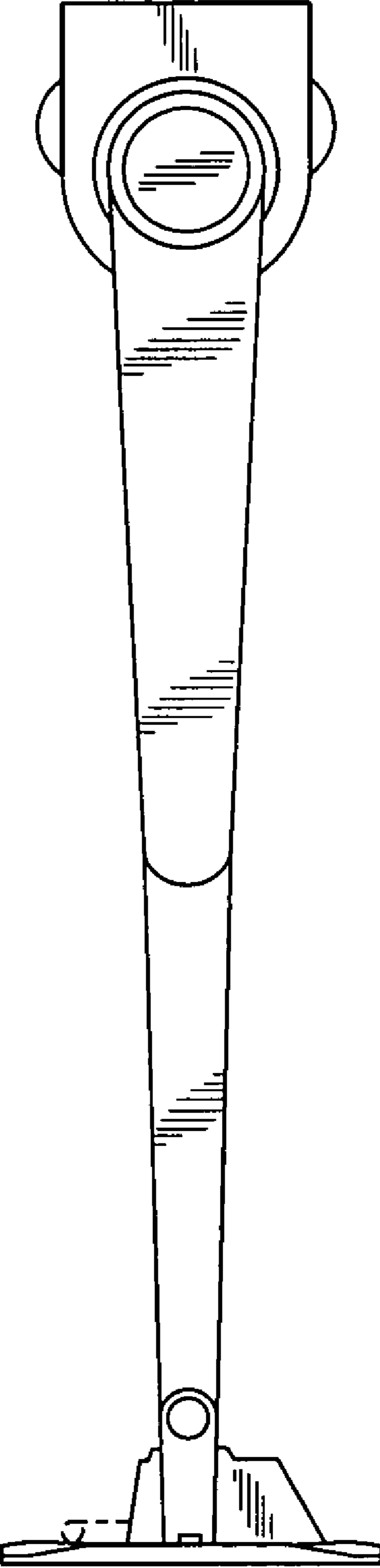


FIG. 3

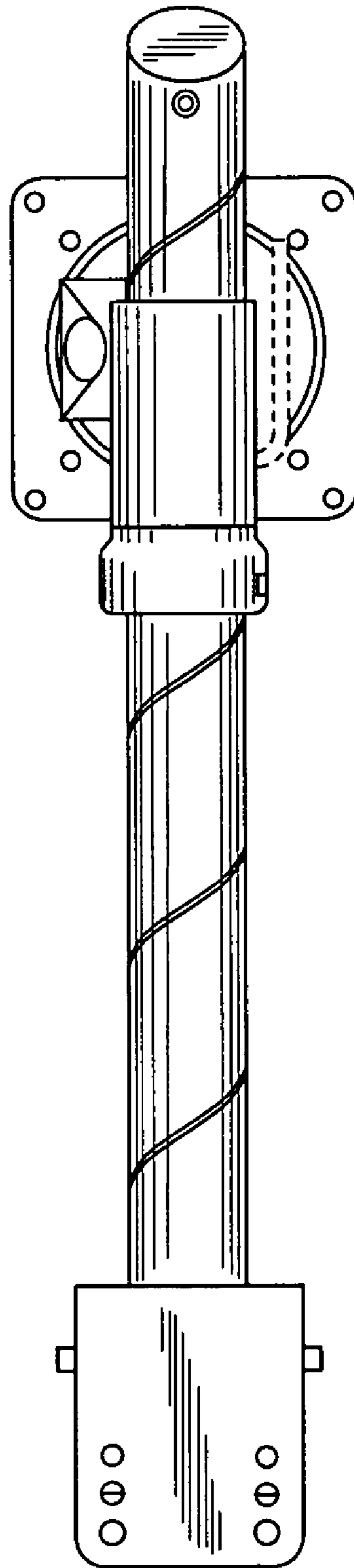


FIG. 4

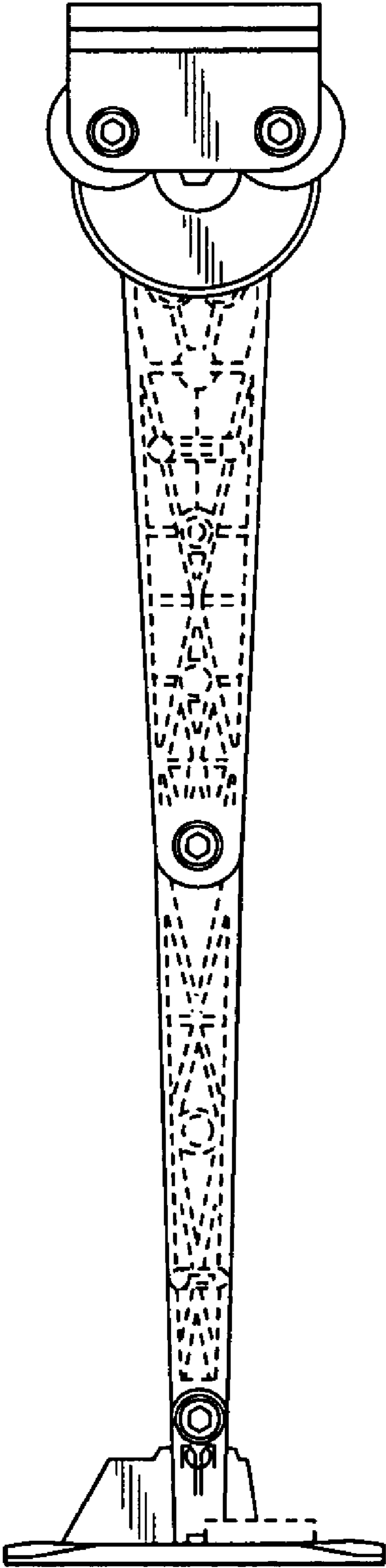


FIG. 5

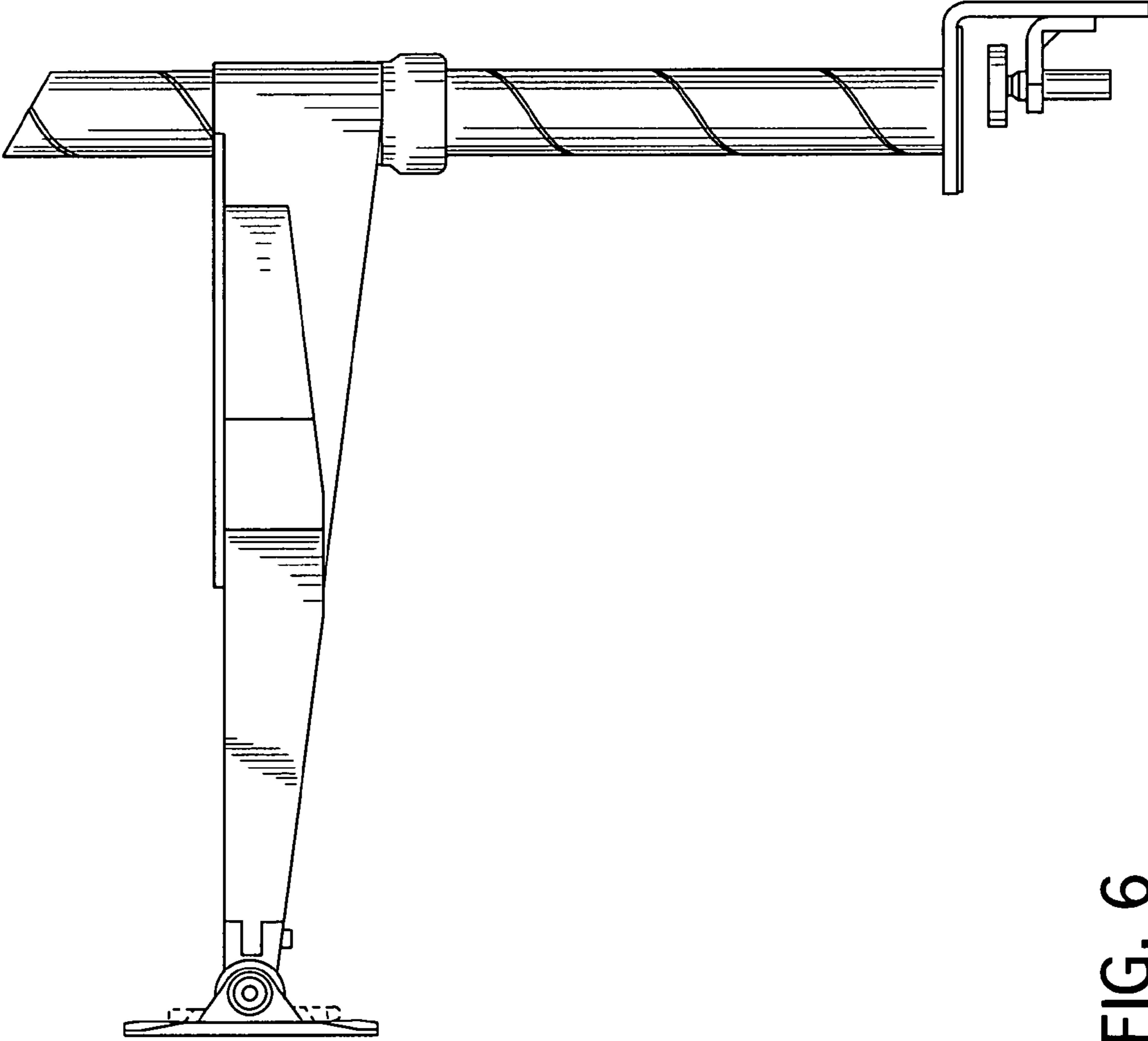


FIG. 6

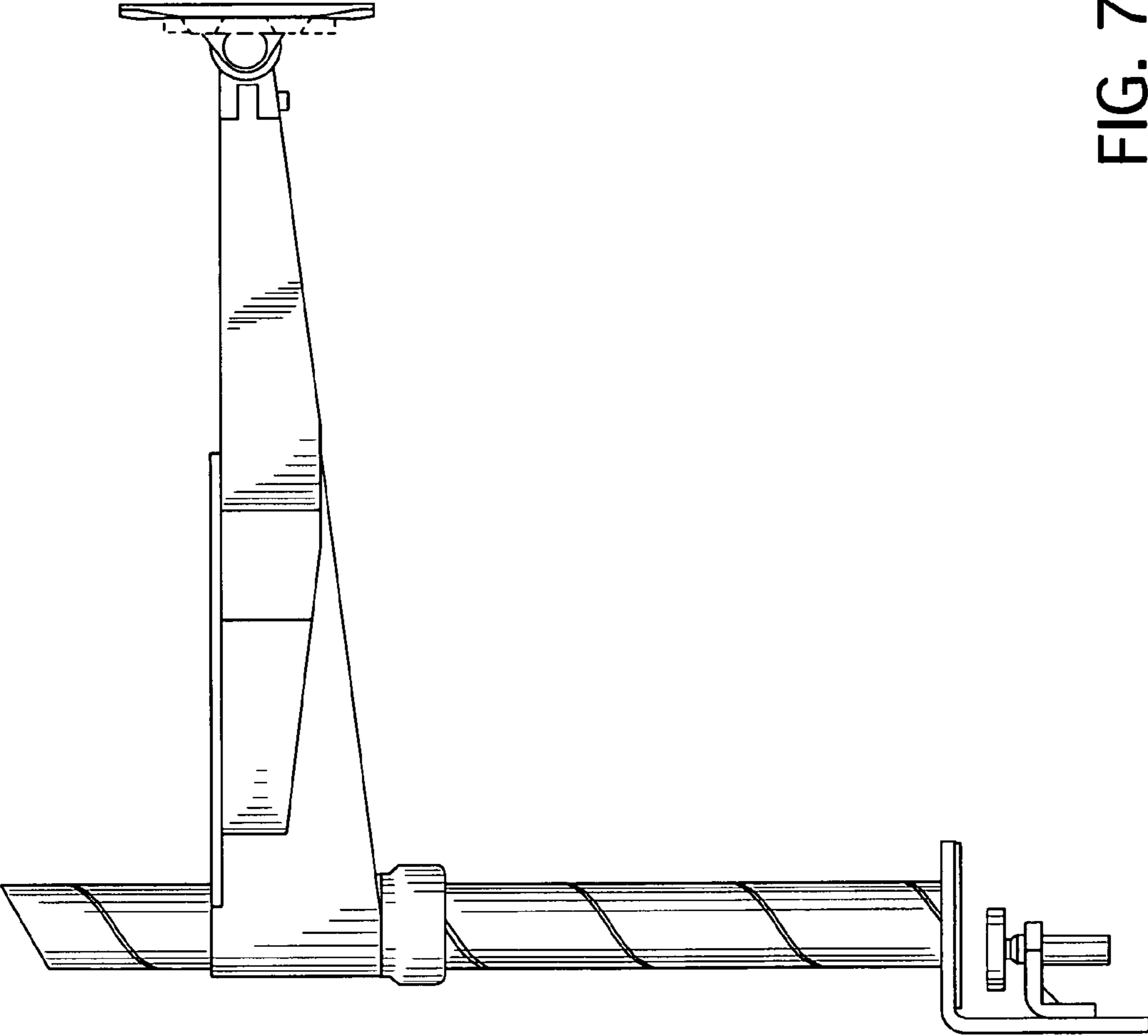


FIG. 7

UNITED STATES PATENT AND TRADEMARK OFFICE
CERTIFICATE OF CORRECTION

PATENT NO. : Des. 606,548 S
APPLICATION NO. : 29/331178
DATED : December 22, 2009
INVENTOR(S) : Richard Sapper

Page 1 of 1

It is certified that error appears in the above-identified patent and that said Letters Patent is hereby corrected as shown below:

Title Page;

At the DESCRIPTION, line 2 of the paragraph following the description of figures, delete "arms".

Signed and Sealed this

First Day of June, 2010

A handwritten signature in black ink that reads "David J. Kappos". The signature is written in a cursive, flowing style.

David J. Kappos
Director of the United States Patent and Trademark Office