



US00D606547S

(12) **United States Design Patent**  
**Kamata et al.**

(10) **Patent No.:** **US D606,547 S**

(45) **Date of Patent:** **\*\* Dec. 22, 2009**

(54) **PERSONAL COMPUTER**

(75) Inventors: **Shoichi Kamata**, Sagamihara (JP);  
**Tetsuya Yamaoka**, Kawasaki (JP)

(73) Assignee: **Fujitsu Limited**, Kawasaki (JP)

(\*\*) Term: **14 Years**

(21) Appl. No.: **29/309,724**

(22) Filed: **Sep. 29, 2008**

(30) **Foreign Application Priority Data**

Mar. 28, 2008 (JP) ..... 2008-007949

(51) **LOC (9) Cl.** ..... **08-07**

(52) **U.S. Cl.** ..... **D14/451; D14/447**

(58) **Field of Classification Search** ..... D14/447,  
D14/448, 451, 452, 457, 459, 460, 461, 239,  
D14/251, 253, 224.1, 125, 126, 432, 434,  
D14/439, 371-382; D8/354, 363, 373, 380;  
D19/90, 91; D18/4.4, 4.5, 4.6, 12; D6/300,  
D6/310, 312, 313, 314, 449, 512; D13/139.5,  
D13/108; D21/333; D10/74; D12/415;  
248/917-924, 675, 676, 678, 447, 122.1,  
248/176.1, 176.3, 205.5, 205.8, 324; 312/323.3;  
379/446, 454, 455; 361/679.02, 679.06,  
361/679.07, 679.21, 679.22, 679.24, 679.26,  
361/679.3, 679.46, 679.49, 679.55, 679.56,  
361/679.58, 679.6, 693, 697, 809, 810, 825,  
361/827; D16/242

See application file for complete search history.

(56) **References Cited**

**U.S. PATENT DOCUMENTS**

D378,265 S \* 3/1997 Vicard et al. .... D7/619.1  
6,443,408 B1 \* 9/2002 Hung ..... 248/176.1  
6,712,321 B1 \* 3/2004 Su et al. .... 248/123.11  
D499,097 S \* 11/2004 Tsuji et al. .... D14/375  
D521,511 S \* 5/2006 Kim et al. .... D14/375  
7,040,823 B2 \* 5/2006 Silverbrook ..... 400/419

D549,232 S \* 8/2007 Li et al. .... D14/447  
D551,663 S \* 9/2007 Kita ..... D14/239  
D558,201 S \* 12/2007 Park et al. .... D14/375  
7,338,019 B2 \* 3/2008 Liu et al. .... 248/123.11  
D589,960 S \* 4/2009 Son et al. .... D14/375  
2007/0262209 A1 \* 11/2007 She et al. .... 248/122.1  
2008/0192417 A1 \* 8/2008 Hwang et al. .... 361/681

\* cited by examiner

*Primary Examiner*—Jennifer Rivard

*Assistant Examiner*—Angela J Lee

(74) *Attorney, Agent, or Firm*—Staas & Halsey LLP

(57) **CLAIM**

The ornamental design for a personal computer, as shown and described.

**DESCRIPTION**

FIG. 1 is a perspective view of top, front and right side of a personal computer showing our new design;

FIG. 2 is a perspective view of top, rear and left side thereof;

FIG. 3 is a front view thereof;

FIG. 4 is a rear view thereof;

FIG. 5 is a left side view thereof;

FIG. 6 is a right side view thereof;

FIG. 7 is a top plan view thereof;

FIG. 8 is a bottom view thereof;

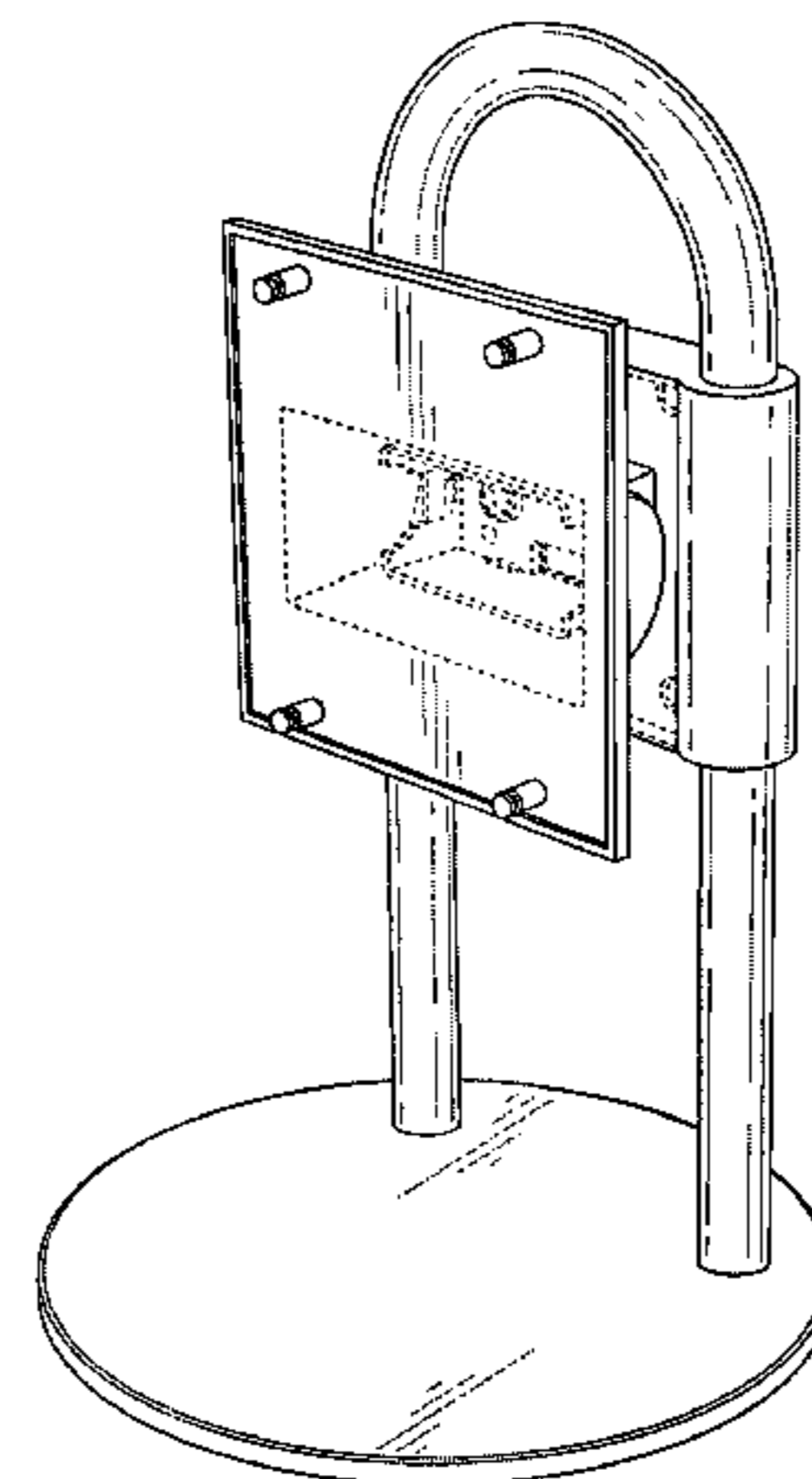
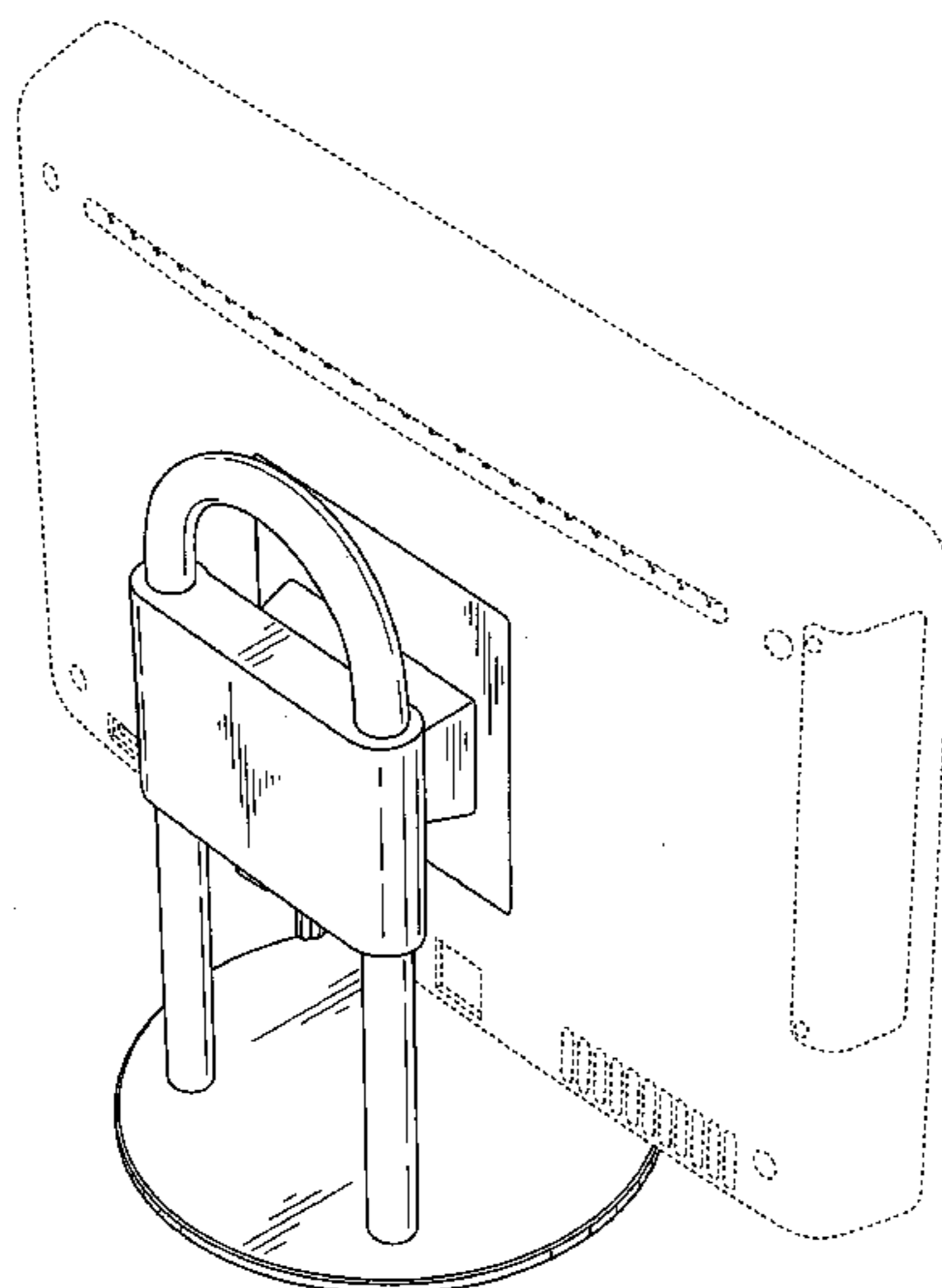
FIG. 9 is a right side view thereof where the display portion is in a raised position;

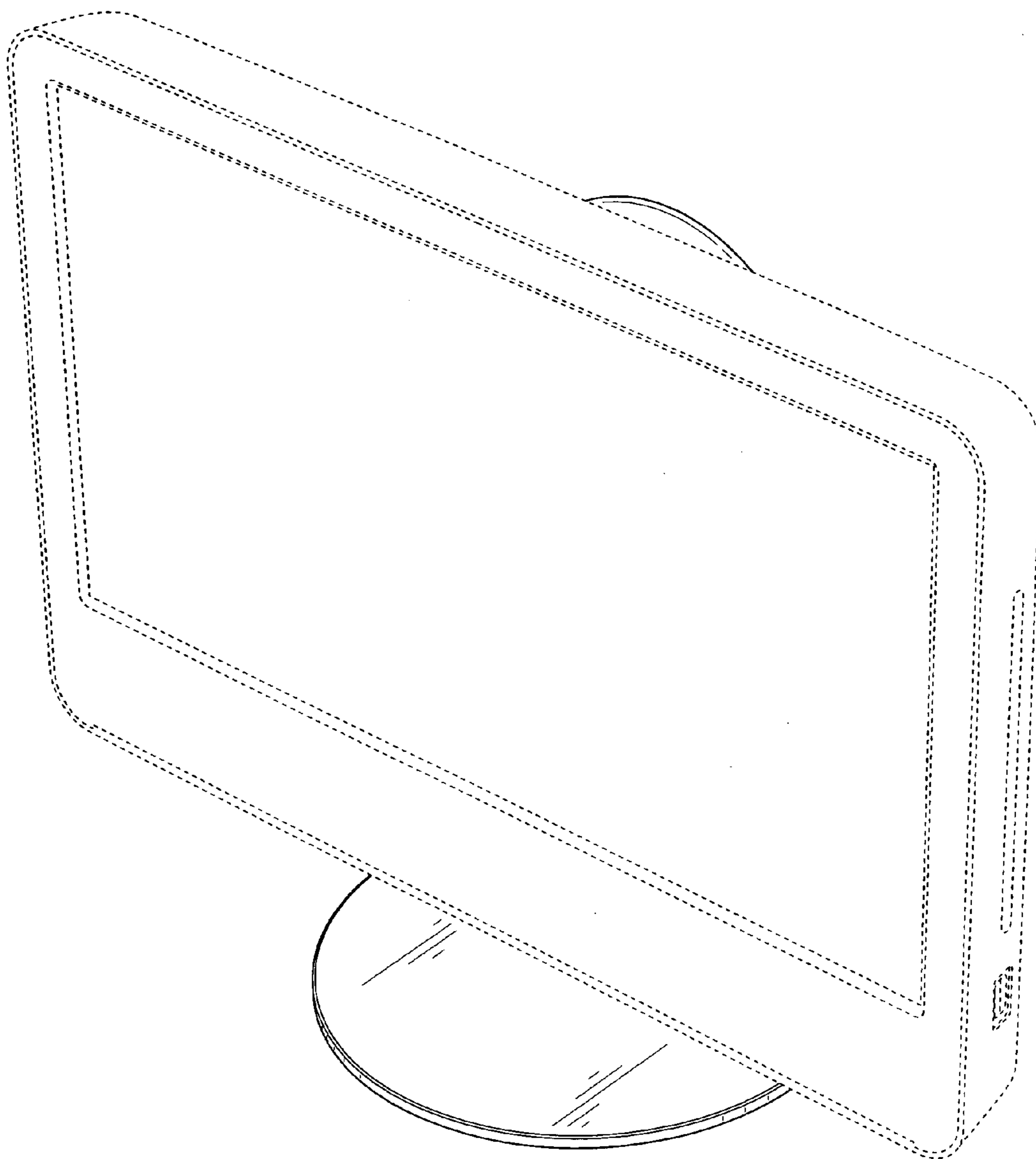
FIG. 10 is a right side view thereof where the display portion is in a lowered position; and,

FIG. 11 is a perspective view thereof where the display portion is removed.

The portions of the article in broken lines are shown for illustrative purposes only and form no part of the claimed design.

**1 Claim, 8 Drawing Sheets**





*FIG. 1*

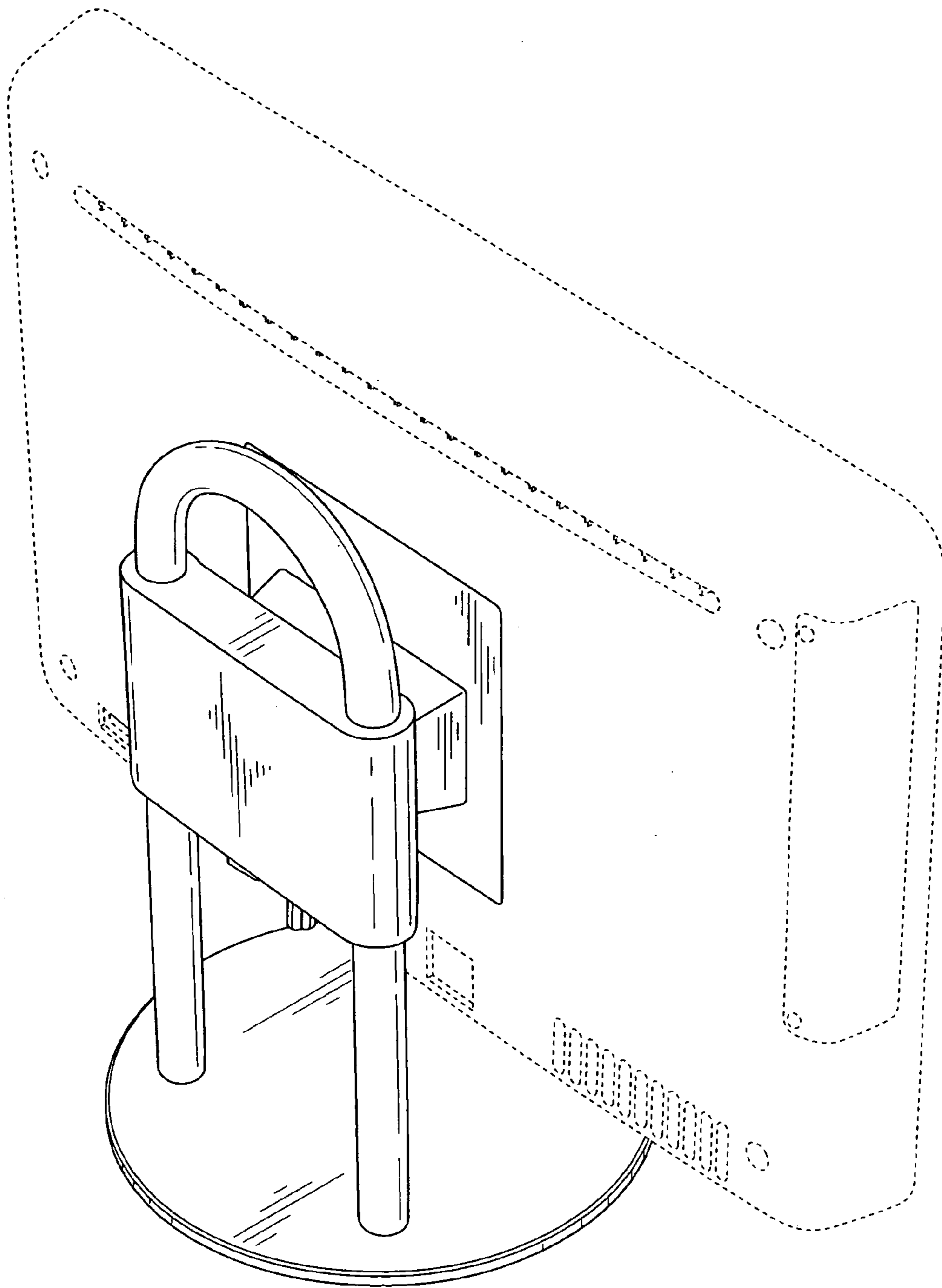
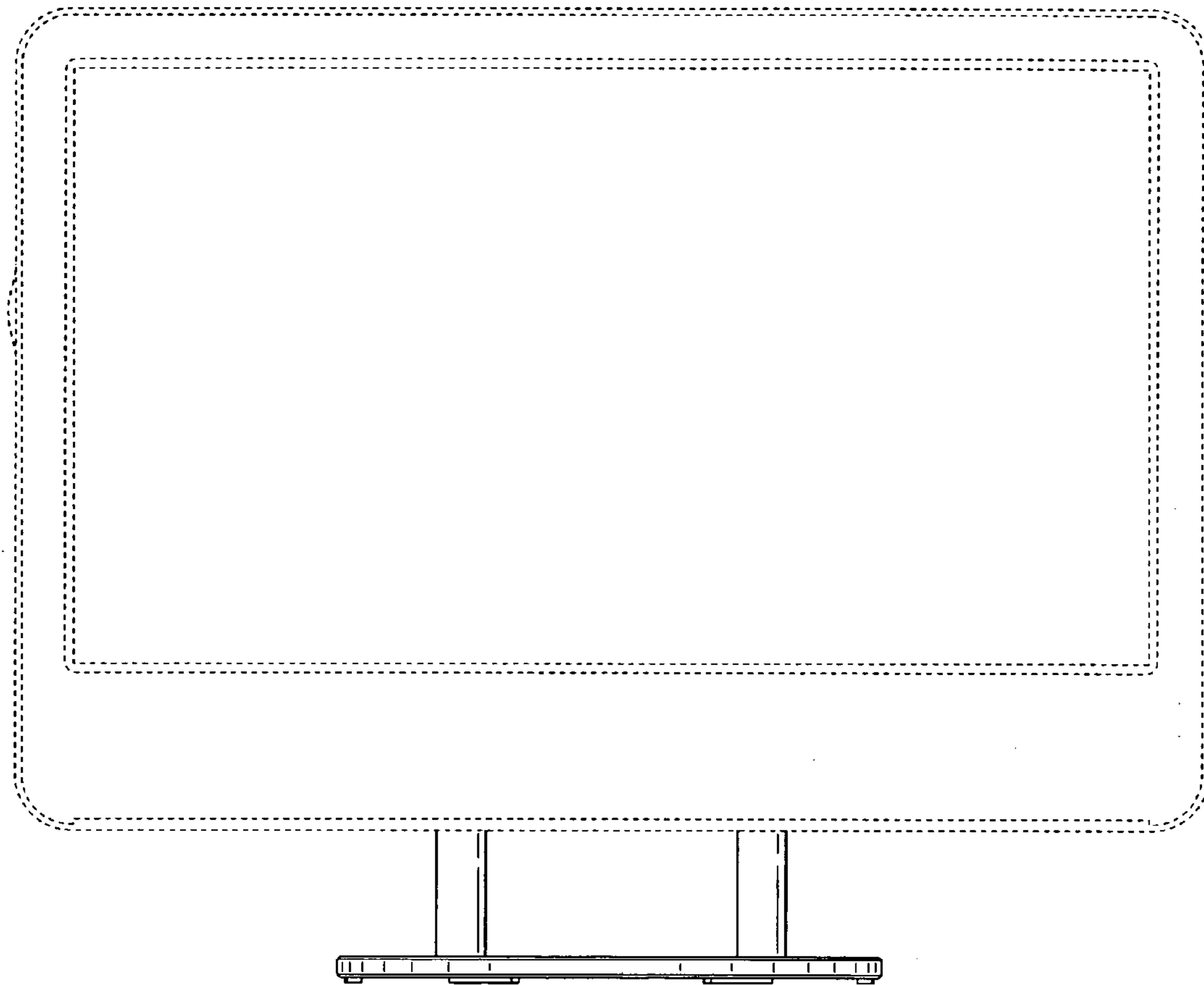


FIG. 2



*FIG. 3*

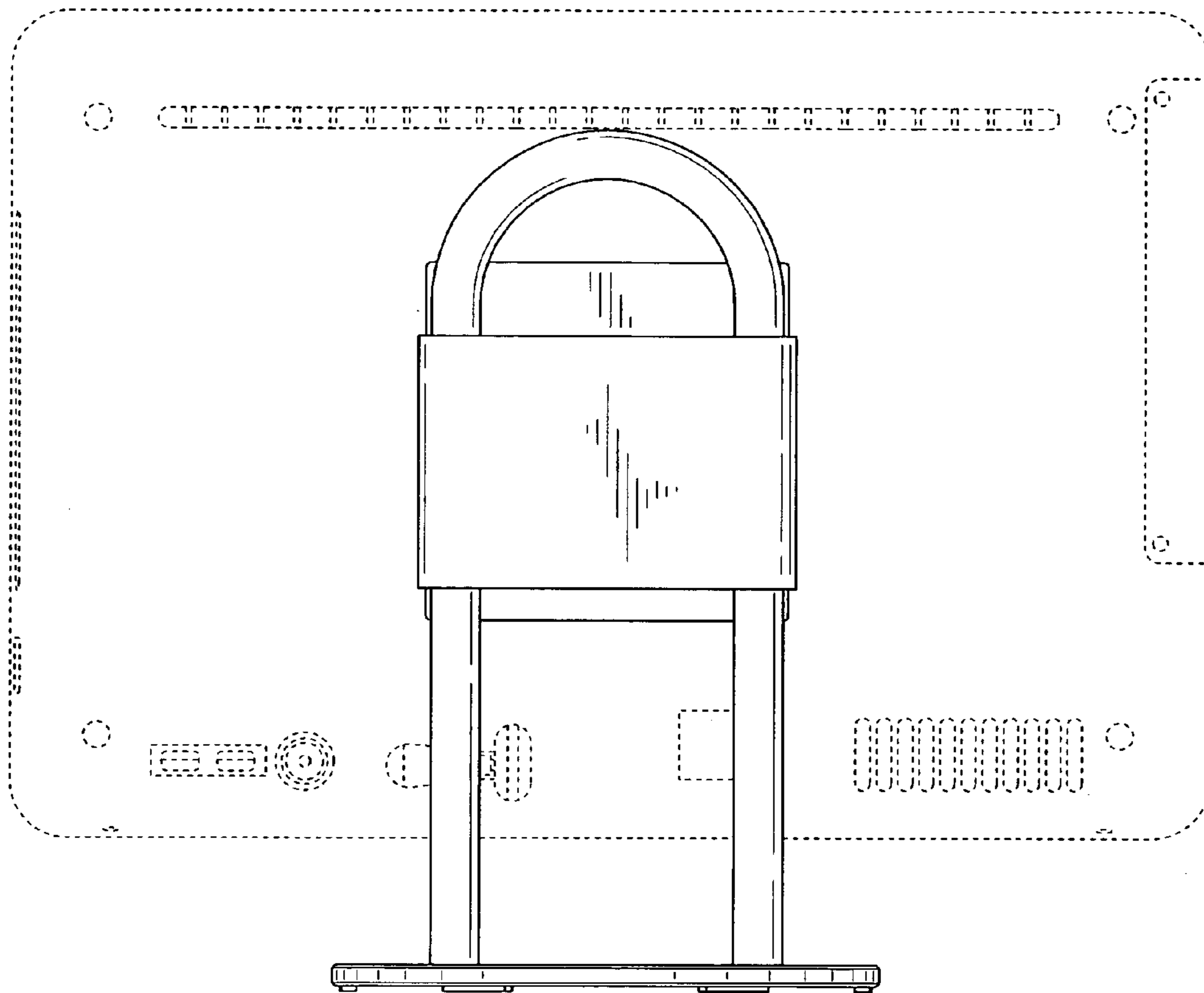


FIG. 4

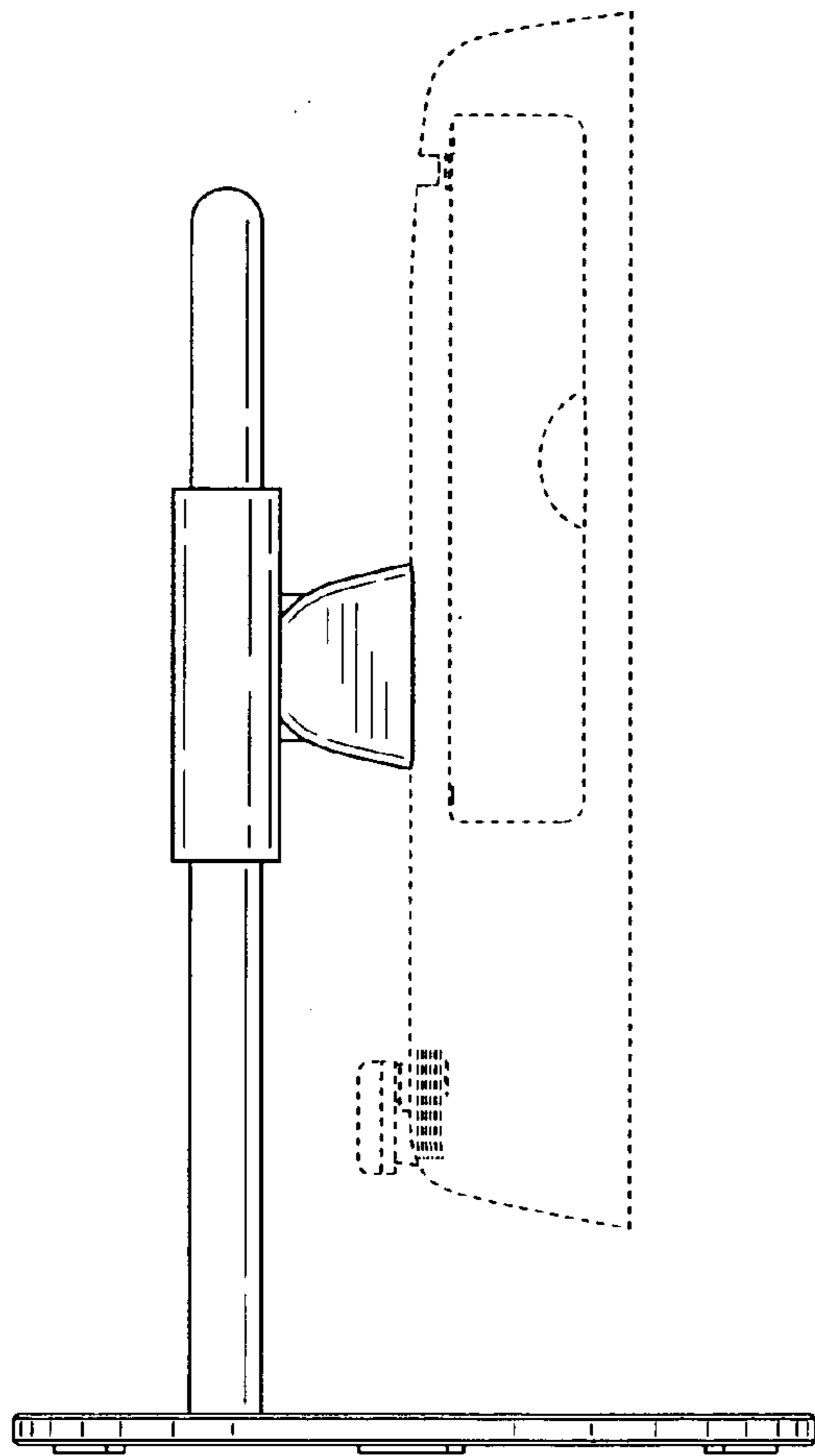


FIG. 5

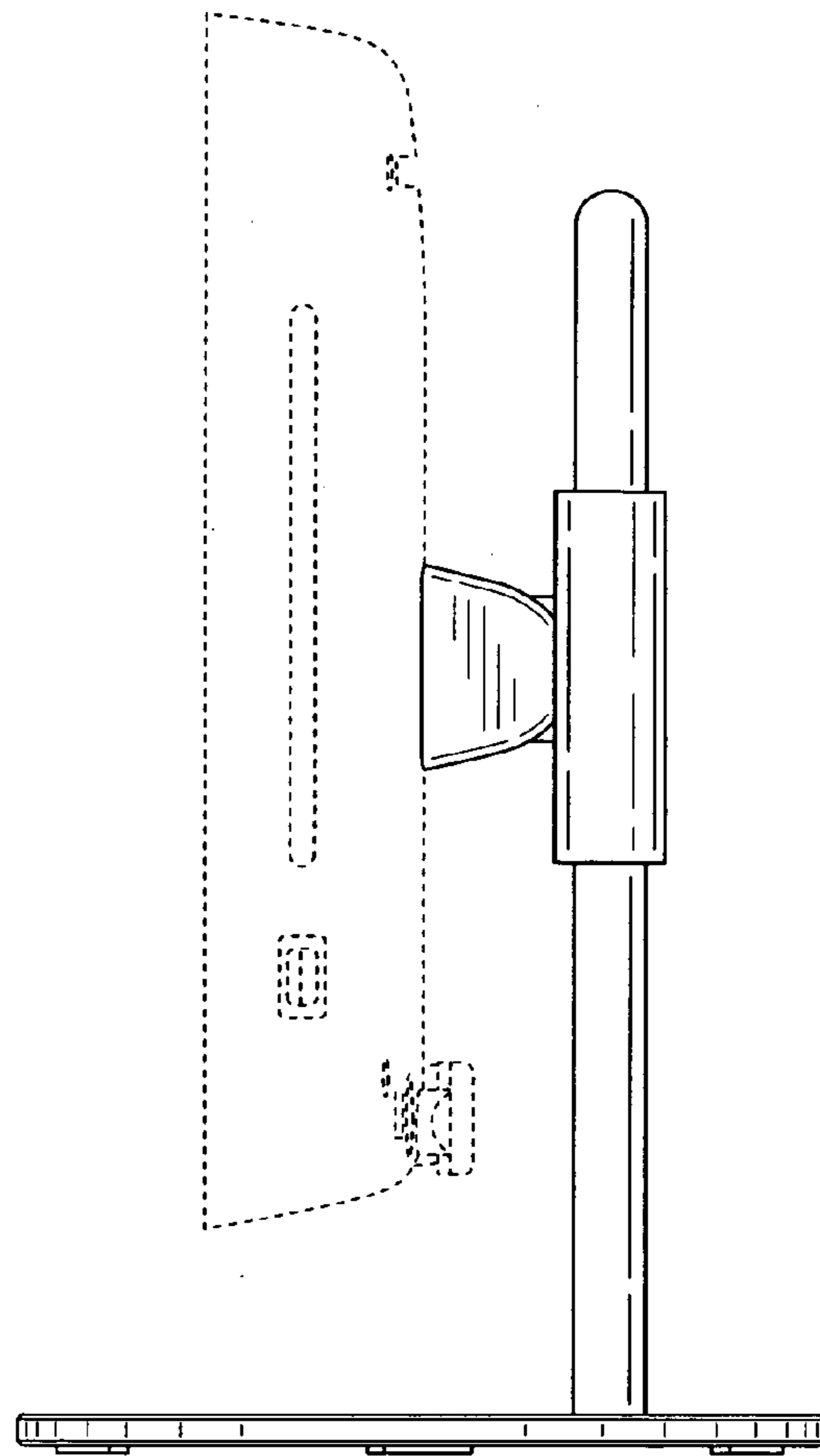
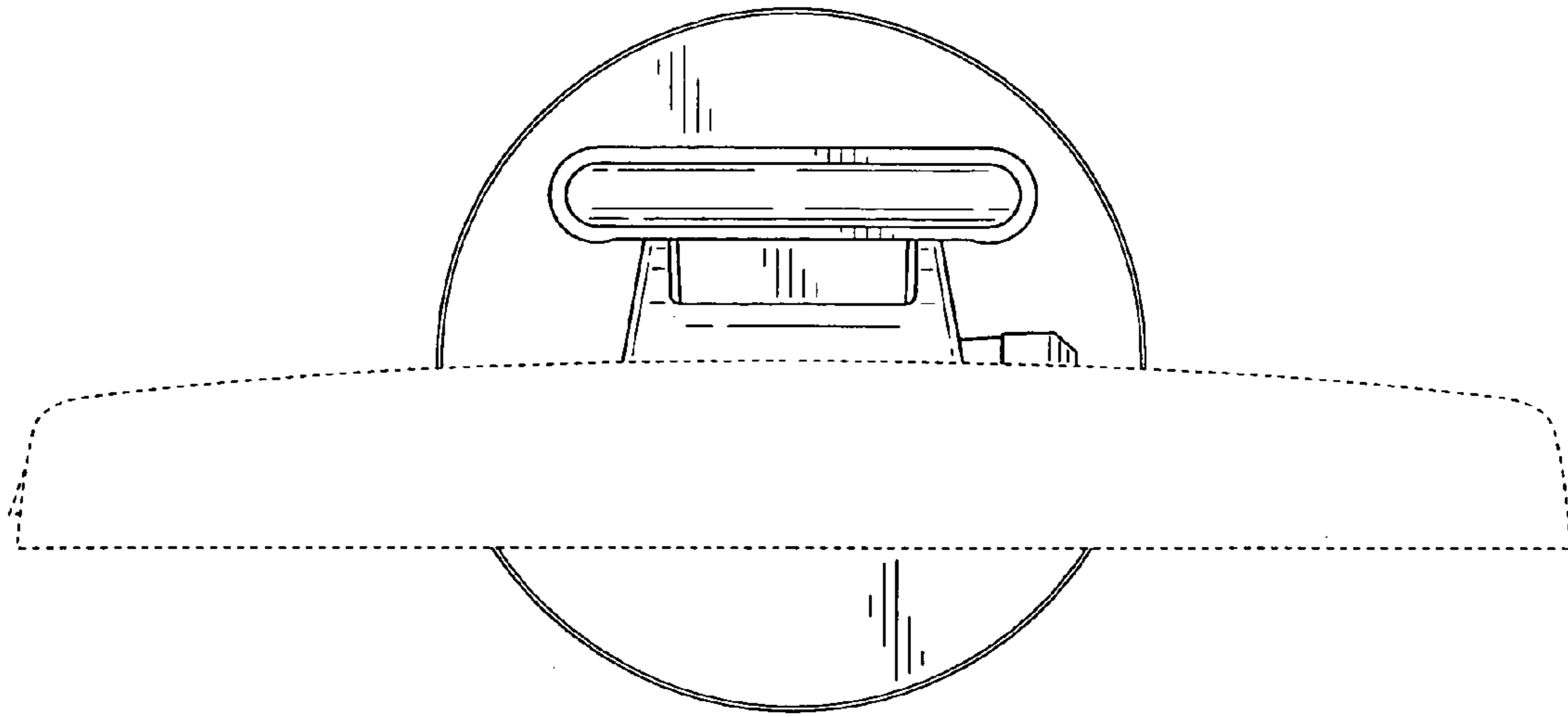
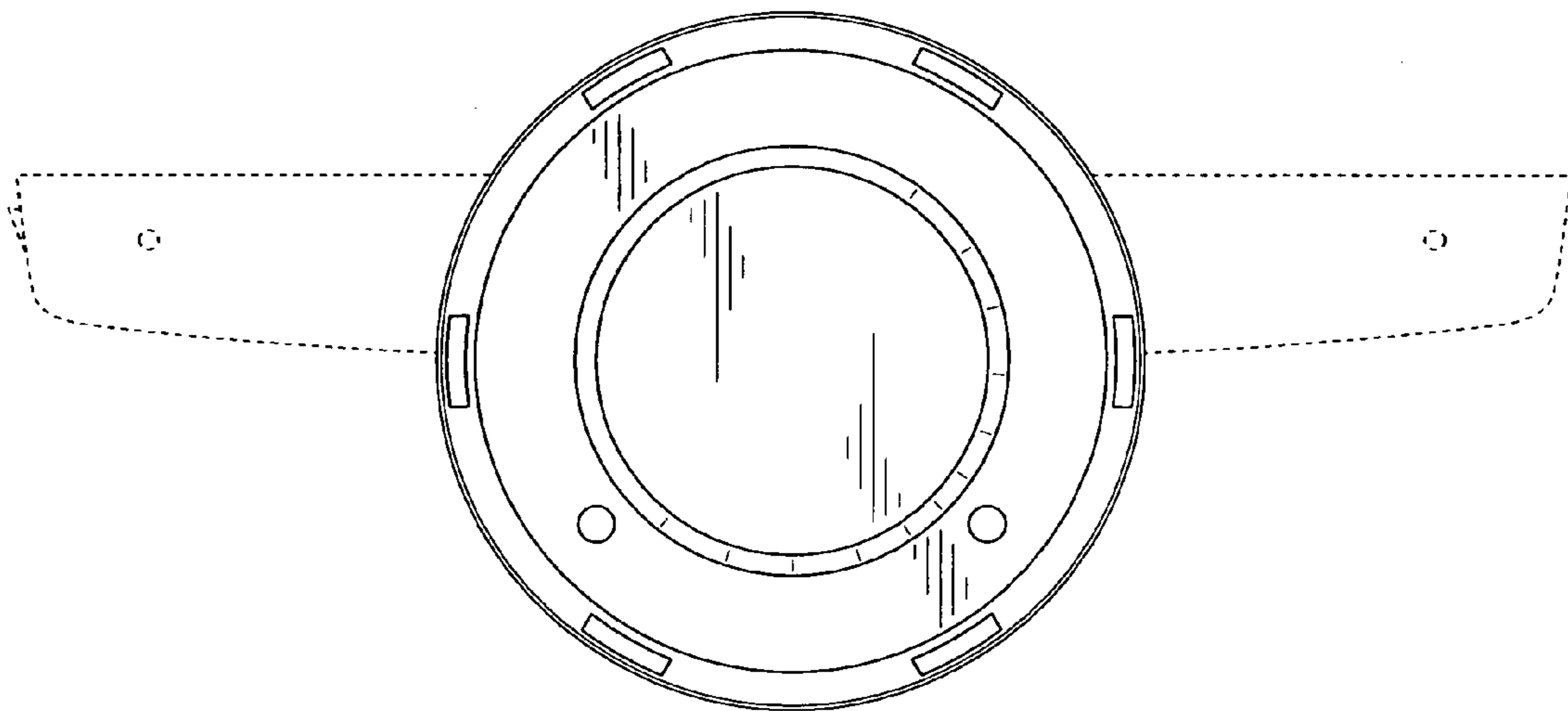


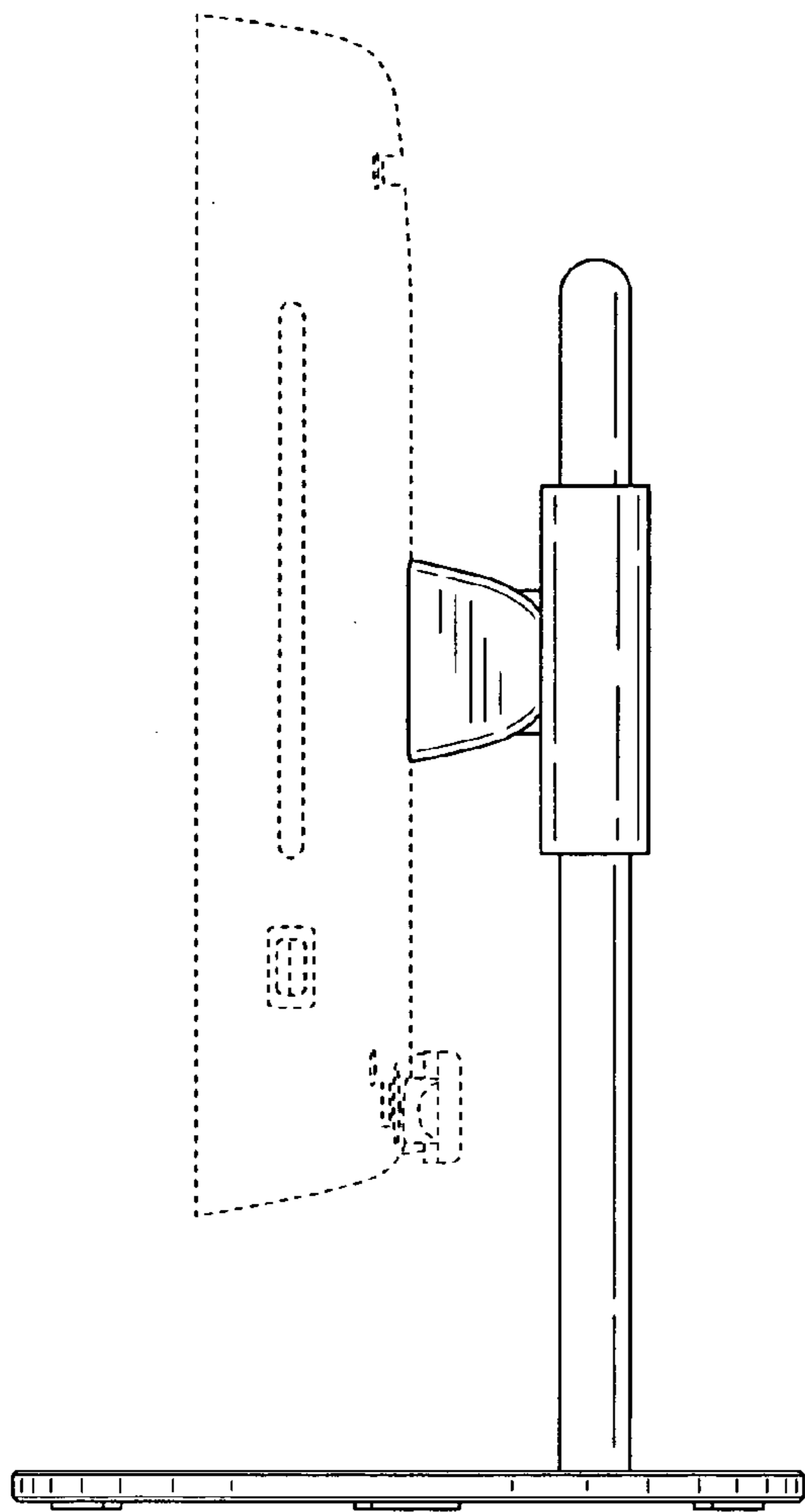
FIG. 6



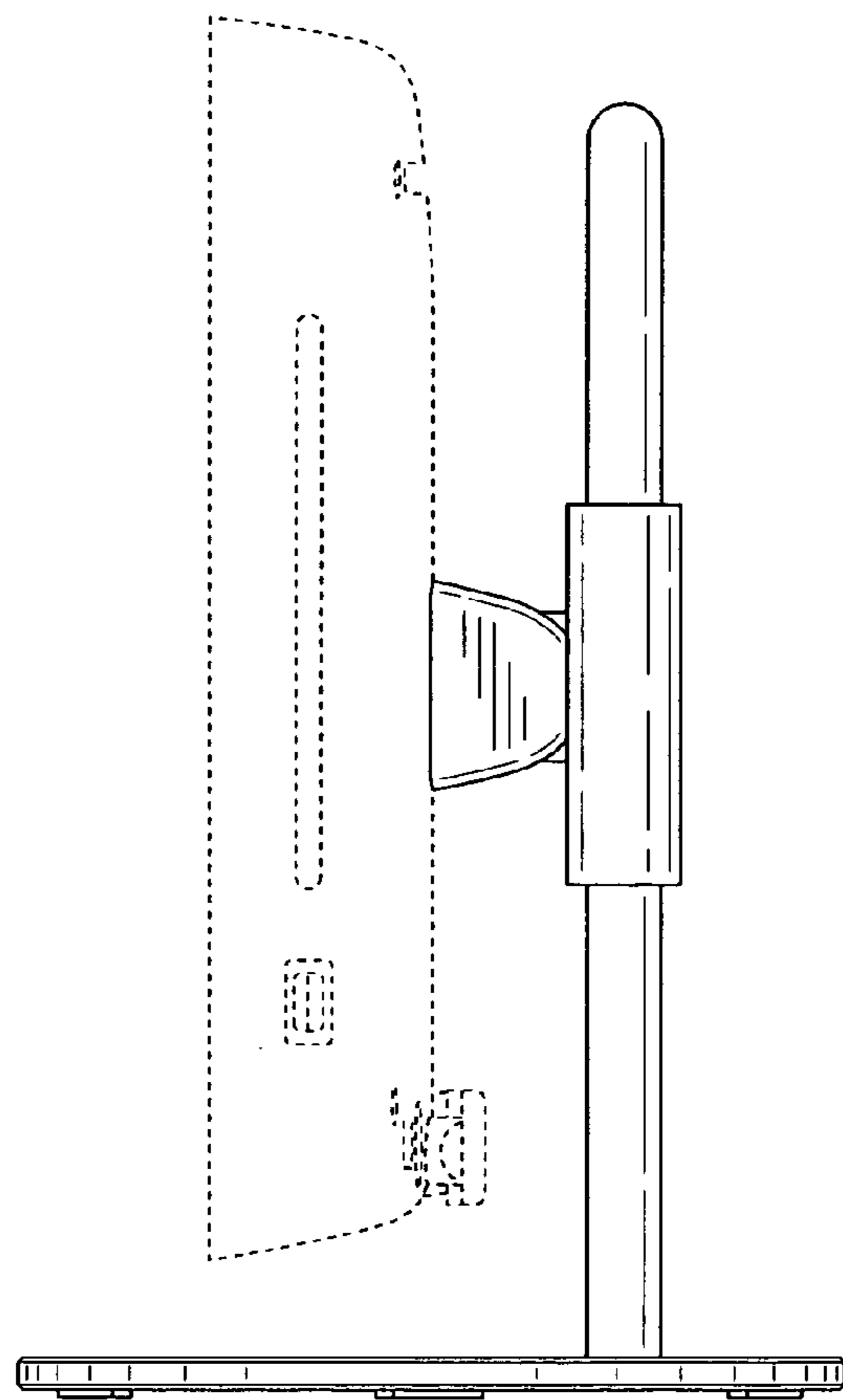
*FIG. 7*



*FIG. 8*

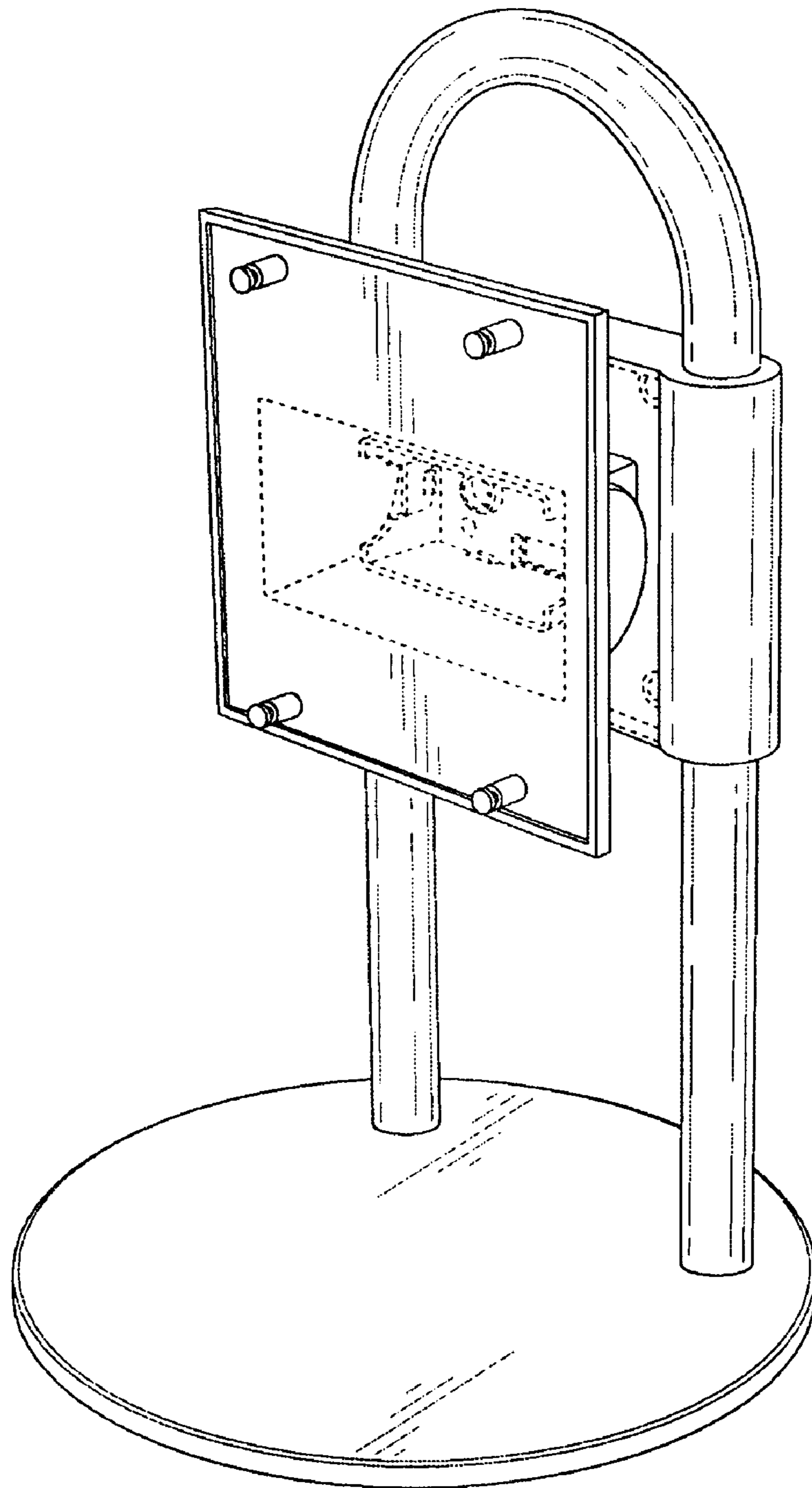


*FIG. 9*



*FIG. 10*





*FIG. 11*