



US00D606546S

(12) **United States Design Patent**  
**Morooka et al.**

(10) **Patent No.:** **US D606,546 S**

(45) **Date of Patent:** **\*\* Dec. 22, 2009**

(54) **PERSONAL COMPUTER**

(75) Inventors: **Hisao Morooka**, Inagi (JP); **Mikako Sanjo**, Yokohama (JP)

(73) Assignee: **Fujitsu Limited**, Kawasaki (JP)

(\*\*) Term: **14 Years**

(21) Appl. No.: **29/293,945**

(22) Filed: **Dec. 19, 2007**

(30) **Foreign Application Priority Data**

Sep. 26, 2007 (JP) ..... 2007-025960

(51) **LOC (9) Cl.** ..... **14-02**

(52) **U.S. Cl.** ..... **D14/439**

(58) **Field of Classification Search** ..... D14/315-327,  
D14/348, 349, 351, 353-355, 385, 388-398,  
D14/432-434, 439-447; 361/679.01, 679.02,  
361/679.07, 679.08, 679.09, 679.1, 679.18,  
361/679.19, 679.2, 679.26, 679.27, 679.28,  
361/679.31, 679.55, 679.57, 679.58  
See application file for complete search history.

(56) **References Cited**

**U.S. PATENT DOCUMENTS**

D45,257 S *	2/1914	Hasburg	.....	D19/35
D344,930 S *	3/1994	Schaeffer	.....	D13/171
5,508,719 A *	4/1996	Gervais	.....	345/157
D377,337 S *	1/1997	Schaeffer	.....	D13/171
5,675,360 A *	10/1997	Takegoshi et al.	.....	345/167
5,701,142 A *	12/1997	Brown et al.	.....	345/168
5,883,690 A *	3/1999	Meyers et al.	.....	345/161
6,087,605 A *	7/2000	Heidenfels et al.	.....	200/345
6,088,023 A *	7/2000	Louis et al.	.....	345/173
D437,835 S *	2/2001	Decosse	.....	D13/174
D442,921 S *	5/2001	Bonn	.....	D13/174
D456,026 S *	4/2002	Goto	.....	D14/447
D461,813 S *	8/2002	Chang	.....	D14/432
D476,810 S *	7/2003	Liebe	.....	D3/294

6,674,425 B1 *	1/2004	Louis et al.	.....	345/173
6,724,369 B2 *	4/2004	Slotta	.....	345/161
6,826,042 B2 *	11/2004	Oross et al.	.....	361/679.1
D503,280 S *	3/2005	Eberwein et al.	.....	D3/321
6,920,041 B2 *	7/2005	Oross et al.	.....	361/679.06
6,933,921 B2 *	8/2005	Yasuda et al.	.....	345/157
D518,484 S *	4/2006	Kanayama	.....	D14/439
7,057,603 B2 *	6/2006	Hill et al.	.....	345/161
D554,646 S *	11/2007	Deng	.....	D14/444
7,480,522 B2 *	1/2009	Wong et al.	.....	455/575.1

\* cited by examiner

*Primary Examiner*—Cathron C Brooks

*Assistant Examiner*—Deanna Fluegeman

(74) *Attorney, Agent, or Firm*—Staas & Halsey LLP

(57) **CLAIM**

The ornamental design for a personal computer, as shown and described.

**DESCRIPTION**

FIG. 1 is a perspective view of top, front and right side of a personal computer showing our new design;

FIG. 2 is a front view thereof;

FIG. 3 is a rear view thereof;

FIG. 4 is a top plan view thereof;

FIG. 5 is a bottom view thereof;

FIG. 6 is a left side view thereof;

FIG. 7 is a right side view thereof;

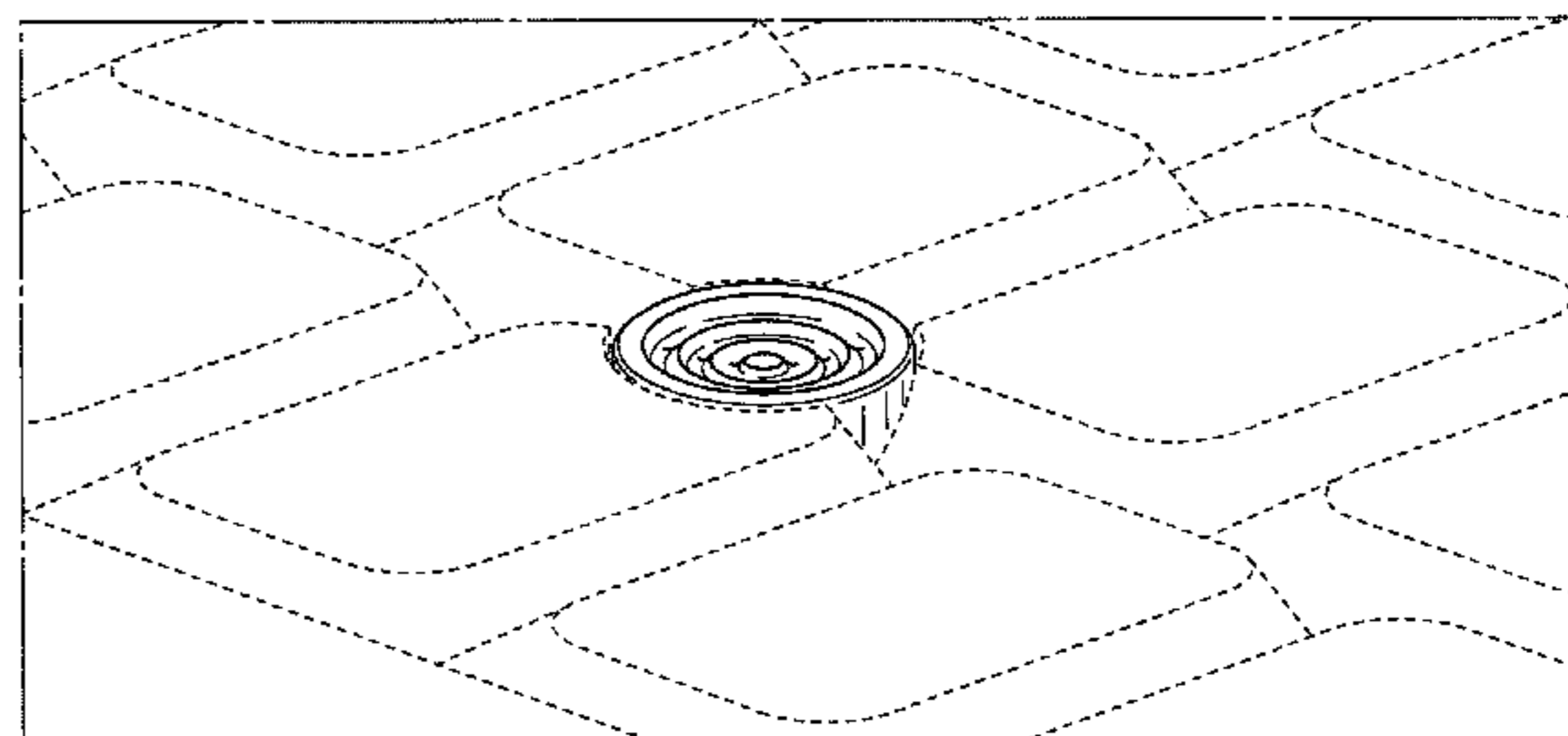
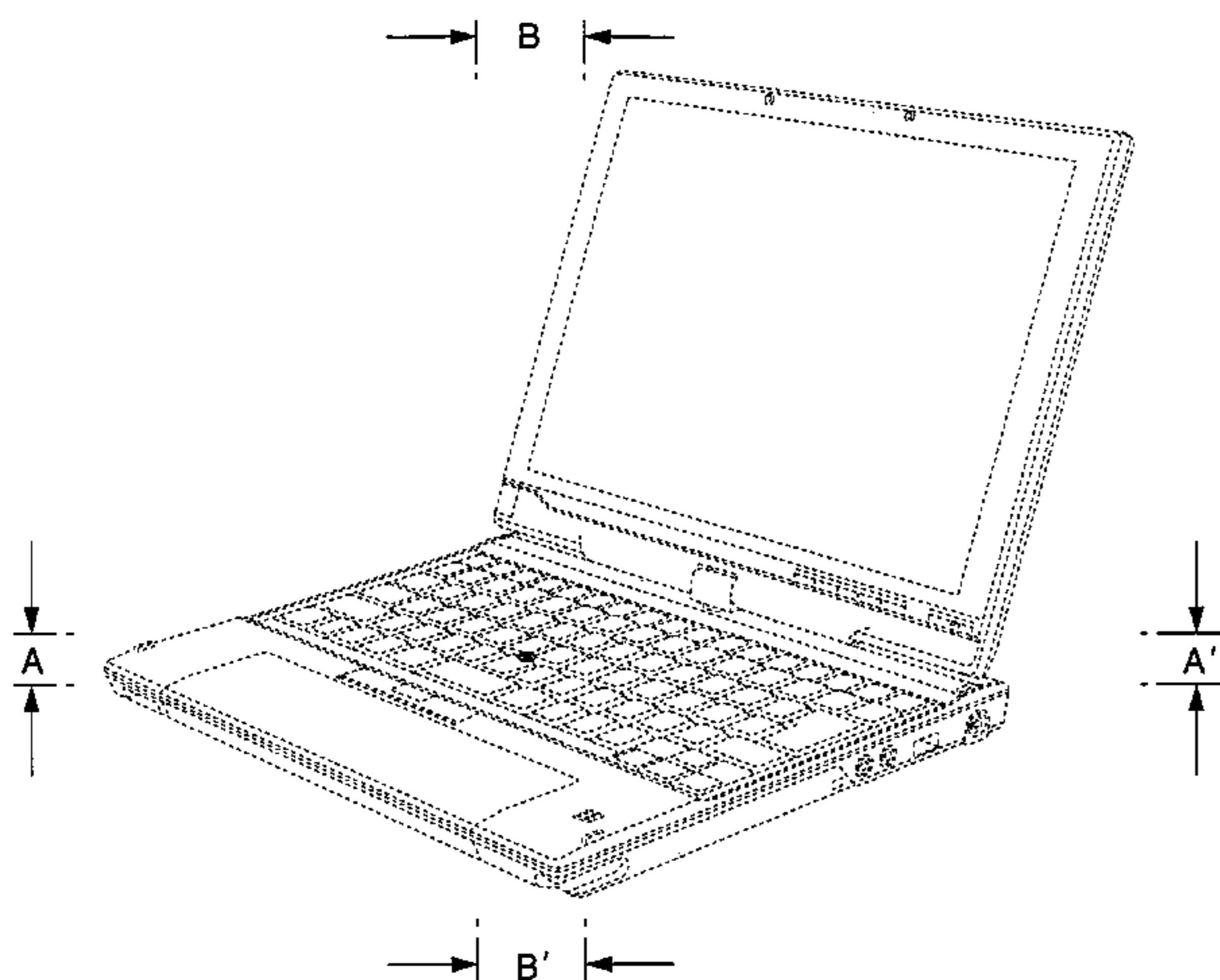
FIG. 8 is an enlarged perspective view at A-A' and B-B' thereof;

FIG. 9 is an enlarged top plan view at C-C' and D-D'; and,

FIG. 10 is a cross sectional view at 10-10 omitting interior mechanism thereof.

The portions of the article in broken lines are shown for illustrative purposes only and form no part of the claimed design.

**1 Claim, 8 Drawing Sheets**



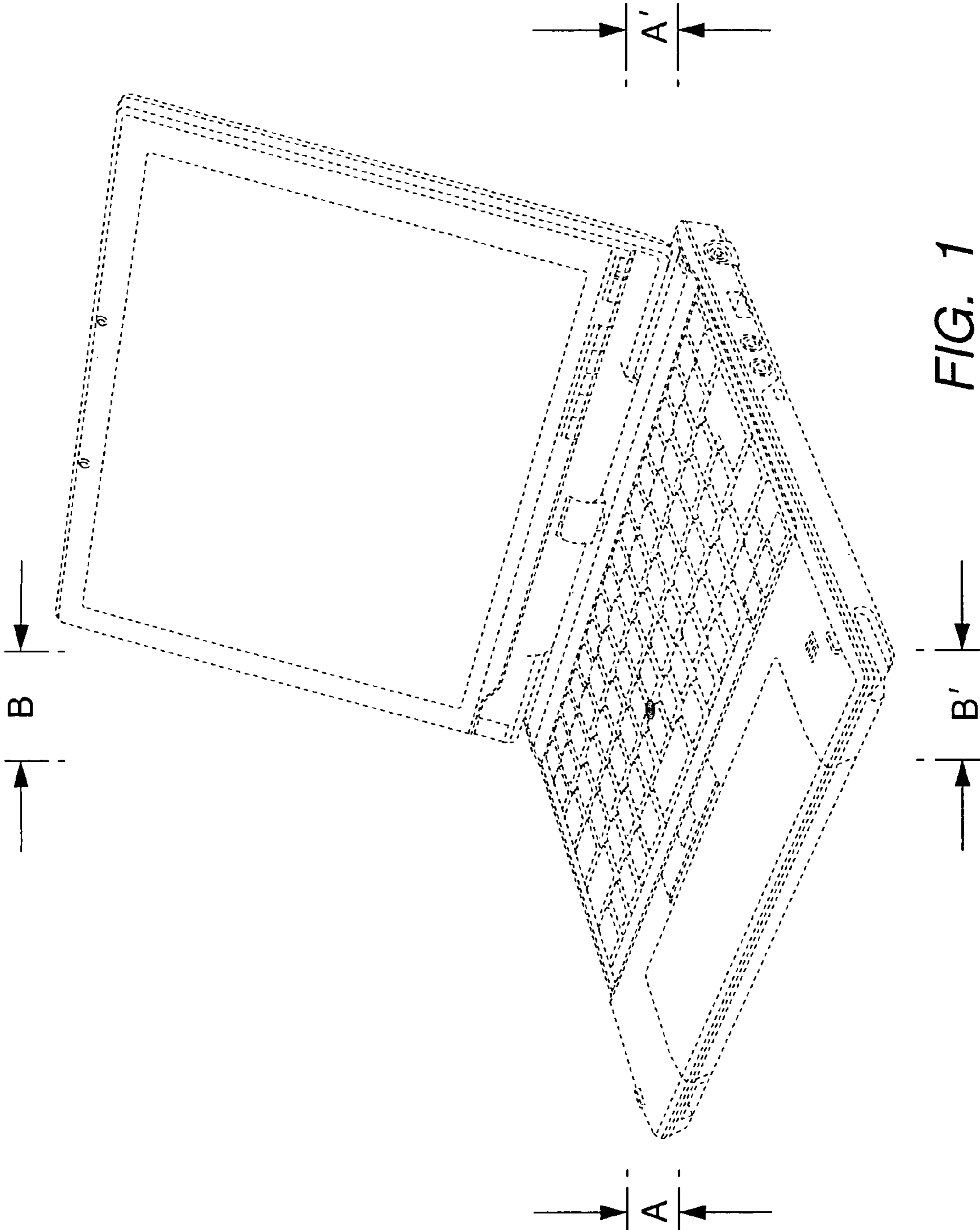


FIG. 1

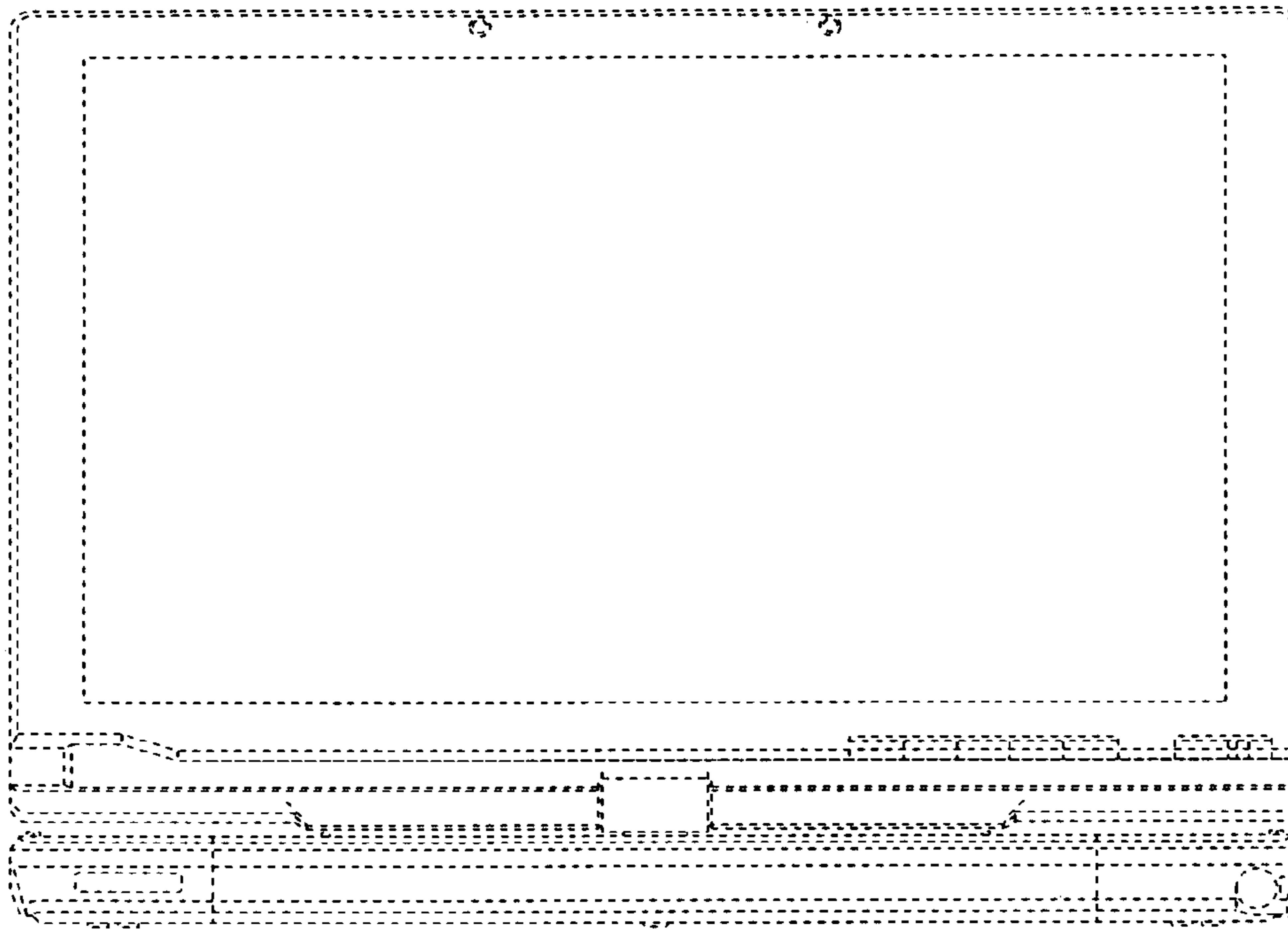


FIG. 2

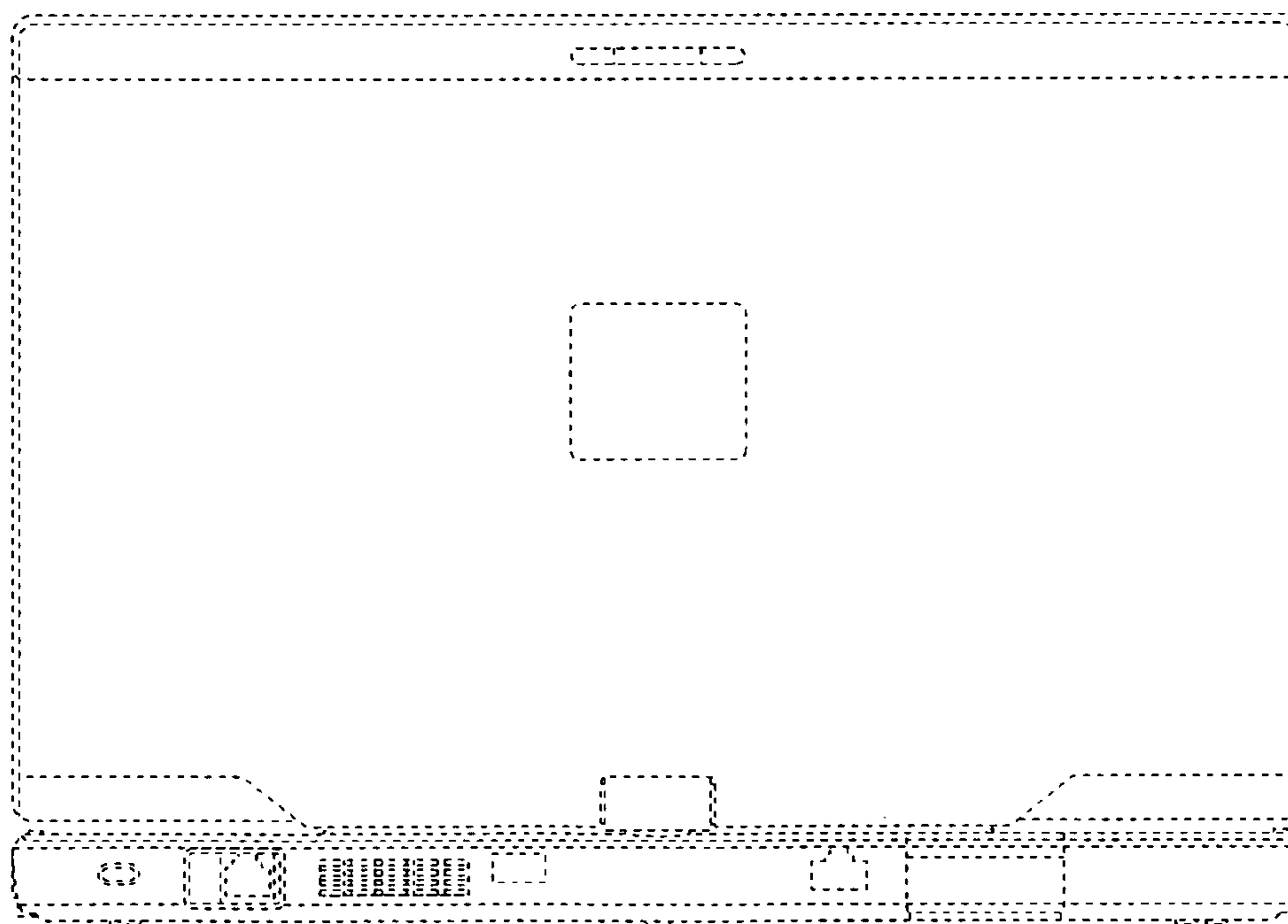


FIG. 3

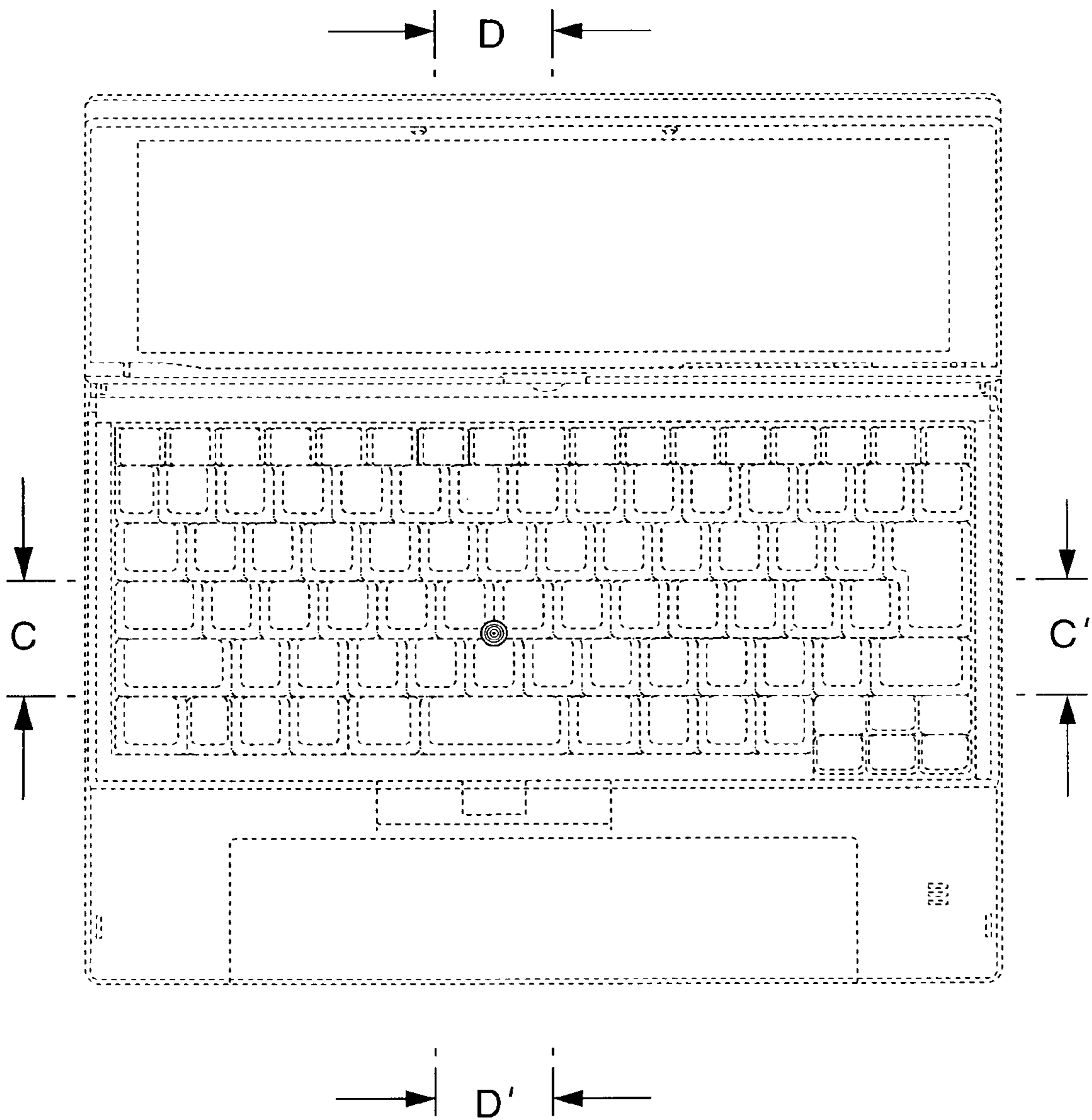
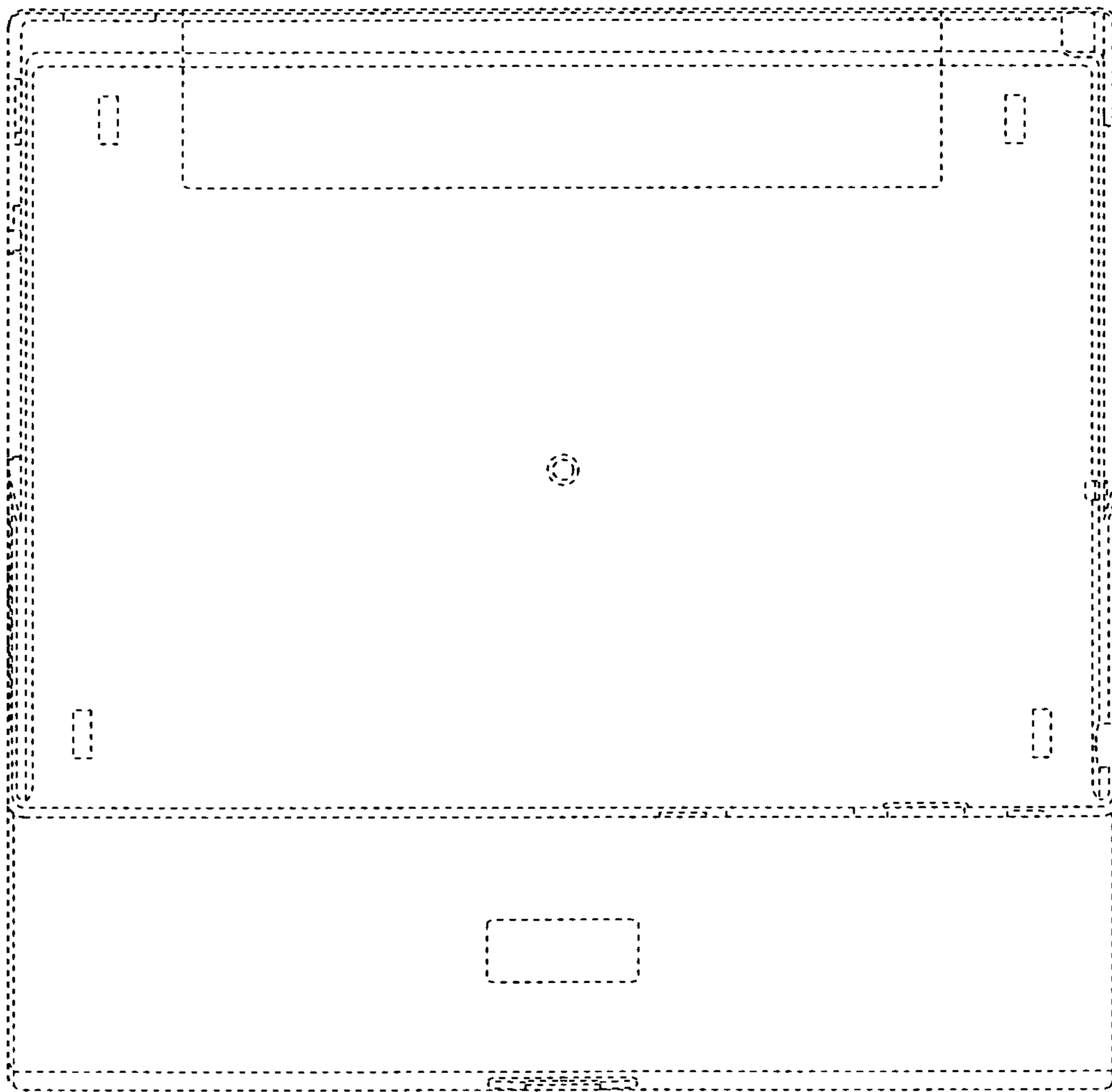
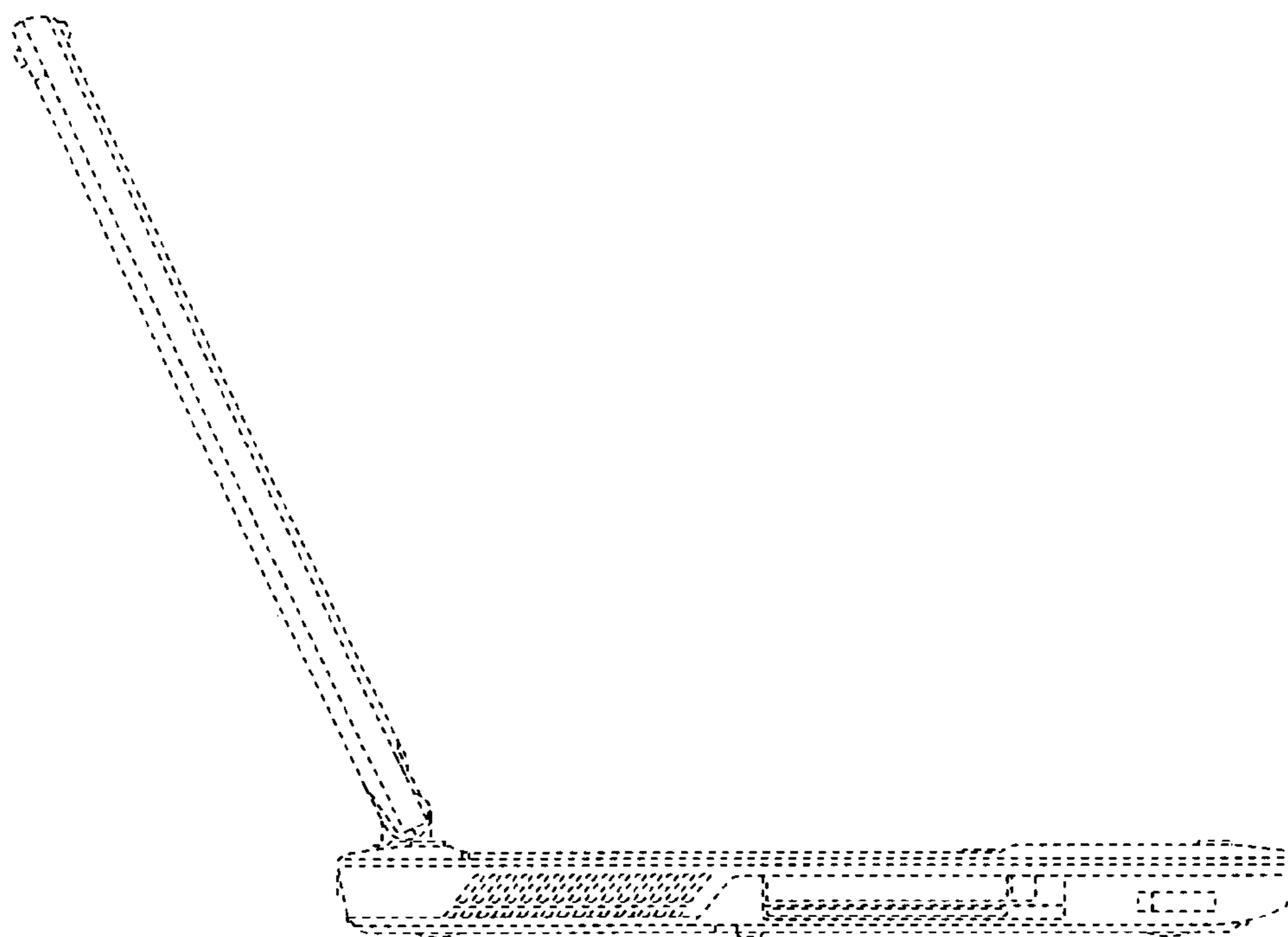


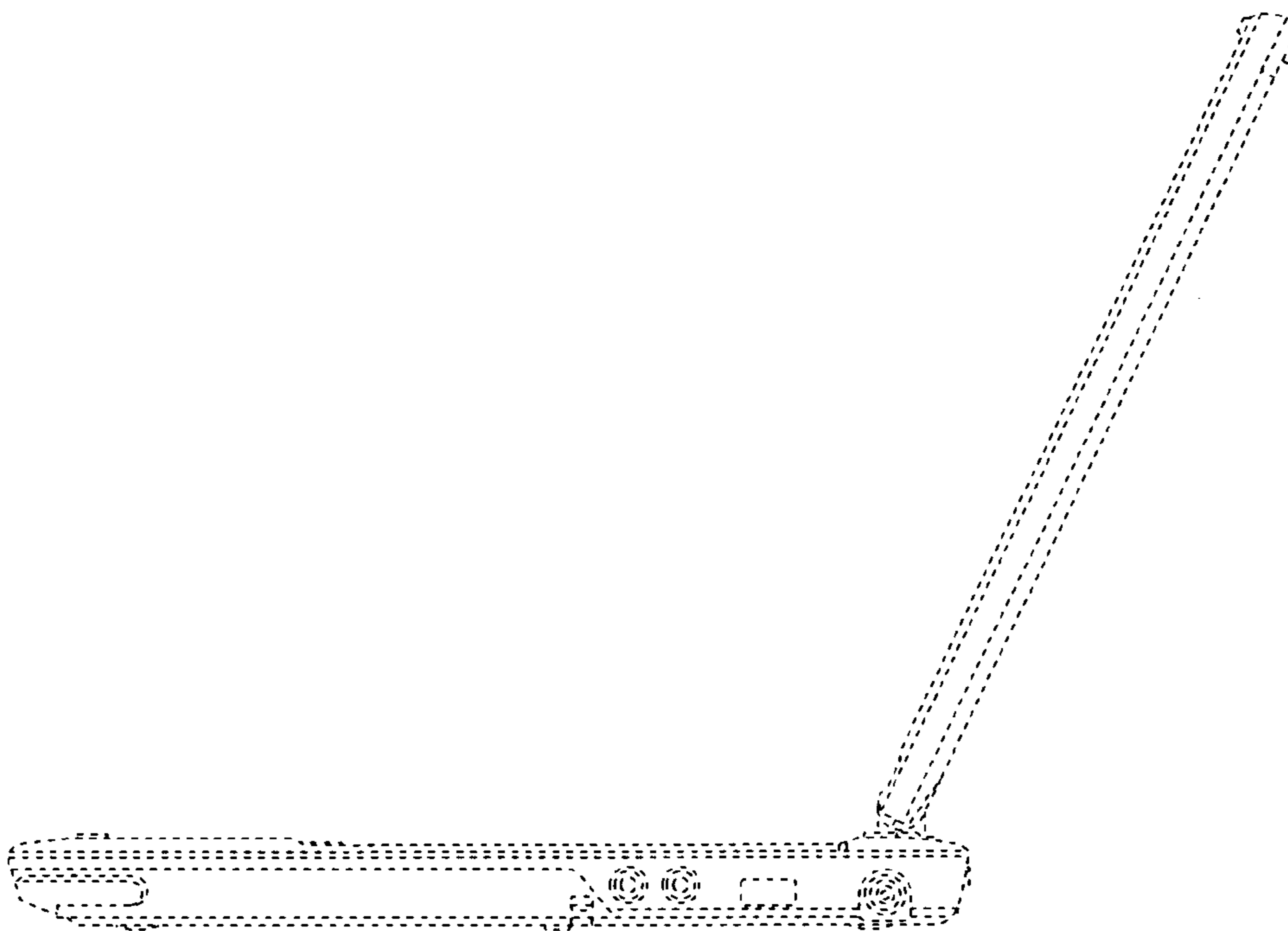
FIG. 4



**FIG. 5**



*FIG. 6*



*FIG. 7*

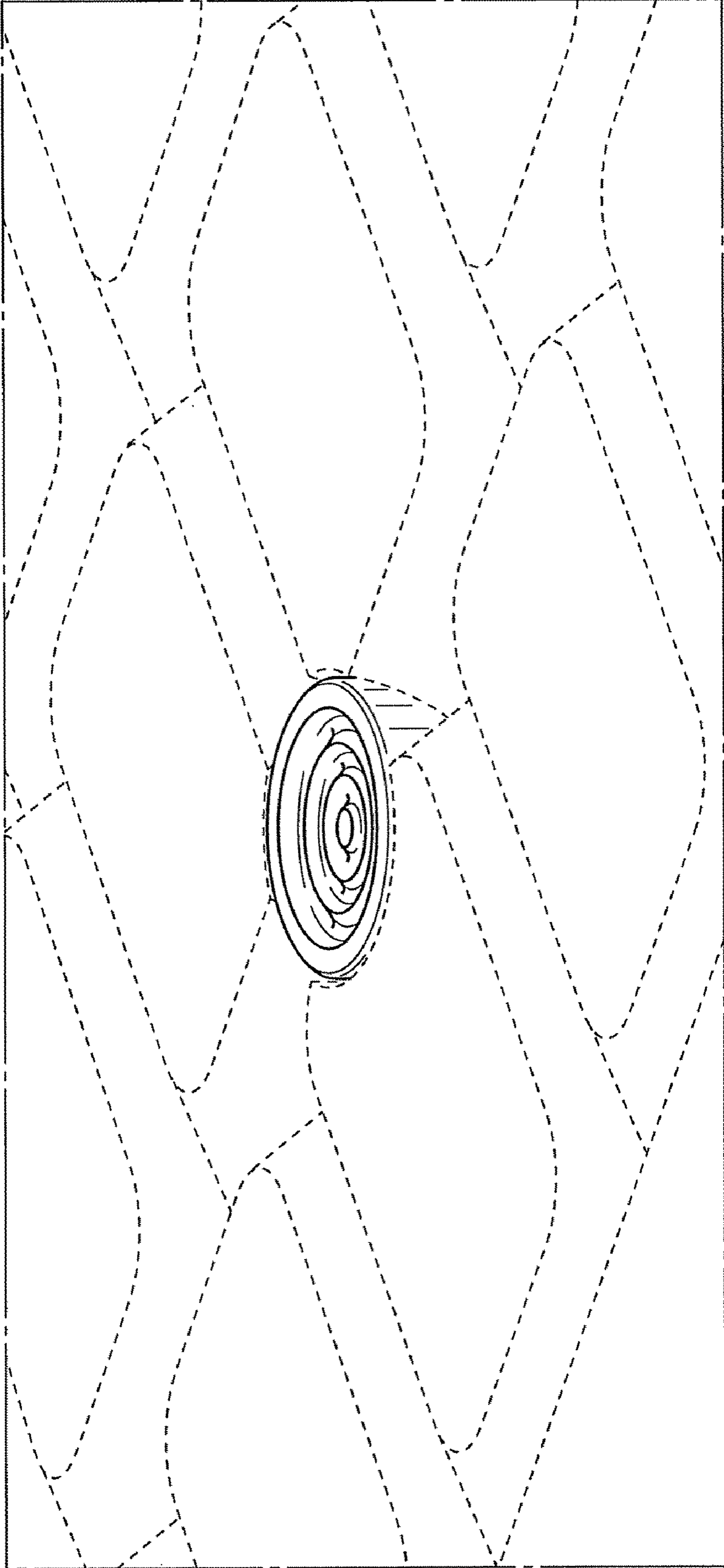


FIG. 8

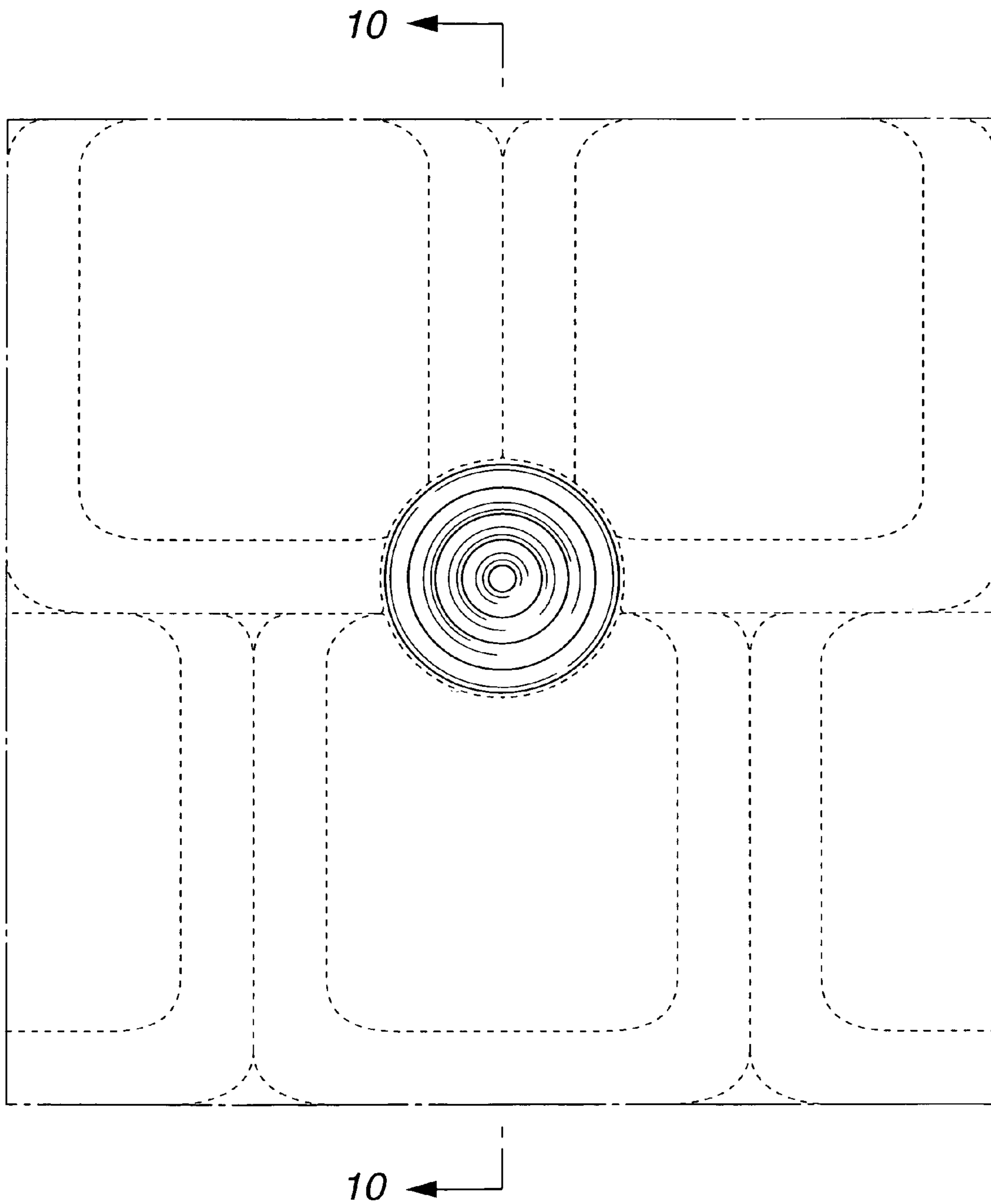
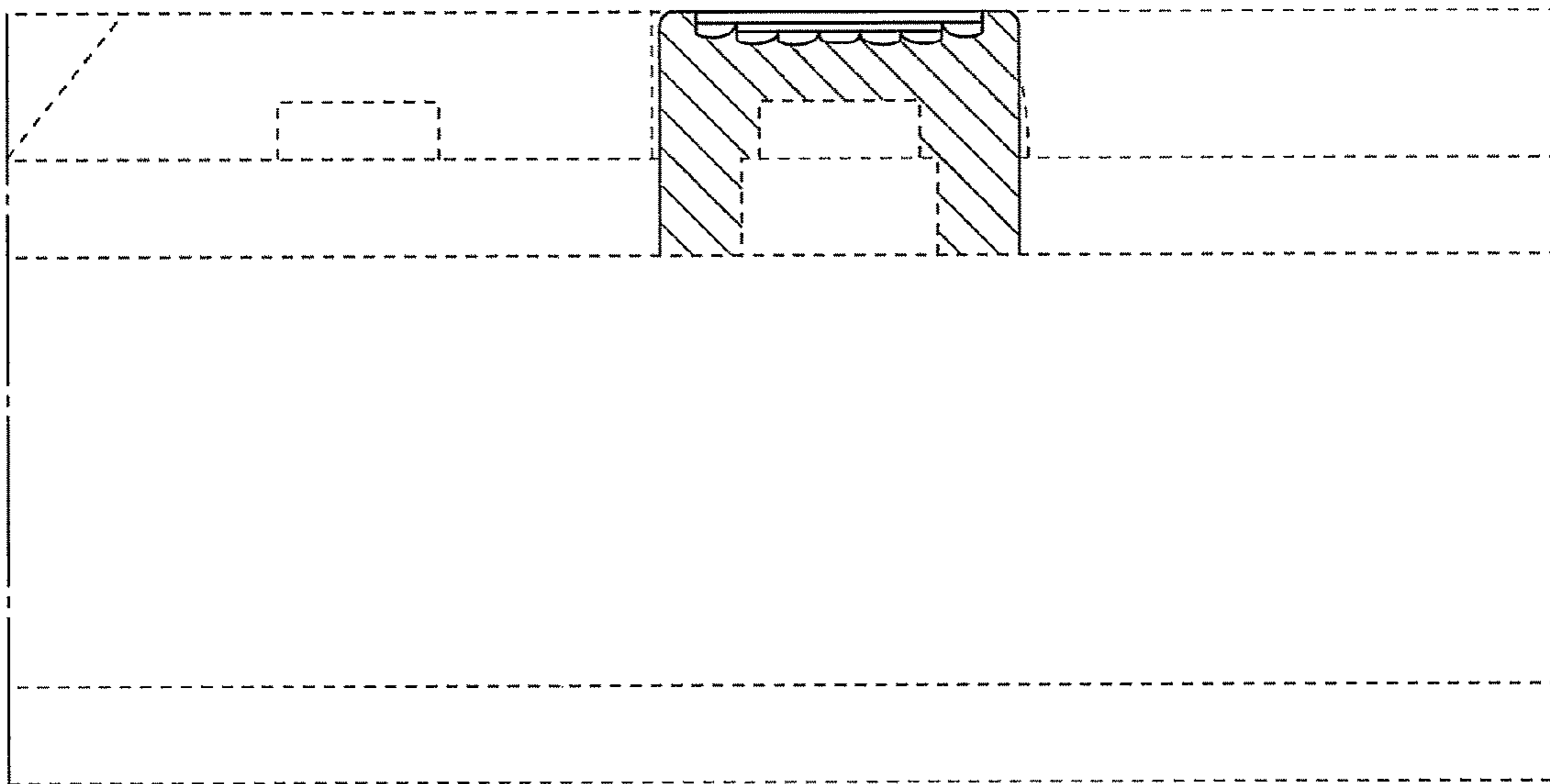


FIG. 9





*FIG. 10*