



US00D606544S

(12) **United States Design Patent**
Di Bari et al.

(10) **Patent No.:** **US D606,544 S**
(45) **Date of Patent:** **** Dec. 22, 2009**

(54) **CODED INFORMATION READER**
(75) Inventors: **Giuseppe Di Bari**, Rimini (IT); **Monica Alegiani**, Silvi (IT)
(73) Assignee: **Datalogic Scanning Group S.R.L.**, Lippo Di Calderara Di Reno (BO) (IT)
(**) Term: **14 Years**

D414,470 S 9/1999 Chacon et al.
D414,760 S 10/1999 Hetfield et al.
D418,500 S 1/2000 Giordano et al.
D420,680 S 2/2000 Curtis
D421,004 S 2/2000 Curtis
D425,057 S 5/2000 Finkbeiner
D427,090 S 6/2000 Washburn et al.

(21) Appl. No.: **29/322,183**
(22) Filed: **Jul. 30, 2008**

(Continued)

(30) **Foreign Application Priority Data**
Feb. 1, 2008 (EM) 000870761
(51) **LOC (9) Cl.** **14-02**
(52) **U.S. Cl.** **D14/428; D14/426**
(58) **Field of Classification Search** D14/420,
D14/426-430, 453, 346, 341, 347, 412; D13/107,
D13/184; 358/473; 235/462.43, 462.45,
235/462.47, 462.48, 462.44, 462.46, 487,
235/472.01, 472.02; 16/110.1, 430, 431;
439/133, 135; 709/219, 201; 710/73; 320/114,
320/115, 123; 361/679; 382/313, 321; 455/575.1,
455/561, 572
See application file for complete search history.

FOREIGN PATENT DOCUMENTS

DE 20016762 U1 1/2001
EP 1128314 A1 8/2001

Primary Examiner—Susan Moon Lee
(74) *Attorney, Agent, or Firm*—Duane Morris LLP

(57) **CLAIM**

We claim the ornamental design for a coded information reader, as shown and described.

(56) **References Cited**
U.S. PATENT DOCUMENTS

DESCRIPTION

D344,501 S 2/1994 Gong et al.
D362,435 S 9/1995 Charych et al.
5,475,206 A * 12/1995 Reddersen et al. 235/462.39
D376,989 S 12/1996 McCain
D388,076 S * 12/1997 Swift et al. D14/428
5,736,726 A 4/1998 VanHorn et al.
D396,714 S 8/1998 Nuovo et al.
D400,199 S 10/1998 Fitch et al.
5,850,078 A * 12/1998 Giordano et al. 235/462.27
D405,077 S * 2/1999 Urushihata et al. D14/428
D406,585 S 3/1999 Vuolteenaho et al.
D414,171 S 9/1999 Swift et al.
D414,172 S 9/1999 Hetfield et al.

FIG. 1 is front perspective view of a coded information reader of the present invention;
FIG. 2 is a front view thereof;
FIG. 3 is a rear view thereof;
FIG. 4 is a left side view thereof;
FIG. 5 is a right side view thereof;
FIG. 6 is a top view thereof; and,
FIG. 7 is a bottom view thereof.

1 Claim, 7 Drawing Sheets



US D606,544 S

Page 2

U.S. PATENT DOCUMENTS

D428,883 S	8/2000	Mizusugi et al.	
D431,562 S	10/2000	Bhatia et al.	
D433,017 S	10/2000	Martinez	
D436,104 S	1/2001	Bhatia et al.	
D439,898 S	4/2001	Ober et al.	
D446,524 S	8/2001	Bontly et al.	
D456,809 S *	5/2002	Schlieffers	D14/428
D456,810 S *	5/2002	Schlieffers	D14/428
D459,728 S *	7/2002	Roberts et al.	D14/428
D462,357 S	9/2002	Jenkins	
D463,425 S	9/2002	Jenkins	
D464,645 S	10/2002	O'Neil	
6,478,226 B2	11/2002	Canini et al.	
D467,918 S	12/2002	Fitch et al.	
D470,145 S	2/2003	Schlieffers et al.	
D470,497 S *	2/2003	Byun et al.	D14/426
6,517,003 B2	2/2003	Vassura et al.	
D473,872 S	4/2003	Ausems et al.	
D476,300 S	6/2003	Pottie et al.	
D486,460 S	2/2004	Bey et al.	
6,832,729 B1	12/2004	Perry et al.	
D505,422 S	5/2005	Kakizaki et al.	
D518,057 S *	3/2006	Johnson et al.	D14/428
7,147,162 B2	12/2006	Fitch et al.	
D538,285 S *	3/2007	MacGregor et al.	D14/428
D541,283 S *	4/2007	MacGregor et al.	D14/428
D542,802 S *	5/2007	Woodcock	D14/453
D556,761 S *	12/2007	MacGregor et al.	D14/428
D562,825 S *	2/2008	Fitch et al.	D14/426
D566,713 S *	4/2008	Ah	D14/428
D570,843 S *	6/2008	Mazzone et al.	D14/428
D574,830 S	8/2008	Tasselli et al.	
D574,832 S *	8/2008	MacGregor et al.	D14/428
D588,596 S *	3/2009	Mazzone et al.	D14/428
2002/0023961 A1	2/2002	Itou et al.	
2002/0096566 A1 *	7/2002	Schwartz et al.	235/462.42
2002/0125323 A1 *	9/2002	Marrs et al.	235/462.45
2002/0148902 A1 *	10/2002	Schlieffers	235/472.01
2003/0089775 A1	5/2003	Yeakley et al.	
2005/0017078 A1	1/2005	Bhatia et al.	
2005/0023358 A1 *	2/2005	Byun et al.	235/462.45
2005/0068201 A1	3/2005	Wulff et al.	
2005/0161511 A1 *	7/2005	Parker et al.	235/472.01

* cited by examiner



FIG. 1

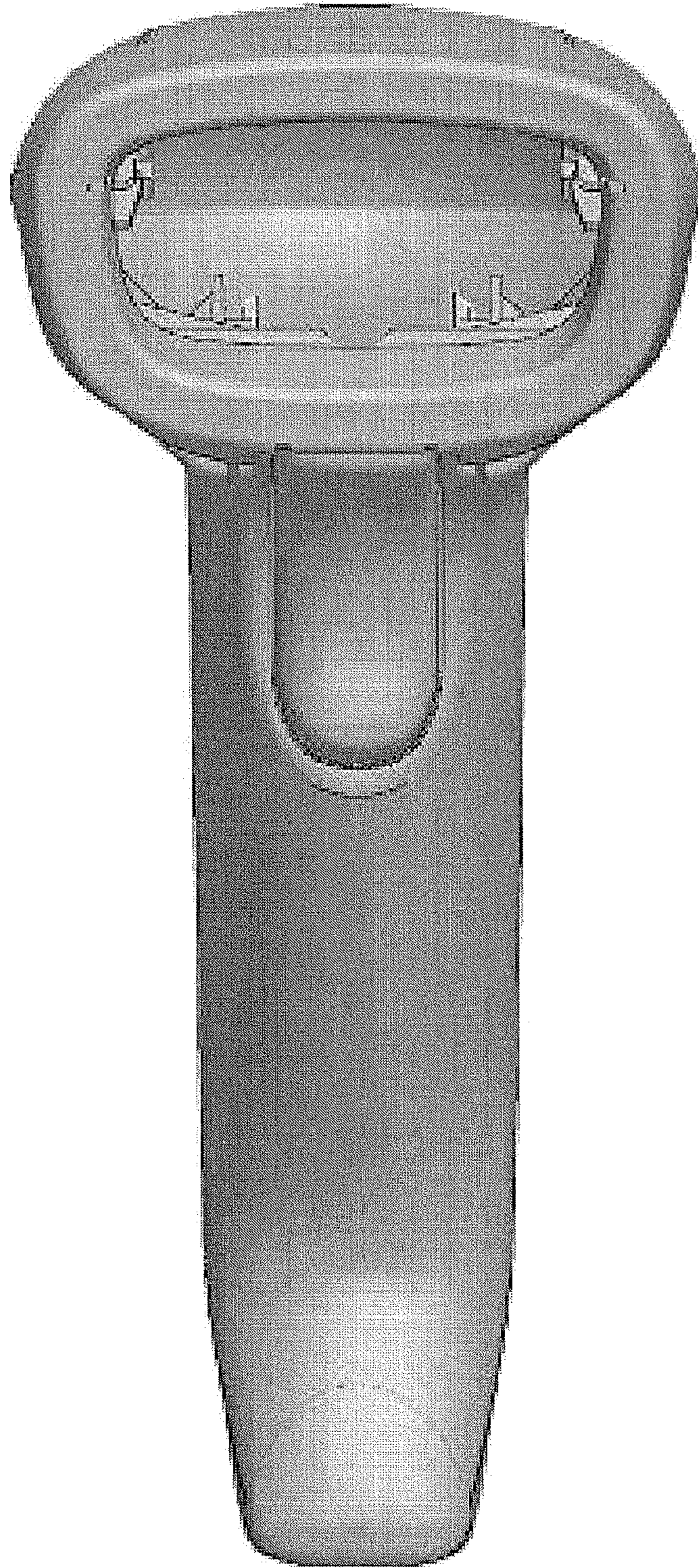


FIG. 2

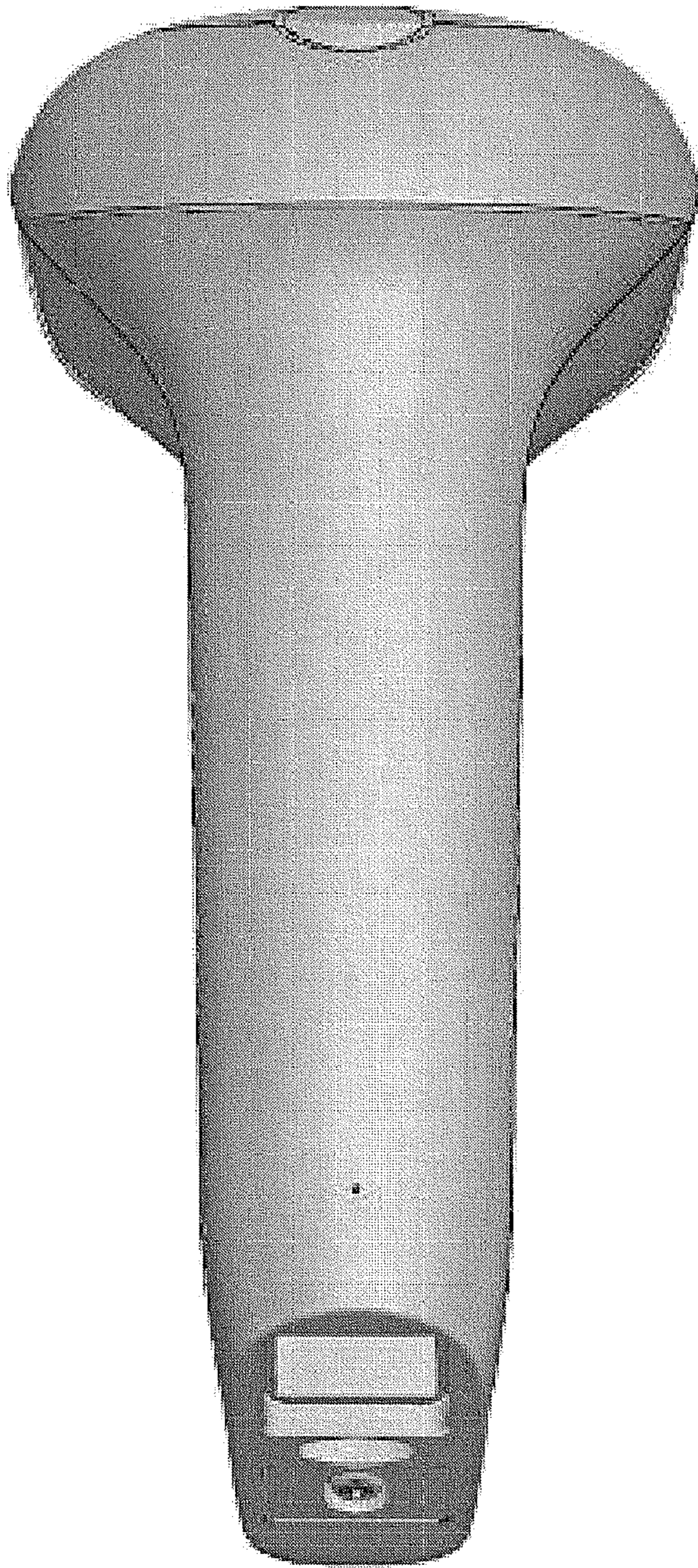


FIG. 3

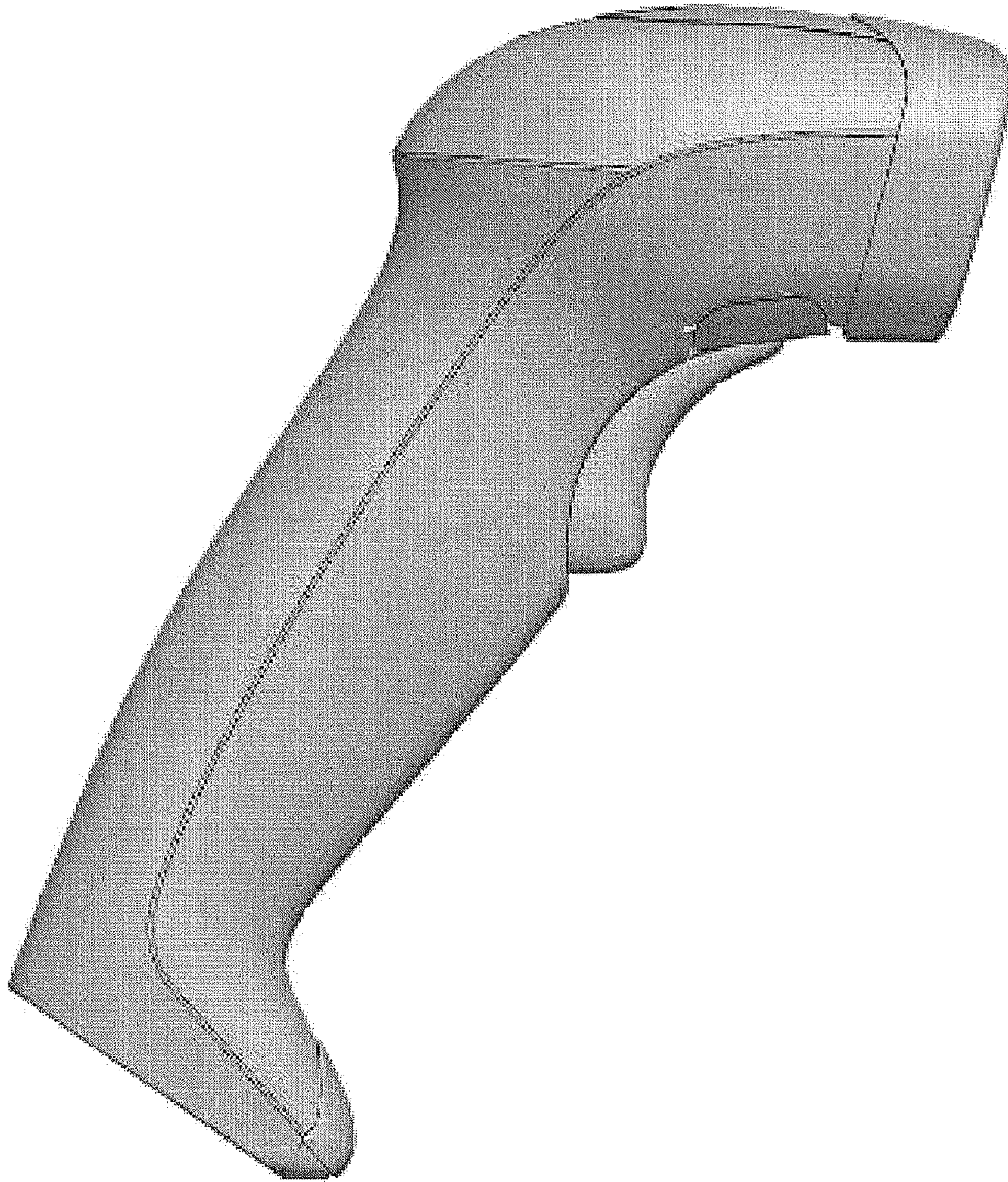


FIG. 4

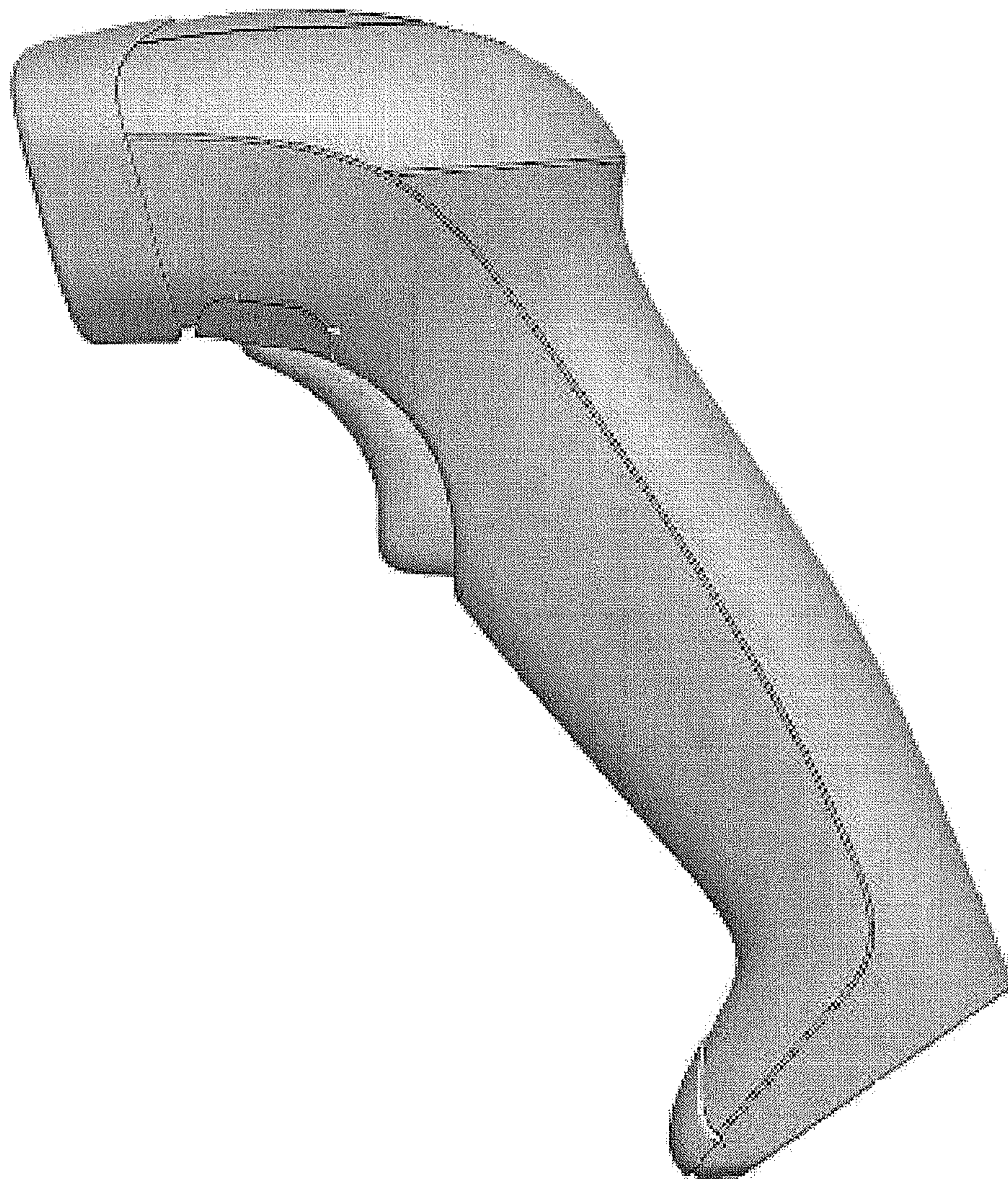


FIG. 5

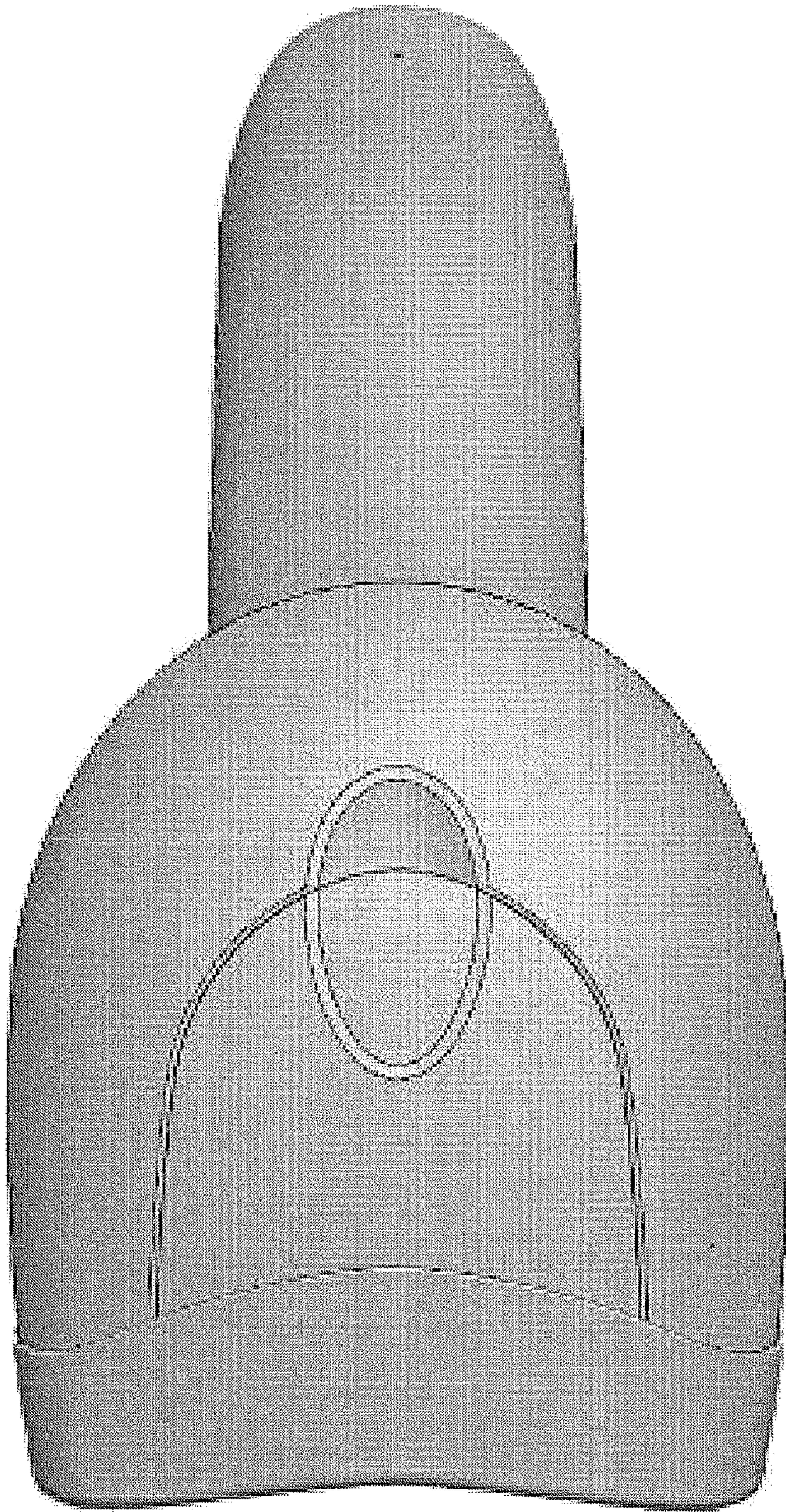


FIG. 6

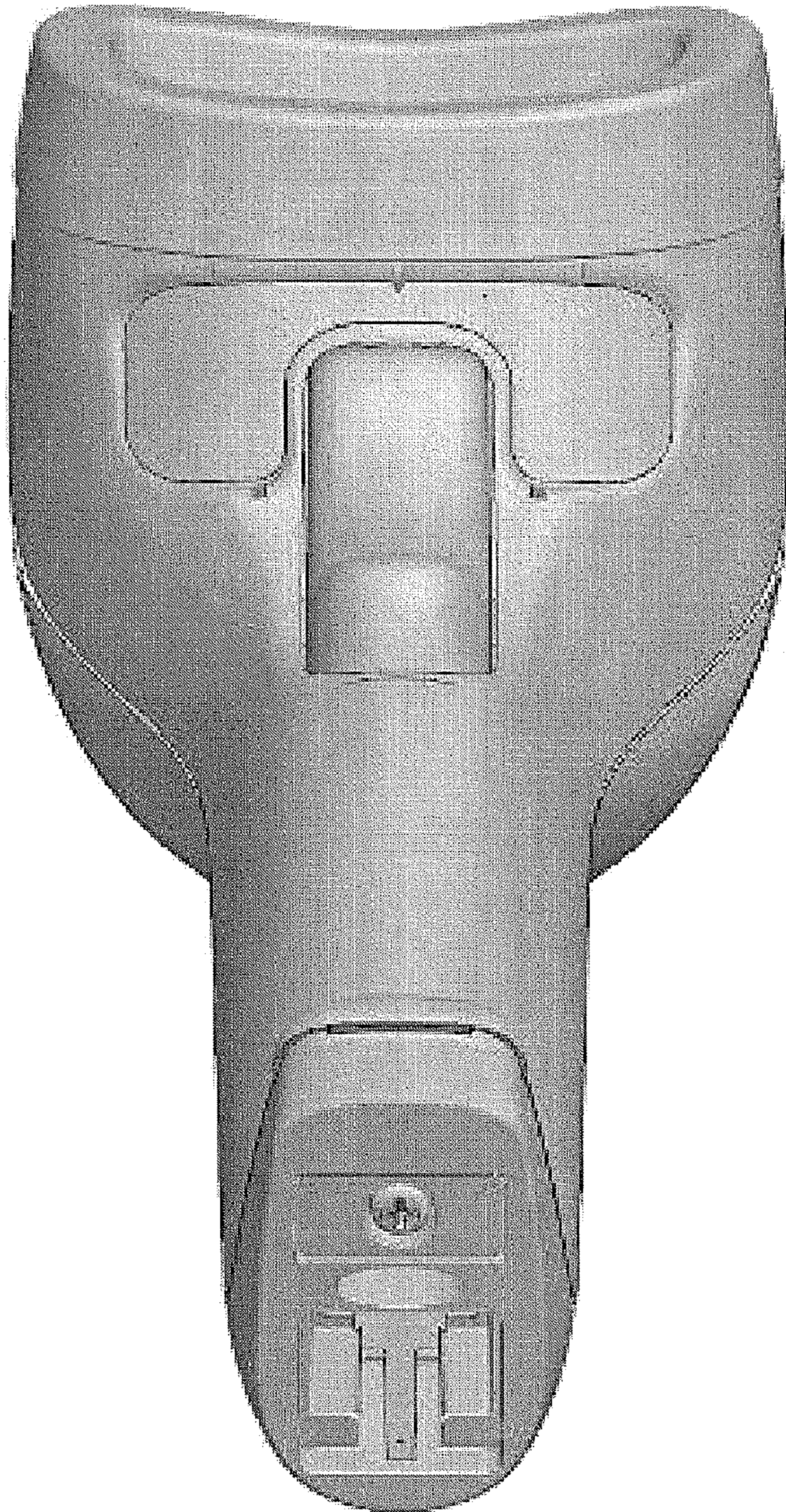


FIG. 7