



US00D606536S

(12) **United States Design Patent**
Smith et al.

(10) **Patent No.:** **US D606,536 S**
(45) **Date of Patent:** **** *Dec. 22, 2009**

(54) **ELECTRONIC DEVICE**

FOREIGN PATENT DOCUMENTS

(75) Inventors: **Renato L. Smith**, Chicago, IL (US);
Attila J. Bendeguz, Shelby Township,
IL (US)

DE 19909398 A1 9/2000

(Continued)

(73) Assignee: **Originatic LLC**, Chicago, IL (US)

OTHER PUBLICATIONS

(*) Notice: This patent is subject to a terminal disclaimer.

“Info Appliance Offers Nice Touches, but It’s Costly, Has Limitations” by Walter S. Mossberg, The Wall Street Journal, Personal Technology, Column B2, Jul. 21, 2005.

(**) Term: **14 Years**

(Continued)

(21) Appl. No.: **29/294,642**

Primary Examiner—Freda S Nunn

(22) Filed: **Jan. 18, 2008**

(57) **CLAIM**

Related U.S. Application Data

The ornamental design for an electronic device, as shown and described.

(63) Continuation-in-part of application No. 29/294,304, filed on Jan. 3, 2008.

DESCRIPTION

(51) **LOC (9) Cl.** **14-02**

(52) **U.S. Cl.** **D14/336; D14/371**

(58) **Field of Classification Search** D14/300,
D14/302, 314, 331, 335–337, 371, 125–129,
D14/146; 312/223.1–223.3; 361/680–686;
700/17; 211/26; 345/104, 156, 168, 173;
348/180, 184, 325, 739; 248/917–924; 349/1,
349/2, 11, 62; 341/12

A portion of the disclosure of this patent document contains or may contain material which is subject to copyright protection. The copyright owner has no objection to the photocopy reproduction by anyone of the patent document or the patent disclosure in exactly the form it appears in the Patent and Trademark Office patent file or records, but otherwise reserves all copyright rights whatsoever.

See application file for complete search history.

FIG. 1 is a front elevation view of the electronic device shown mounted to a vertical structure;

(56) **References Cited**

U.S. PATENT DOCUMENTS

3,980,869 A 9/1976 Lombardino et al.
4,281,874 A 8/1981 Iwans et al.
4,718,740 A 1/1988 Cox
4,922,980 A 5/1990 Parker
4,982,618 A 1/1991 Culver
5,168,423 A 12/1992 Ohgami et al.
5,229,757 A 7/1993 Takamiya et al.
5,262,762 A 11/1993 Westover et al.

FIG. 2 is a right, front, side perspective view thereof;

FIG. 3 is a left, front, side perspective view thereof;

FIG. 4 is a front elevation view thereof showing an enlarged screen;

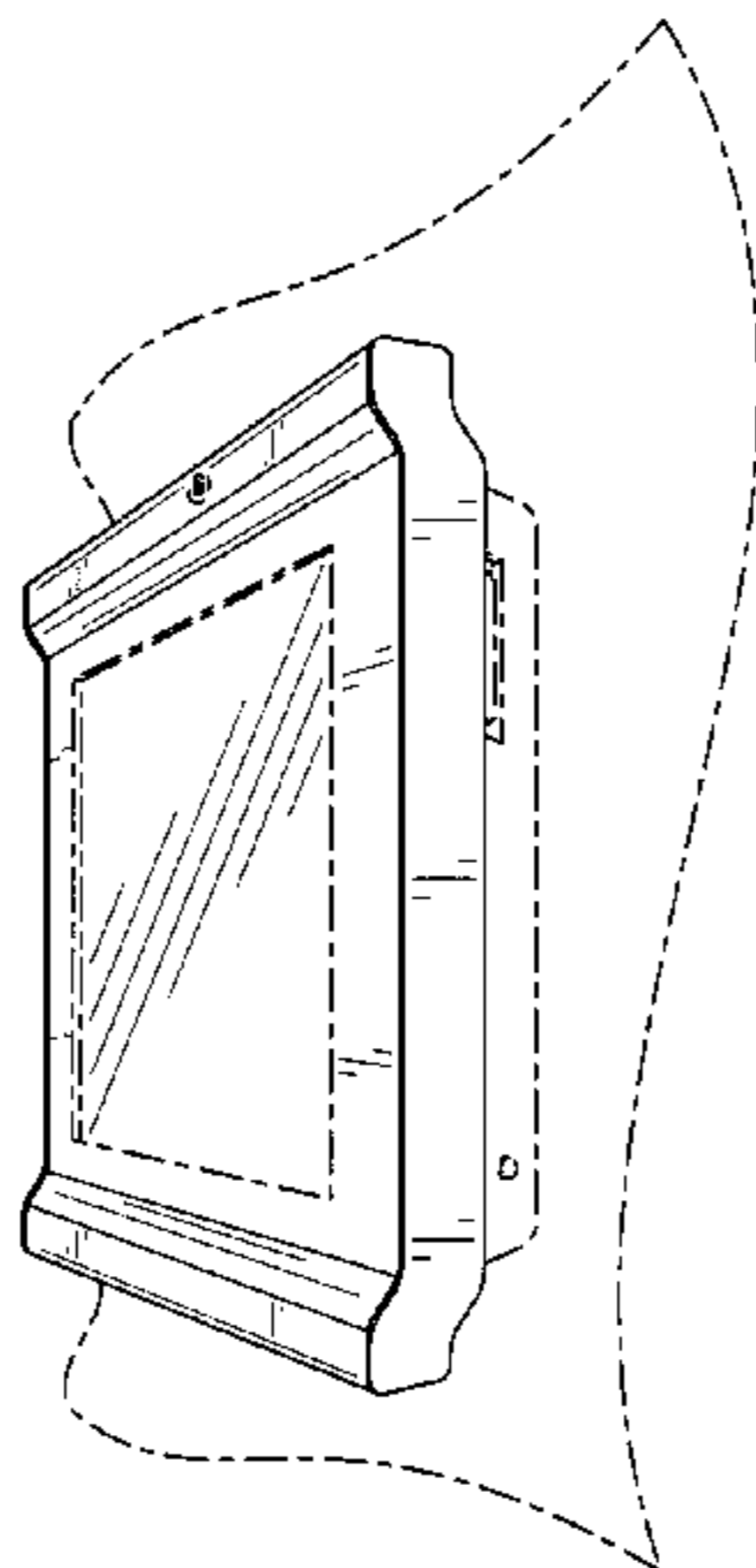
FIG. 5 is a right, front, side perspective view thereof; and,

FIG. 6 is a left, front side perspective view thereof;

Broken lines shown in the drawings illustrate portions of the electronic device and the vertical support surface, and form no part of the claimed design.

(Continued)

1 Claim, 6 Drawing Sheets



U.S. PATENT DOCUMENTS

D349,693	S *	8/1994	Brossardt	D14/302
5,351,066	A	9/1994	Rucker et al.	
D351,160	S *	10/1994	Massey et al.	D14/146
5,388,032	A *	2/1995	Gill et al.	700/17
5,438,331	A	8/1995	Gilligan et al.	
5,615,081	A	3/1997	Ma	
5,629,832	A	5/1997	Sellers	
5,657,370	A	8/1997	Tsugane et al.	
5,673,169	A	9/1997	Wicks	
5,800,085	A	9/1998	Lee	
D404,025	S *	1/1999	Van Horne et al.	D14/331
5,944,432	A	8/1999	Richardson	
5,996,956	A	12/1999	Shawver	
6,095,702	A	8/2000	Garbacik	
6,121,958	A	9/2000	Clark et al.	
6,189,849	B1	2/2001	Sweere et al.	
6,233,138	B1 *	5/2001	Osgood	361/681
6,256,018	B1	7/2001	Zarek	
6,381,132	B1	4/2002	Nakamoto	
6,392,871	B1	5/2002	Yanase	
6,411,502	B1	6/2002	Burrell	
6,414,840	B2	7/2002	Suzuki	
6,480,372	B1	11/2002	Vong et al.	
6,587,094	B2	7/2003	Anderson	
6,621,691	B2	9/2003	Howell	
6,628,508	B2	9/2003	Lieu et al.	
6,628,510	B2	9/2003	Genin	
6,665,175	B1 *	12/2003	deBoer et al.	361/681
6,680,843	B2	1/2004	Farrow et al.	
6,688,518	B1	2/2004	Valencia et al.	
6,700,774	B2	3/2004	Chien et al.	
D494,582	S *	8/2004	Lancaster, Jr.	D14/335
6,791,826	B2	9/2004	Ho	
6,795,304	B1	9/2004	Lam	
6,807,054	B1 *	10/2004	Waller et al.	361/683
6,827,409	B2 *	12/2004	Michael	312/223.3
6,856,505	B1 *	2/2005	Venegas et al.	361/683
6,909,408	B2	6/2005	Matko et al.	
6,945,412	B2 *	9/2005	Felcman et al.	211/26
6,956,735	B2 *	10/2005	Lee et al.	361/683
7,004,430	B2	2/2006	Weekly	
7,019,963	B2 *	3/2006	Lee et al.	361/683
D551,224	S *	9/2007	Hatling et al.	D14/331
7,425,947	B1	9/2008	Tseng et al.	
2002/0070922	A1	6/2002	Zarek	
2002/0149905	A1	10/2002	Jackson, Jr.	
2002/0190172	A1	12/2002	Oddsden, Jr.	
2003/0184957	A1	10/2003	Stahl et al.	
2004/0208681	A1	10/2004	Dechene	
2004/0227733	A1	11/2004	Fyke et al.	
2004/0246234	A1	12/2004	Serra et al.	
2005/0139679	A1	6/2005	Salvato	
2005/0148395	A1	7/2005	Kim et al.	
2005/0195561	A1	9/2005	Smith	
2005/0243505	A1 *	11/2005	Jackson	361/683
2006/0098403	A1	5/2006	Smith	
2006/0208139	A1	9/2006	Mossman	
2007/0047193	A1	3/2007	Smith	
2007/0247800	A1	10/2007	Smith et al.	

FOREIGN PATENT DOCUMENTS

DE	10314554	A1	10/2004
JP	4000620		1/1992

OTHER PUBLICATIONS

In-Vehicle Computer, Stargate Mobile [online]: [retrieved on Nov. 3, 2005]. Retrieved from the Internet: <<http://www.stargatemobile.com/ASC.html>>.

Saranow, Jennifer and Chon, Gina, *Coming Soon to Your Car, The Wall Street Journal*, p. D1 (Nov. 3, 2005), pp. 1-4.

Panel PC, Panel Industrial Systems, year 2002 [online]. [retrieved on Aug. 21, 2006]. Retrieved from the Internet: <http://webarchive.org/web/20030902013810/www.panelpc.com/2002/>.

“Sony’s All-in-One Desktop” by Bill Howard, PC Magazine, dated Nov. 8, 2002 [retrieved on Jan. 7, 2007]. Retrieved from the Internet: <<http://www.pcmag.com/article2/0,4149,677305,oo.asp>>.

SuperLogics, SL-PPC-120 [online]. [retrieved on Aug. 2, 2006]. Retrieved from the Internet: <<http://www.superlogics.com/industrial-computers/panel-pc-computer/SL-PPC-120/35-1900.htm>>.

Medical Computers Compilation, compiled by Originatic LLC, Jan. 8, 2007, pp. 1-16.

Beyond Icebox Flipscreen ’04 Kitchen Entertainment, eSalton [online]. [retrieved on Aug. 16, 2008]. Retrieved from the Internet: <<http://www.esalton.com/control/product>>.

Wall Computers with Keyboard Compilation, compiled by Originatic LLC, Jun. 20, 2007, pp. 1-26.

Datalux—Internet Archive Wayback Machine for www.datalux.com, dated Jan. 25, 2004, 2 pages [online]. [retrieved on Aug. 12, 2007]. Retrieved from the Internet: <http://webarchive.org/web/*http://www.datalux.com>.

Flat Panel—Internet Archive Wayback Machine for www.flat-panel-mount.com, dated Jan. 21, 2004, 5 pages [online]. [retrieved on Aug. 12, 2007]. Retrieved from the Internet: >http://webarchive.org/web/*http://www.flat-panel-mount.com>.

ISS—Internet Archive Wayback Machine for www.issltd.co.uk, dated Feb. 7, 2004, 3 pages [online]. [retrieved on Aug. 12, 2007]. Retrieved from the Internet: <http://web.archive.org/web/*http://www.issltd.co.uk.com>.

Infologix—Internet Archive Wayback Machine for www.infologixsys.com, dated Jan. 8, 2004, 3 pages [online]. [retrieved on Aug. 12, 2007]. Retrieved from the Internet: <http://web.archive.org/web/*http://www.infologixsys.com>.

Sony’s All-in-One Desktop—Enlarged Product Image, by Bill Howard, PC Magazine, dated Nov. 8, 2002 [retrieved on Aug. 12, 2007]. Retrieved from the Internet: <<http://www.pcmag.com/article2/0,4149,677305,00.asp>>.

Beyond Digital Living—Press, Salton’s Beyond Icebox FlipScreen Wins the Consumer Electronics Association Mark of Excellence Award, Seattle—Mar. 7, 2003, 2 pages [online]. [retrieved on Aug. 12, 2007]. Retrieved from the Internet: <http://www.beyondconnectedhome.com/aboutus/press/pr_030307.html>.

All-In-One Multimedia Powerhouse, Cnet [online]. [retrieved on or before Oct. 5, 2006]. Retrieved from the Internet: <<http://www.cnet.com>>.

Boldata LCD PC CP414 Series, Cnet [online]. [retrieved on or before Oct. 5, 2006]. Retrieved from the Internet: <<http://www.cnet.com>>.

I-One All-In-One LCD PC-TV, Cnet [online]. [retrieved on or before Oct. 5, 2006]. Retrieved from the Internet: <<http://www.cnet.com>>.

Sinocan All-In-One PC 2006, Cnet [online]. [retrieved on or before Oct. 5, 2006]. Retrieved from the Internet: <<http://www.cnet.com>>.

Tek Panel 320, Cnet [online]. [retrieved on or before Oct. 5, 2006]. Retrieved from the Internet: <<http://www.cnet.com>>.

Gateway’s Media Center PC, Cnet, dated Jan. 7, 2004 [online]. [retrieved on or before Oct. 5, 2006]. Retrieved from the Internet: <<http://www.cnet.com>>.

Gateway Profile 6C, Cnet, dated Oct. 12, 2006 [online]. [retrieved on or before Oct. 5, 2006]. Retrieved from the Internet: <<http://www.cnet.com>>.

MPC’s ClientPro Line, Cnet, dated Jul. 21, 2003 [online]. [retrieved on or before Oct. 5, 2006]. Retrieved from the Internet: <<http://www.cnet.com>>.

* cited by examiner

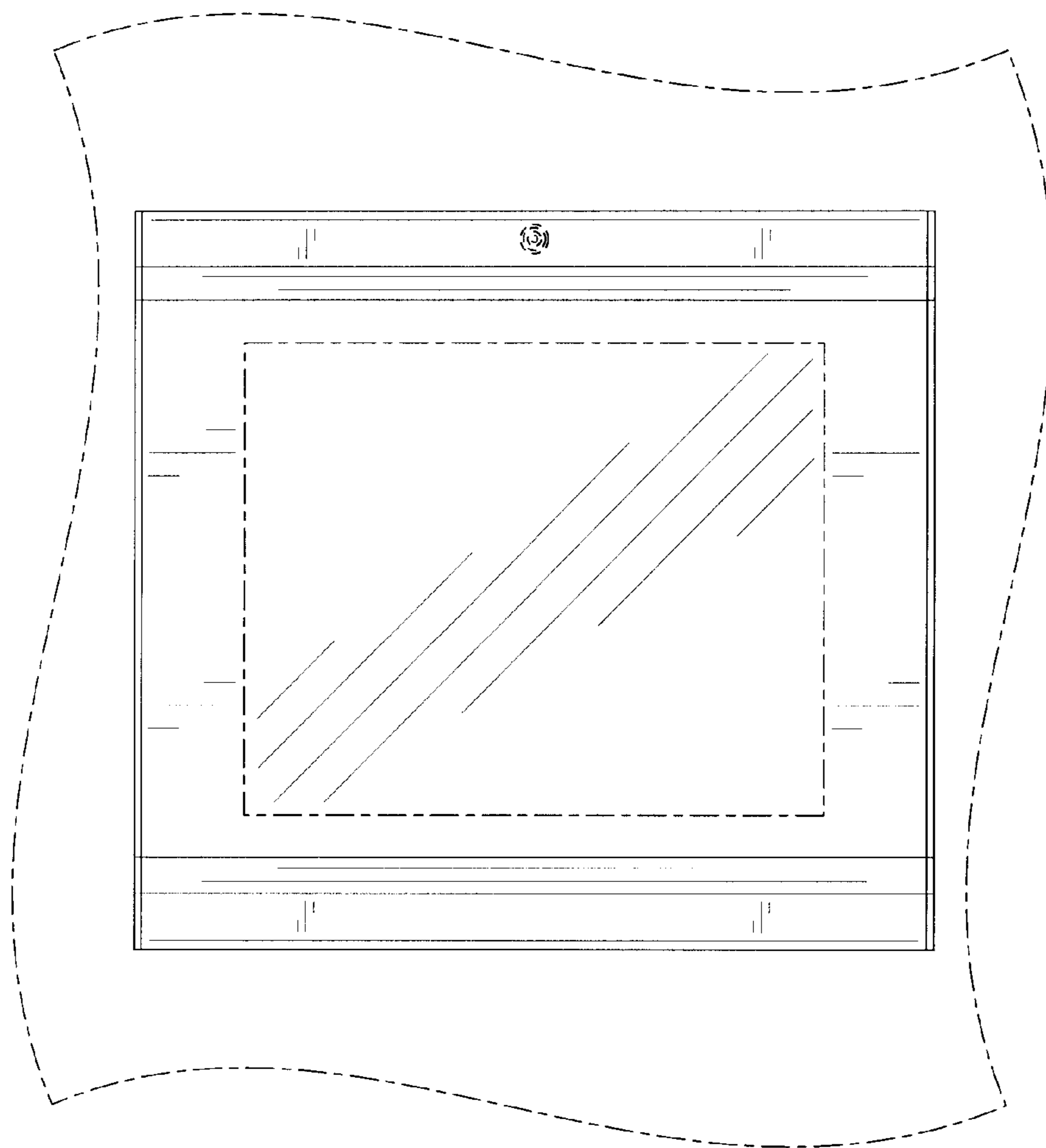


FIG. 1

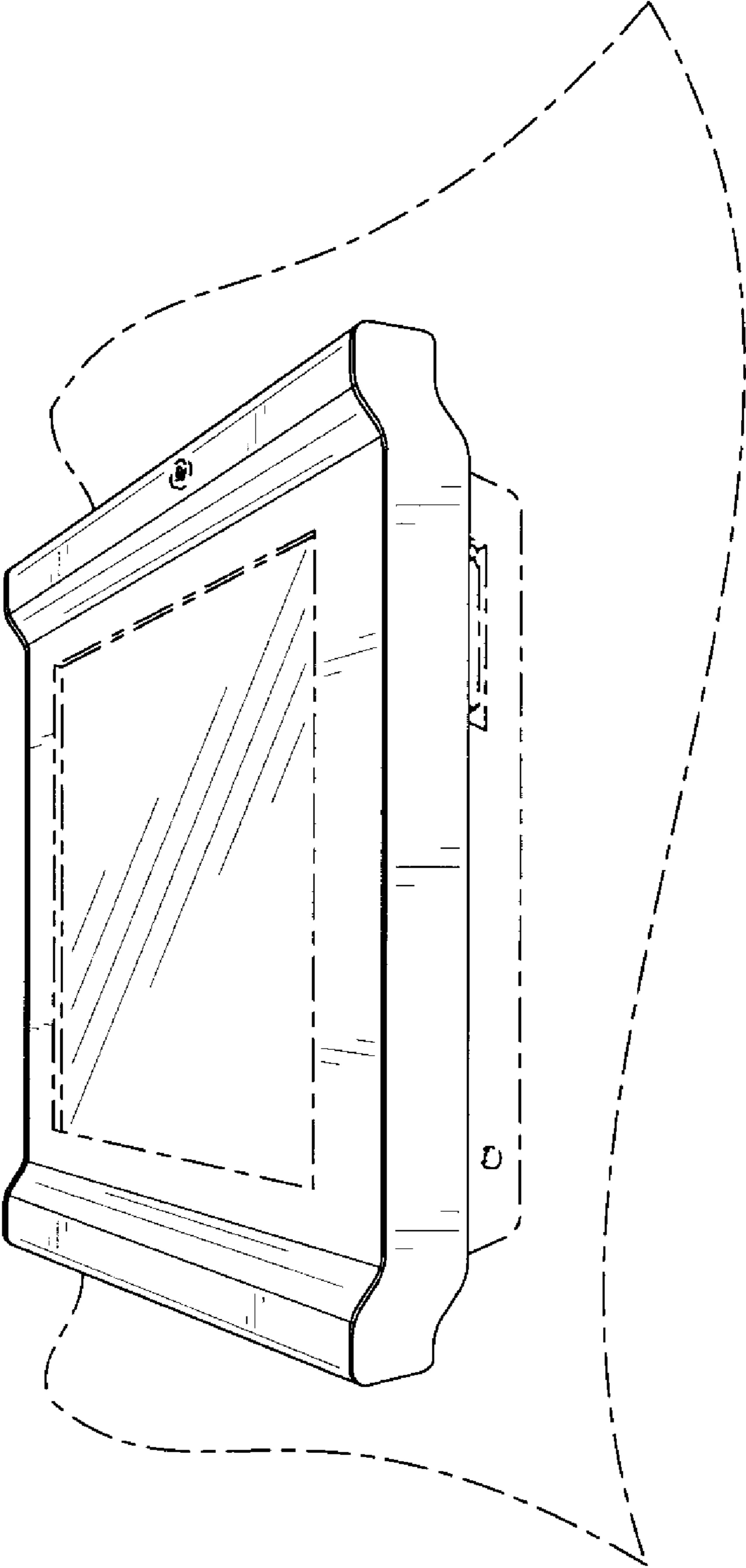


FIG. 2

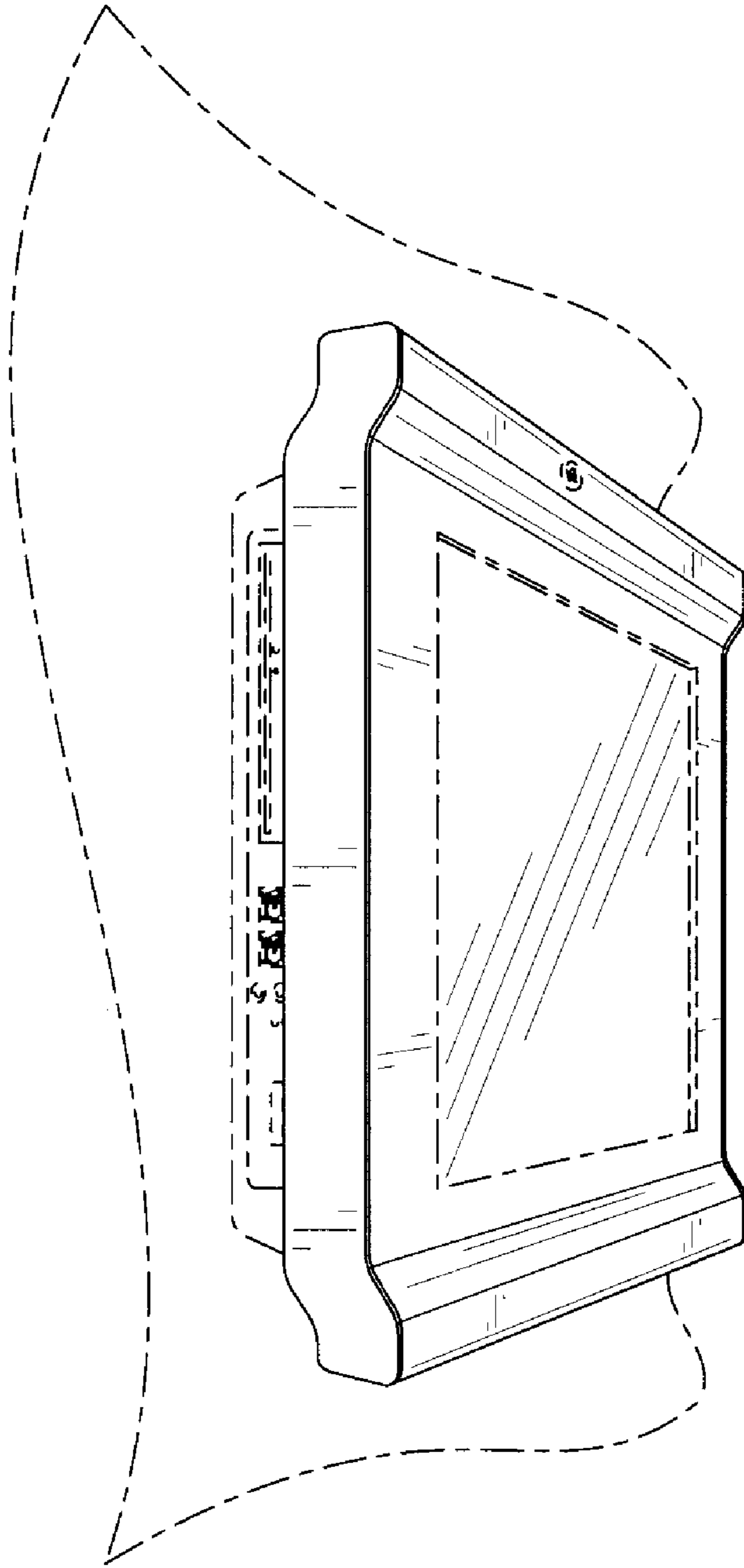


FIG. 3

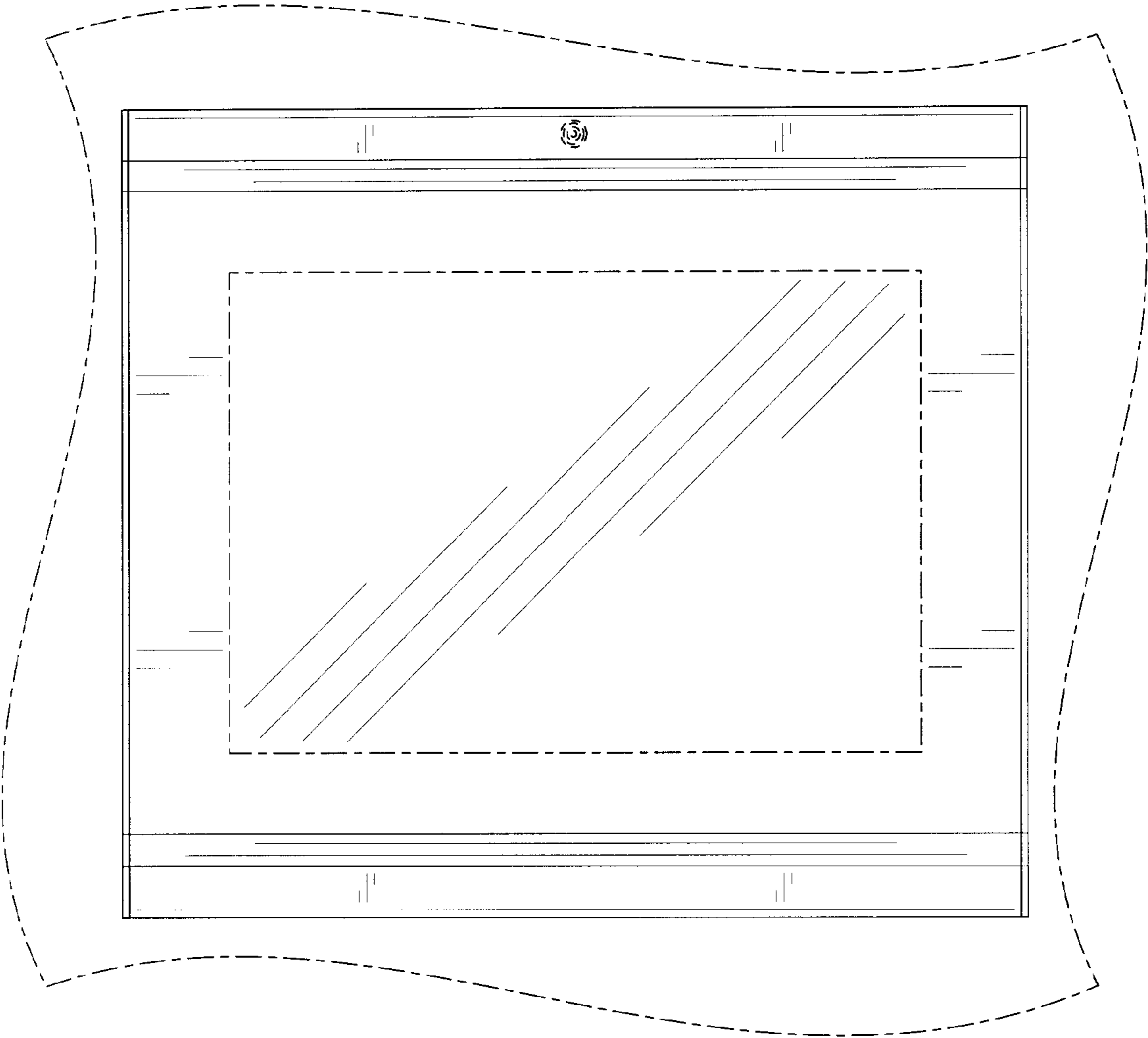


FIG. 4

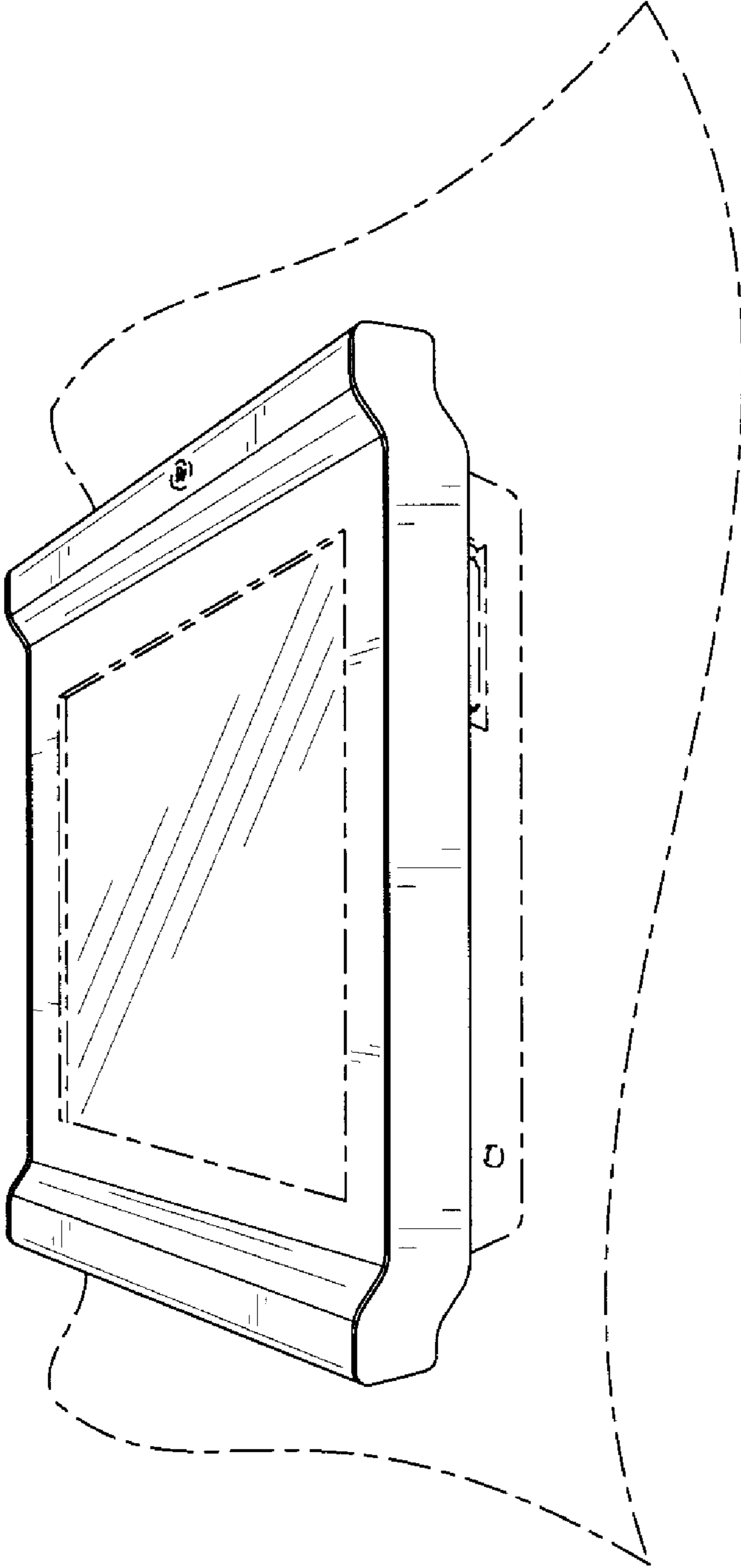


FIG. 5

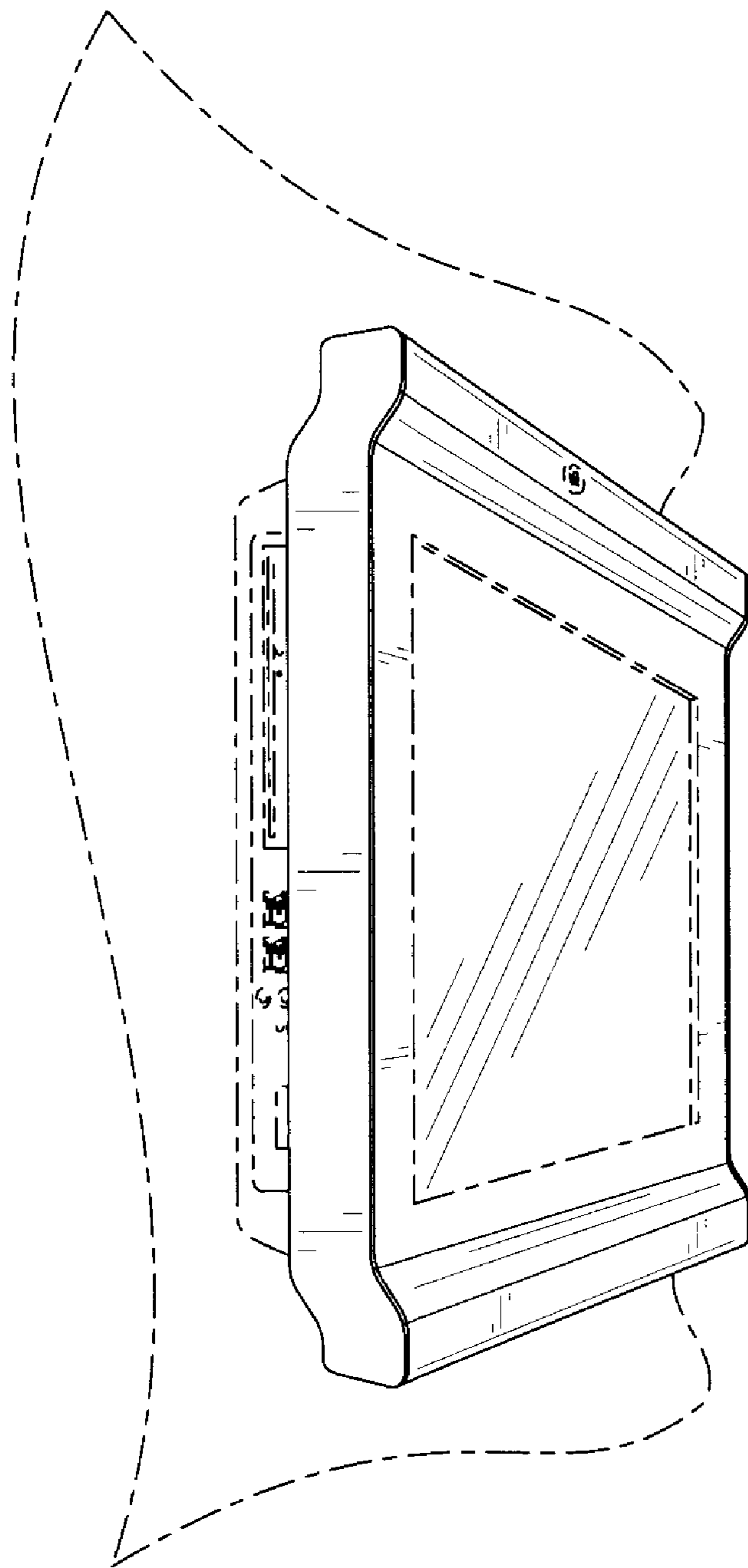


FIG. 6