

US00D606521S

(12) **United States Design Patent**
Birger

(10) **Patent No.:** **US D606,521 S**

(45) **Date of Patent:** **** Dec. 22, 2009**

(54) **HEADSET**

(75) Inventor: **Johan Birger**, Copenhagen (DK)

(73) Assignee: **GN Netcom A/S** (DK)

(**) Term: **14 Years**

(21) Appl. No.: **29/324,448**

(22) Filed: **Sep. 12, 2008**

(30) **Foreign Application Priority Data**

Mar. 25, 2008 (EM) 000902259

(51) **LOC (9) Cl.** **14-01**

(52) **U.S. Cl.** **D14/223**

(58) **Field of Classification Search** D14/205,
D14/206, 223, 188; 181/129, 130, 135; 379/430;
381/380, 381, 370, 322, 328; 128/864, 865;
455/575.2, 90.3

See application file for complete search history.

(56) **References Cited**

U.S. PATENT DOCUMENTS

2,477,698	A *	8/1949	Little	381/322
D490,070	S *	5/2004	Lee	D14/188
6,754,361	B1 *	6/2004	Hall et al.	381/370
6,868,284	B2 *	3/2005	Bae	455/575.2
7,020,300	B1 *	3/2006	Villaverde	381/375
D520,497	S *	5/2006	Yang	D14/223
D538,784	S *	3/2007	Eklund	D14/205
D550,658	S *	9/2007	Wang	D14/223
D564,500	S *	3/2008	Wang	D14/223
D566,105	S *	4/2008	Yang et al.	D14/223
D566,693	S *	4/2008	Jensen et al.	D14/223
D573,138	S *	7/2008	Goransson	D14/223
D573,139	S *	7/2008	Birger	D14/223
D575,277	S *	8/2008	Gaarde et al.	D14/223

D577,003	S *	9/2008	Yang et al.	D14/206
D581,906	S *	12/2008	Birger	D14/223
D586,329	S *	2/2009	Birger	D14/205
D586,791	S *	2/2009	Birger et al.	D14/223
D592,190	S *	5/2009	Birger	D14/223

* cited by examiner

Primary Examiner—Paula Greene

(74) *Attorney, Agent, or Firm*—Altera Law Group, LLC

(57) **CLAIM**

The ornamental design for a headset, as shown and described.

DESCRIPTION

FIG. 1 is a front perspective view of a headset showing my new design;

FIG. 2 is a front elevational view thereof;

FIG. 3 is a side elevational view thereof;

FIG. 4 is a top plan view thereof;

FIG. 5 is a bottom view thereof;

FIG. 6 is a rear elevational view thereof;

FIG. 7 is an opposite side elevational view thereof;

FIG. 8 is a front perspective view of a second embodiment showing my new design;

FIG. 9 is a front elevational view thereof;

FIG. 10 is a side elevational view thereof;

FIG. 11 is a top plan view thereof;

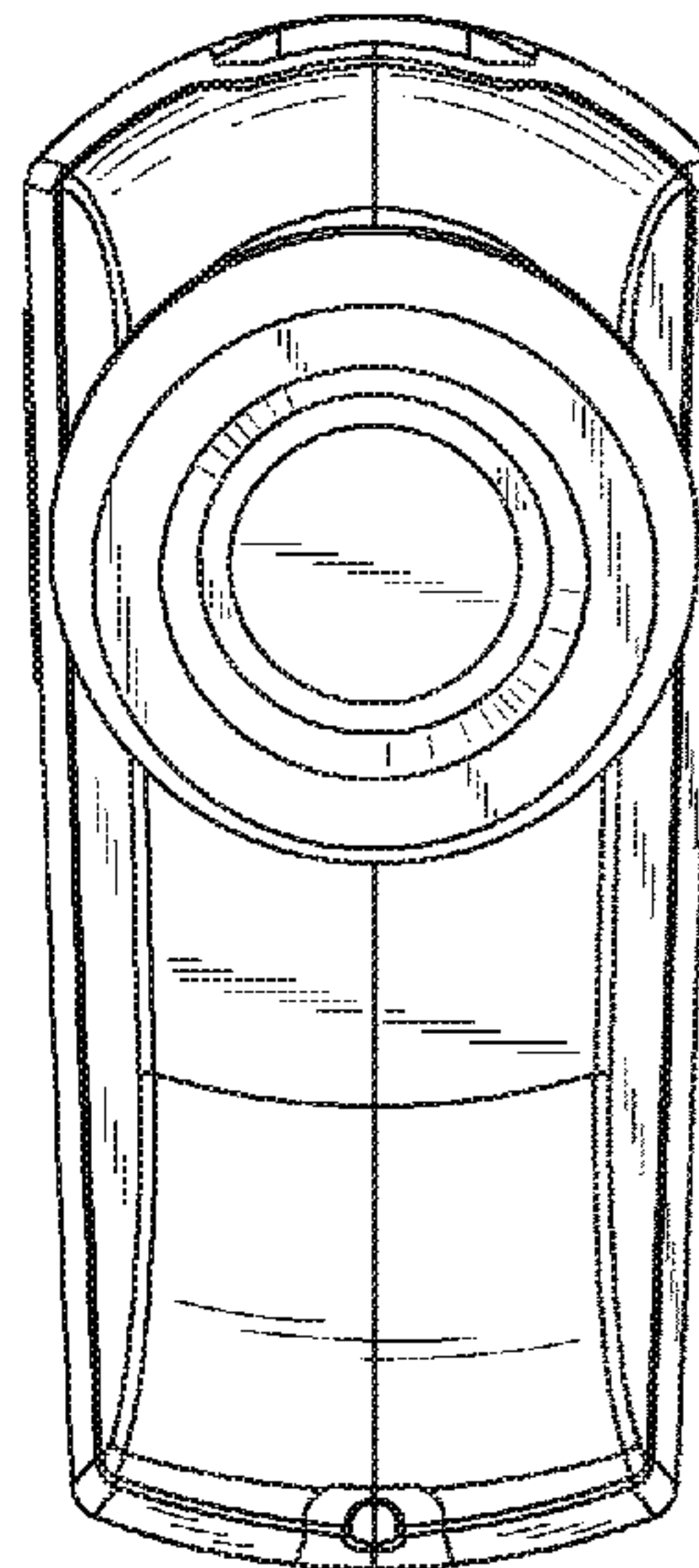
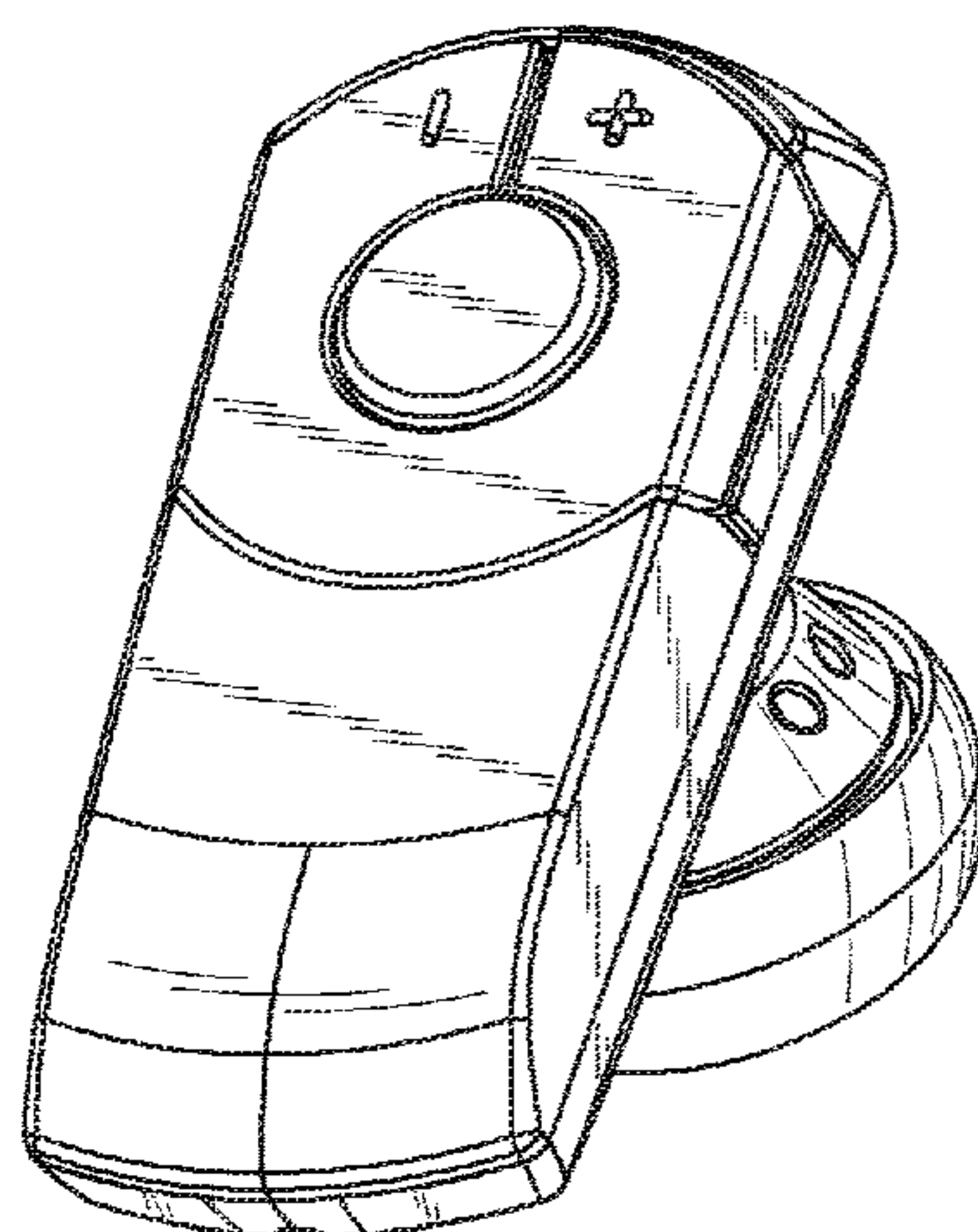
FIG. 12 is a bottom plan view thereof;

FIG. 13 is a rear elevational view thereof; and,

FIG. 14 is an opposite side elevational view thereof.

The broken lines form no part of the claimed design.

1 Claim, 6 Drawing Sheets



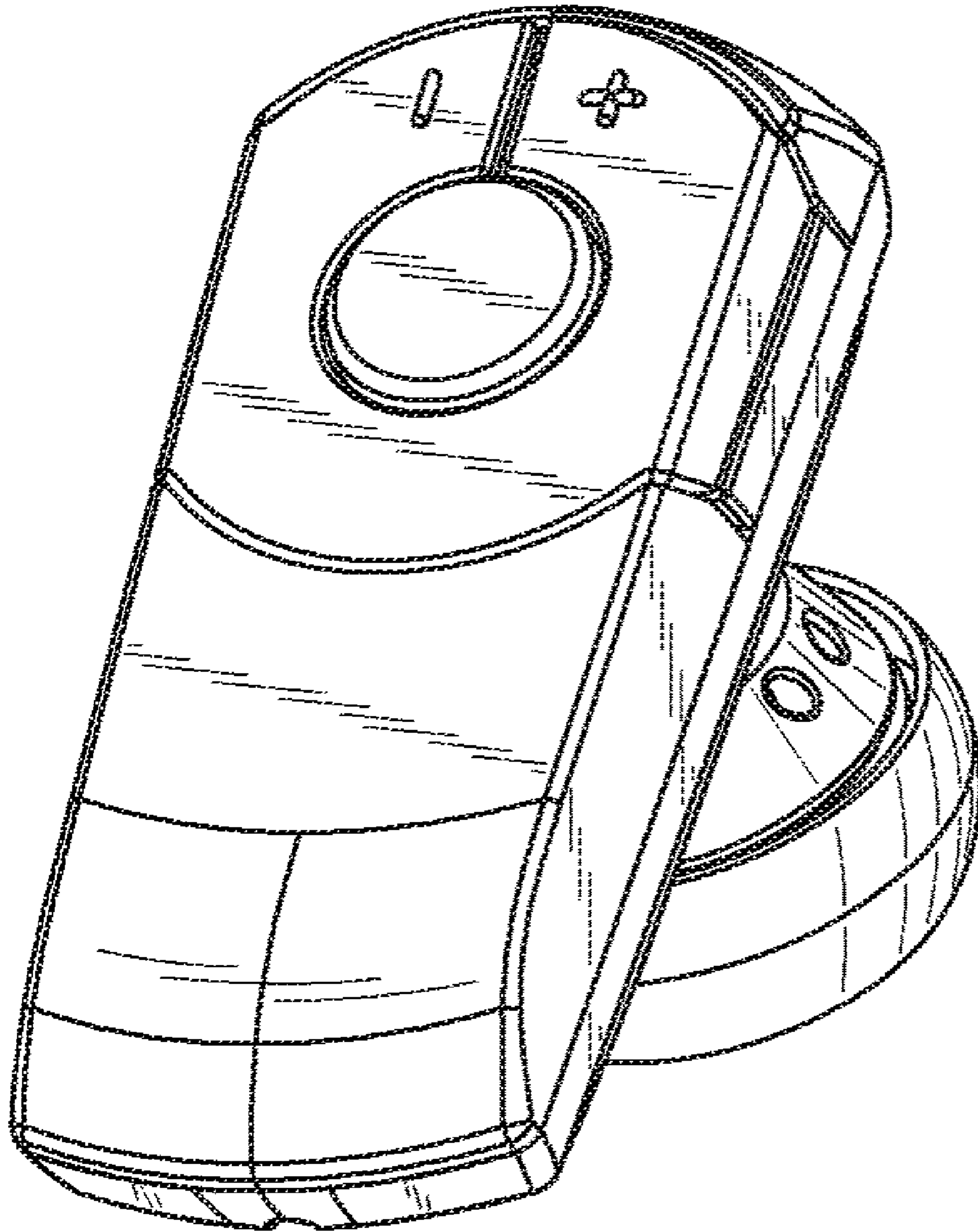


Fig. 1

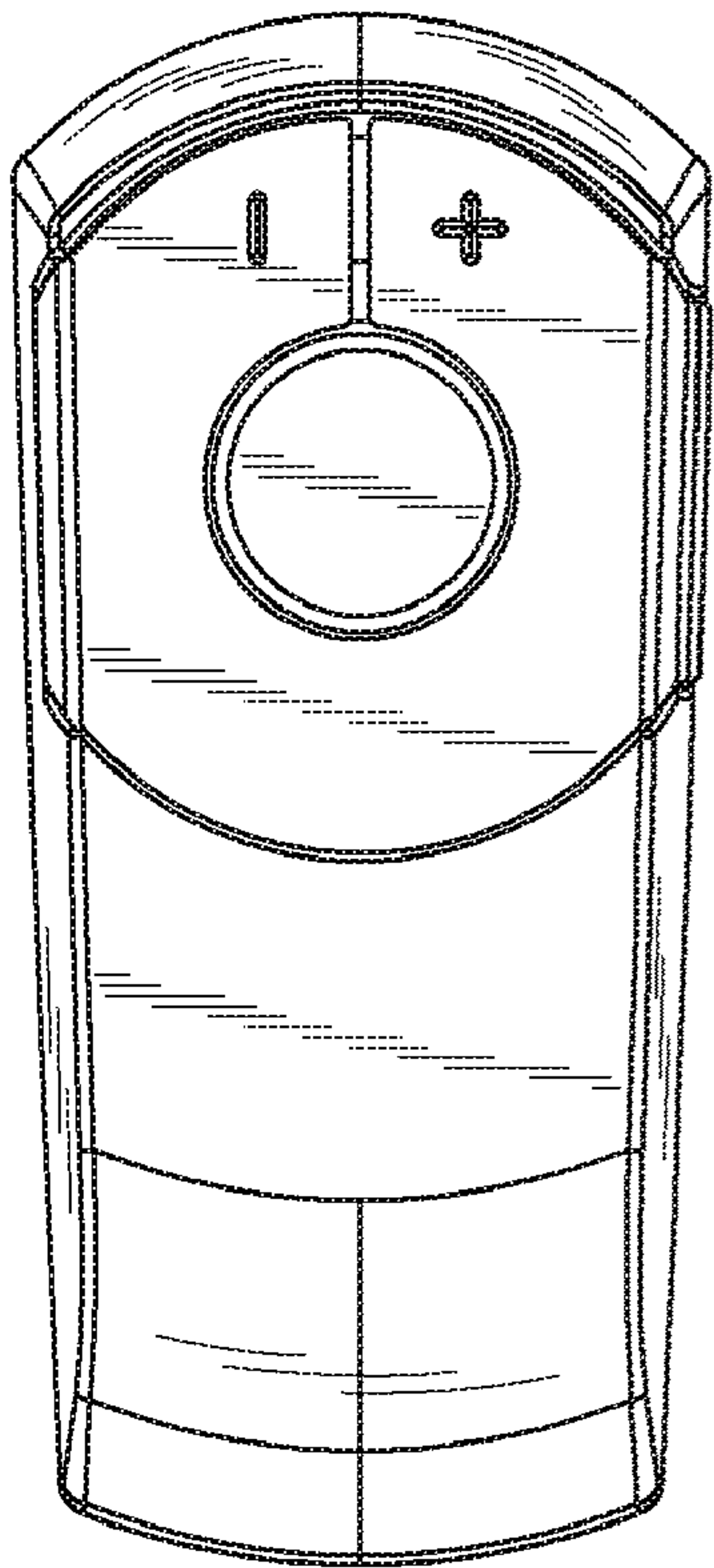


Fig. 2

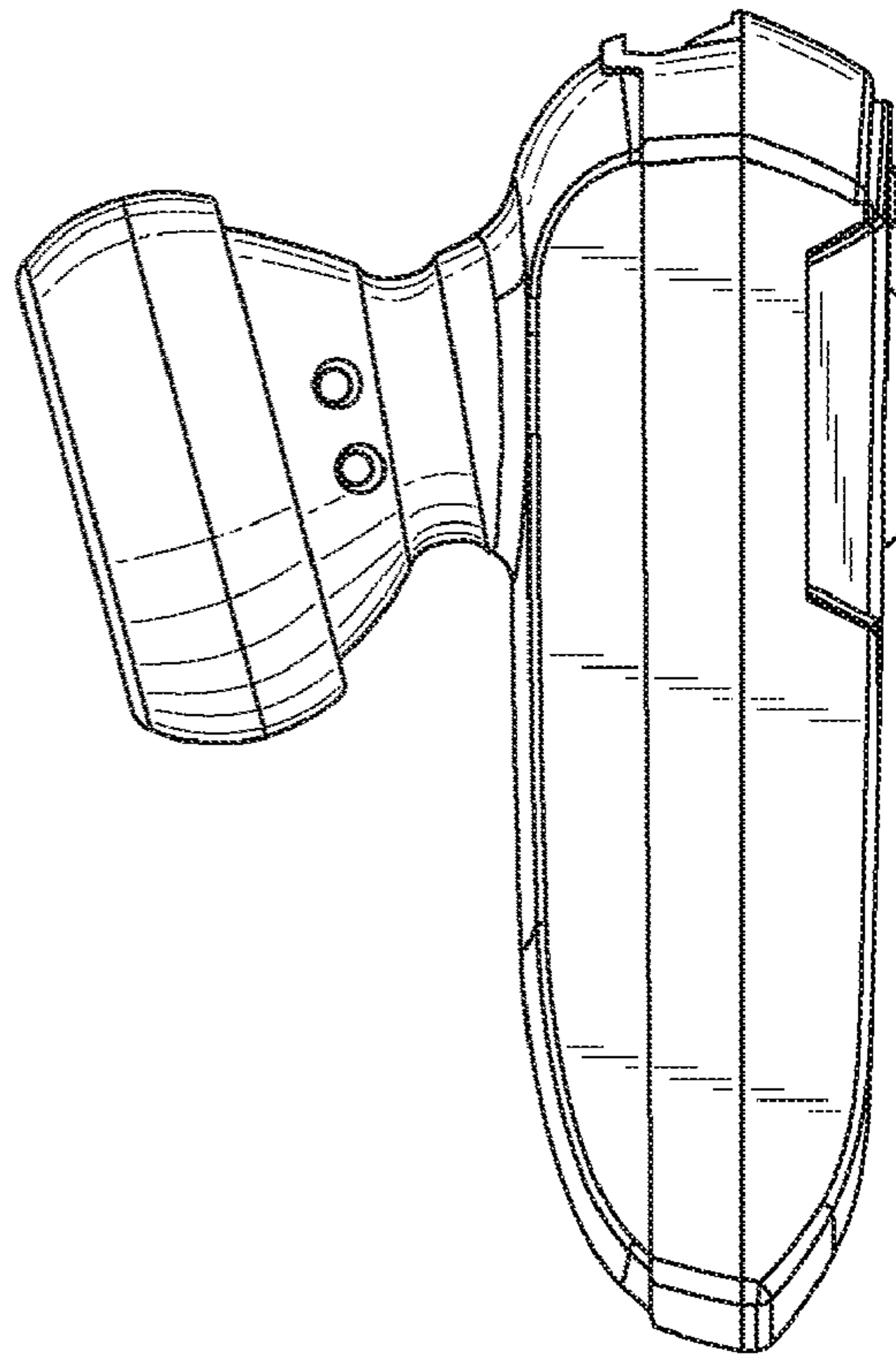


Fig. 3

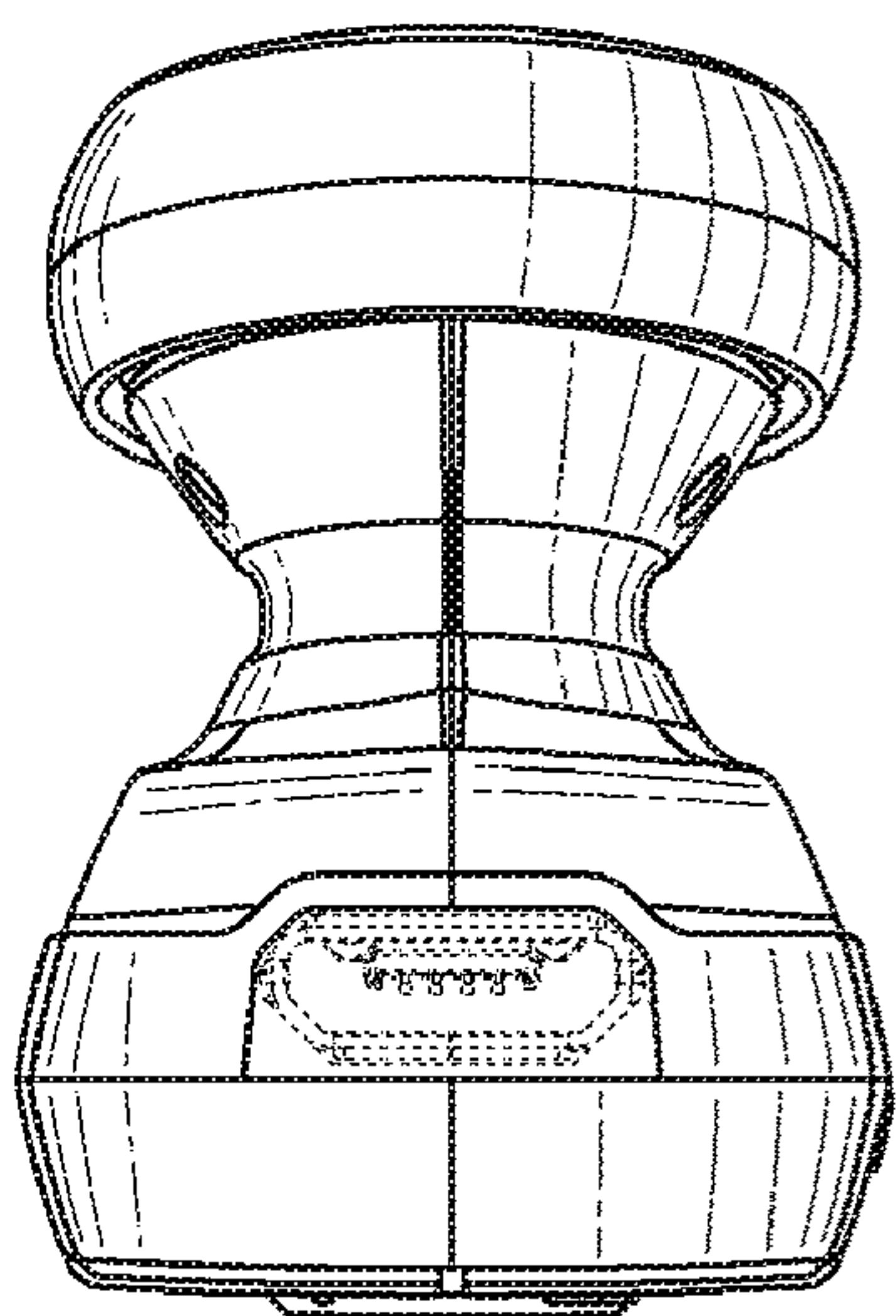


Fig. 4

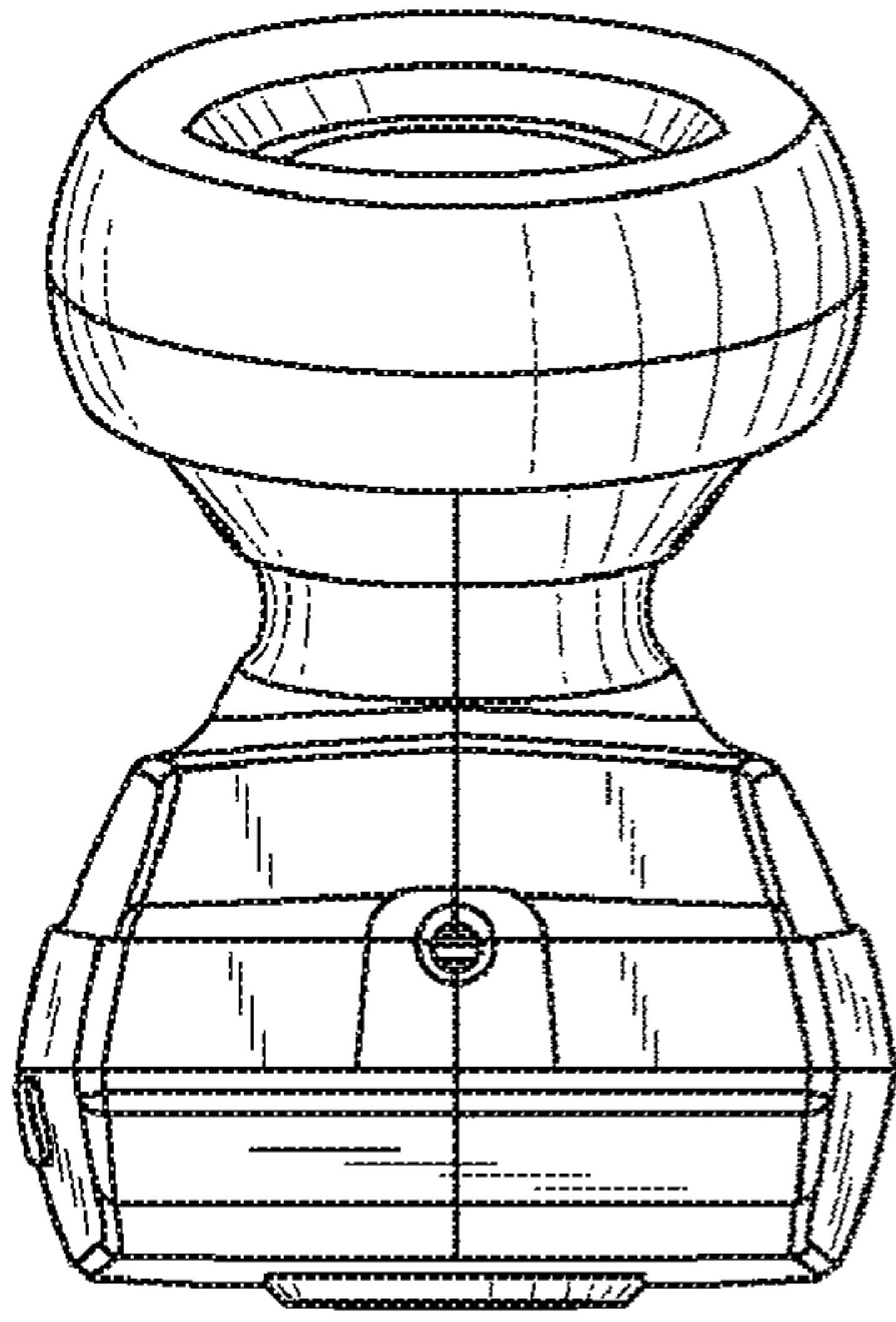


Fig. 5

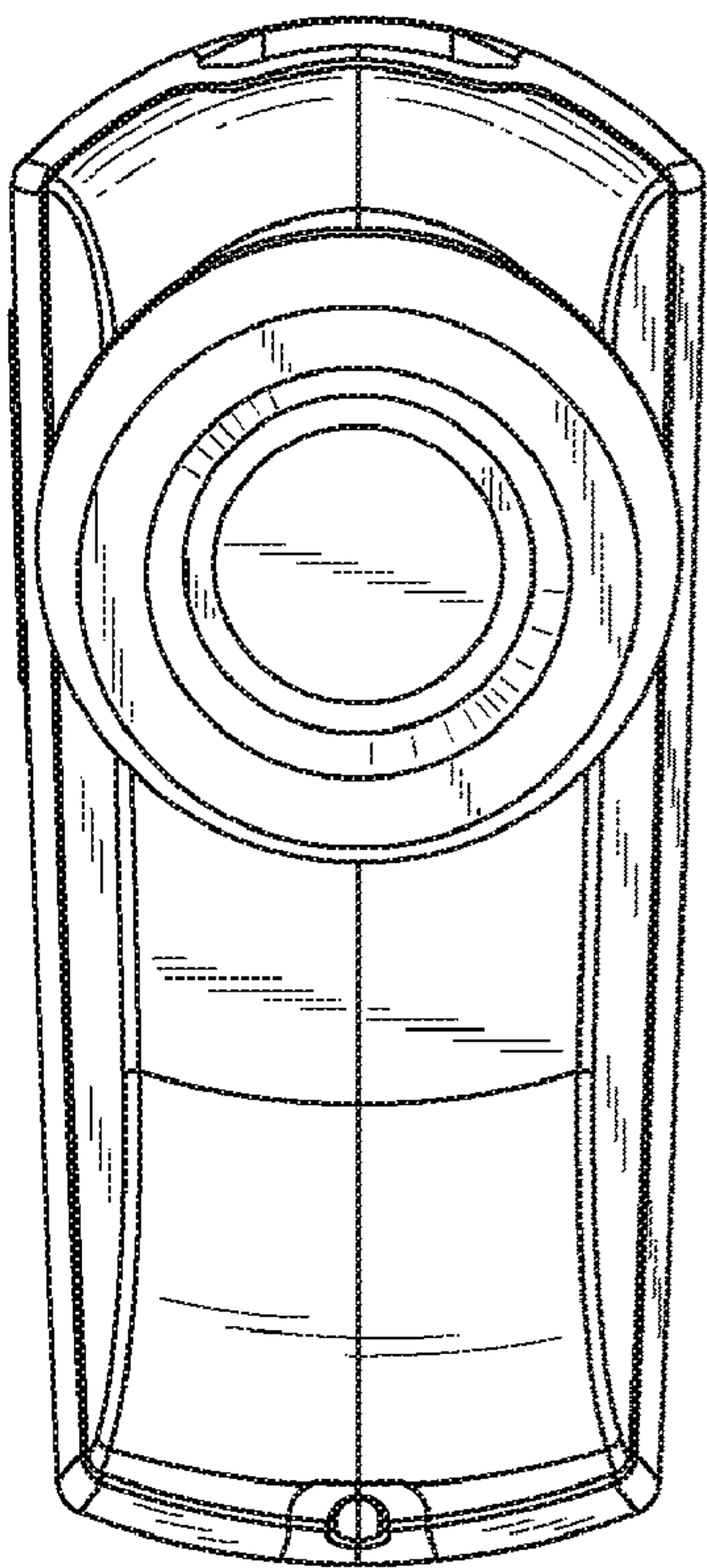


Fig. 6

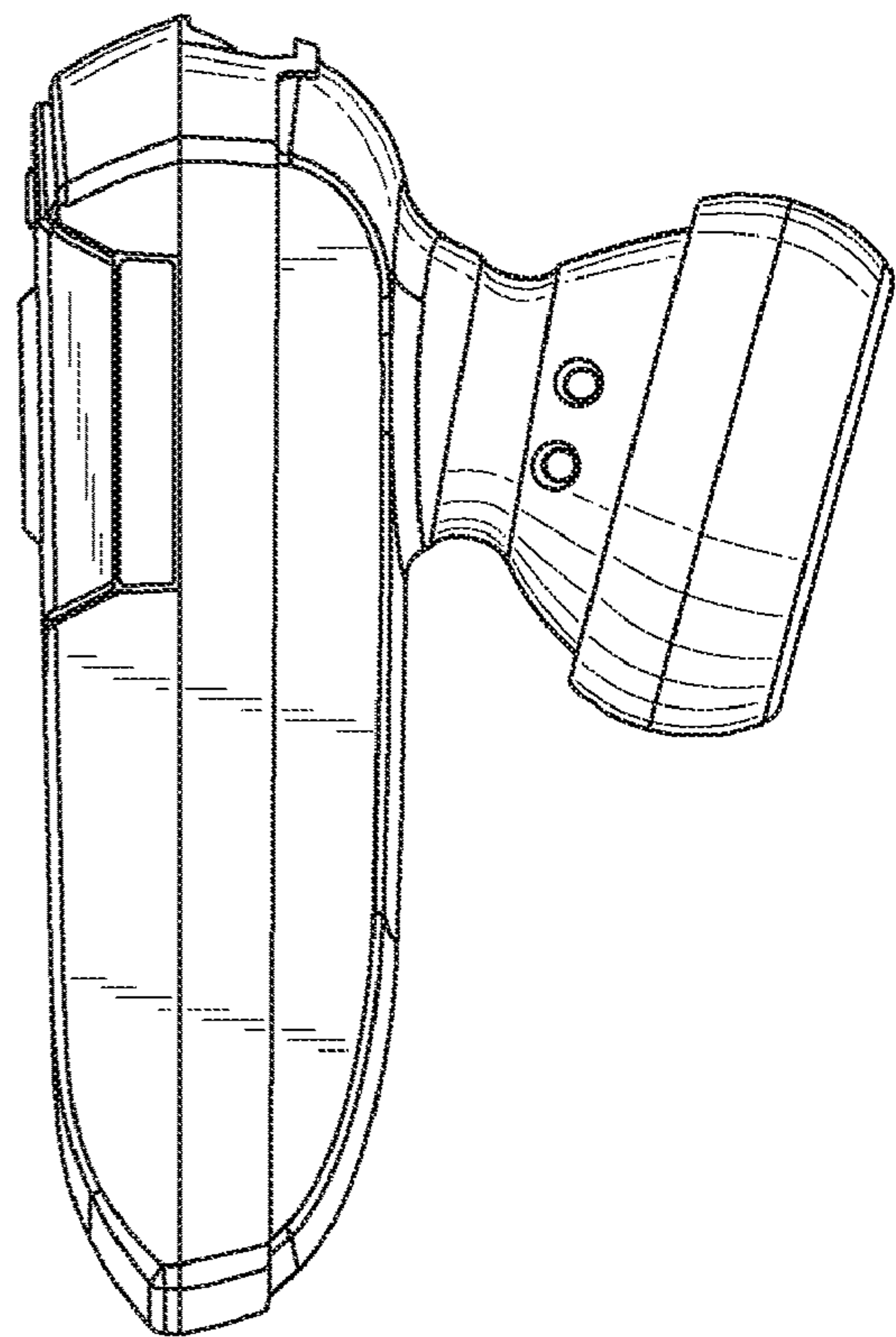


Fig. 7

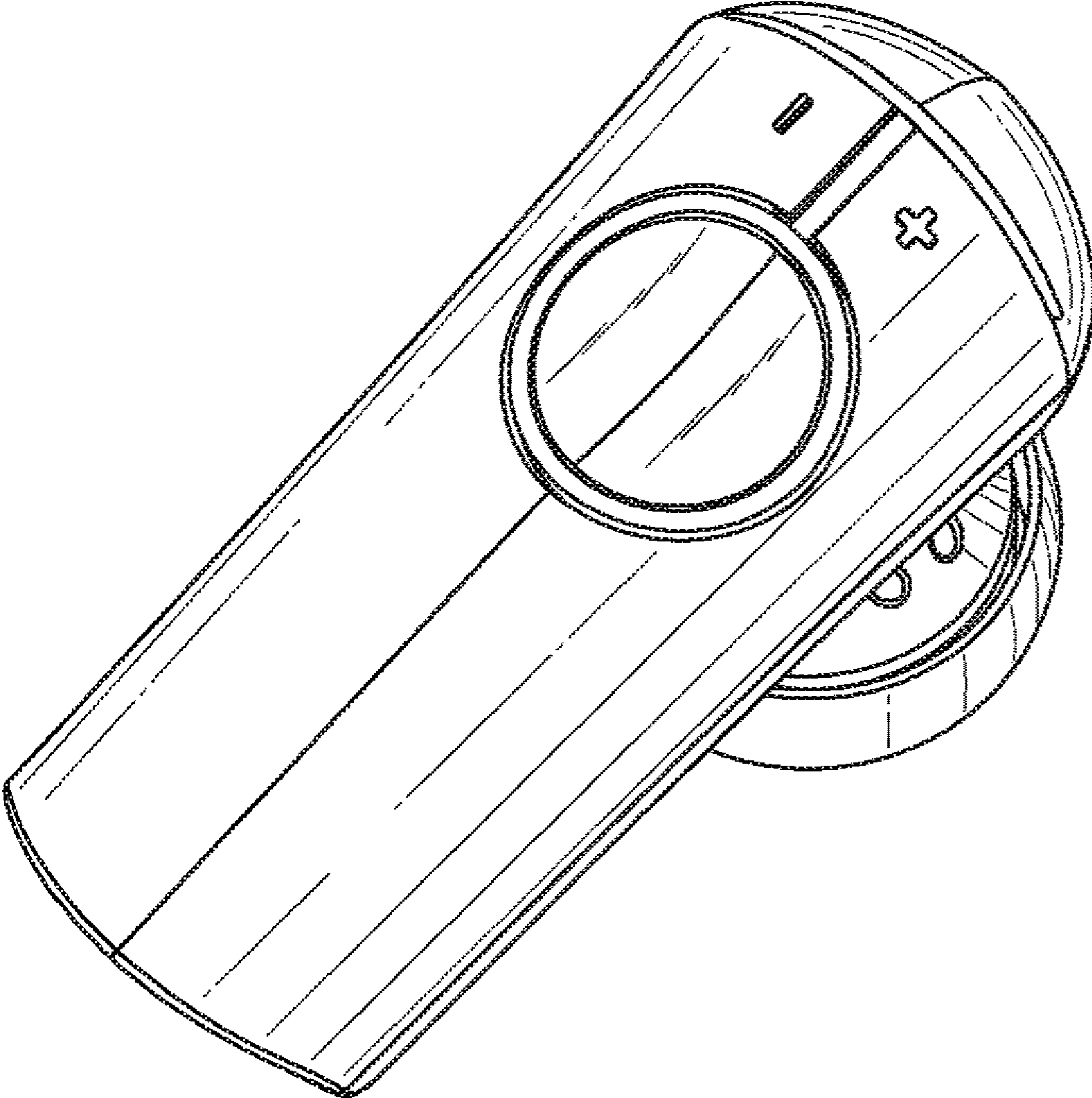


Fig. 8

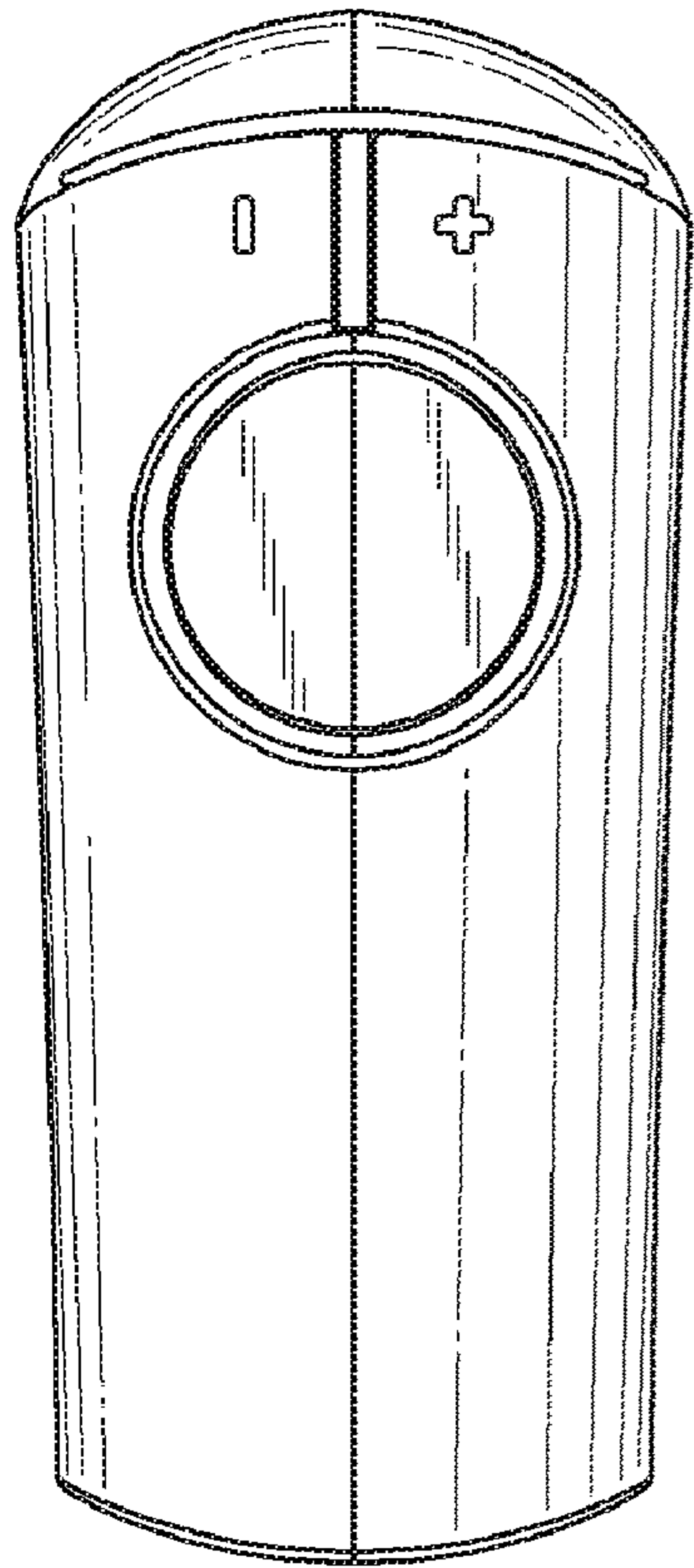


Fig. 9

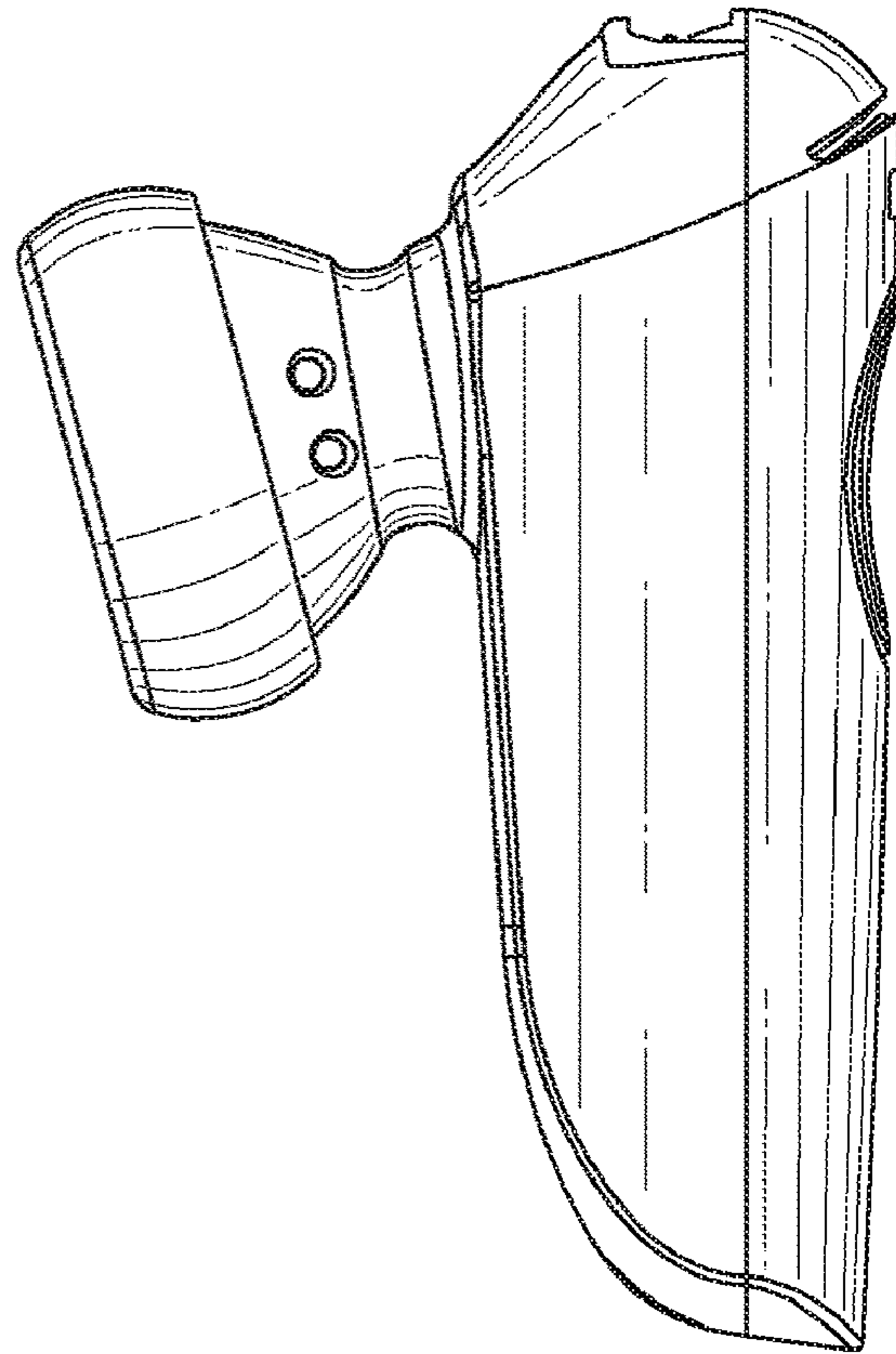


Fig. 10

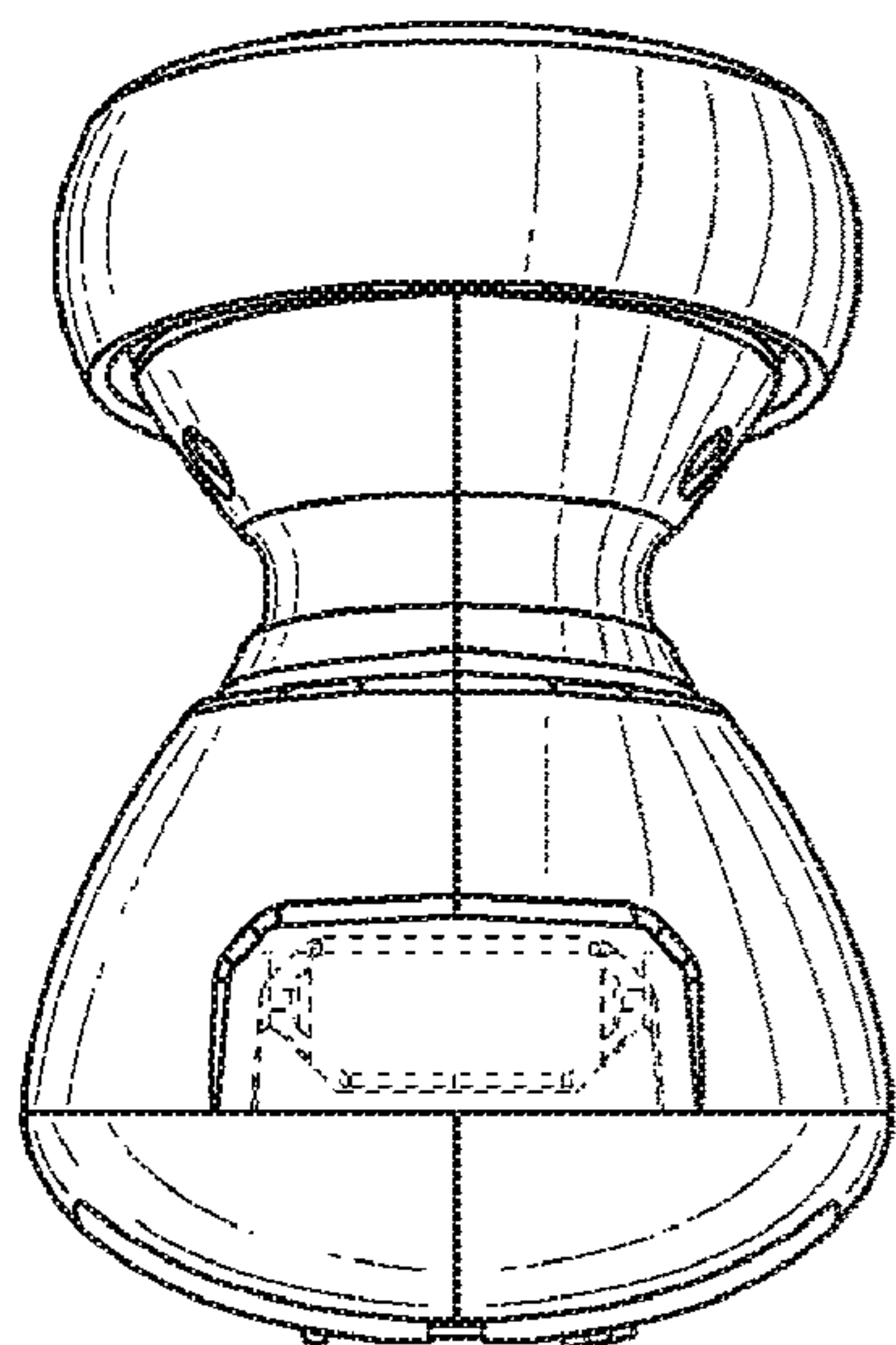


Fig. 11

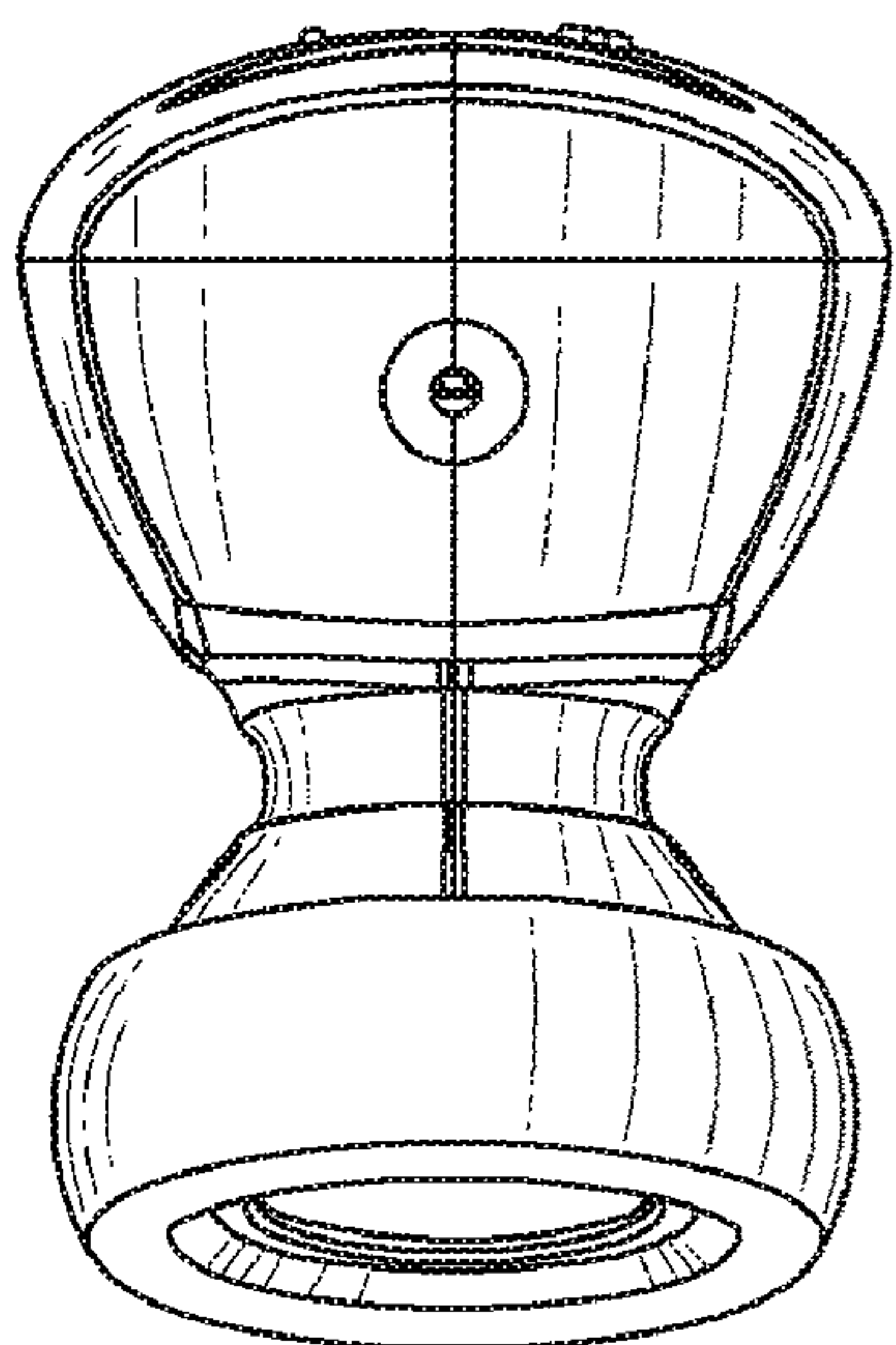


Fig. 12

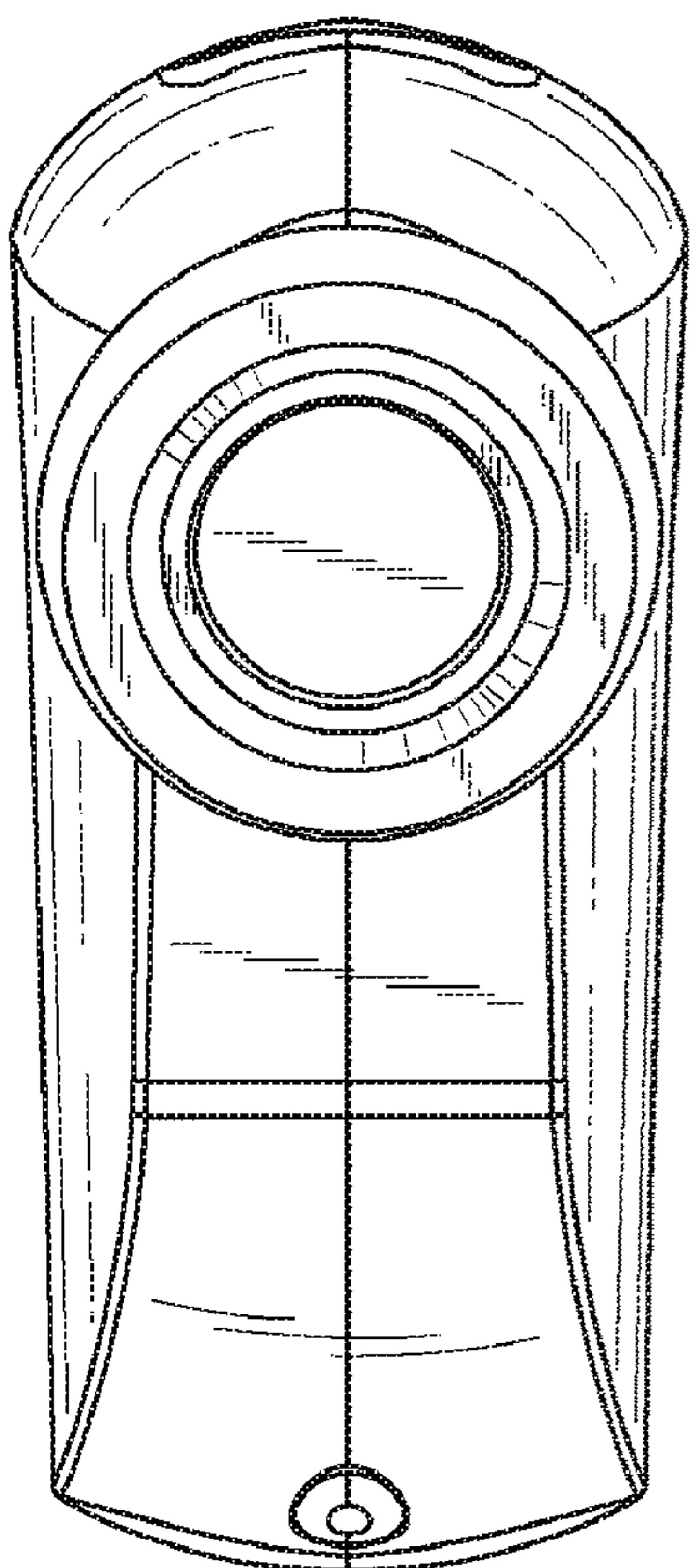


Fig. 13

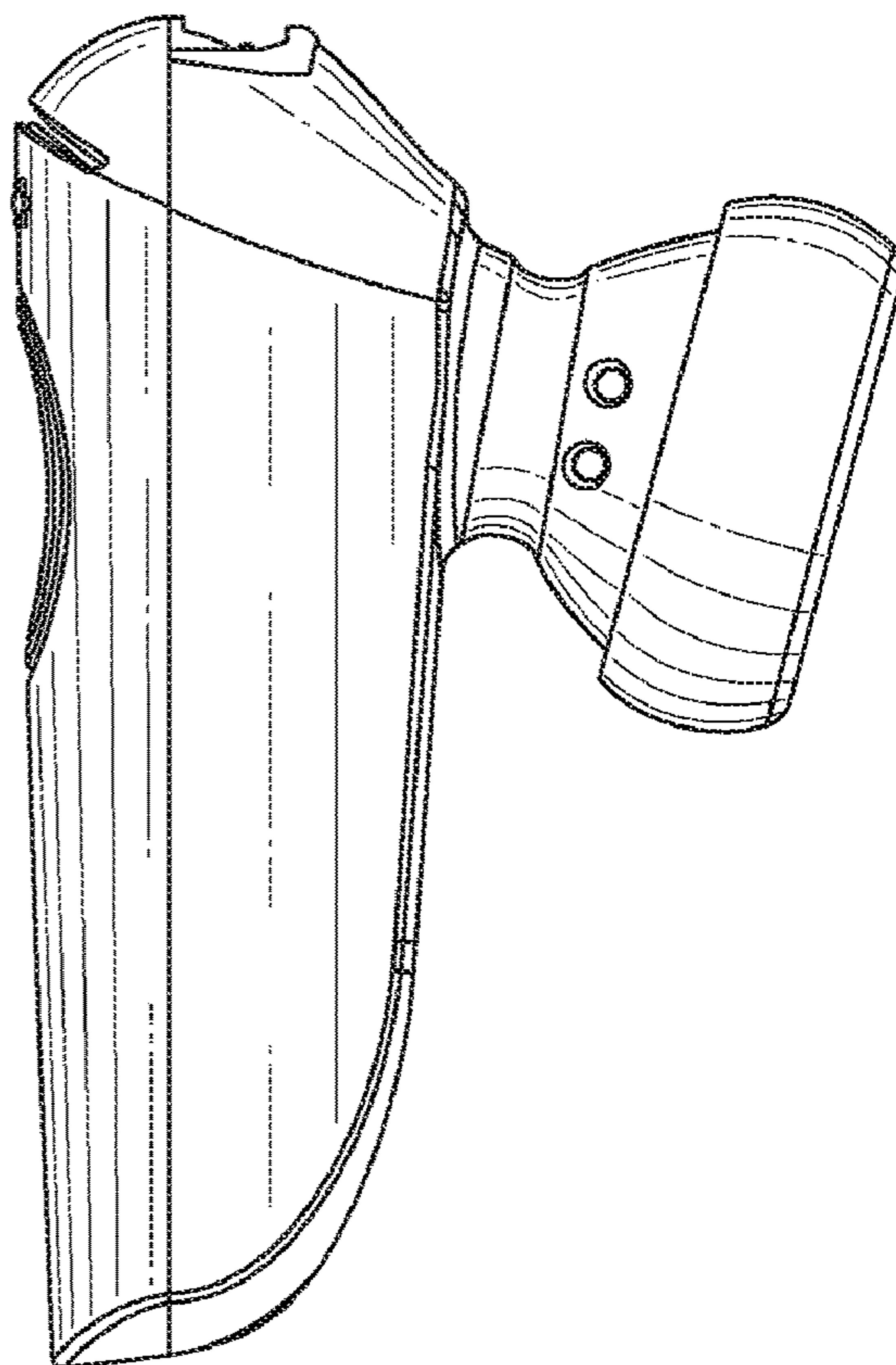


Fig. 14