



US00D606520S

(12) **United States Design Patent**  
**McRae et al.**

(10) **Patent No.:** **US D606,520 S**  
(45) **Date of Patent:** **\*\* Dec. 22, 2009**

(54) **TELEVISION REMOTE CONTROL**

(75) Inventors: **Matthew Blake McRae**, Laguna Beach, CA (US); **Peter Jay Schwartz**, Fullerton, CA (US)

(73) Assignee: **Vizio, Inc.**, Irvine, CA (US)

(\*\*) Term: **14 Years**

(21) Appl. No.: **29/340,896**

(22) Filed: **Jul. 28, 2009**

(51) **LOC (9) Cl.** ..... **14-03**

(52) **U.S. Cl.** ..... **D14/218**

(58) **Field of Classification Search** ..... D14/218, D14/455, 341, 345, 346, 138 AD; D13/168; D21/566; D10/104, 106; 345/169; 348/14.05, 348/114, 211.99, 734; 340/825.24, 825.69; 341/22; 455/92, 95, 128, 151.1-151.4, 352, 455/355, FOR. 121; 700/65

See application file for complete search history.

(56) **References Cited**

**U.S. PATENT DOCUMENTS**

- D367,654 S \* 3/1996 Hertzfeld et al. .... D14/218
- D368,264 S \* 3/1996 Laituri ..... D14/218
- D498,749 S \* 11/2004 Borsboom ..... D14/218
- D518,031 S \* 3/2006 Wu ..... D14/218

- D568,298 S \* 5/2008 Lundgren et al. .... D14/218
- D577,704 S \* 9/2008 Park et al. .... D14/138 AD
- D598,914 S \* 8/2009 Song et al. .... D14/345
- D599,328 S \* 9/2009 Derocher et al. .... D14/218

\* cited by examiner

*Primary Examiner*—T. Chase Nelson  
*Assistant Examiner*—John Windmuller

(74) *Attorney, Agent, or Firm*—Frank Liebenow

(57) **CLAIM**

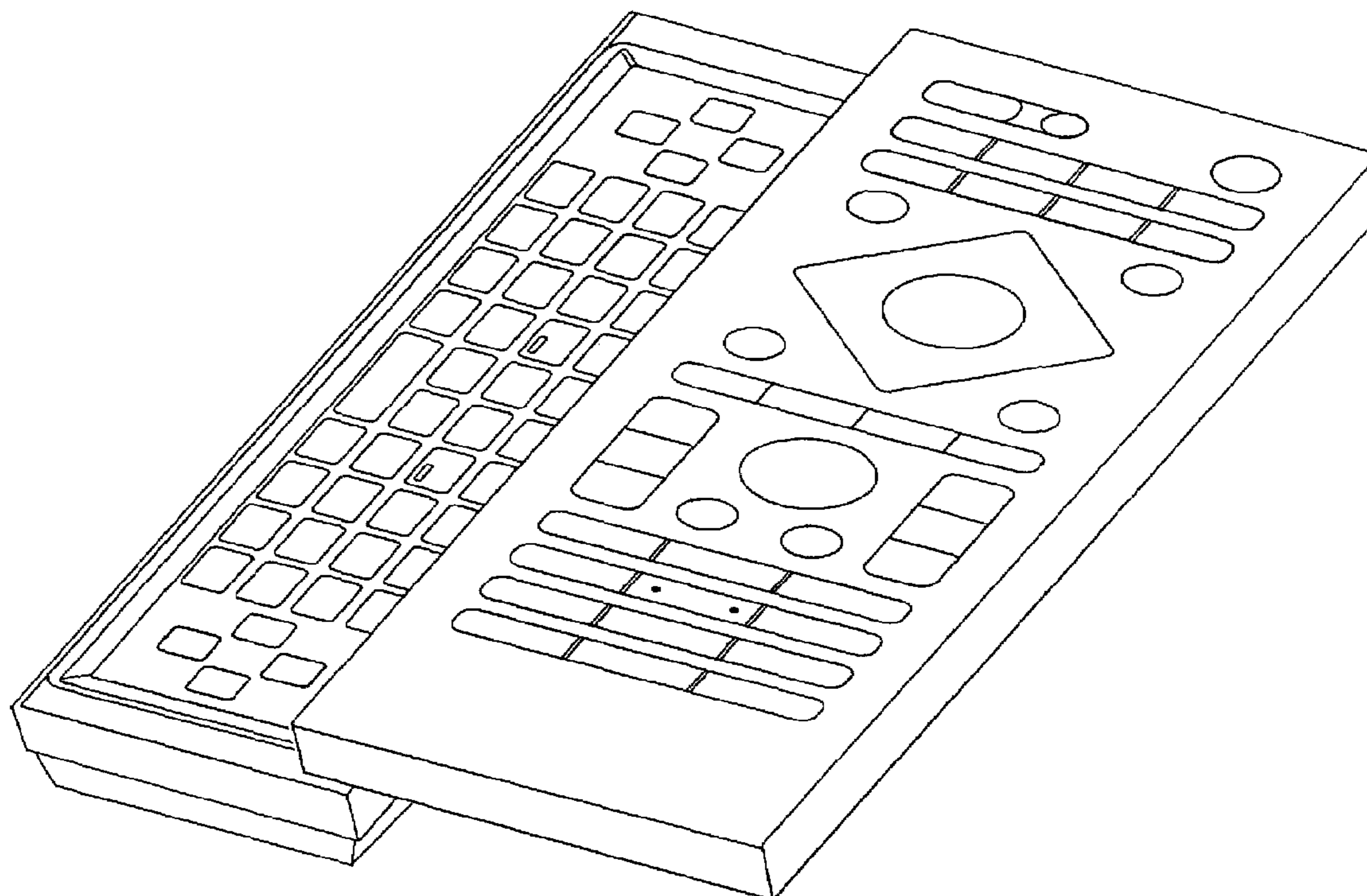
I claim the ornamental design for a television remote control, as shown and described.

**DESCRIPTION**

FIG. 1 is a front elevation view of the television remote control showing my novel design;  
 FIG. 2 is a rear elevation view thereof;  
 FIG. 3 is a left side view thereof;  
 FIG. 4 is a right side view thereof;  
 FIG. 5 is a top plan view thereof;  
 FIG. 6 is a bottom plan view thereof; and,  
 FIG. 7 is a perspective view thereof.

The broken lines in FIG. 2 depict portions of the remote control that form no part of the claimed design.

**1 Claim, 7 Drawing Sheets**



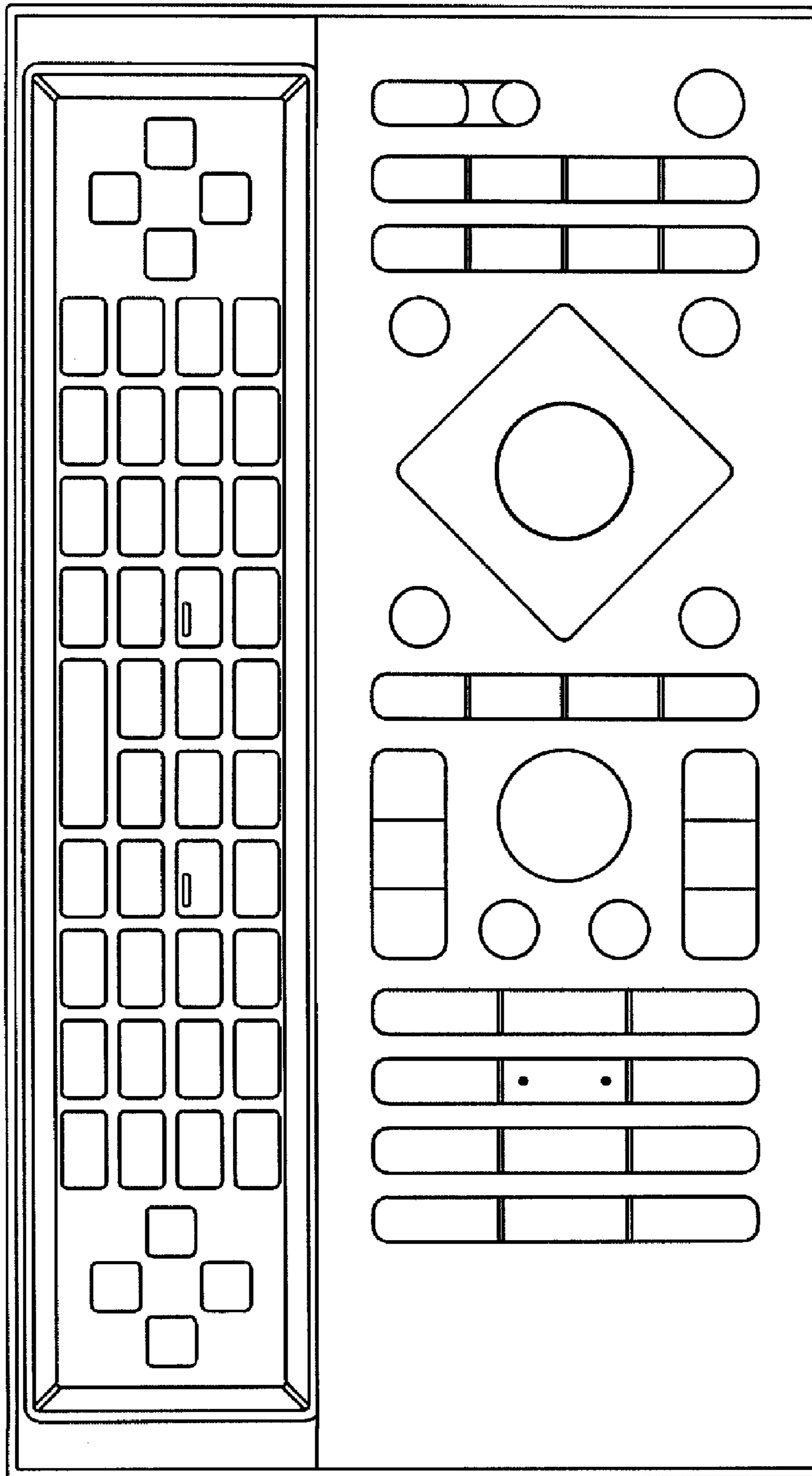


FIG. 1

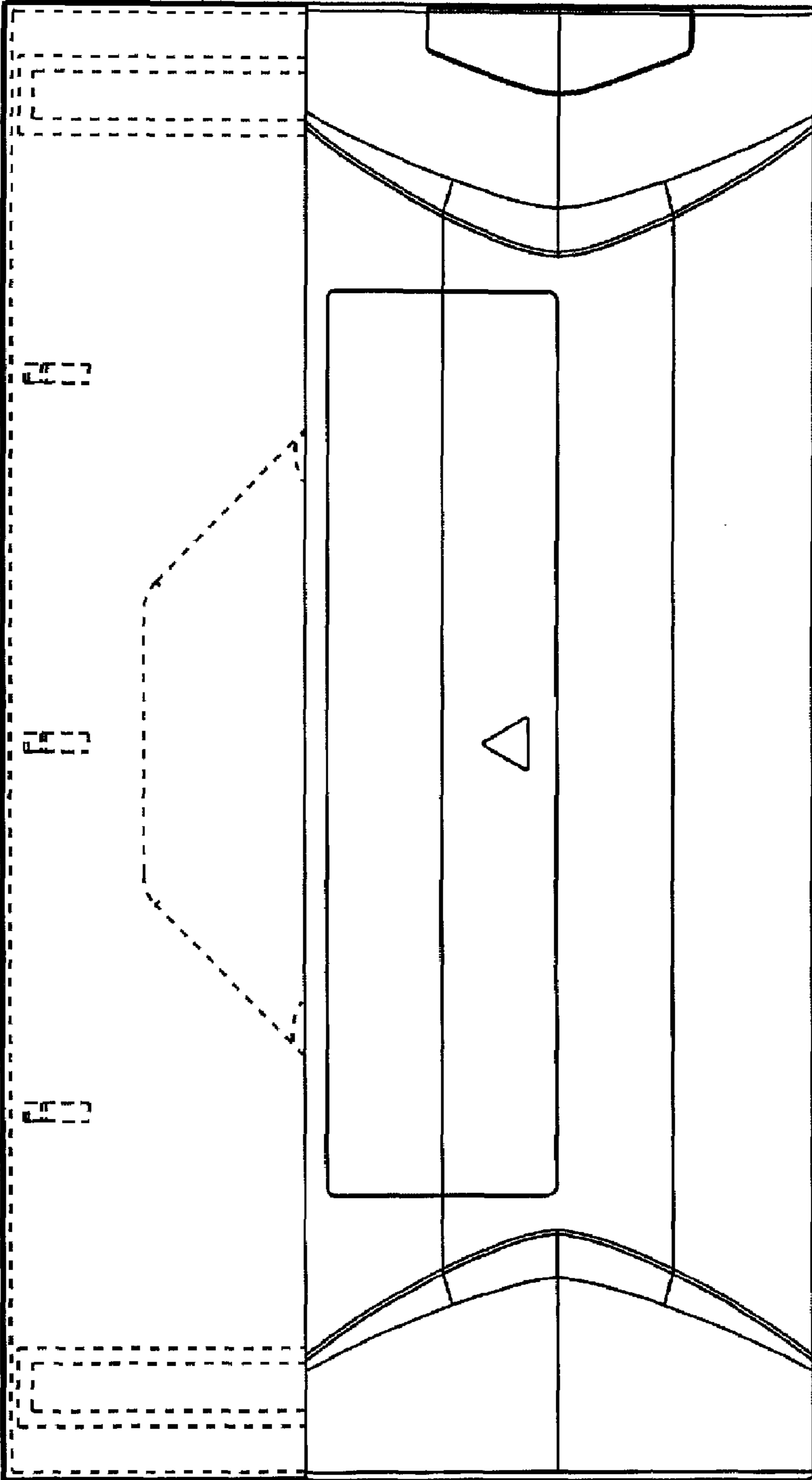


FIG.2

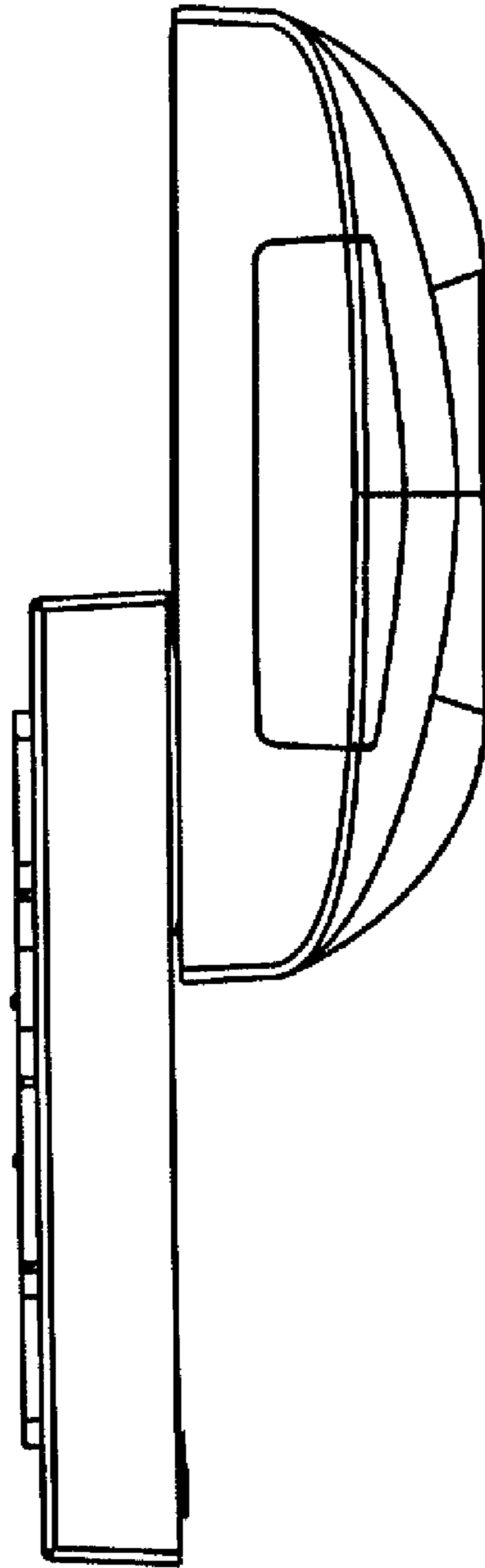


FIG.3

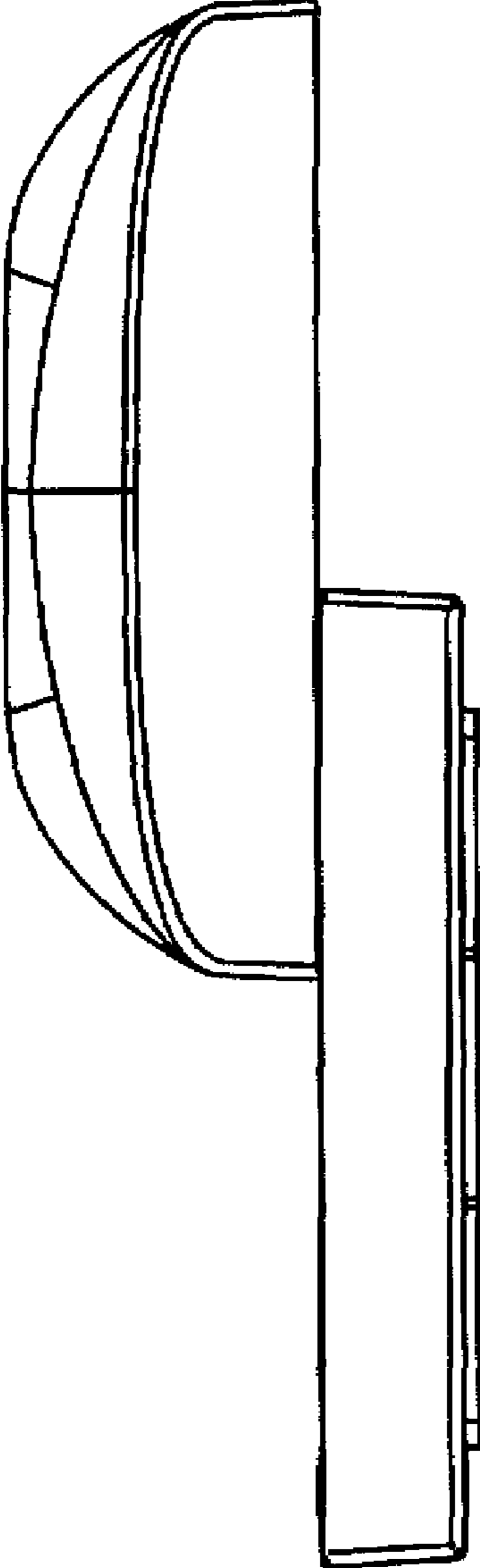


FIG.4

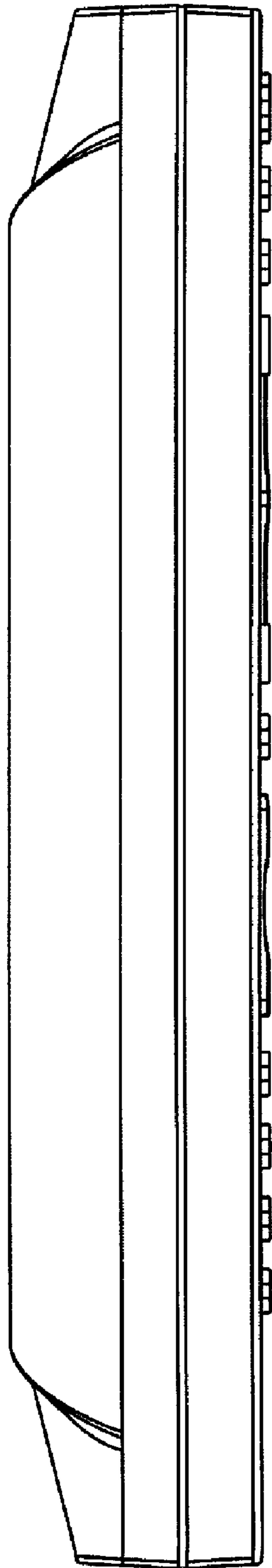


FIG.5

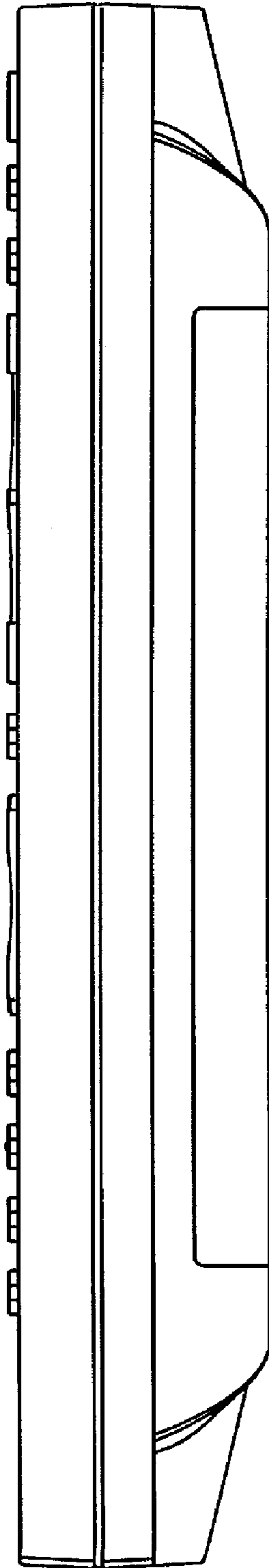


FIG.6

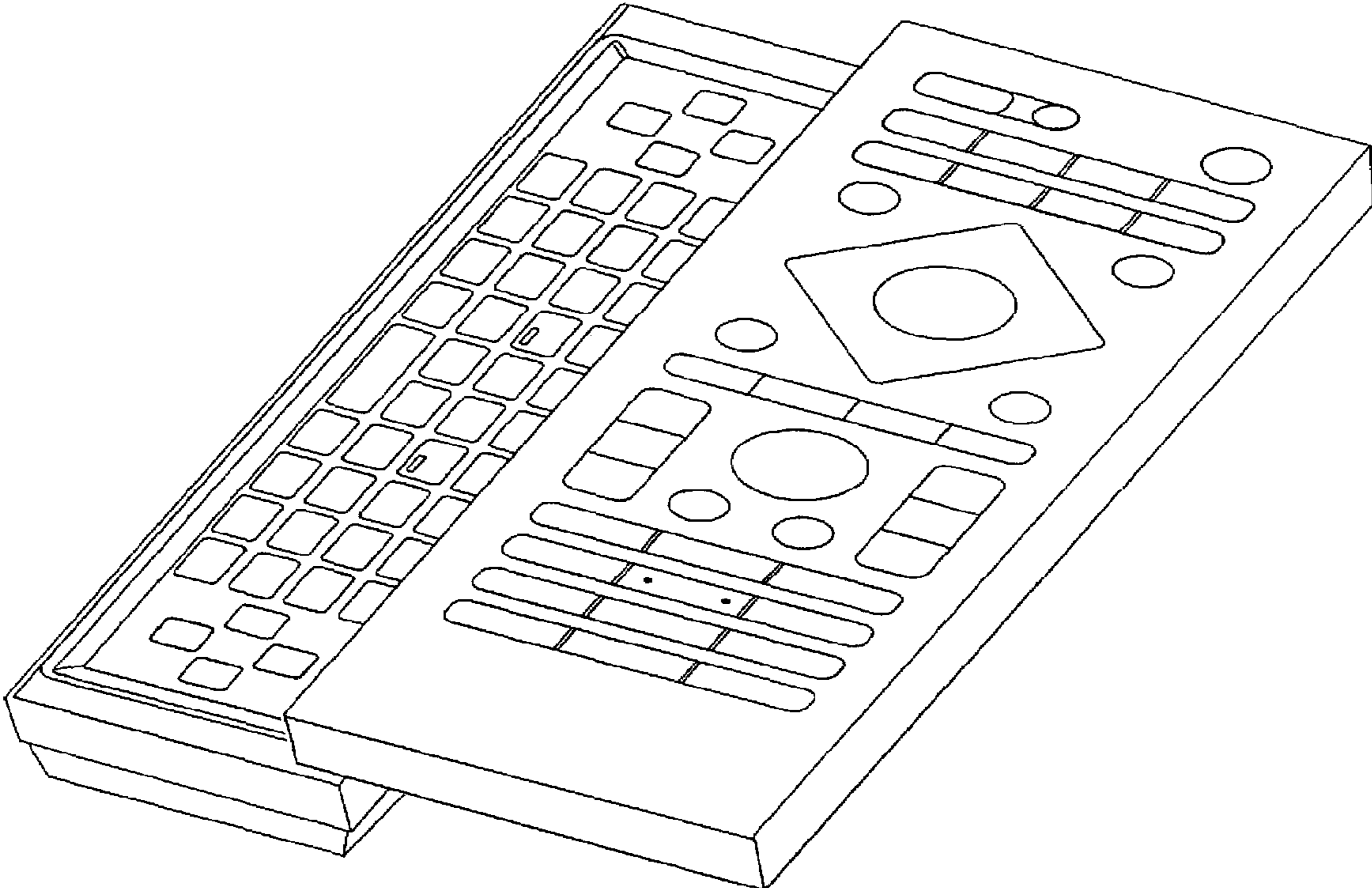


FIG.7