



US00D606518S

(12) **United States Design Patent**  
**Andre et al.**

(10) **Patent No.:** **US D606,518 S**

(45) **Date of Patent:** **\*\* Dec. 22, 2009**

(54) **DOCK INSERT**

(75) Inventors: **Bartley K. Andre**, Menlo Park, CA (US); **Daniel J. Coster**, San Francisco, CA (US); **Daniele De Iulius**, San Francisco, CA (US); **Richard P. Howarth**, San Francisco, CA (US); **Jonathan P. Ive**, San Francisco, CA (US); **Duncan Robert Kerr**, San Francisco, CA (US); **Shin Nishibori**, Portola Valley, CA (US); **Matthew Dean Rohrbach**, San Francisco, CA (US); **Douglas B. Satzger**, Menlo Park, CA (US); **Calvin Q. Seid**, Palo Alto, CA (US); **Christopher J. Stringer**, Woodside, CA (US); **Eugene Antony Whang**, San Francisco, CA (US); **Rico Zorkendorfer**, San Francisco, CA (US)

(73) Assignee: **Apple Inc.**, Cupertino, CA (US)

(\*\*) Term: **14 Years**

(21) Filed: No.: **29/329,382**  
~~29/329,382~~

**Related U.S. Application Data**

(60) Division of application No. 29/317,759, filed on May 6, 2008, now Pat. No. Des. 595,265, which is a continuation of application No. 29/282,543, filed on Jul. 23, 2007, now Pat. No. Des. 568,297, which is a continuation of application No. 29/237,097, filed on Aug. 24, 2005, now Pat. No. Des. 552,085, which is a continuation of application No. 29/237,111, filed on Aug. 24, 2005, now Pat. No. Des. 551,212, which is a continuation of application No. 29/237,112, filed on Aug. 24, 2005, now Pat. No. Des. 551,213.

(51) **LOC (9) Cl.** ..... **14-03**

(52) **U.S. Cl.** ..... **D14/217**

(58) **Field of Classification Search** ..... D14/142, D14/149, 155, 157, 188, 191-193, 230.1-203.8, D14/217, 251, 253, 432-435.1, 447, 451, D14/496, 474, 480.1-480.7; D13/107, 108, D13/118; D3/218; 248/221.11, 309.1; 320/107, 320/110, 113-115; 361/600, 679, 683, 686; 439/529, 534; 455/556.1-556.2, 557

See application file for complete search history.

(56) **References Cited**

U.S. PATENT DOCUMENTS

D328,277 S 7/1992 Leman et al.

(Continued)

OTHER PUBLICATIONS

“AdaptexHub for Notebooks”, [http://www.everythingusb.com/hardware/index/Adaptex\\_xHub\\_for\\_Notebooks.htm](http://www.everythingusb.com/hardware/index/Adaptex_xHub_for_Notebooks.htm), downloaded Nov. 22, 2005.

(Continued)

*Primary Examiner*—Stella M Reid

*Assistant Examiner*—Keli L Hill

(74) *Attorney, Agent, or Firm*—Sterne Kessler Goldstein & Fox PLLC

(57) **CLAIM**

The ornamental design for a dock insert, as shown and described.

**DESCRIPTION**

FIG. 1 is a top perspective view of a dock insert showing our new design;

FIG. 2 is a bottom perspective view thereof;

FIG. 3 is a top view thereof;

FIG. 4 is a bottom view thereof;

FIG. 5 is a rear view thereof;

FIG. 6 is a left view thereof;

FIG. 7 is a front view thereof;

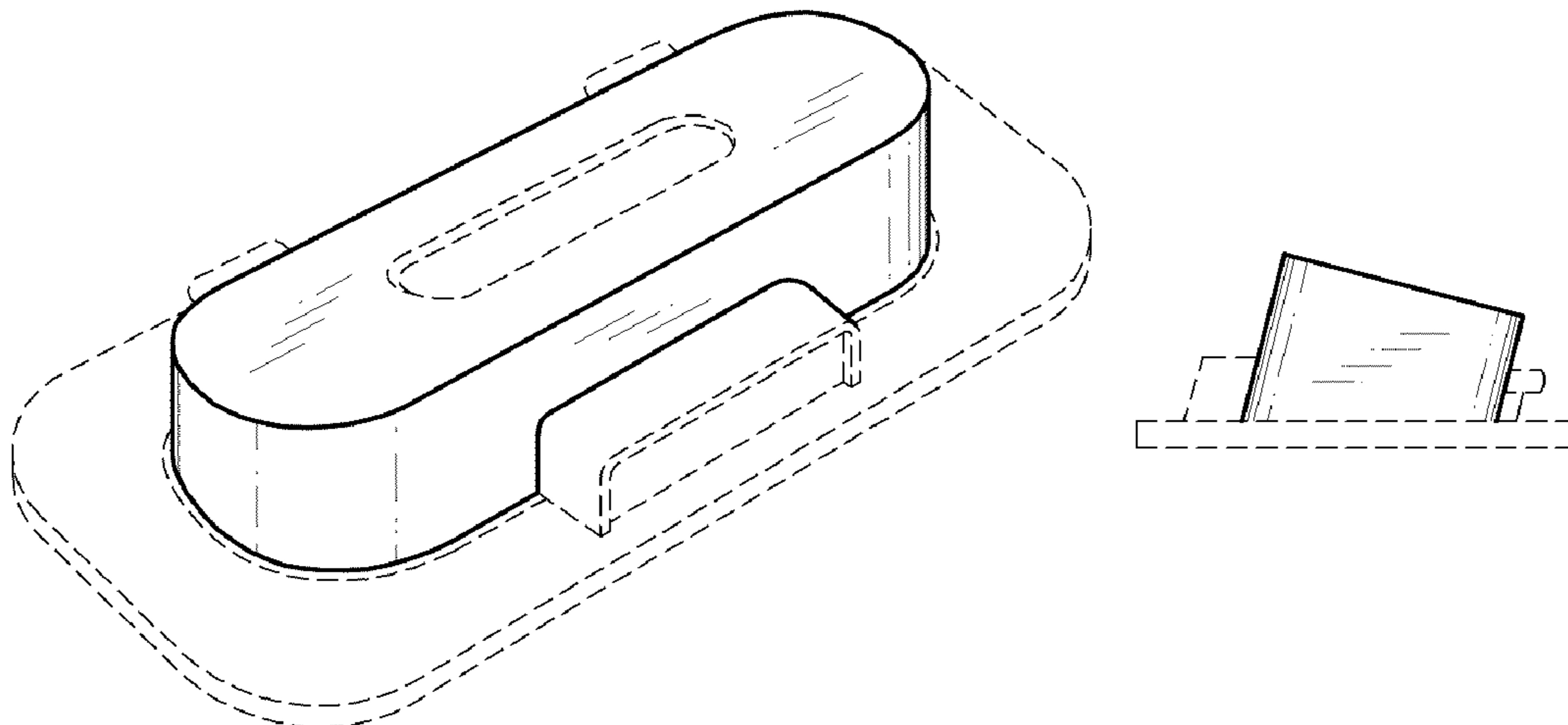
FIG. 8 is a right view thereof;

FIG. 9 is a perspective view showing the dock insert of FIG. 1 in an environment of use; and,

FIG. 10 is a top view showing the dock insert of FIG. 1 in an environment of use.

The broken lines in the Figures are for illustrative purposes only and form no part of the claimed design.

**1 Claim, 3 Drawing Sheets**



U.S. PATENT DOCUMENTS

D336,631 S	6/1993	Ivester	D532,005 S	11/2006	Leith
5,233,281 A	8/1993	Chiang et al.	D534,066 S	12/2006	Arkins
5,280,229 A	1/1994	Faude et al.	7,145,603 B2	12/2006	Whitby et al.
D350,330 S	9/1994	Peterson	D535,614 S	1/2007	Majanen et al.
D358,821 S	5/1995	Hellier et al.	D537,925 S	3/2007	Mahon
D361,069 S	8/1995	Hellier et al.	D540,327 S	4/2007	Wong et al.
D374,858 S	10/1996	Chu	D544,899 S	6/2007	Li et al.
5,600,225 A	2/1997	Goto	D551,212 S	9/2007	Andre et al.
5,602,458 A	2/1997	Dowe	D551,213 S	9/2007	Andre et al.
5,627,727 A	5/1997	Aguilera et al.	D551,214 S	9/2007	Hussaini et al.
D385,530 S	10/1997	Hames et al.	D551,658 S	9/2007	Hussaini et al.
D388,764 S	1/1998	Bartling et al.	D552,085 S	10/2007	Andre et al.
D390,824 S	2/1998	Foster et al.	D552,570 S	10/2007	Niitsu
5,742,149 A	4/1998	Simpson	D553,106 S	10/2007	Griffin
D397,996 S	9/1998	Smith	D558,207 S	12/2007	Ikeda et al.
D409,987 S	5/1999	Okumura	D558,208 S	12/2007	Ikeda et al.
D411,166 S	6/1999	Uemura et al.	D558,738 S	1/2008	Andre et al.
5,926,005 A	7/1999	Holcomb et al.	D558,739 S	1/2008	Andre et al.
5,952,814 A	9/1999	Van Lerberghe	D568,297 S	5/2008	Andre et al.
D416,536 S	11/1999	Ross et al.	D570,335 S	6/2008	Andre et al.
D419,160 S	1/2000	Davidson et al.	D575,275 S	8/2008	Andre et al.
6,042,414 A	3/2000	Kunert	D578,110 S	10/2008	Andre et al.
D422,556 S	4/2000	Okura et al.	D578,512 S	10/2008	Andre et al.
D439,908 S	4/2001	Gozani	D584,313 S	1/2009	Pittel et al.
D440,542 S	4/2001	Hawkins et al.	D595,265 S	6/2009	Andre et al.
D442,939 S	5/2001	Goldenburg	D595,266 S *	6/2009	Andre et al. .... D14/217
D444,121 S	6/2001	Chun et al.	D596,161 S	7/2009	Andre et al.
D444,124 S	6/2001	Casey et al.	D597,079 S	7/2009	Andre et al.
6,307,348 B1	10/2001	Green	D599,783 S	9/2009	Andre et al.
D450,707 S	11/2001	Francavilla et al.	2002/0103008 A1	8/2002	Rahn et al.
D454,332 S	3/2002	Yokoyama	2003/0198015 A1	10/2003	Vogt
D459,299 S	6/2002	Hughes et al.	2006/0250764 A1	11/2006	Howarth et al.
D461,476 S	8/2002	Evers et al.	2007/0047198 A1	3/2007	Crooijmans
D463,361 S	9/2002	Ruohonen	2008/0164845 A1	7/2008	Choi
D466,122 S	11/2002	Moody			
D468,305 S	1/2003	Ma et al.			
6,524,240 B1	2/2003	Thede			
D472,900 S	4/2003	Matsumoto			
D477,823 S	7/2003	Lavello			
D487,897 S	3/2004	Huang et al.			
6,711,005 B2	3/2004	Martin			
D495,336 S	8/2004	Andre et al.			
6,798,647 B2	9/2004	Dickie			
6,813,528 B1	11/2004	Yang			
6,898,080 B2	5/2005	Yin et al.			
D509,790 S	9/2005	Sakai			
D510,091 S	9/2005	Mori et al.			
D520,945 S	5/2006	Hayamizu			
D520,946 S	5/2006	Nasu			
D525,616 S	7/2006	Andre et al.			
7,075,579 B2	7/2006	Whitby et al.			
D526,321 S	8/2006	Hayes et al.			
D530,717 S	10/2006	Mori et al.			

OTHER PUBLICATIONS

“Atech Flash Technology Iduo Ipod Dock and card Reader”, [www.the-gadgeteer.com](http://www.the-gadgeteer.com), downloaded Nov. 21, 2005.

“Belkin Hi-Speed USB 2.07\_Port Hub”, [http://www.everythingusb.com/hardware/index/Belkin\\_Hi-Speed\\_USB\\_2.0\\_7-Port\\_Hub...](http://www.everythingusb.com/hardware/index/Belkin_Hi-Speed_USB_2.0_7-Port_Hub...), downloaded Nov. 22, 2005.

“Belkin’s Top loading USB Hub for iPod shuffle”, [http://www.everythingusb.com/belkin\\_hispeed\\_usb\\_2.0\\_4-port\\_hub.html](http://www.everythingusb.com/belkin_hispeed_usb_2.0_4-port_hub.html), downloaded Nov. 22, 2005.

“BookEndz Home Page” downloaded Apr. 11, 2003, [www.bookendzdocks.com/bookendz/index.htm](http://www.bookendzdocks.com/bookendz/index.htm).

“iPod Dock Cradle”, downloaded Apr. 11, 2003, [www.bookendzdocks.com/bookendz/dock\\_cradle.htm](http://www.bookendzdocks.com/bookendz/dock_cradle.htm).

U.S. Appl. No. 29/284,346, filed Sep. 5, 2007, entitled “Dock Insert”.

U.S. Appl. No. 29/237,687, filed Sep. 2, 2007, entitled “Docking Station”.

U.S. Appl. No. 29/304,583, filed Mar. 4, 2008, entitled “Dock Insert”, now abandoned.

\* cited by examiner

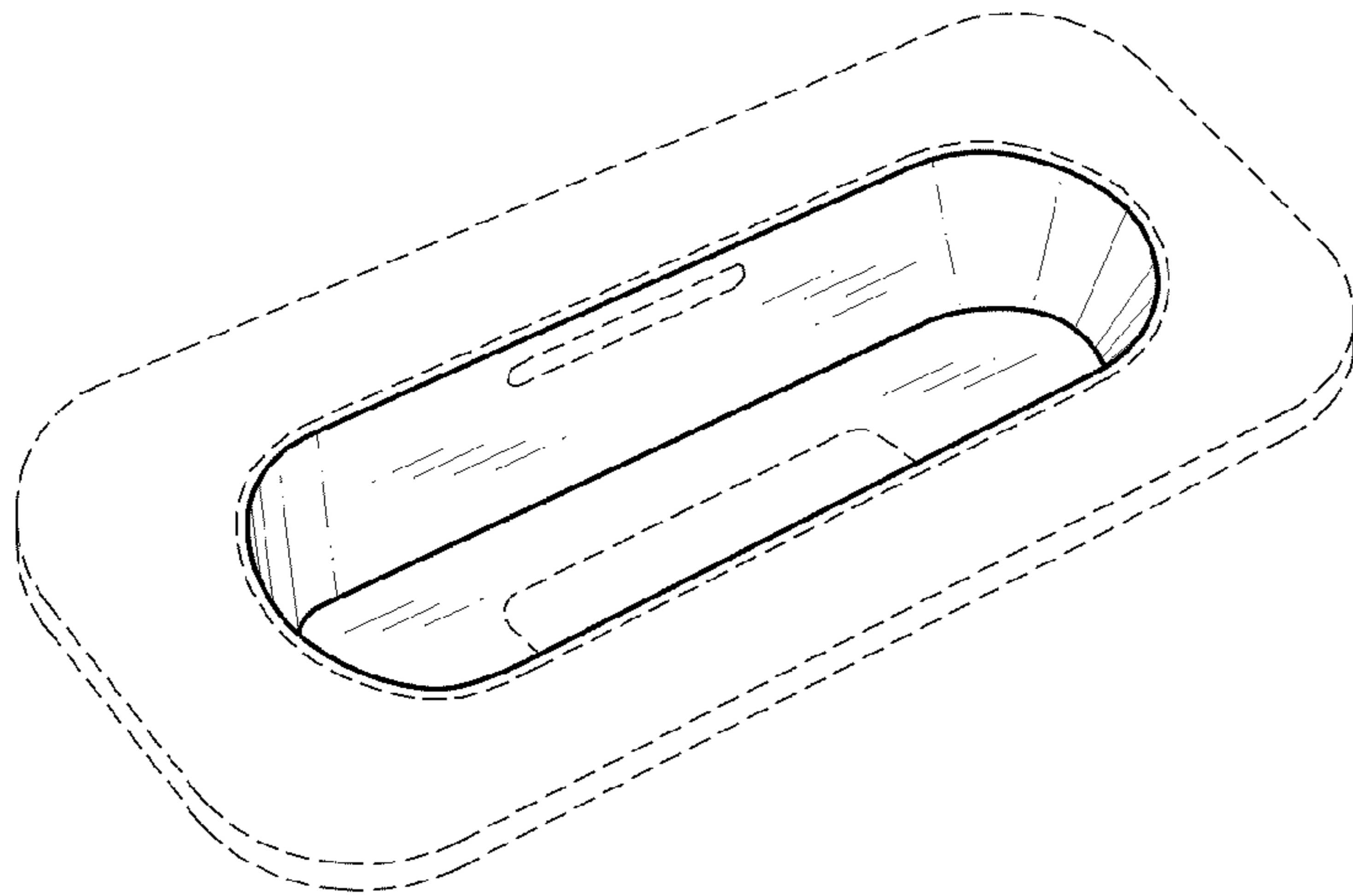


FIGURE 1

FIGURE 2

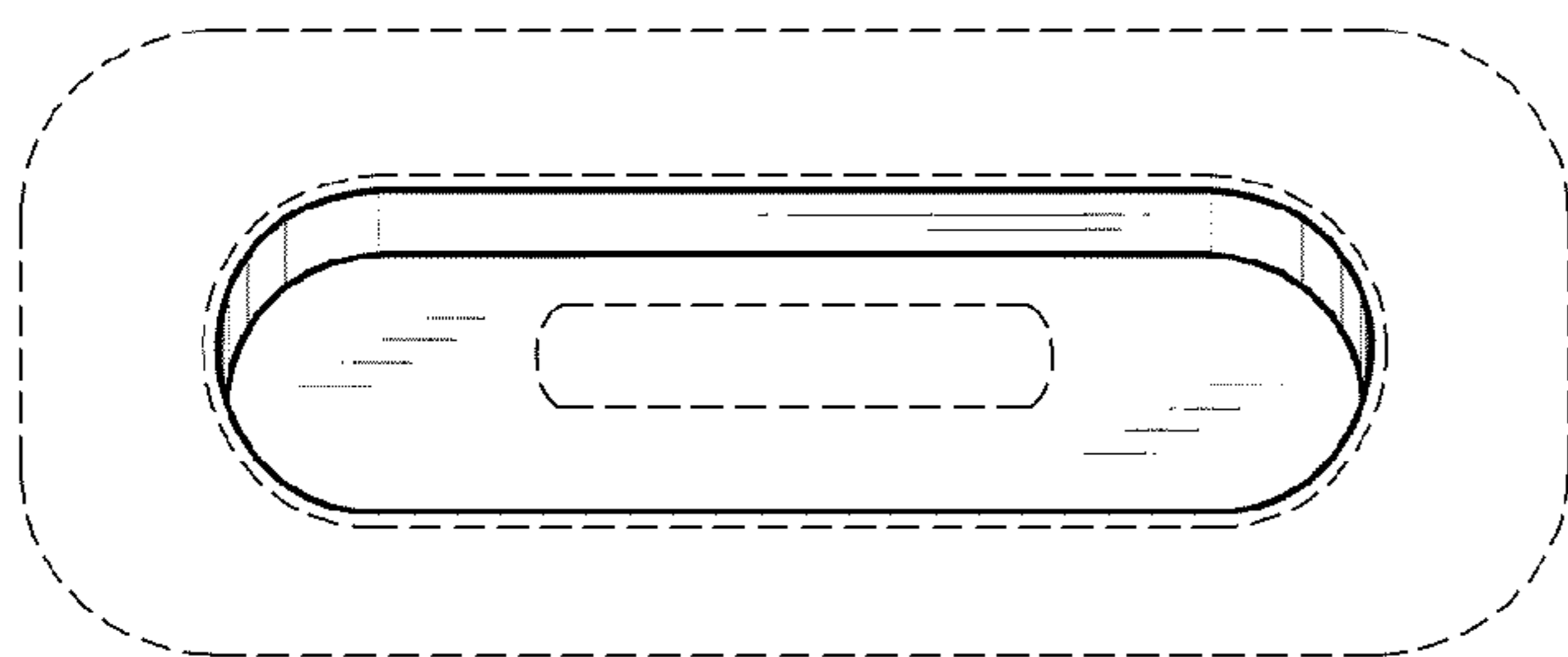
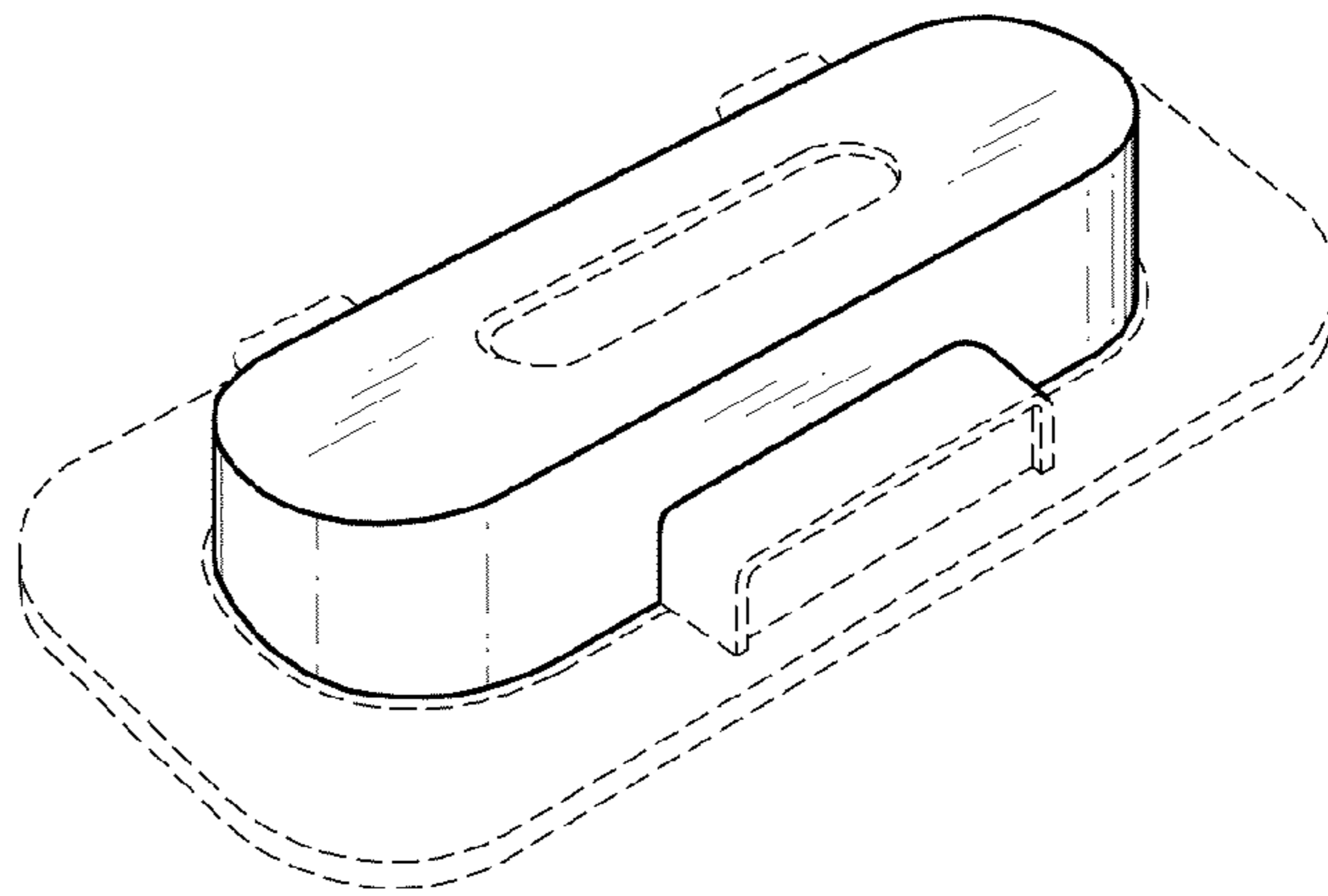
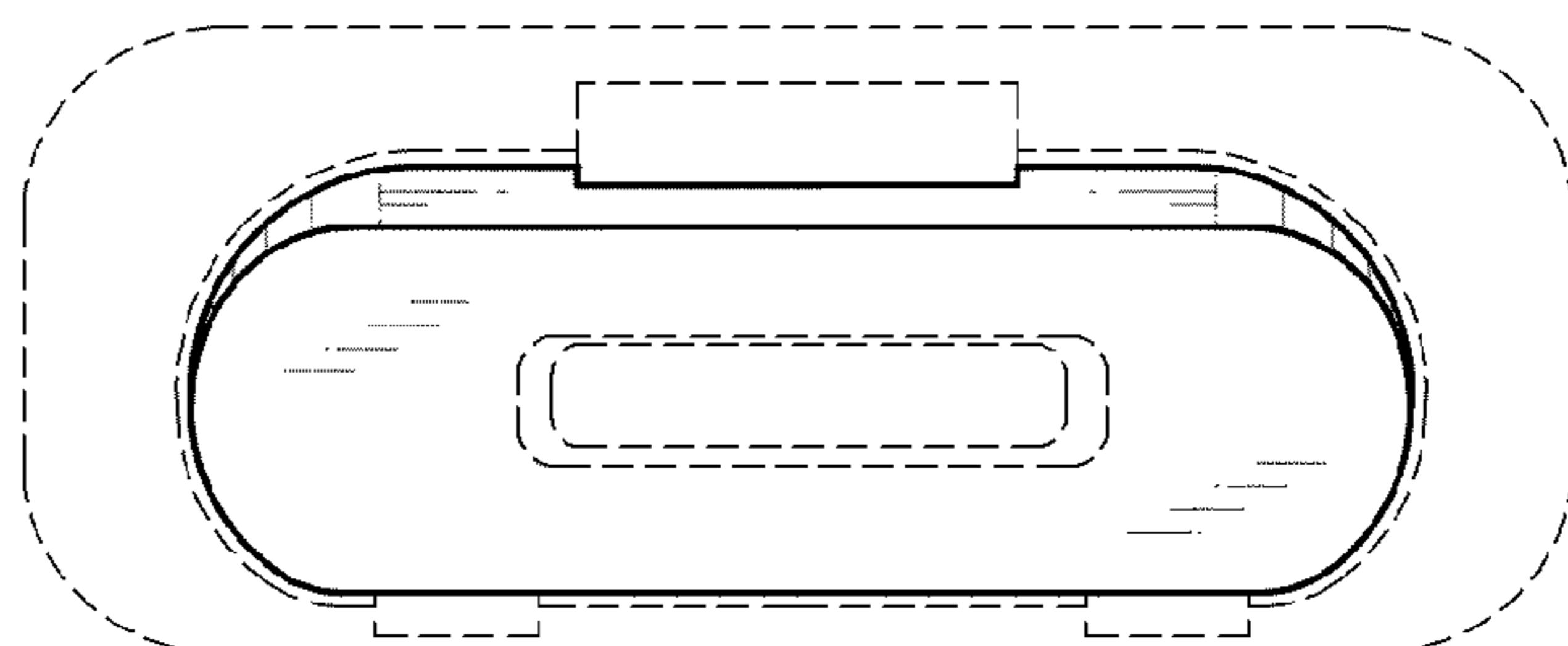
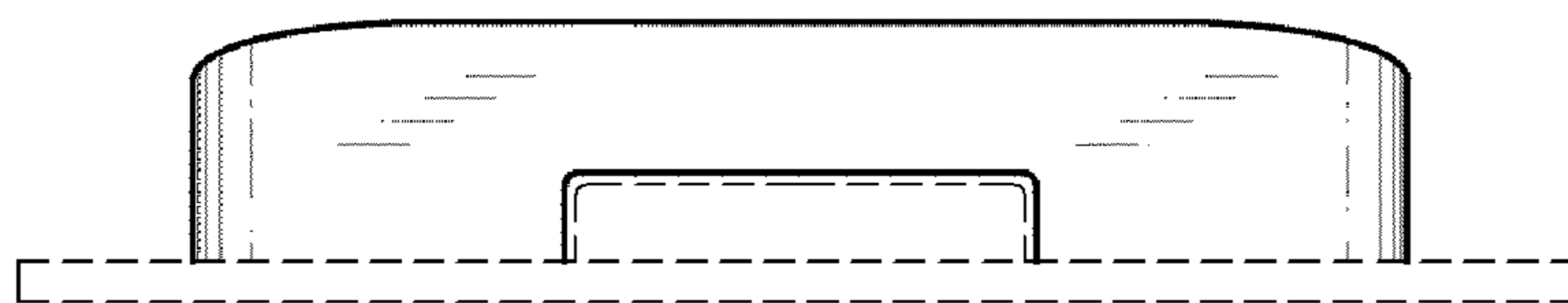


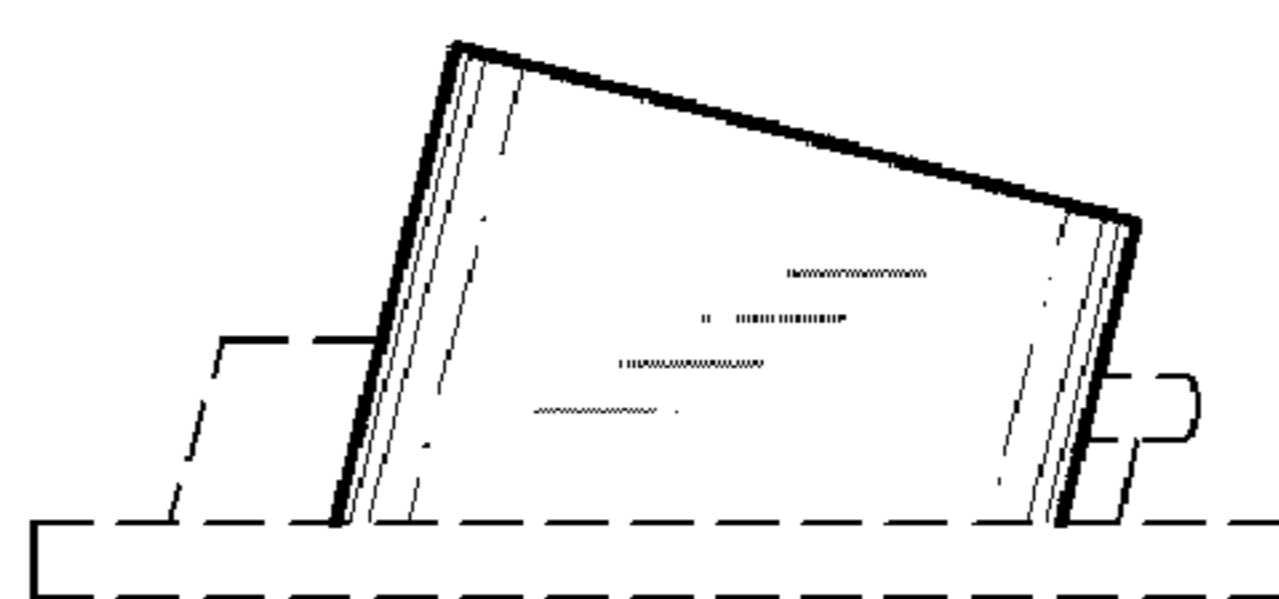
FIGURE 3

FIGURE 4

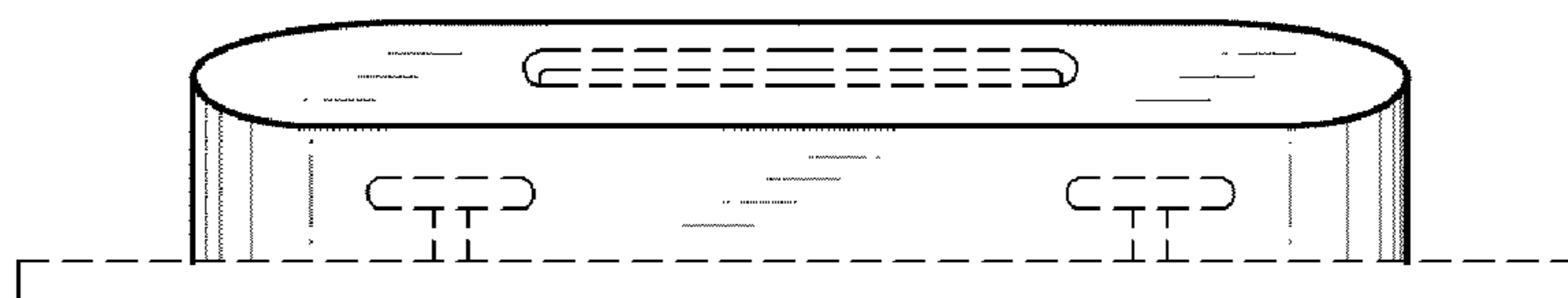




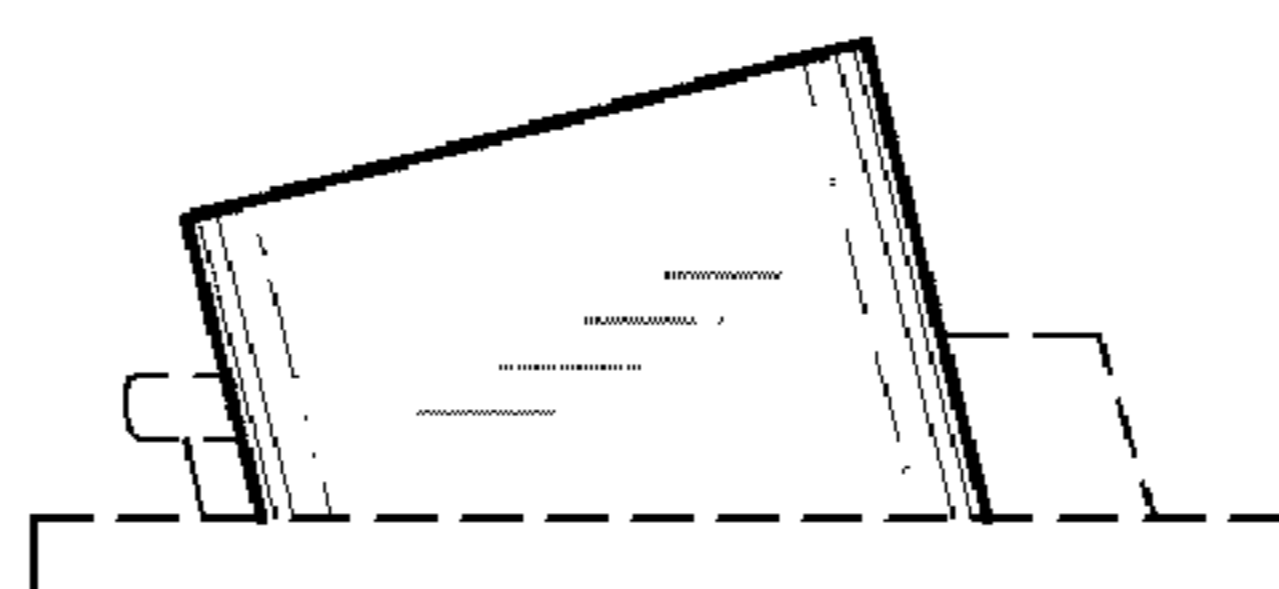
**FIGURE 5**



**FIGURE 6**



**FIGURE 7**



**FIGURE 8**

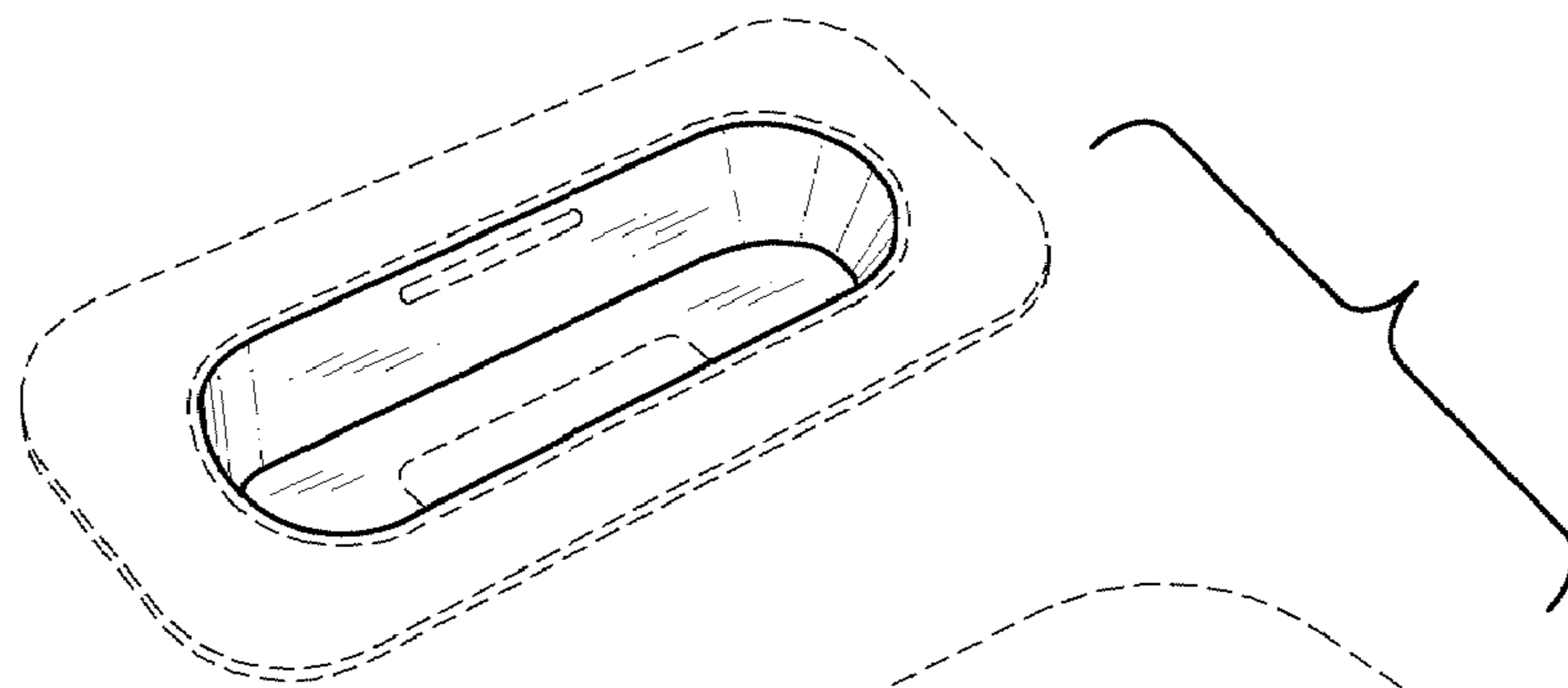


FIGURE 9

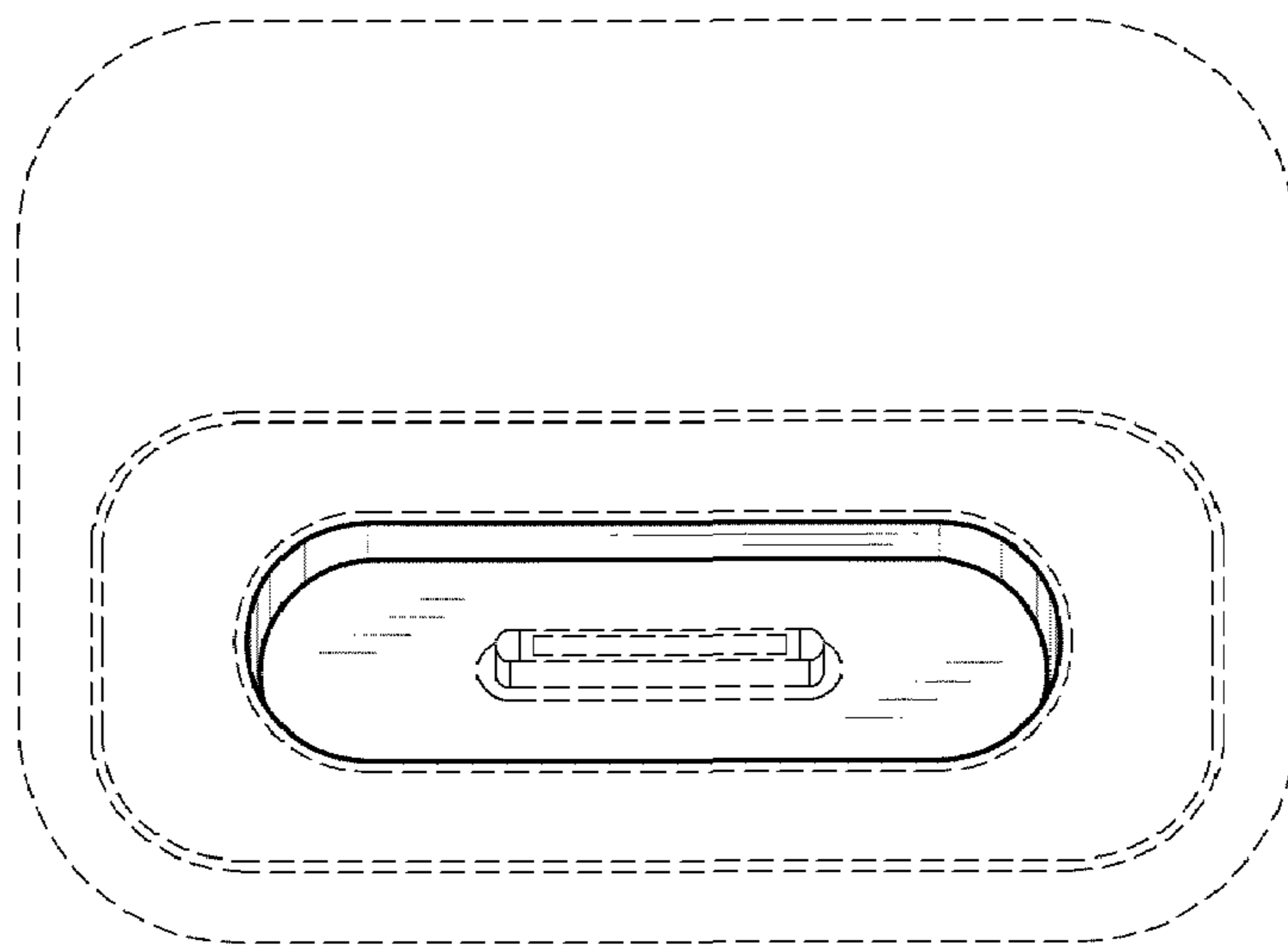
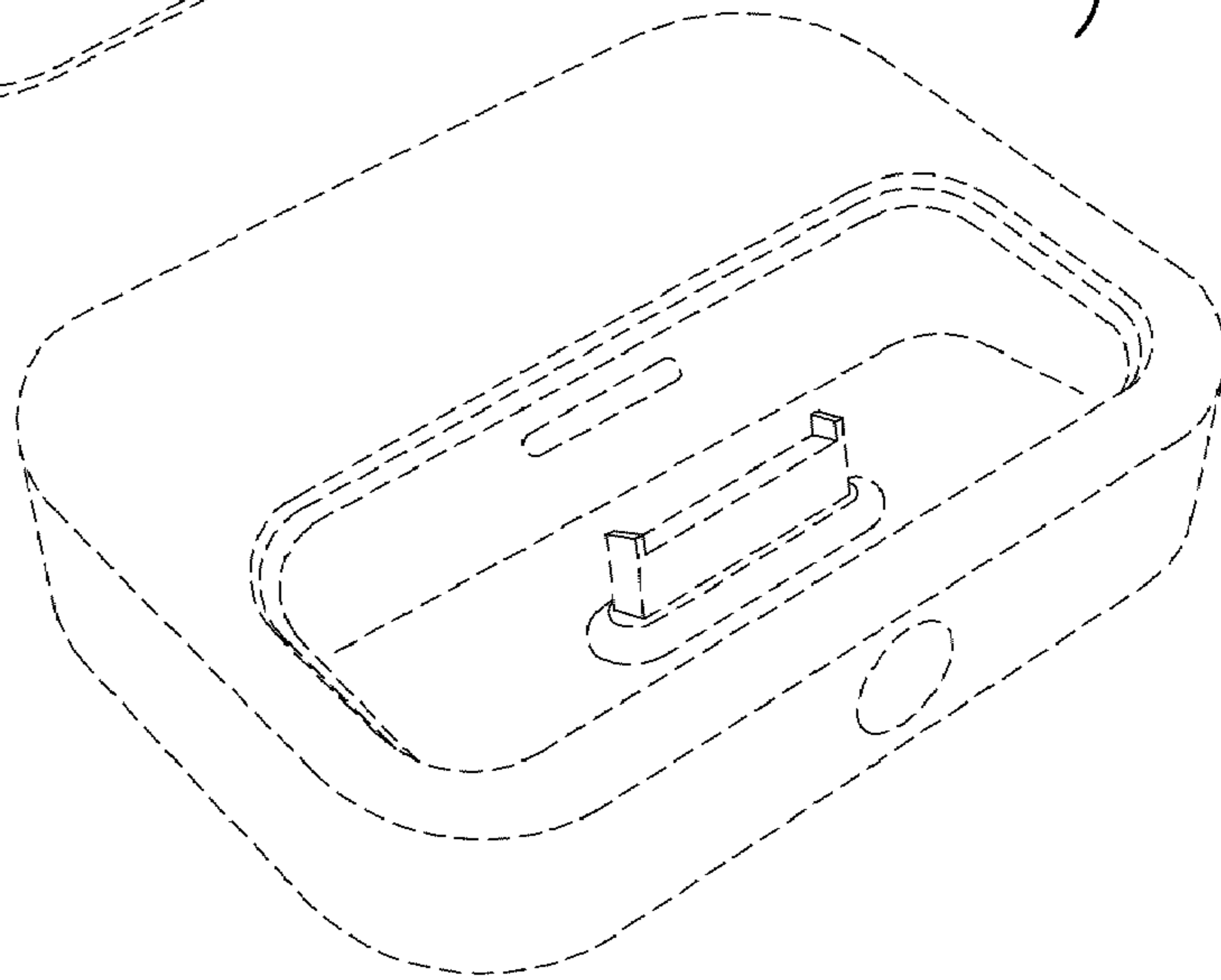


FIGURE 10