

US00D606517S

(12) **United States Design Patent**
Nousiainen et al.

(10) **Patent No.:** **US D606,517 S**
(45) **Date of Patent:** **** Dec. 22, 2009**

(54) **SPEAKER UNIT**

(75) Inventors: **Esa Petteri Nousiainen**, Vantaa (FI);
Jussi Petteri Hämäläinen, Salo (FI)

(73) Assignee: **Nokia Corporation**, Espoo (FI)

(**) Term: **14 Years**

(21) Appl. No.: **29/332,438**

(22) Filed: **Feb. 16, 2009**

(51) **LOC (9) Cl.** **14-01**

(52) **U.S. Cl.** **D14/216**

(58) **Field of Classification Search** D14/204,
D14/210–216, 172, 221–222; 181/143–144,
181/147–148, 150–153, 157, 159, 198–199;
381/300–303, 306, 332–333, 336, 340, 343,
381/345, 361–364, 386–388

See application file for complete search history.

(56) **References Cited**

U.S. PATENT DOCUMENTS

D276,912 S *	12/1984	Yoshikawa	D14/215
5,319,164 A *	6/1994	Shen	181/150
D521,982 S *	5/2006	Schafernak et al.	D14/216
D537,072 S *	2/2007	Kim et al.	D14/215
D542,273 S *	5/2007	Park et al.	D14/215
D577,357 S *	9/2008	Poandl	D14/216

* cited by examiner

Primary Examiner—Nanda Bondade

(74) *Attorney, Agent, or Firm*—Banner & Witcoff, Ltd.

(57) **CLAIM**

The ornamental design for a speaker unit, as shown and described.

DESCRIPTION

FIG. 1 is a front perspective view of a first speaker unit showing our new design;

FIG. 2 is a front view thereof;

FIG. 3 is a right side view thereof;

FIG. 4 is a left side view thereof;

FIG. 5 is a top view thereof;

FIG. 6 is a bottom view thereof;

FIG. 7 is a rear view thereof;

FIG. 8 is a front perspective view of a second speaker unit showing our new design;

FIG. 9 is a front view thereof;

FIG. 10 is a right side view thereof;

FIG. 11 is a left side view thereof;

FIG. 12 is a top view thereof;

FIG. 13 is a bottom view thereof;

FIG. 14 is a rear view thereof;

FIG. 15 is a front perspective view of a third speaker unit showing our new design;

FIG. 16 is a front view thereof;

FIG. 17 is a right side view thereof;

FIG. 18 is a left side view thereof;

FIG. 19 is a top view thereof;

FIG. 20 is a bottom view thereof;

FIG. 21 is a rear view thereof;

FIG. 22 is a front perspective view of a fourth speaker unit showing our new design;

FIG. 23 is a front view thereof;

FIG. 24 is a right side view thereof;

FIG. 25 is a left side view thereof;

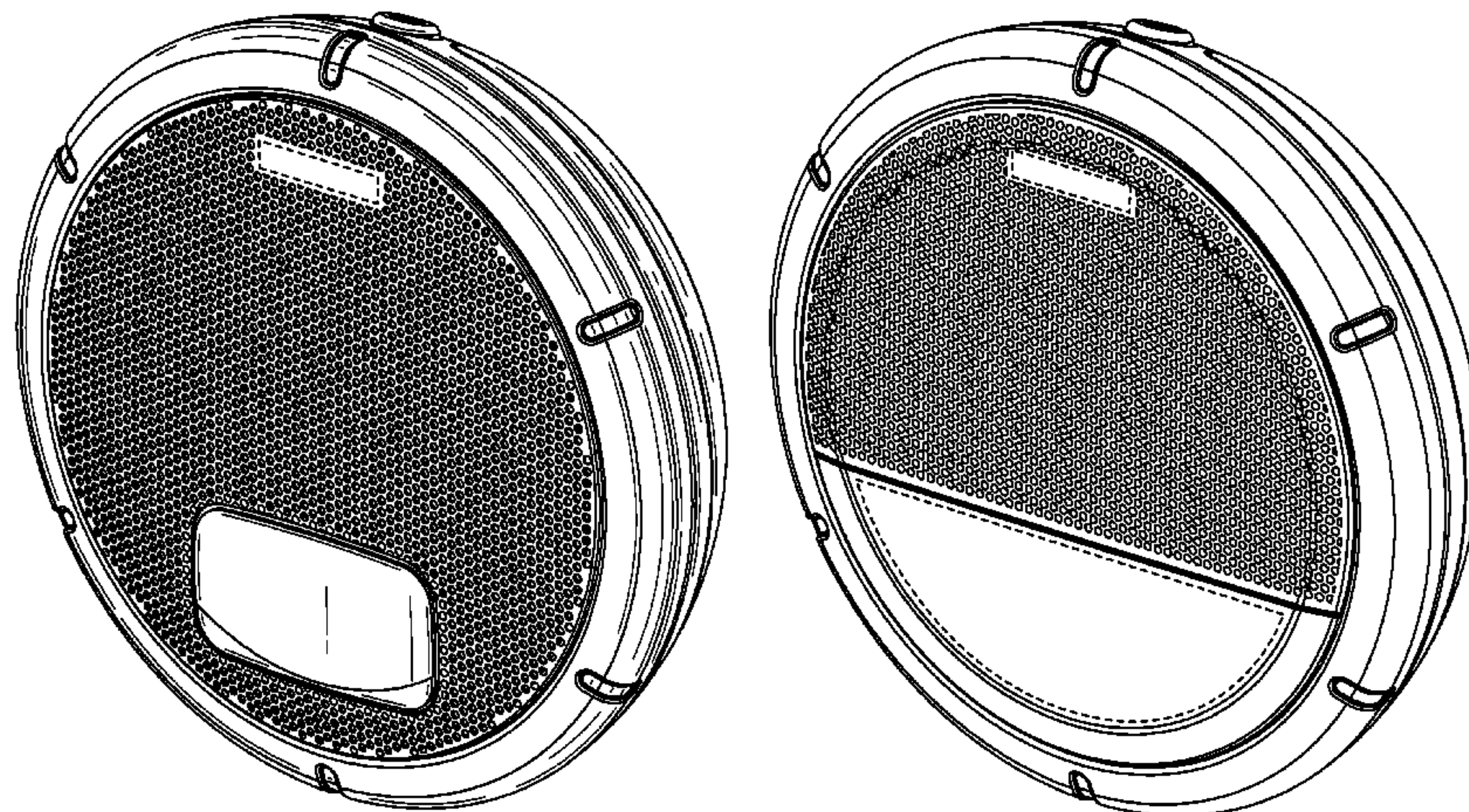
FIG. 26 is a top view thereof;

FIG. 27 is a bottom view thereof; and,

FIG. 28 is a rear view thereof.

The broken line showing of the environmental structure of the speaker unit and the area bounded inside of the broken line areas in FIGS. 1–14 is for illustrative purposes only and forms no part of the claimed design.

1 Claim, 20 Drawing Sheets



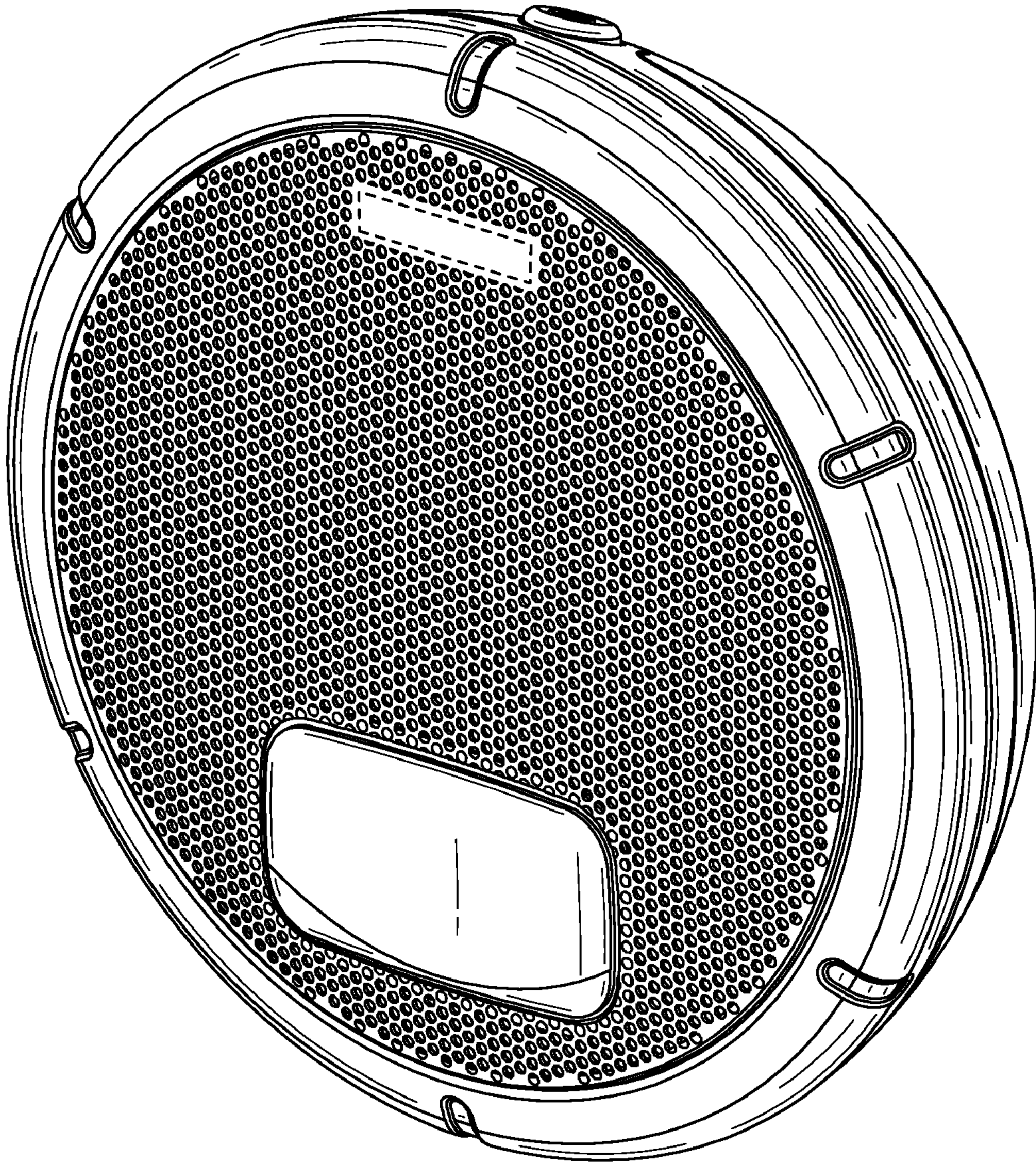


FIG. 1

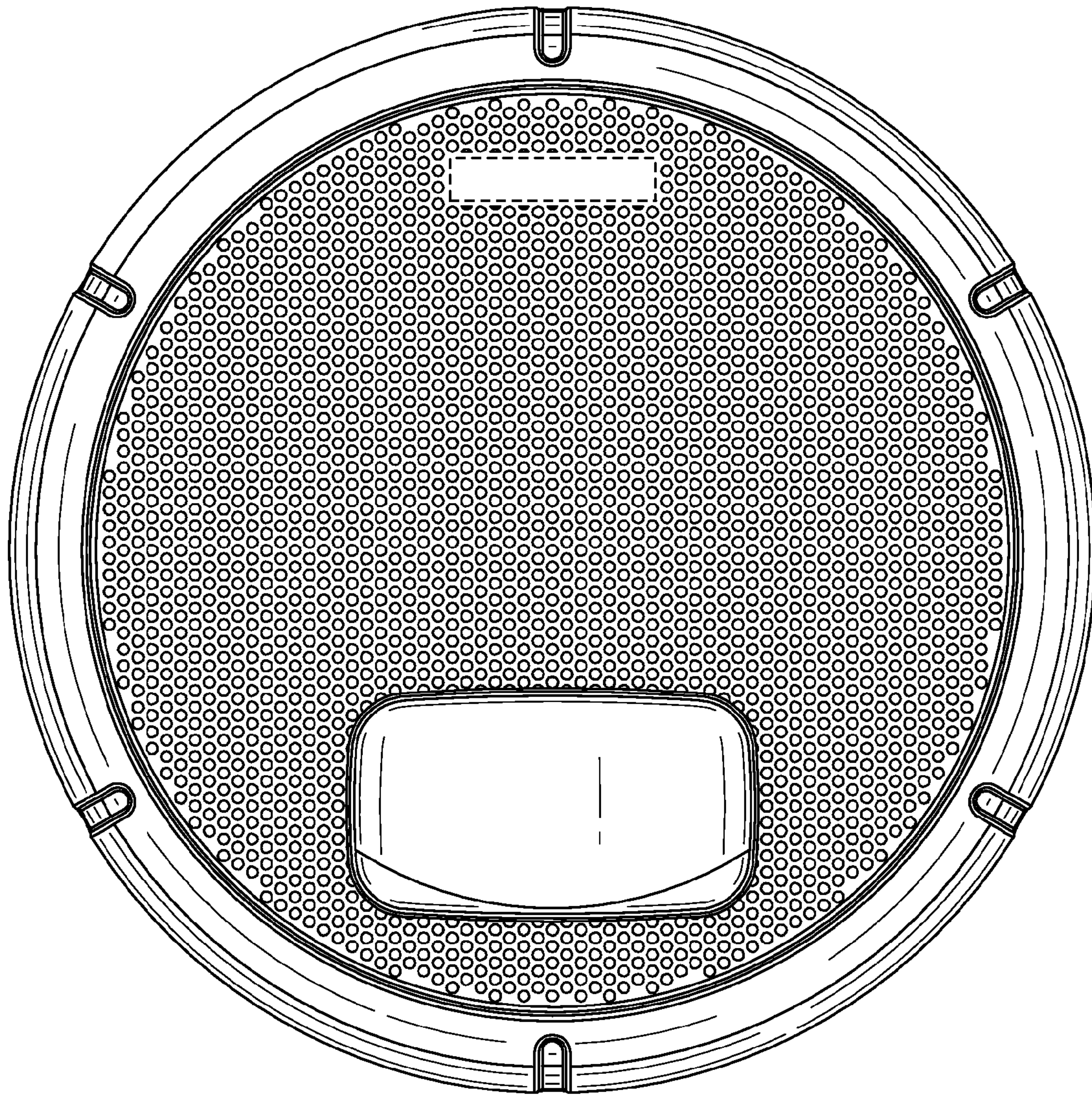


FIG. 2

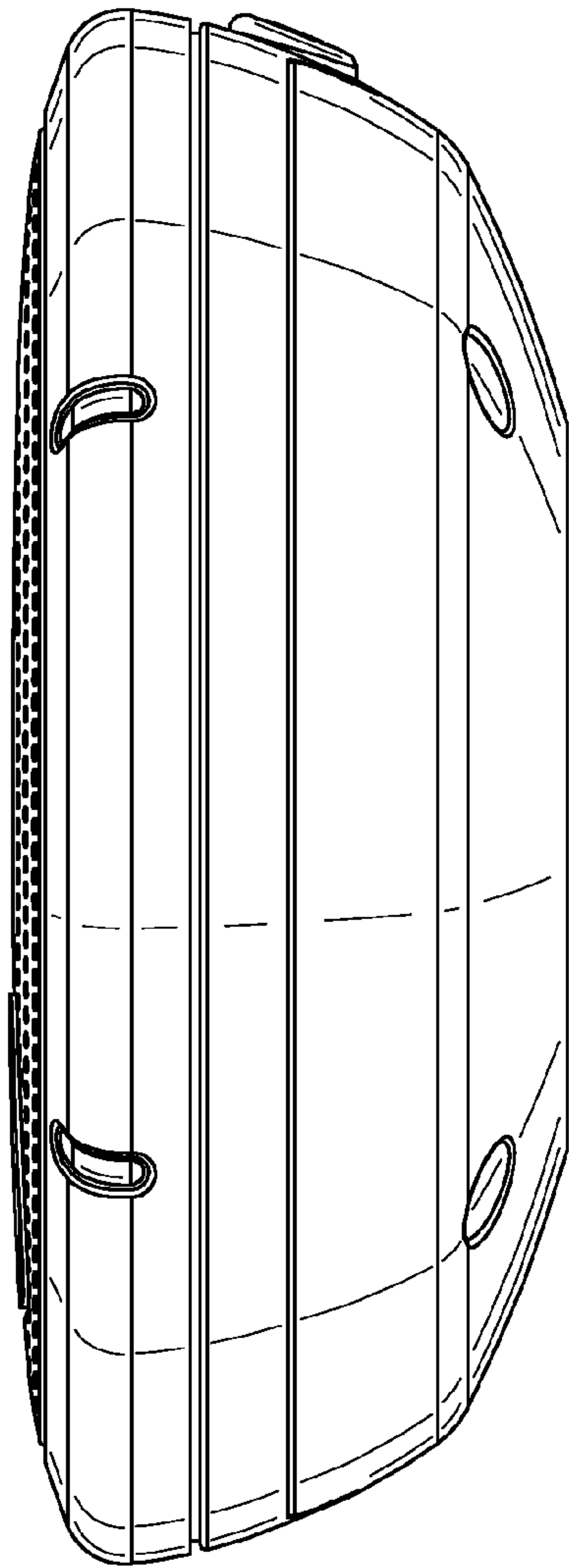


FIG. 3

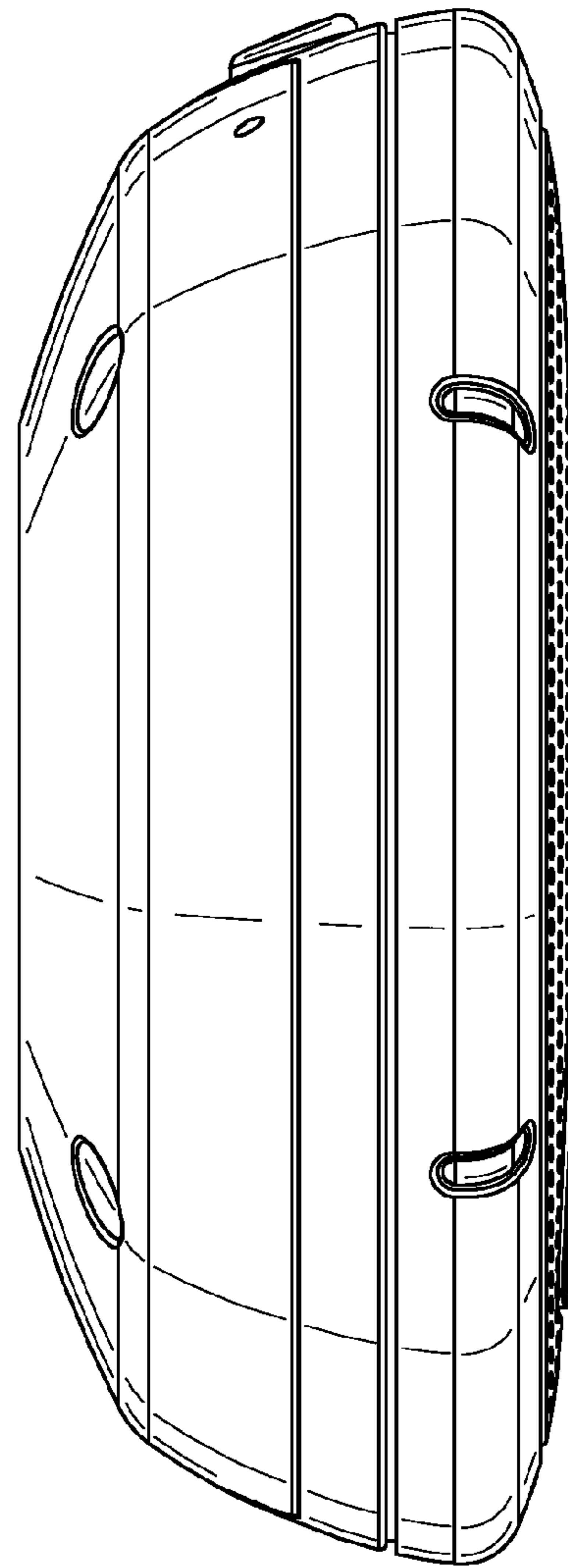


FIG. 4

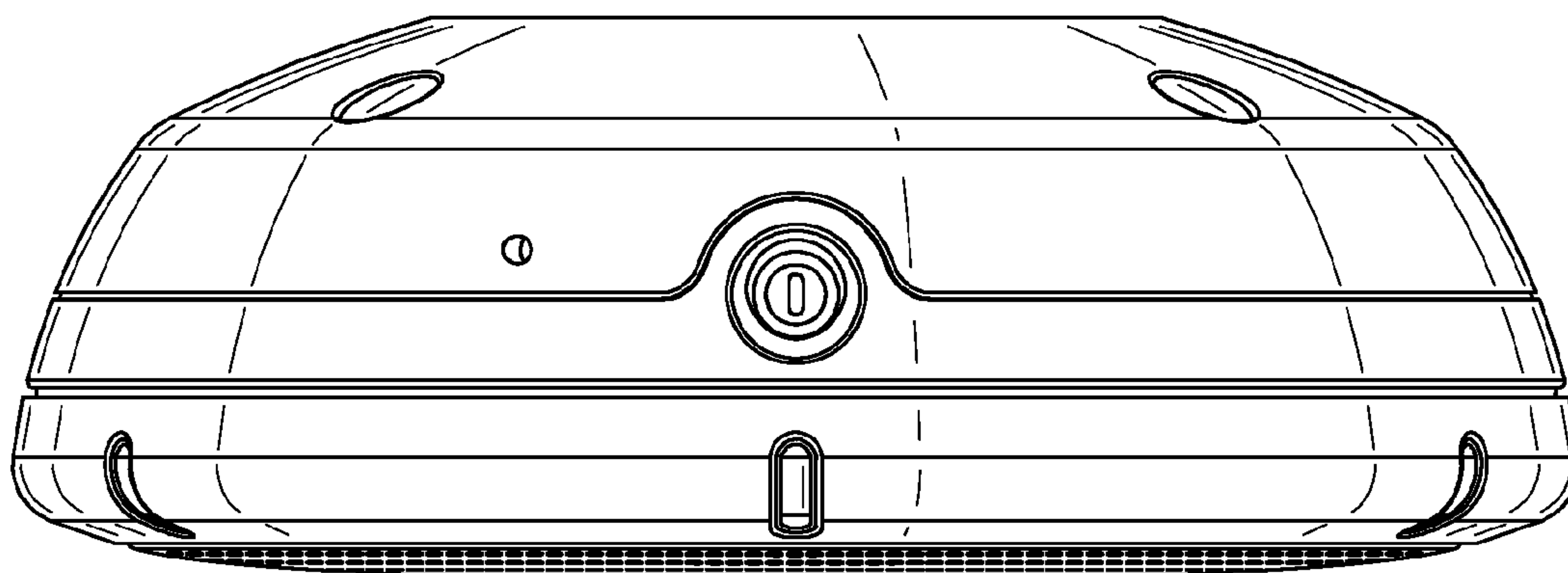


FIG. 5

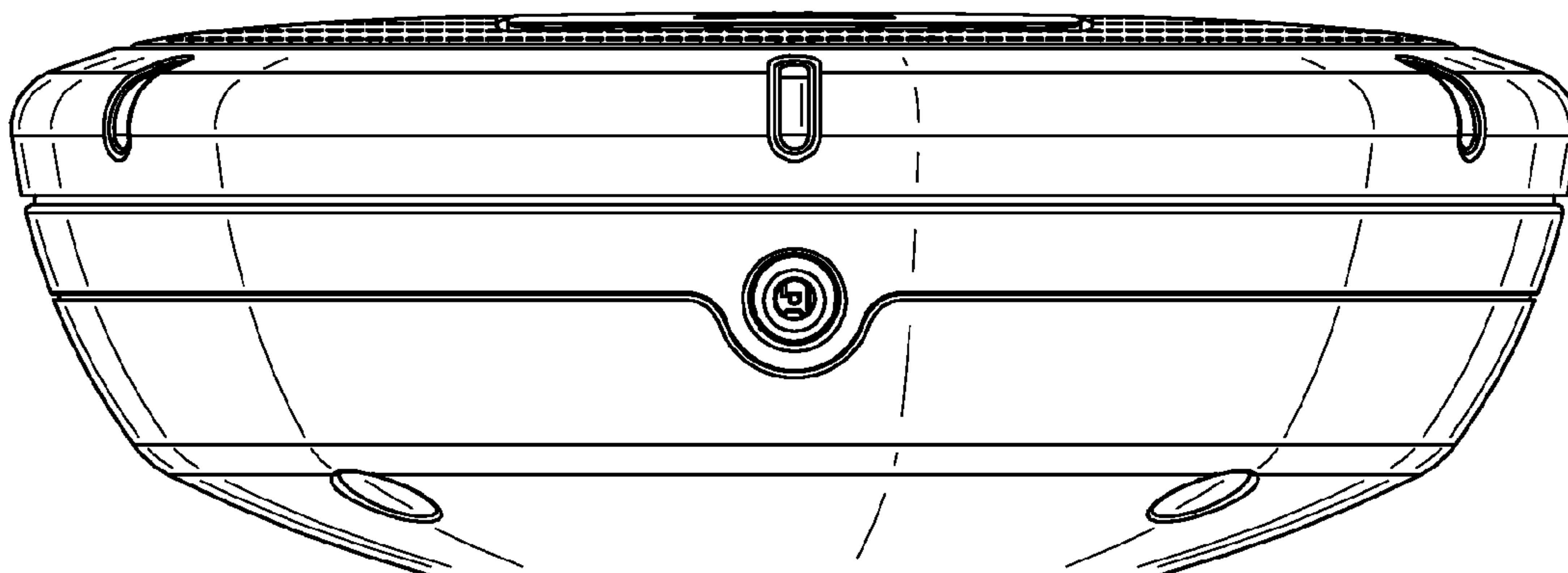


FIG. 6

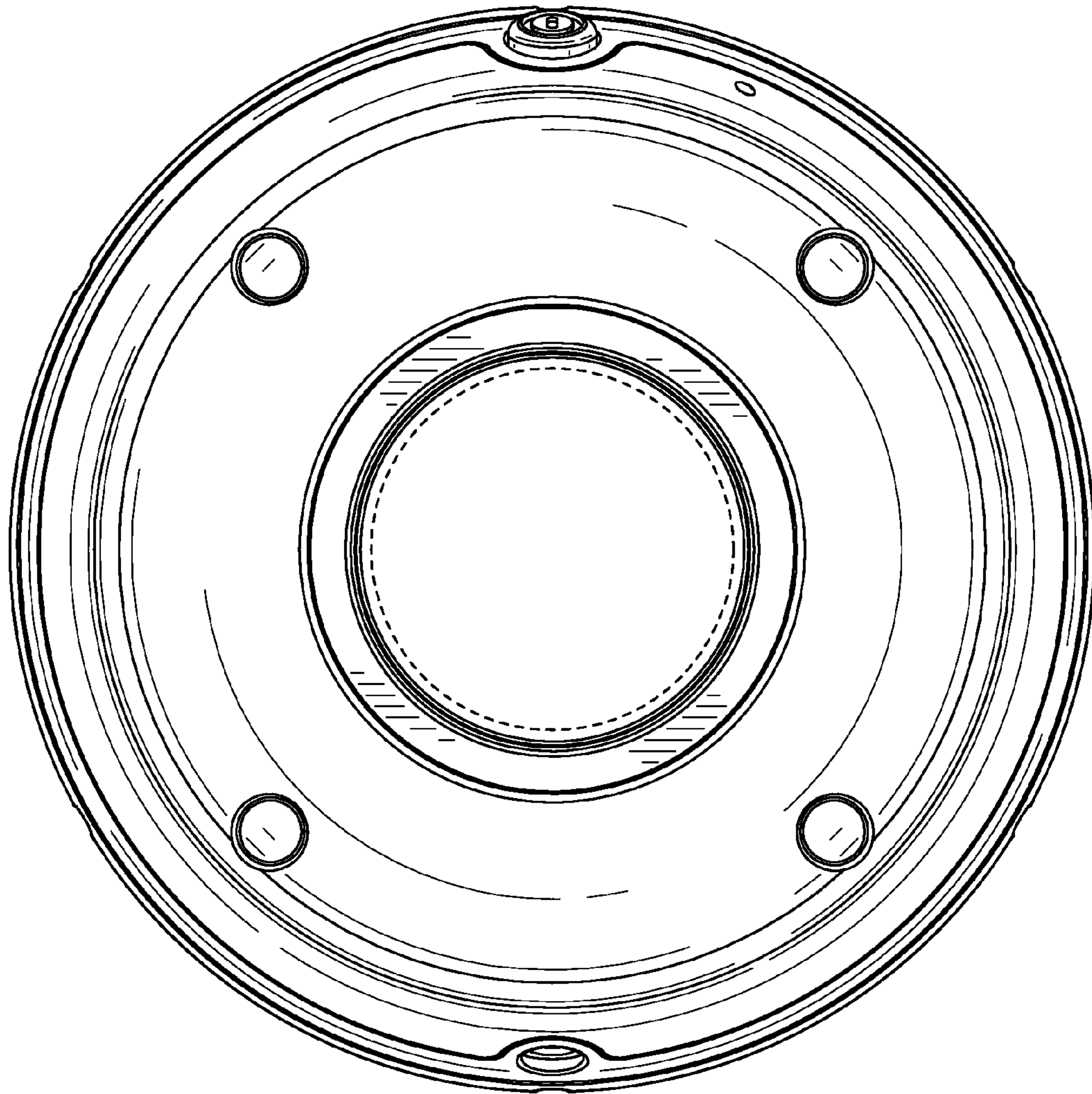


FIG. 7

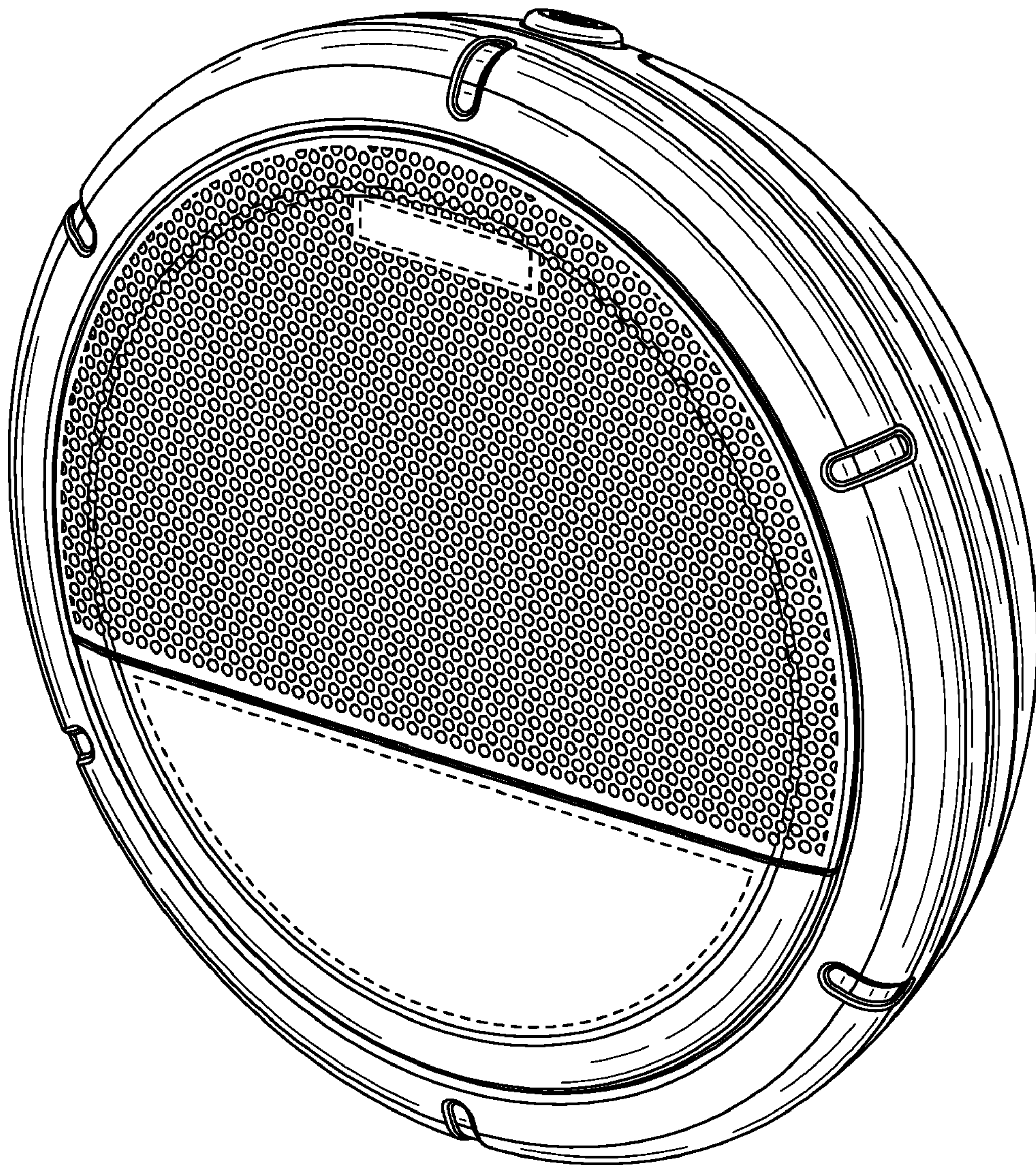


FIG. 8

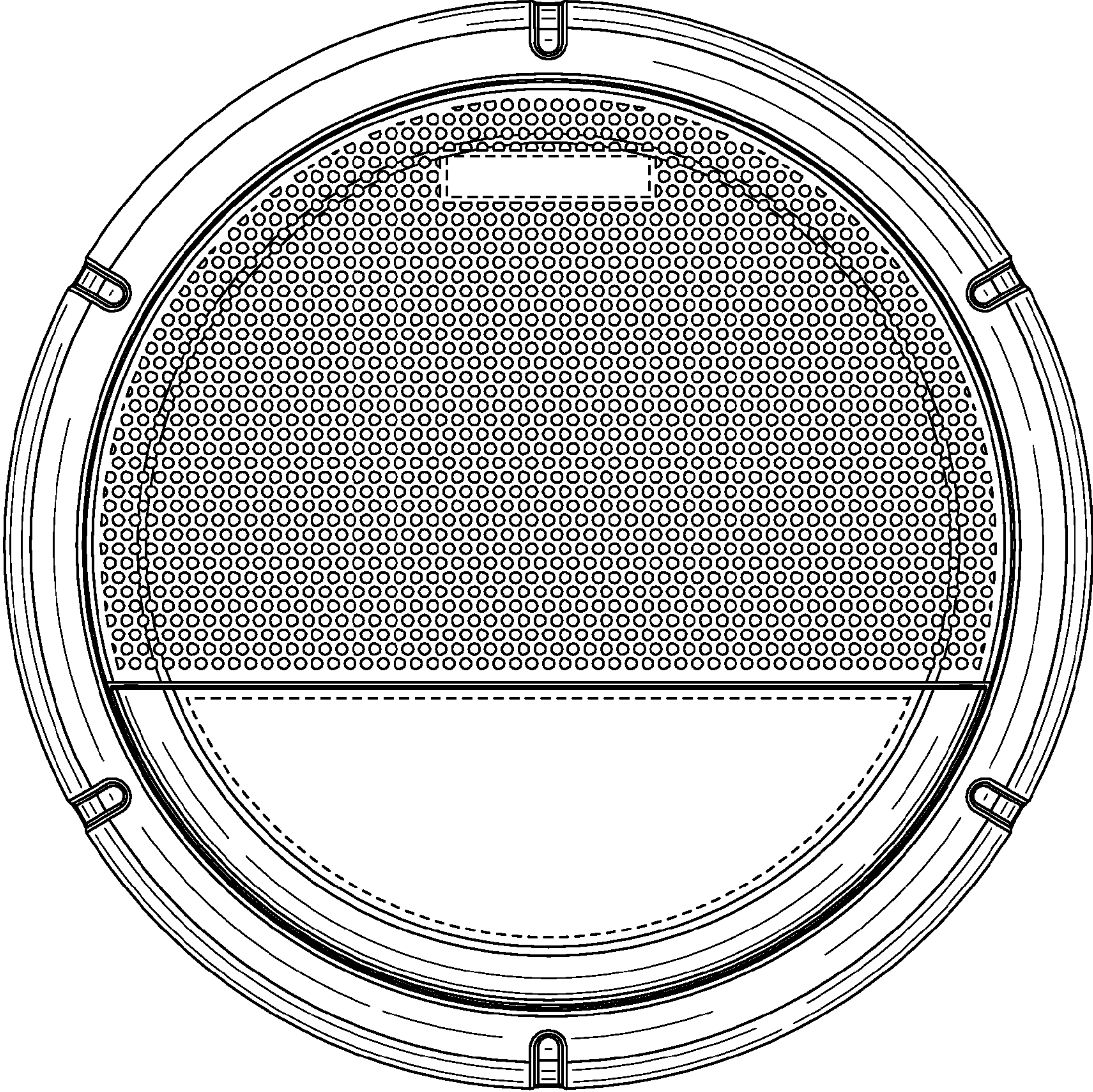


FIG. 9

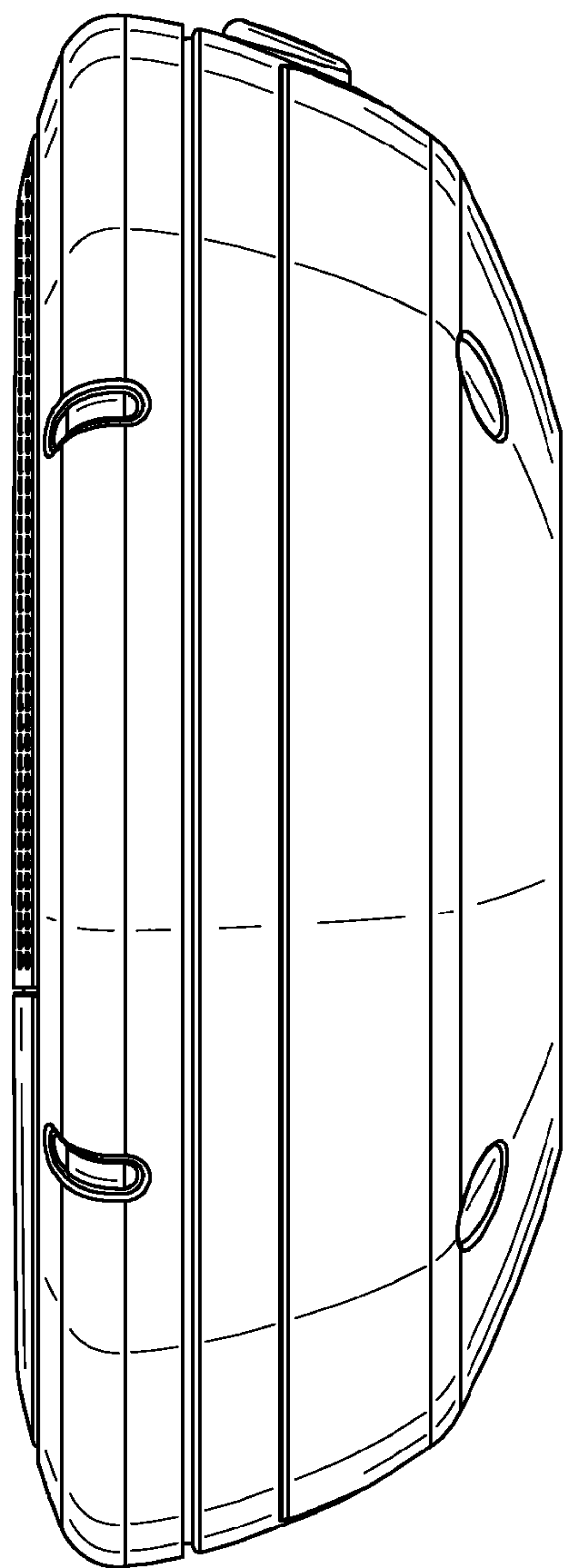


FIG. 10

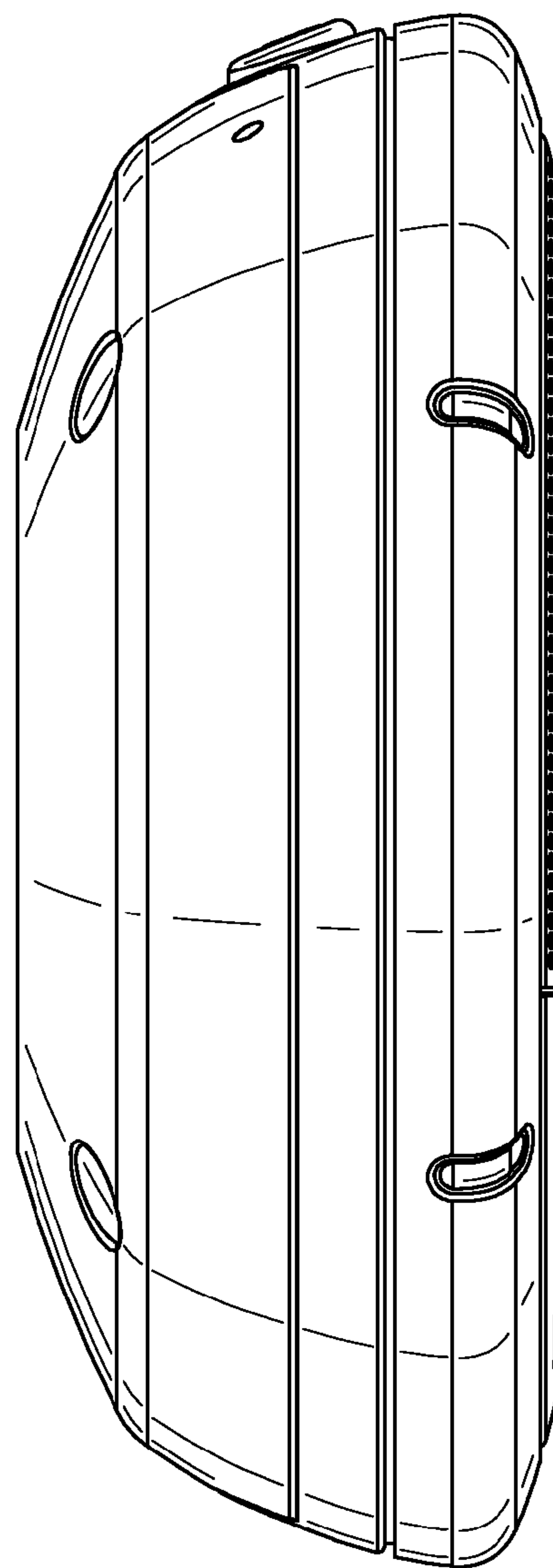


FIG. 11

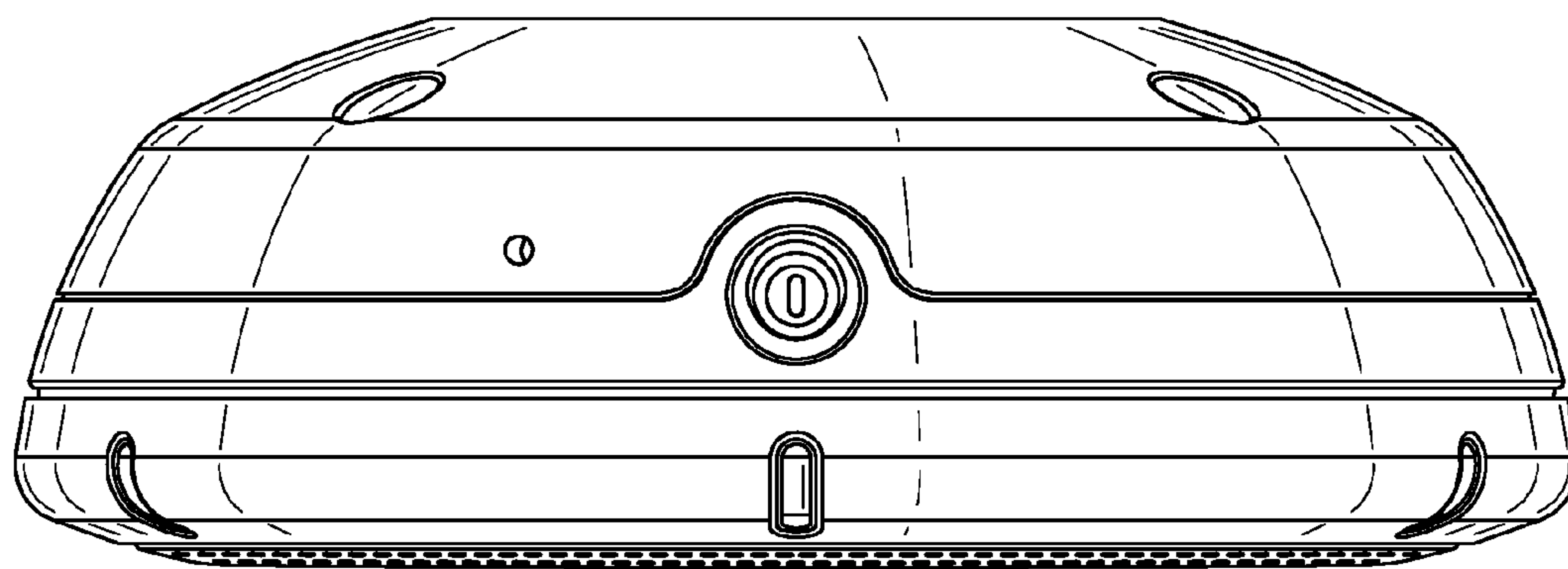


FIG. 12

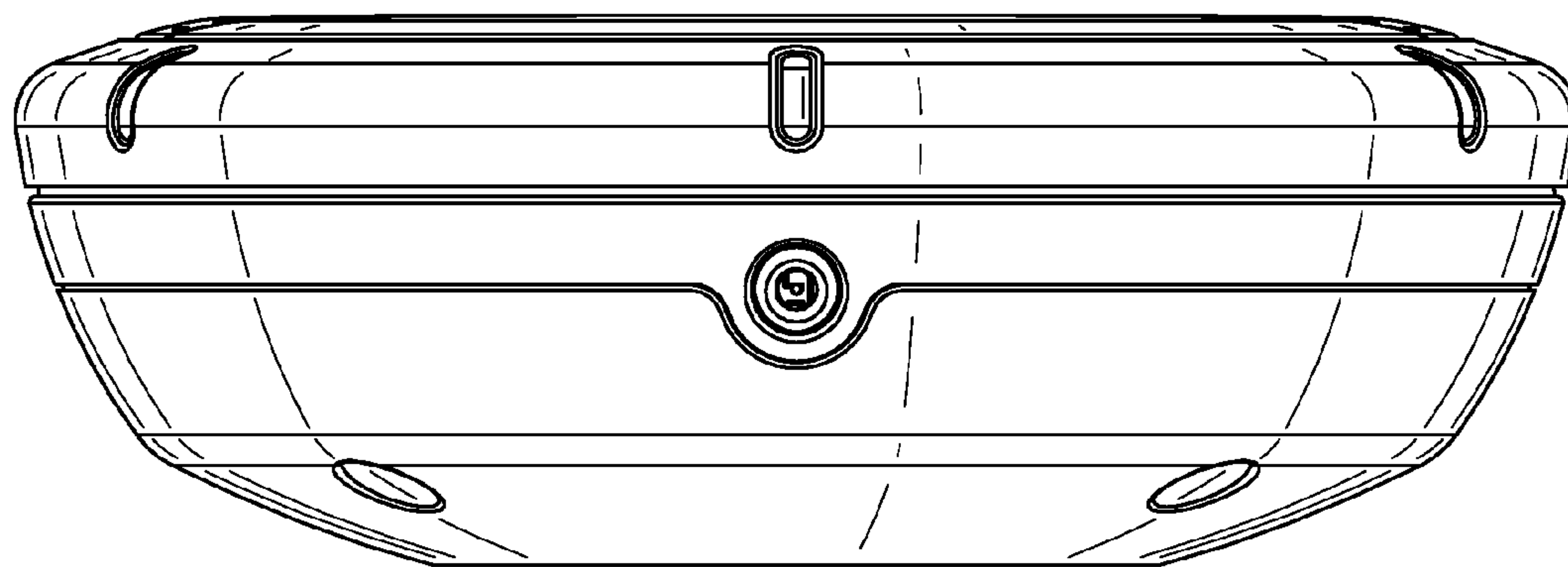


FIG. 13

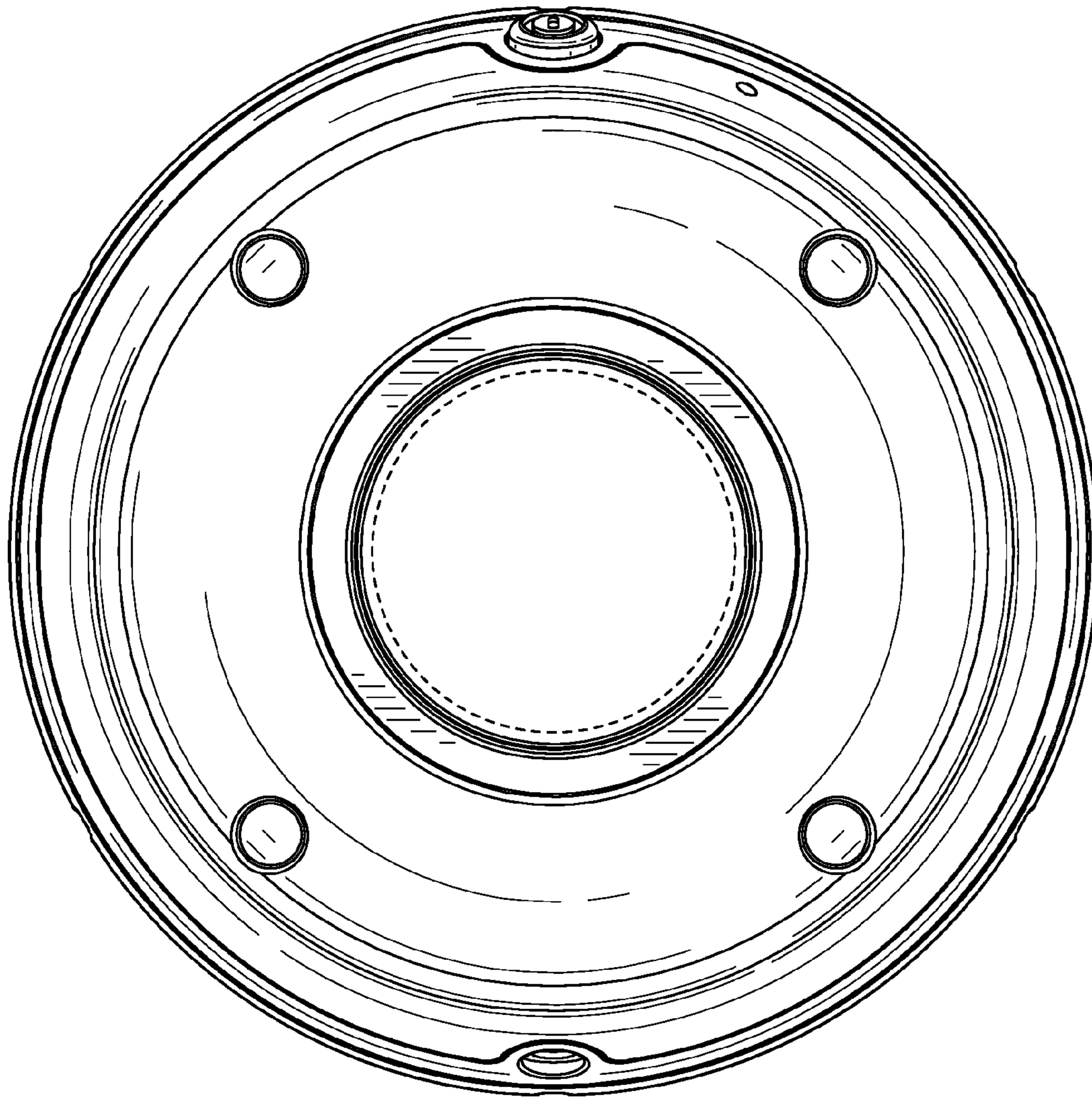


FIG. 14

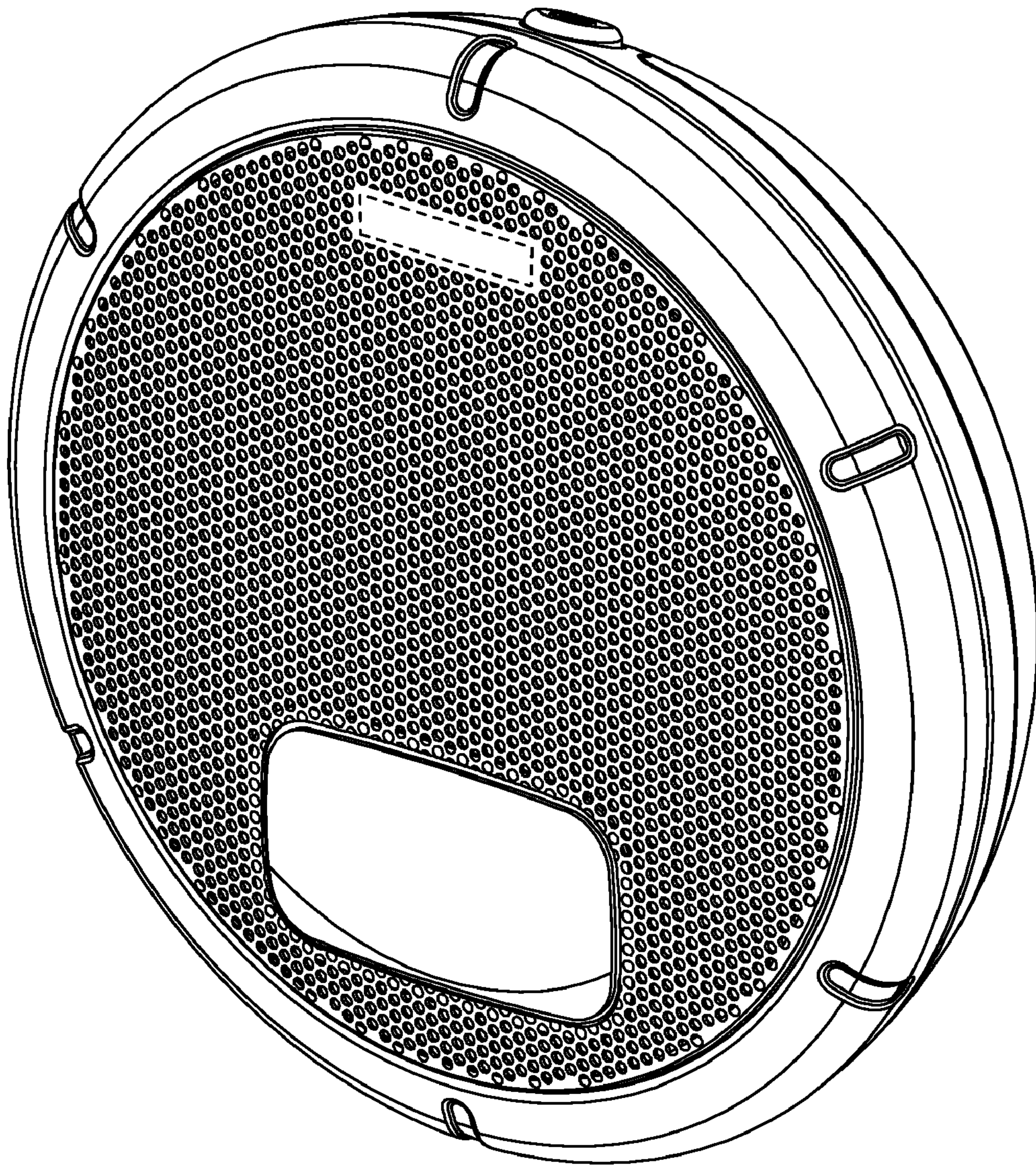


FIG. 15

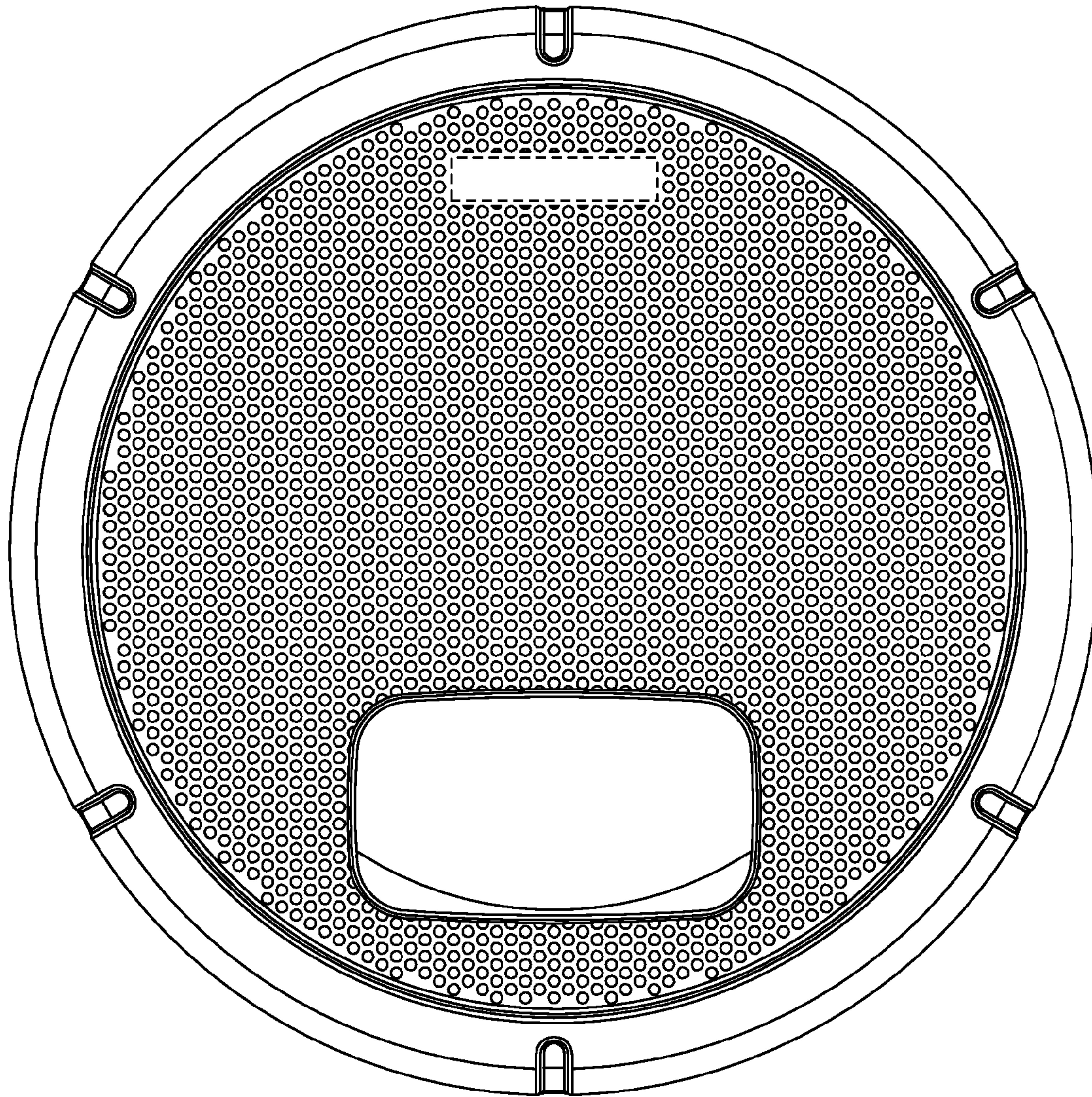


FIG. 16

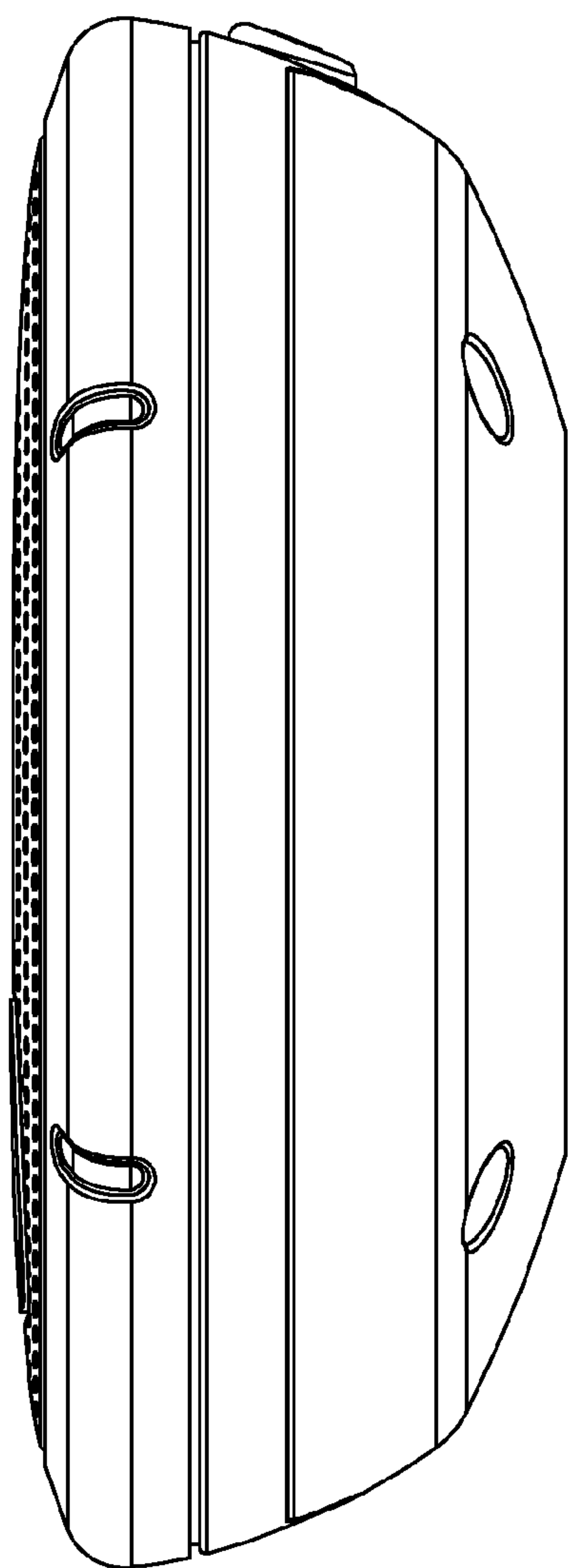


FIG. 17

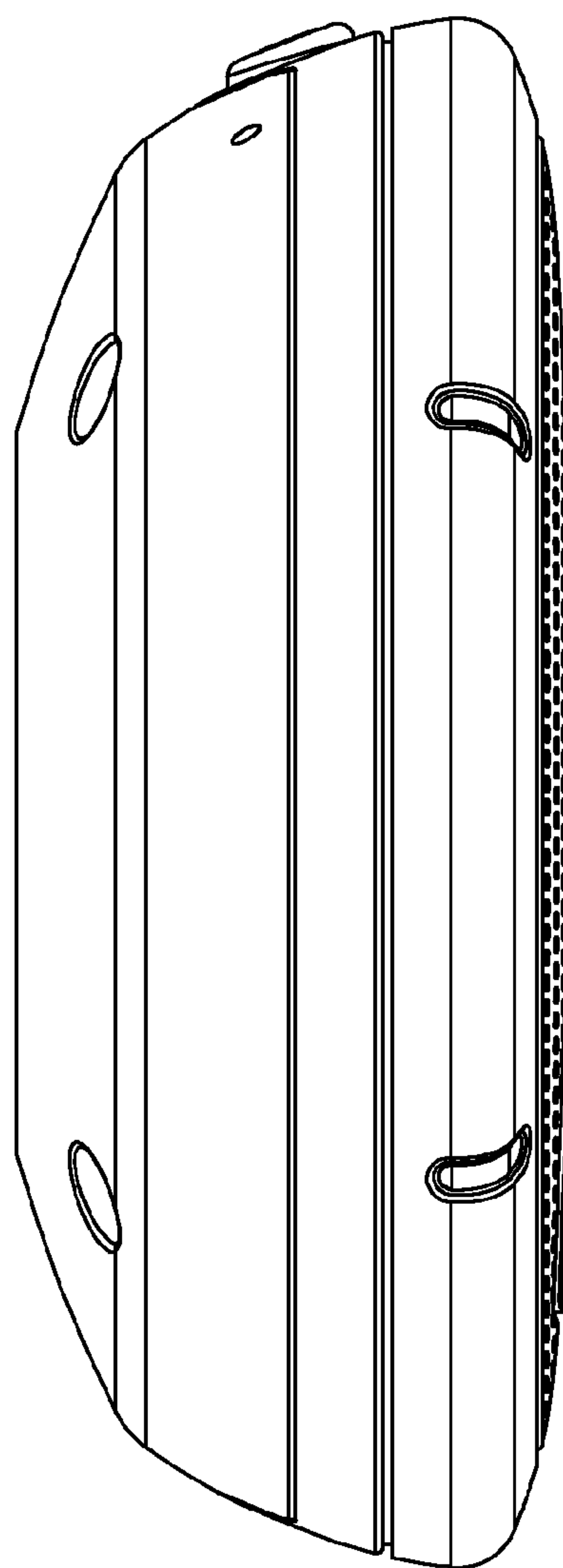


FIG. 18

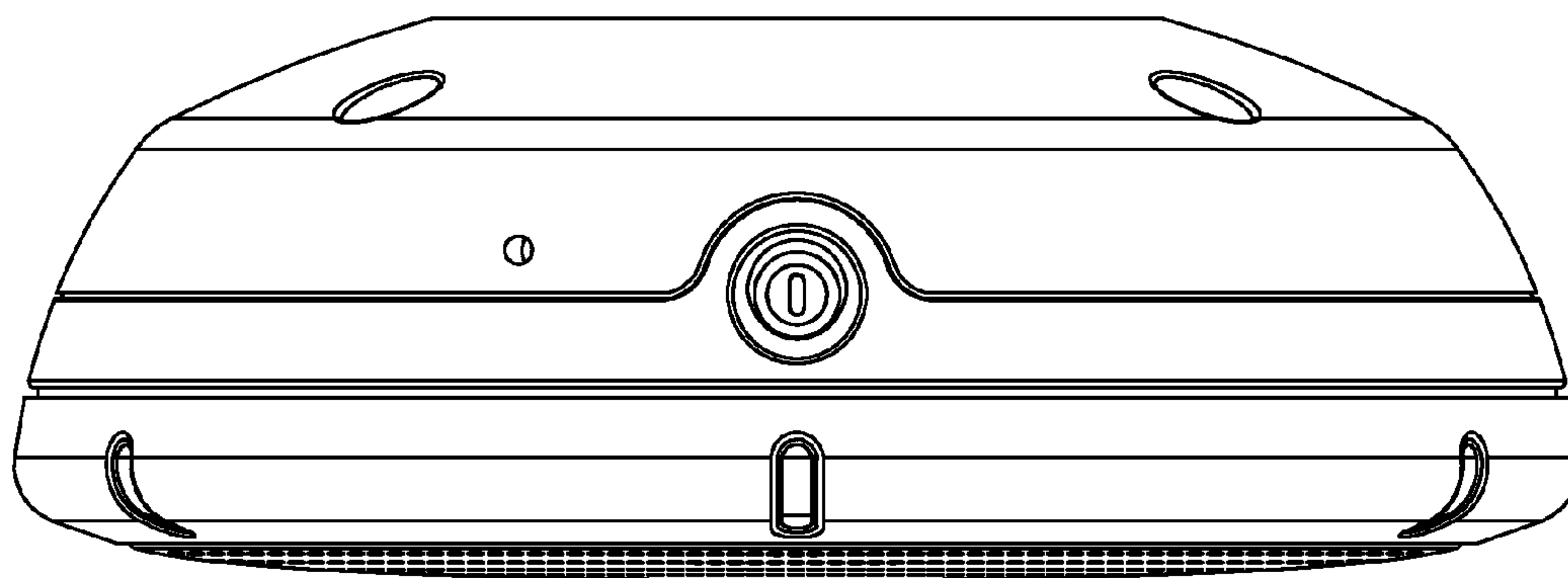


FIG. 19

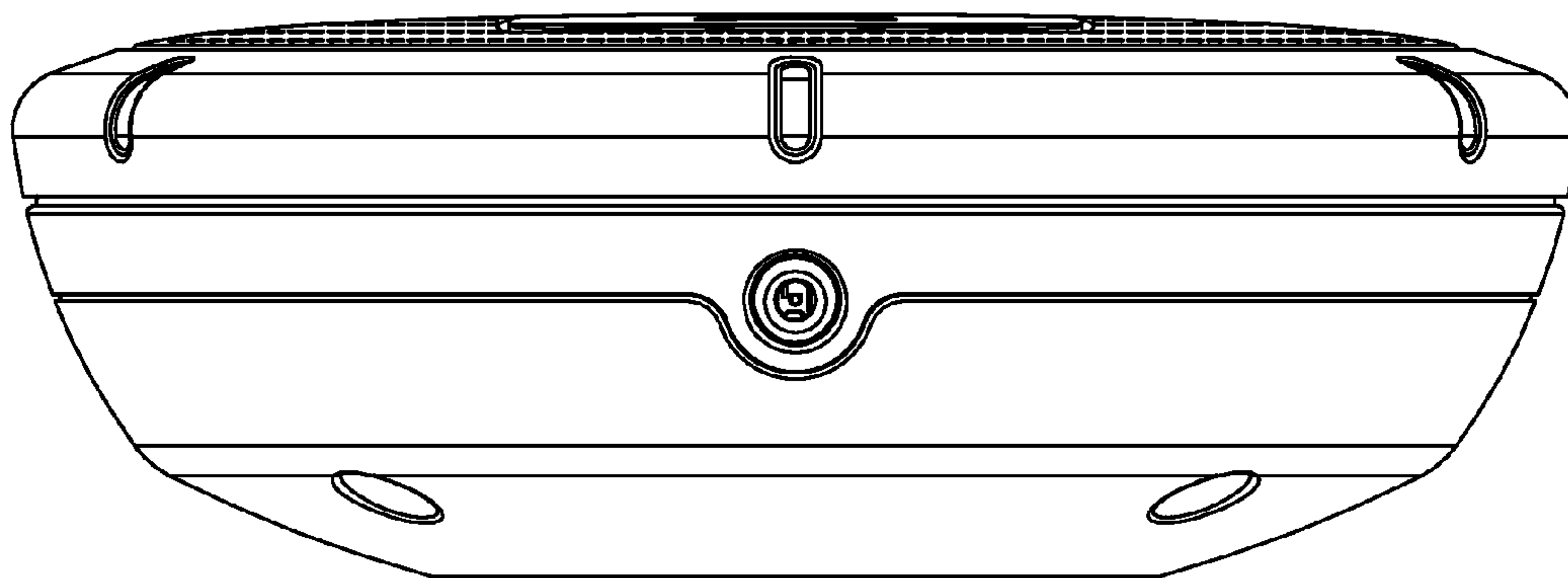


FIG. 20

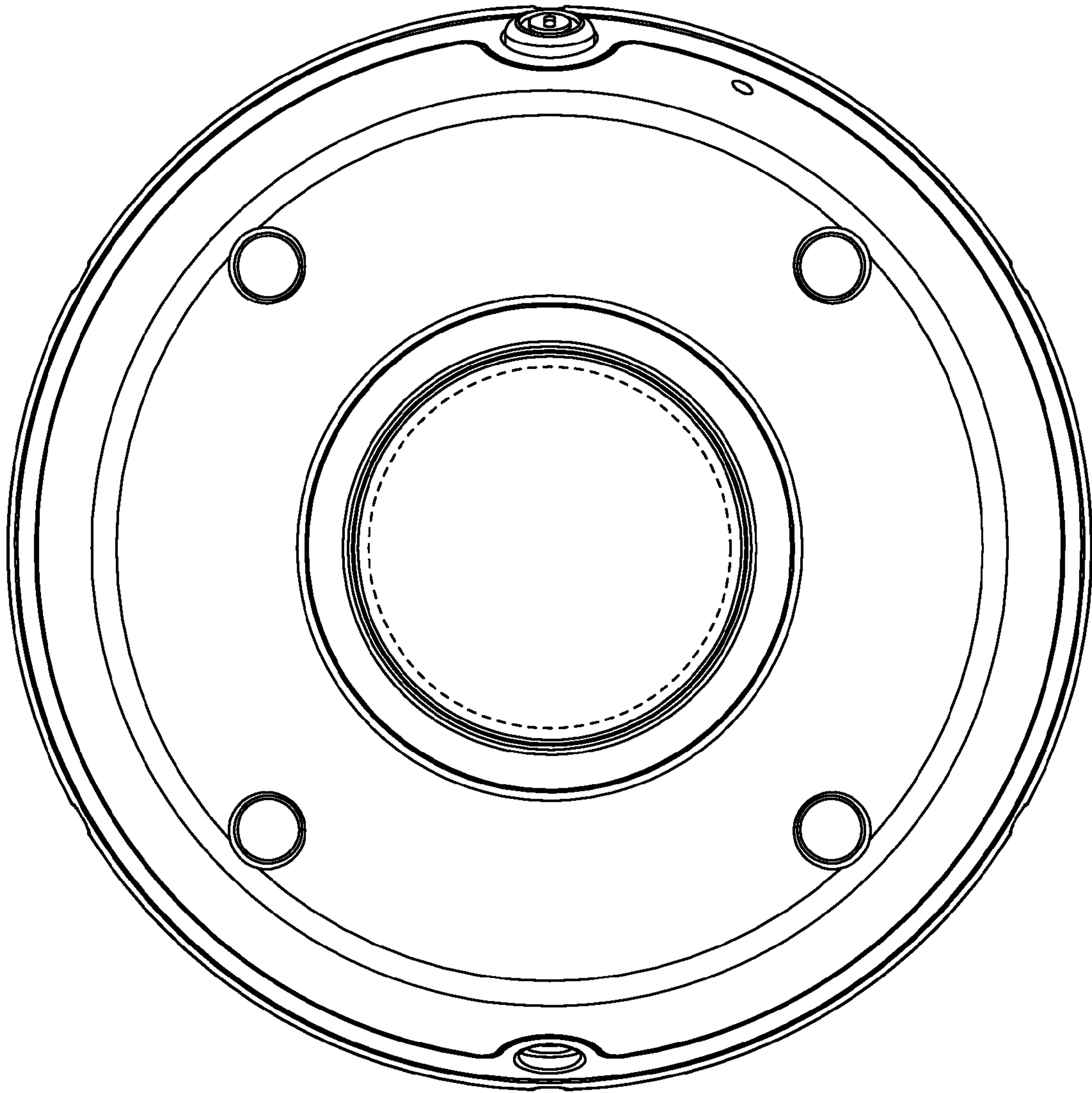


FIG. 21

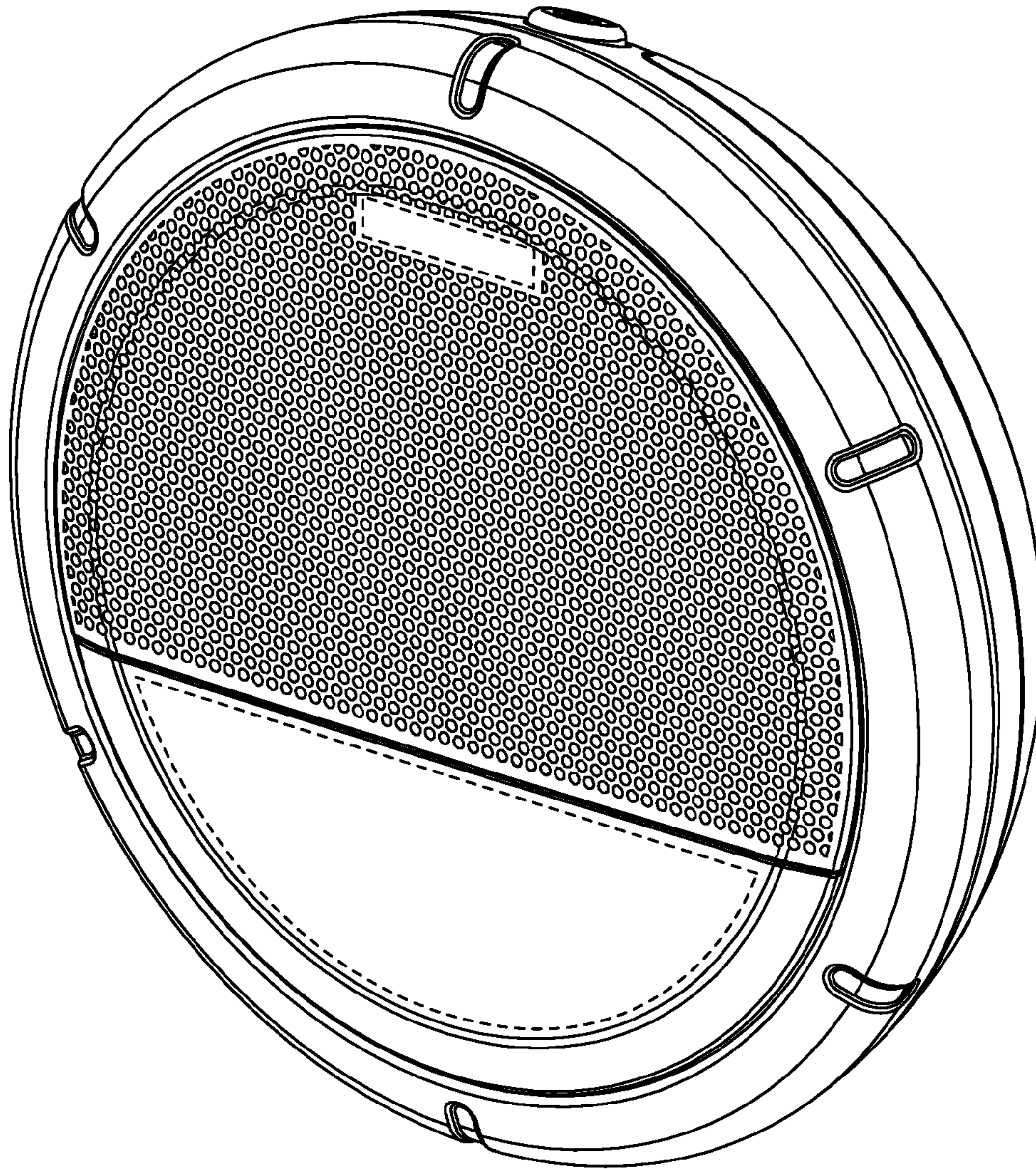


FIG. 22

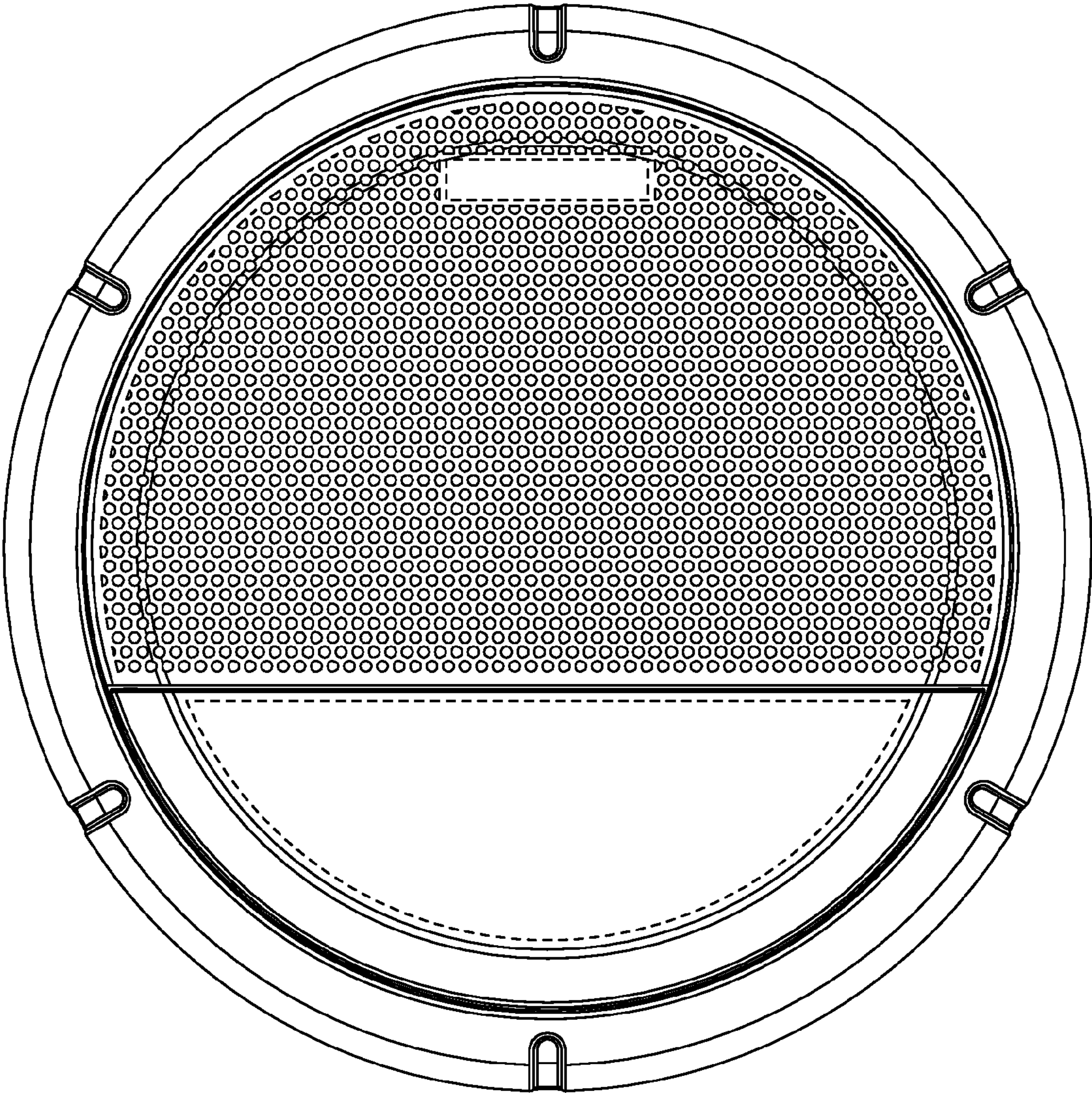


FIG. 23

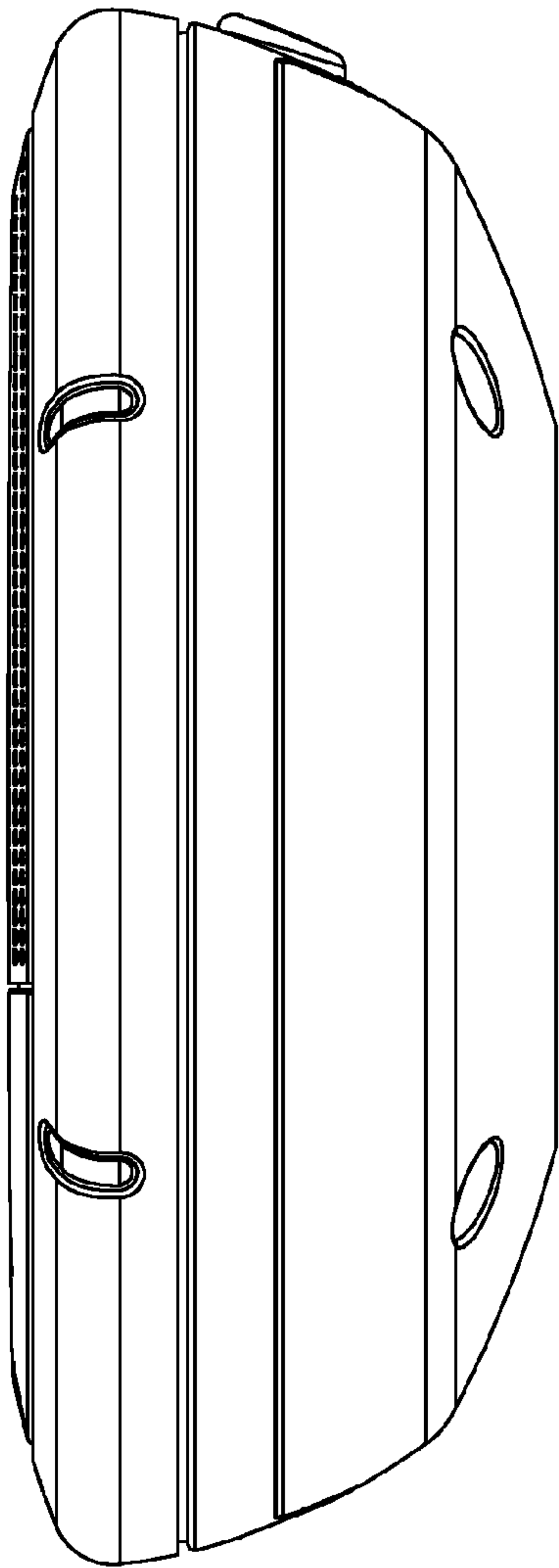


FIG. 24

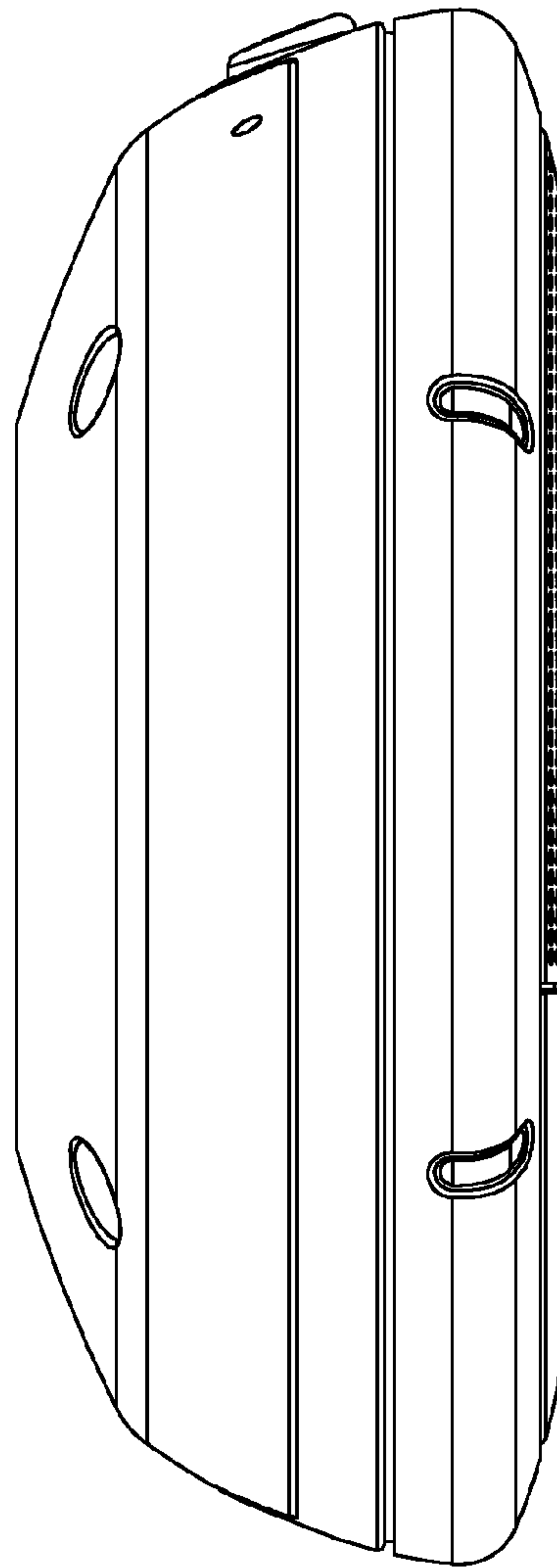


FIG. 25

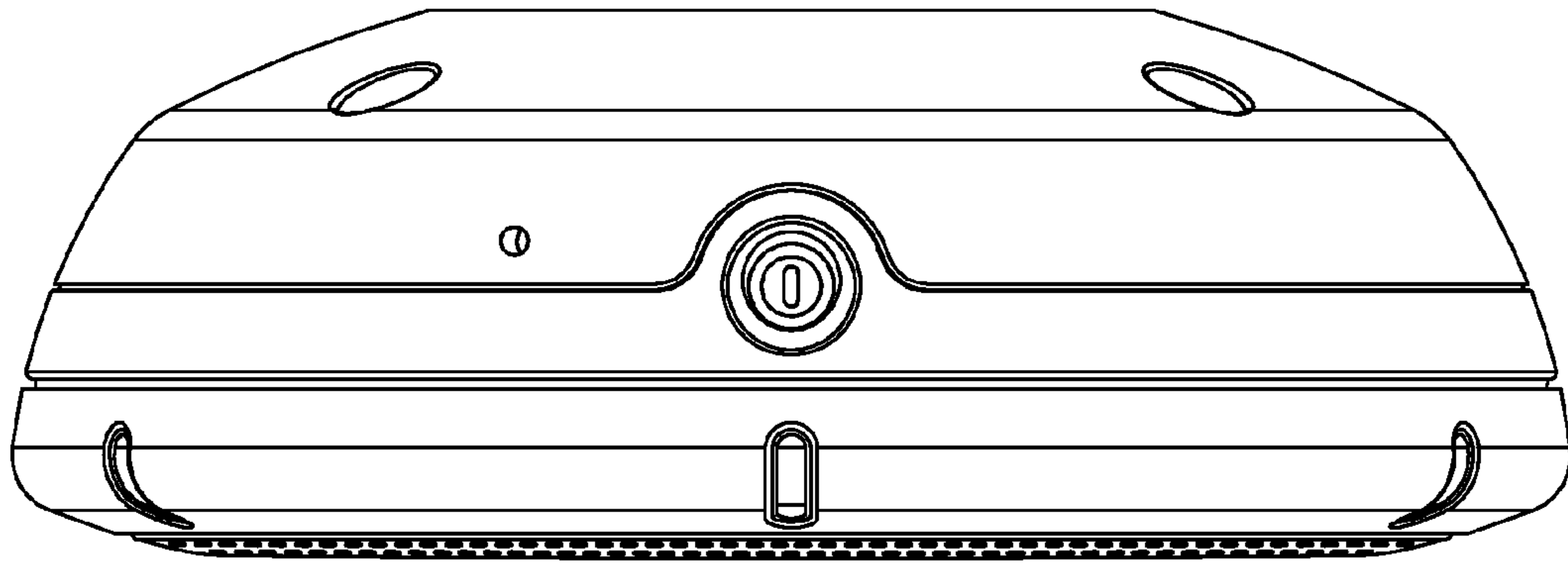


FIG. 26

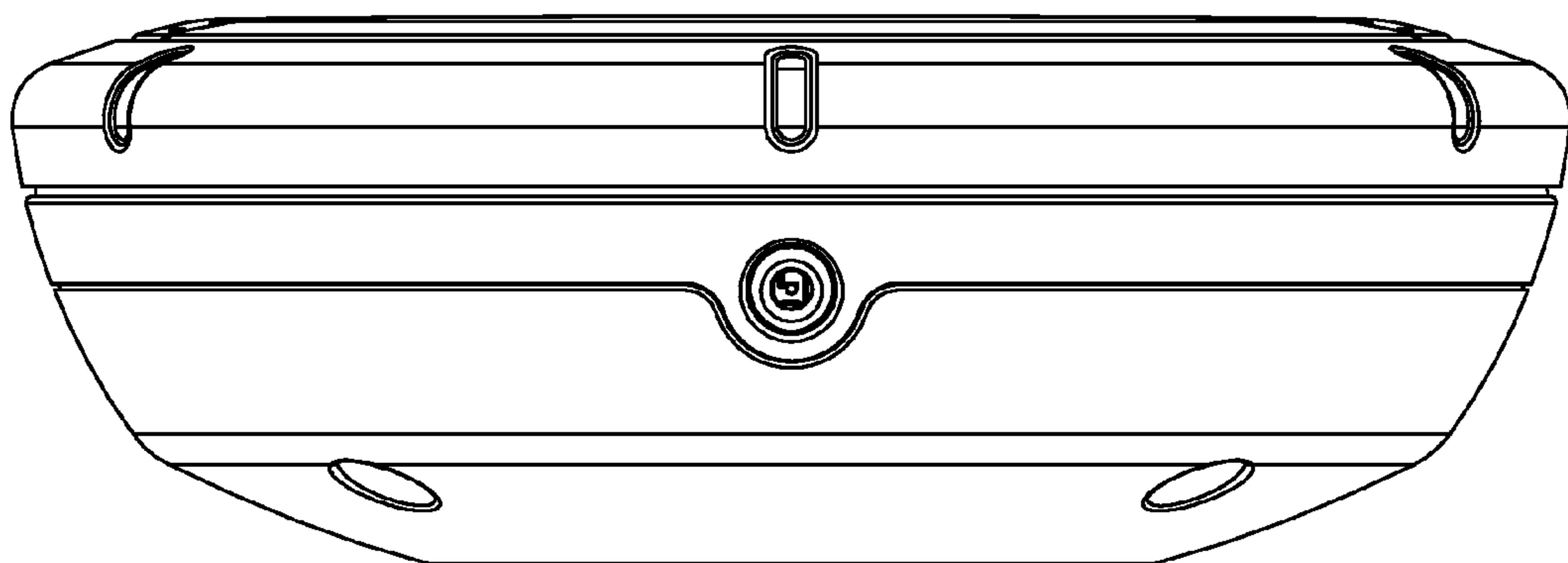


FIG. 27

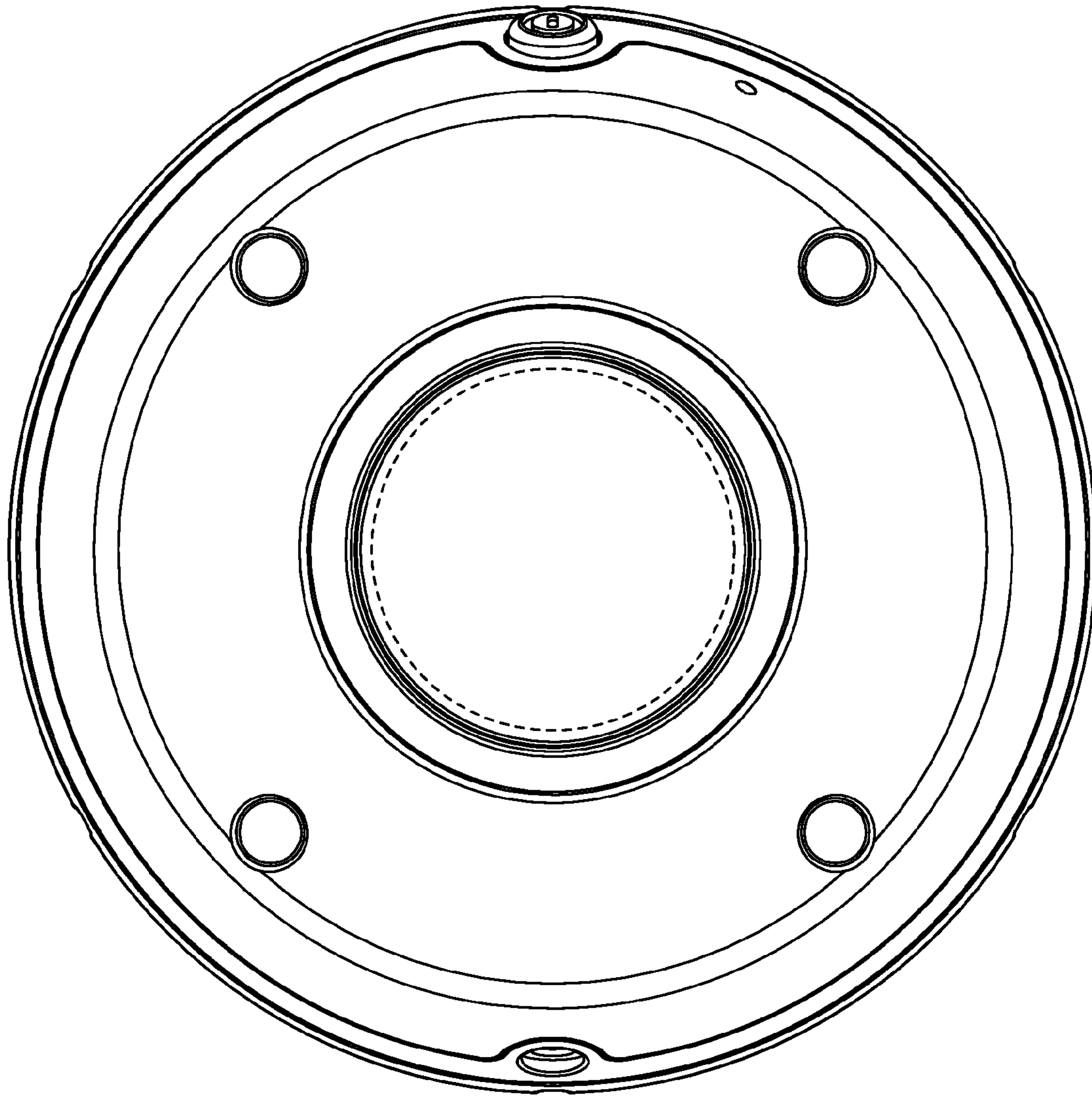


FIG. 28