



US00D606515S

(12) **United States Design Patent**  
**Ludlum et al.**

(10) **Patent No.:** **US D606,515 S**  
(45) **Date of Patent:** **\*\* Dec. 22, 2009**

(54) **JEWELBOX SHAPED SPEAKER DOCK**

(75) Inventors: **Wayne Ludlum**, Studio City, CA (US);  
**Soyun Kim**, Thousand Oaks, CA (US);  
**Christopher Glupker**, Thousand Oaks,  
CA (US); **Ravi Sawhney**, Thousand  
Oaks, CA (US); **Lance Hussey**,  
Thousand Oaks, CA (US); **Toshihiro**  
**Aya**, Thousand Oaks, CA (US)

(73) Assignee: **Vestalife**, Studio City, CA (US)

(\*\*) Term: **14 Years**

(21) Appl. No.: **29/332,970**

(22) Filed: **Feb. 27, 2009**

(51) **LOC (9) Cl.** ..... **14-01**

(52) **U.S. Cl.** ..... **D14/209.1; D14/207; D14/216**

(58) **Field of Classification Search** ..... **D14/204,**  
**D14/207, 209.1, 210–216, 172, 217; 181/143–144,**  
**181/147–148, 150–153, 157, 198–199; 381/300–303,**  
**381/306, 332–333, 336, 345, 361–364, 386–388;**  
**D3/286, 288**

See application file for complete search history.

(56) **References Cited**

**U.S. PATENT DOCUMENTS**

D343,515 S \* 1/1994 Monneret ..... D3/288

D514,548 S *	2/2006	Chan	.....	D14/216
D528,102 S *	9/2006	Lye	.....	D14/211
D541,260 S *	4/2007	Christianson	.....	D14/215
D554,108 S *	10/2007	Solland	.....	D14/217
D557,258 S *	12/2007	Steindl	.....	D14/216
D567,221 S *	4/2008	Liang	.....	D14/207
D567,224 S *	4/2008	Laituri et al.	.....	D14/216

\* cited by examiner

*Primary Examiner*—Nanda Bondade

(74) *Attorney, Agent, or Firm*—Merchant & Gould P.C.

(57) **CLAIM**

The ornamental design for a jewelbox shaped speaker dock,  
as shown and described.

**DESCRIPTION**

FIG. 1 is a top, front perspective view of a jewelbox shaped  
speaker dock showing our new design;

FIG. 2 is a front elevational view thereof;

FIG. 3 is a rear elevational view thereof;

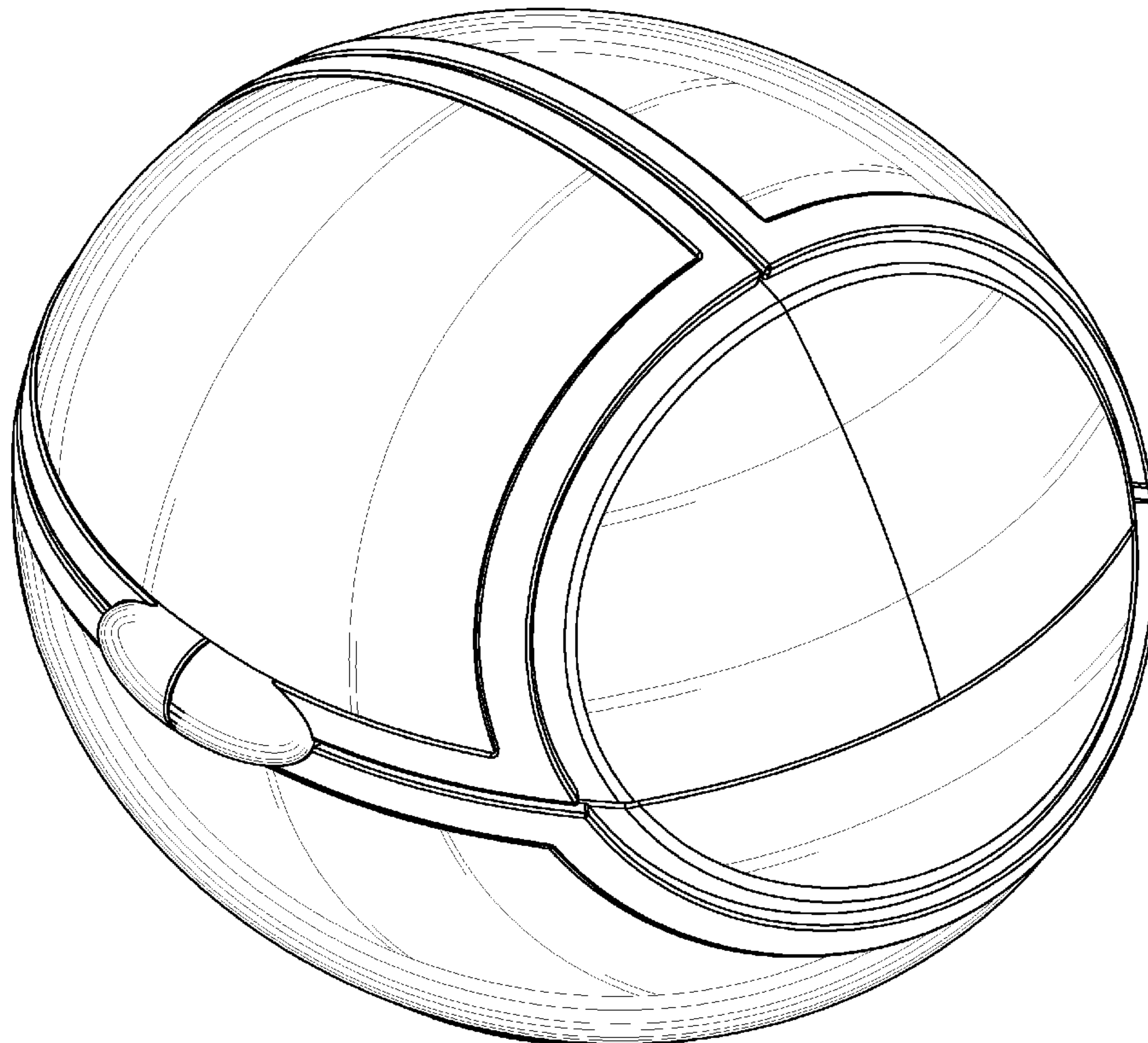
FIG. 4 is a right side elevational view thereof;

FIG. 5 is a left side elevational view thereof;

FIG. 6 is a top plan view thereof; and,

FIG. 7 is a bottom plan view thereof.

**1 Claim, 7 Drawing Sheets**



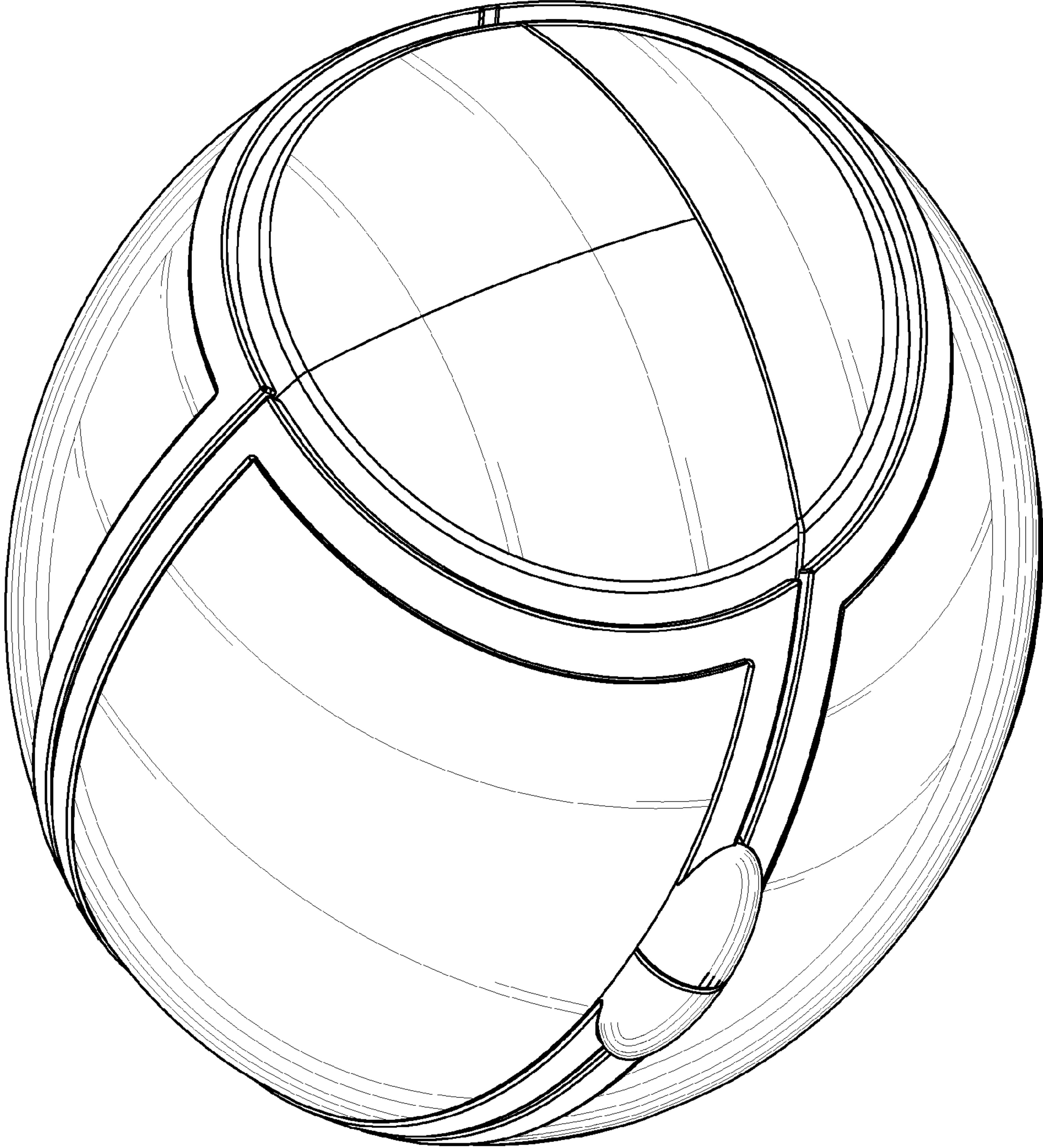


FIG. 1

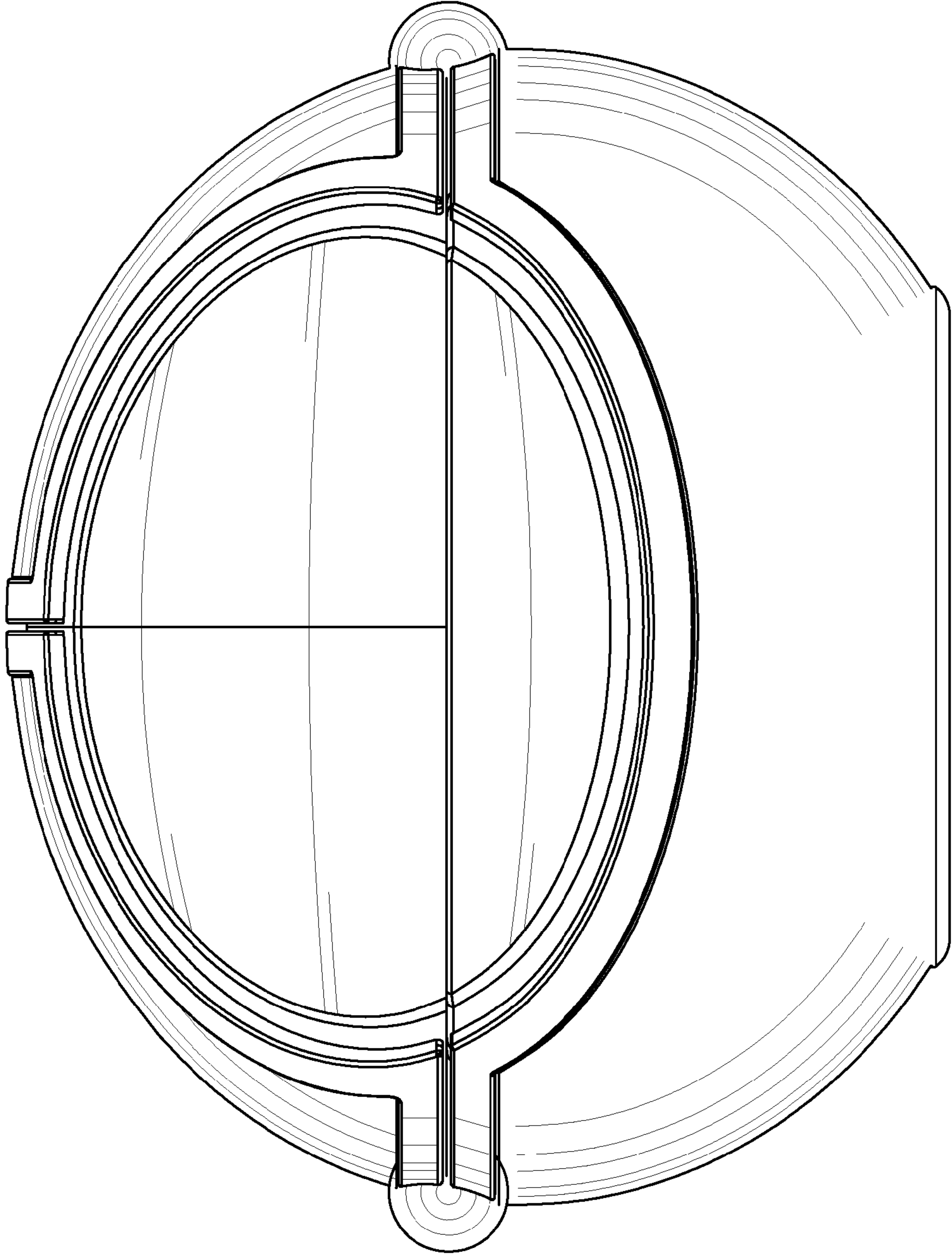


FIG. 2



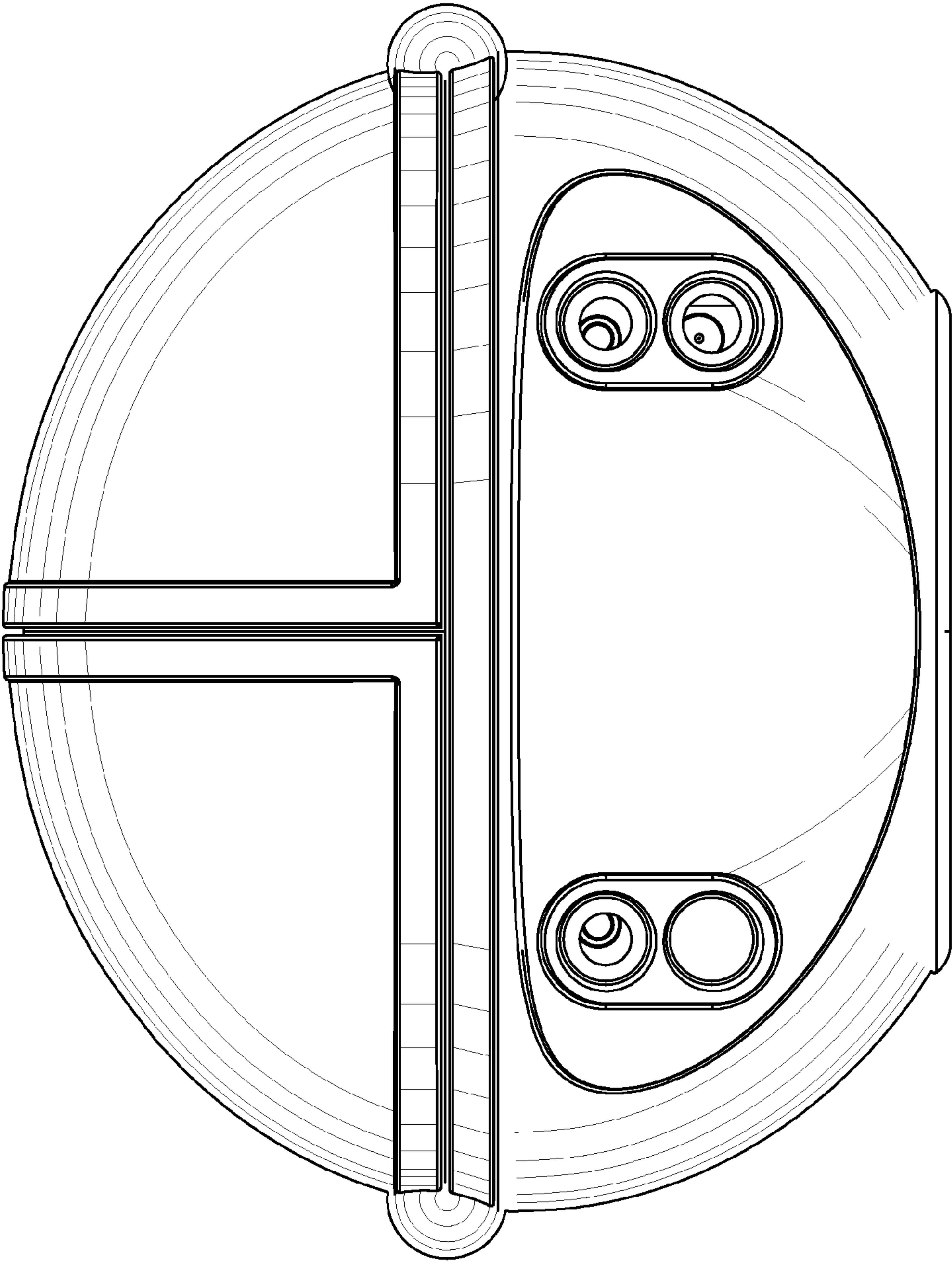


FIG. 3

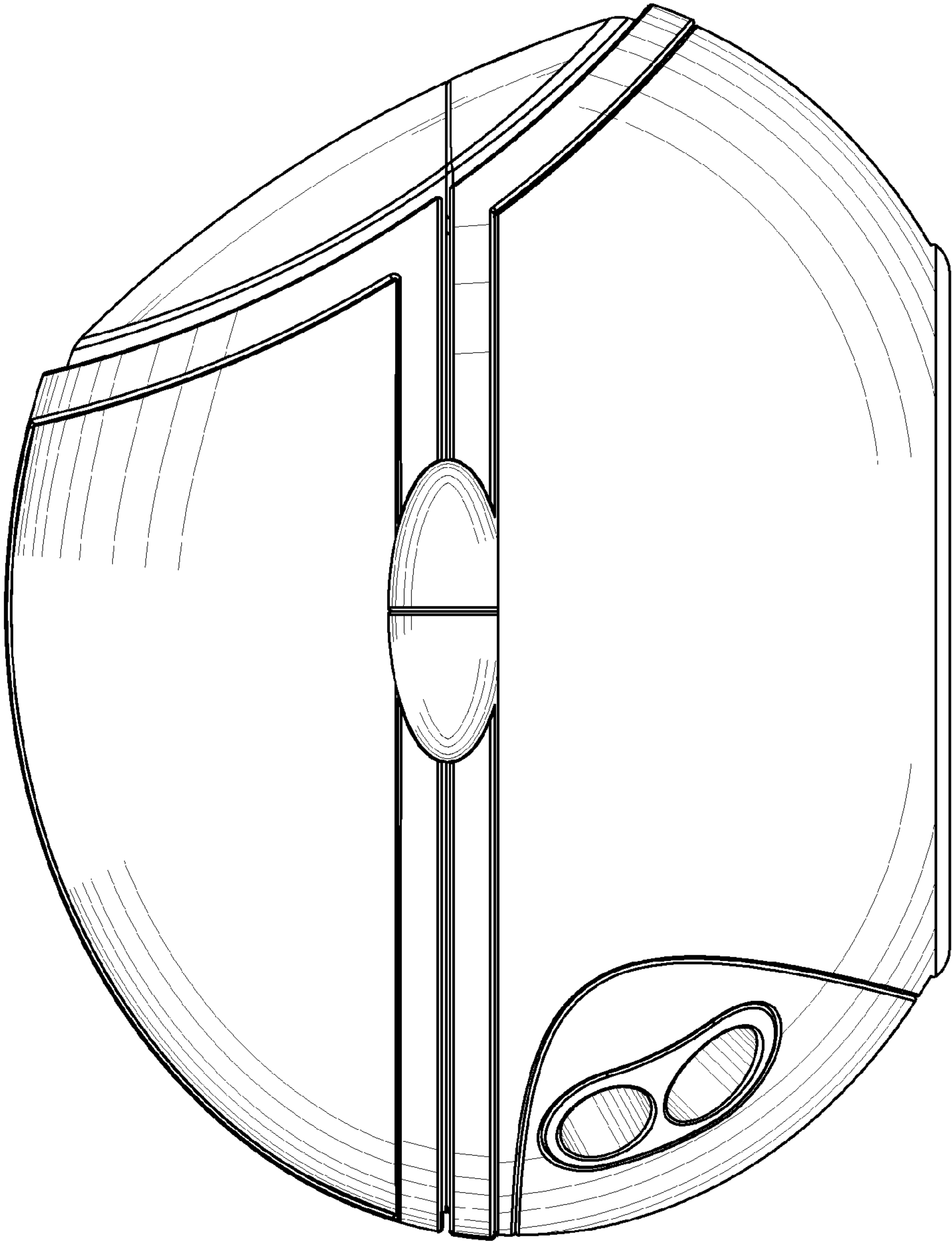


FIG. 4

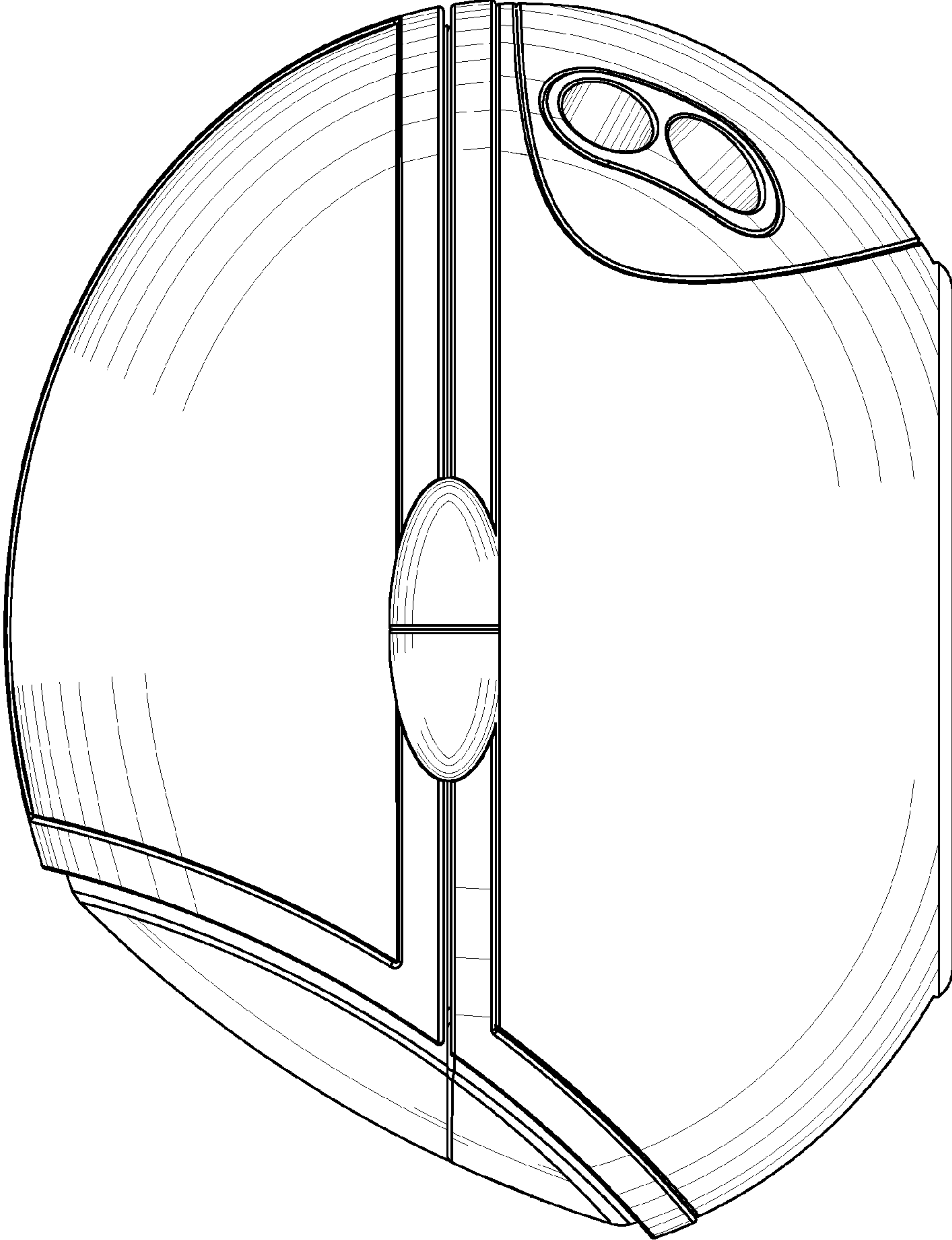


FIG. 5

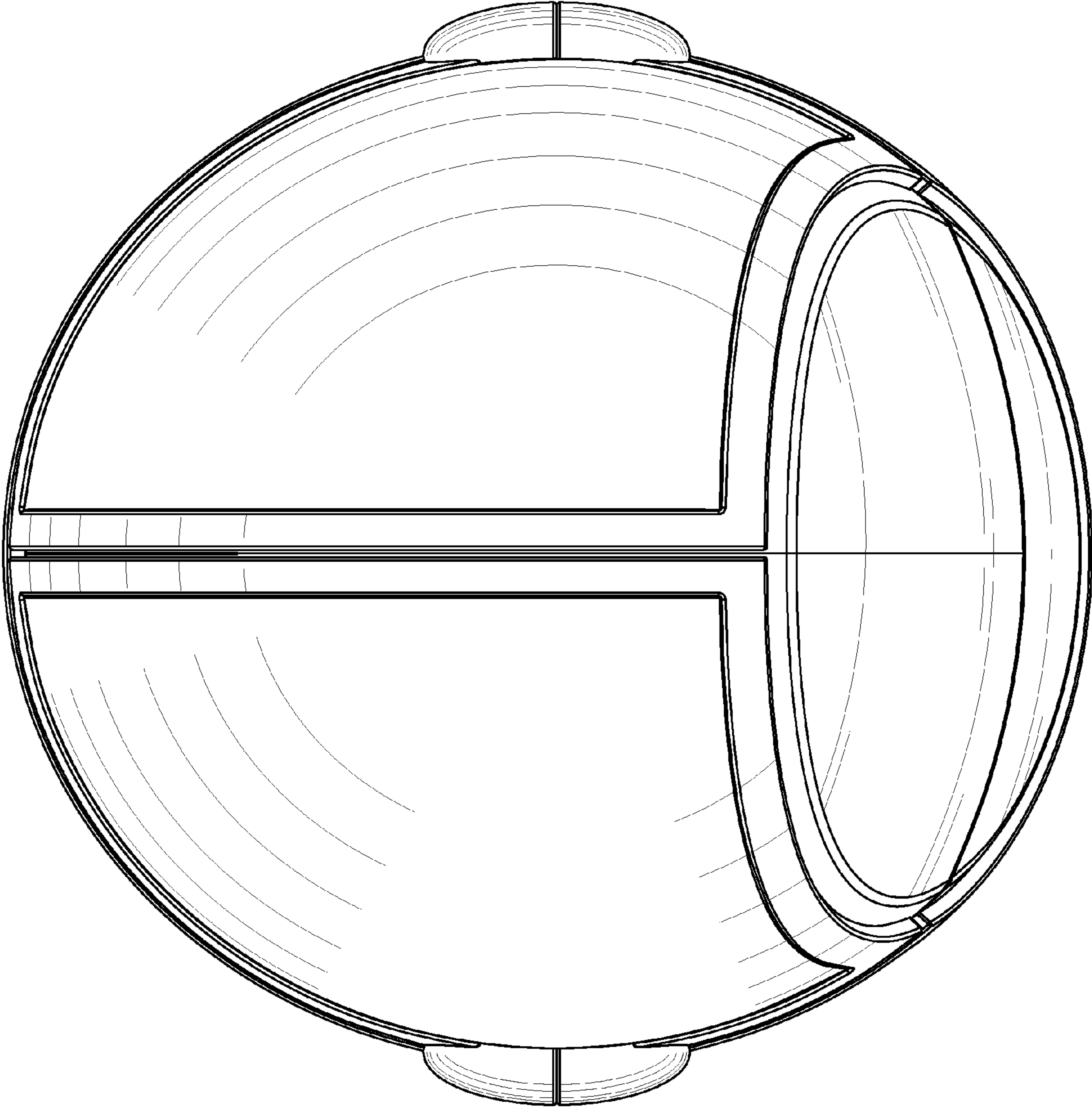


FIG. 6

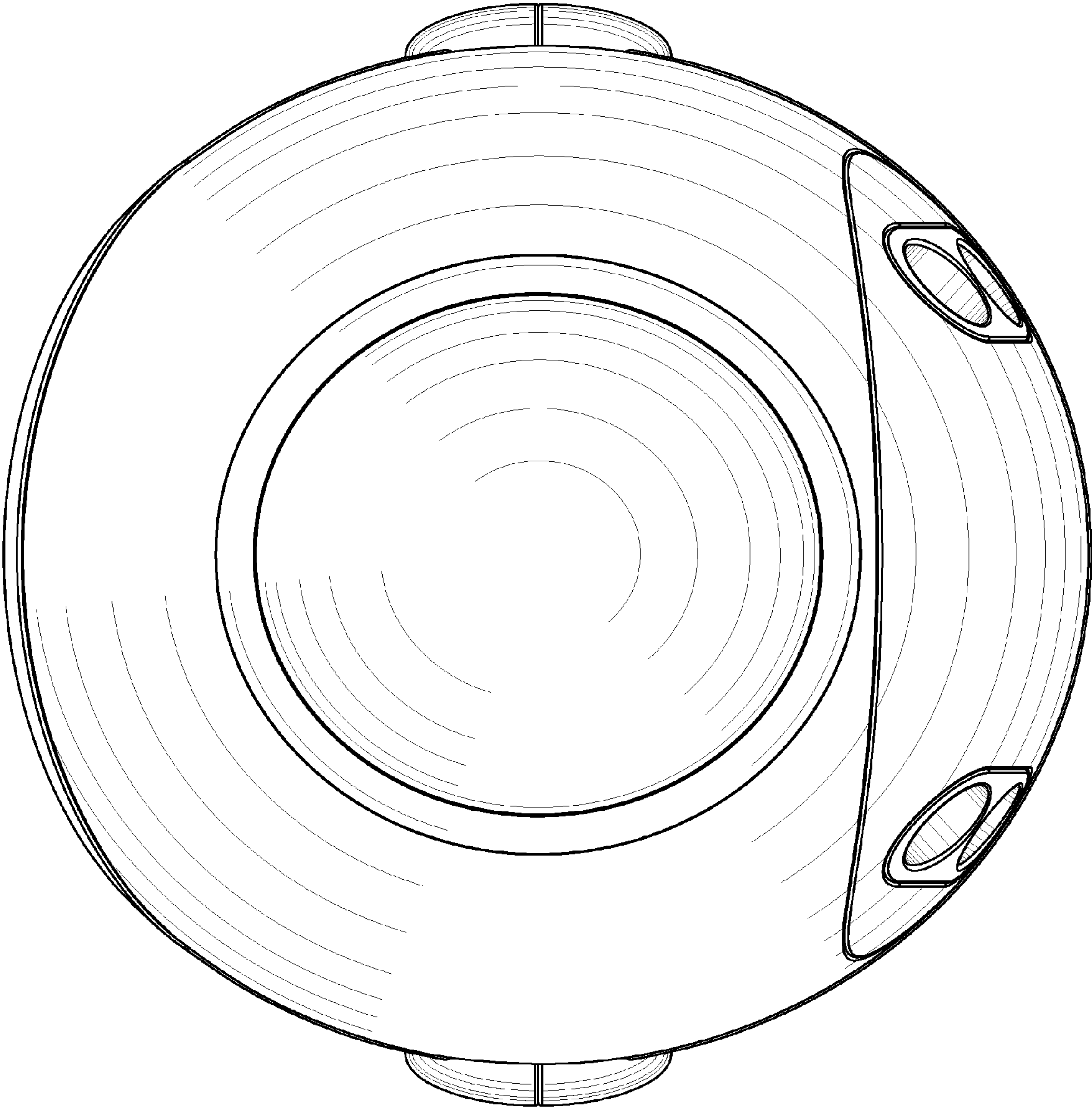


FIG. 7