



US00D606514S

(12) **United States Design Patent**
Ludlum et al.

(10) **Patent No.:** **US D606,514 S**
(45) **Date of Patent:** **** Dec. 22, 2009**

(54) **JEWELBOX SHAPED SPEAKER DOCK**

(75) Inventors: **Wayne Ludlum**, Studio City, CA (US);
Soyun Kim, Thousand Oaks, CA (US);
Christopher Glupker, Thousand Oaks,
CA (US); **Ravi Sawhney**, Thousand
Oaks, CA (US); **Lance Hussey**,
Thousand Oaks, CA (US); **Toshihiro**
Aya, Thousand Oaks, CA (US)

(73) Assignee: **Vestallife**, Studio City, CA (US)

(**) Term: **14 Years**

(21) Appl. No.: **29/332,969**

(22) Filed: **Feb. 27, 2009**

(51) **LOC (9) Cl.** **14-01**

(52) **U.S. Cl.** **D14/209.1; D14/207**

(58) **Field of Classification Search** D14/204,
D14/207, 209.1, 210–216, 172, 217; 181/143–144,
181/147–148, 150–153, 157, 198–199; 381/300–303,
381/306, 332–333, 336, 345, 361–364, 386–388;
D3/286, 288

See application file for complete search history.

(56) **References Cited**

U.S. PATENT DOCUMENTS

D343,515 S * 1/1994 Monneret D3/288
D466,887 S * 12/2002 Lewis D14/216

D467,238 S * 12/2002 Hlas et al. D14/216
D485,544 S * 1/2004 Solland D14/216
D496,650 S * 9/2004 Borsboom D14/207
D528,102 S * 9/2006 Lye D14/211
D541,260 S * 4/2007 Christianson D14/215
D554,617 S * 11/2007 Solland D14/207
D567,221 S * 4/2008 Liang D14/207
D587,238 S * 2/2009 Xie D14/172

* cited by examiner

Primary Examiner—Nanda Bondade

(74) *Attorney, Agent, or Firm*—Merchant & Gould P.C.

(57) **CLAIM**

The ornamental design for a jewelbox shaped speaker dock,
as shown and described.

DESCRIPTION

FIG. 1 is a top, front perspective view of a jewelbox shaped
speaker dock showing our new design;

FIG. 2 is a front elevational view thereof;

FIG. 3 is a rear elevational view thereof;

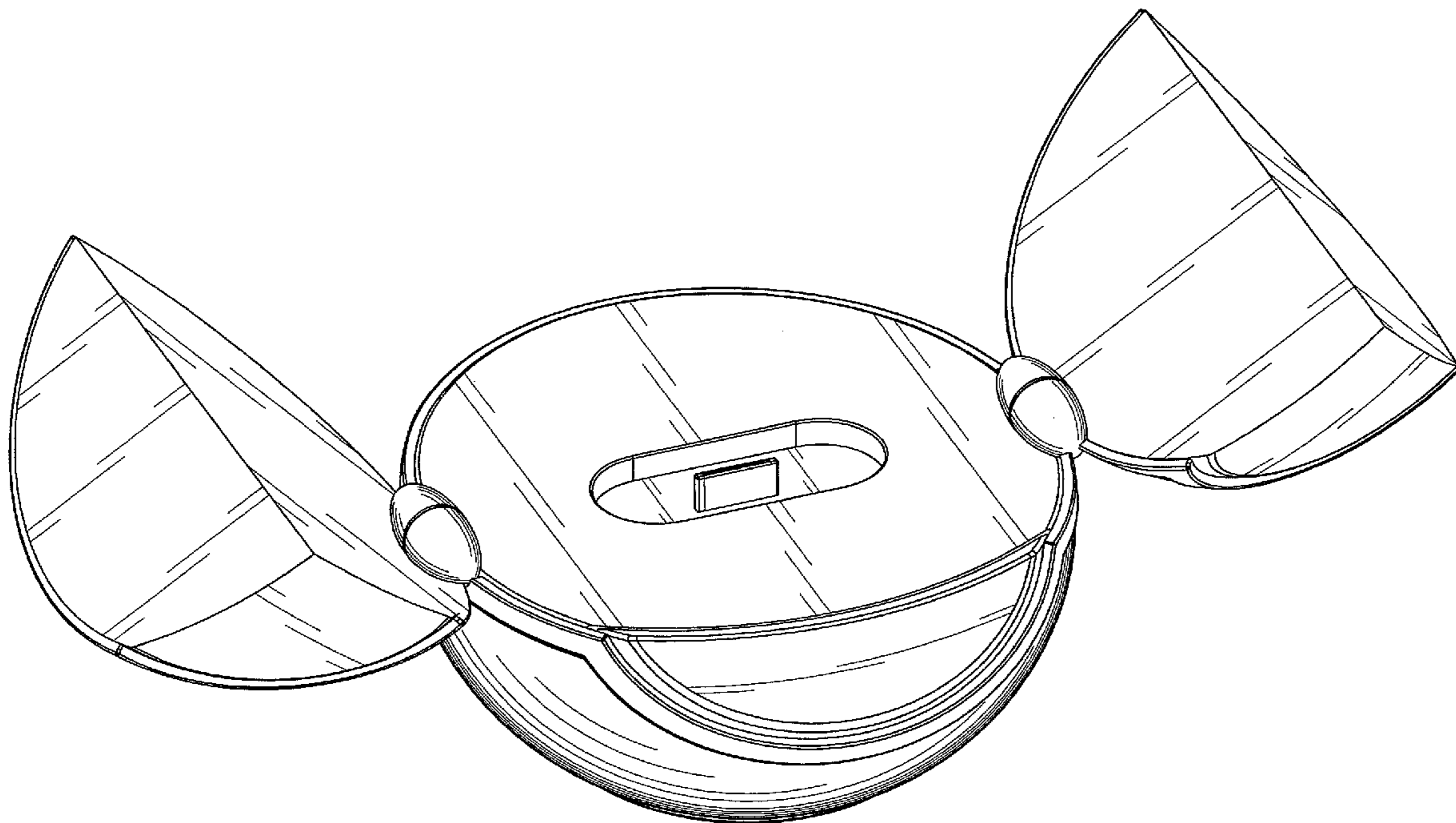
FIG. 4 is a right side elevational view thereof;

FIG. 5 is a left side elevational view thereof;

FIG. 6 is a top plan view thereof; and,

FIG. 7 is a bottom plan view thereof.

1 Claim, 7 Drawing Sheets



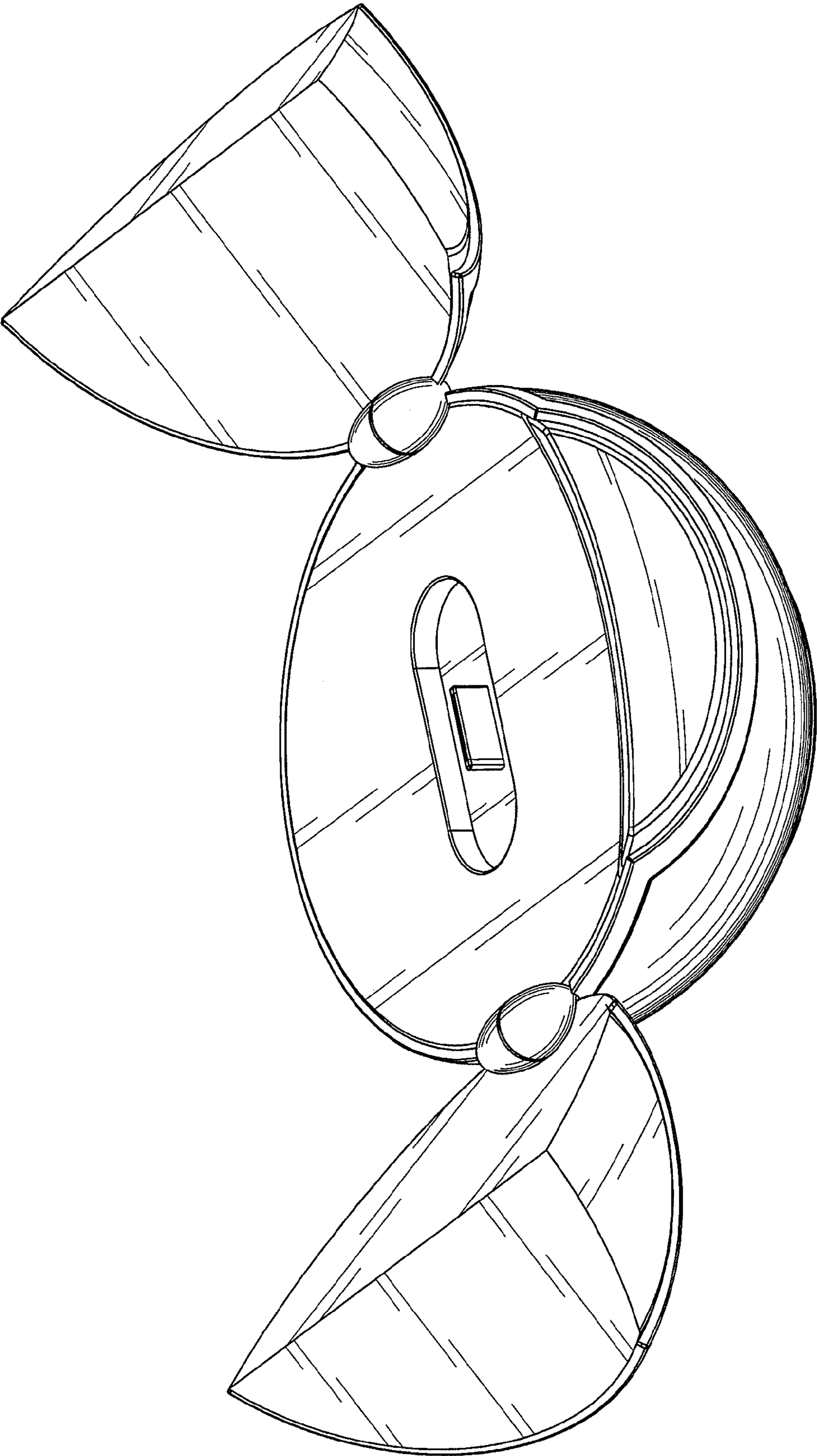


FIG. 1

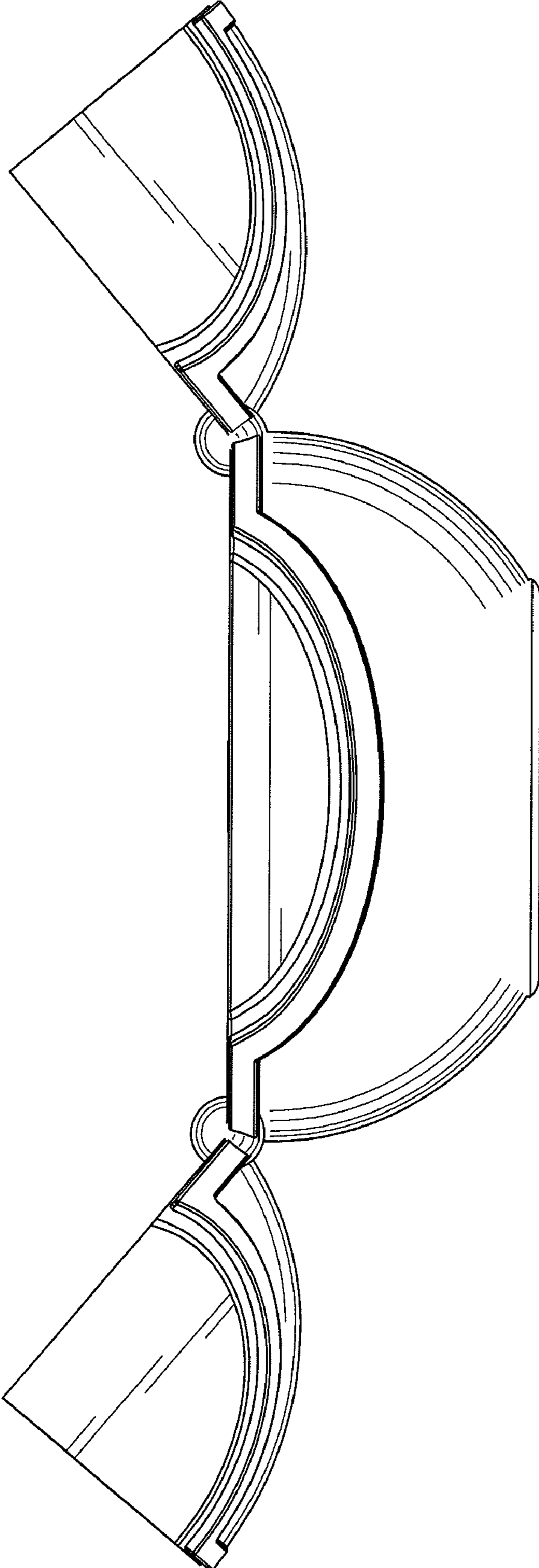


FIG. 2

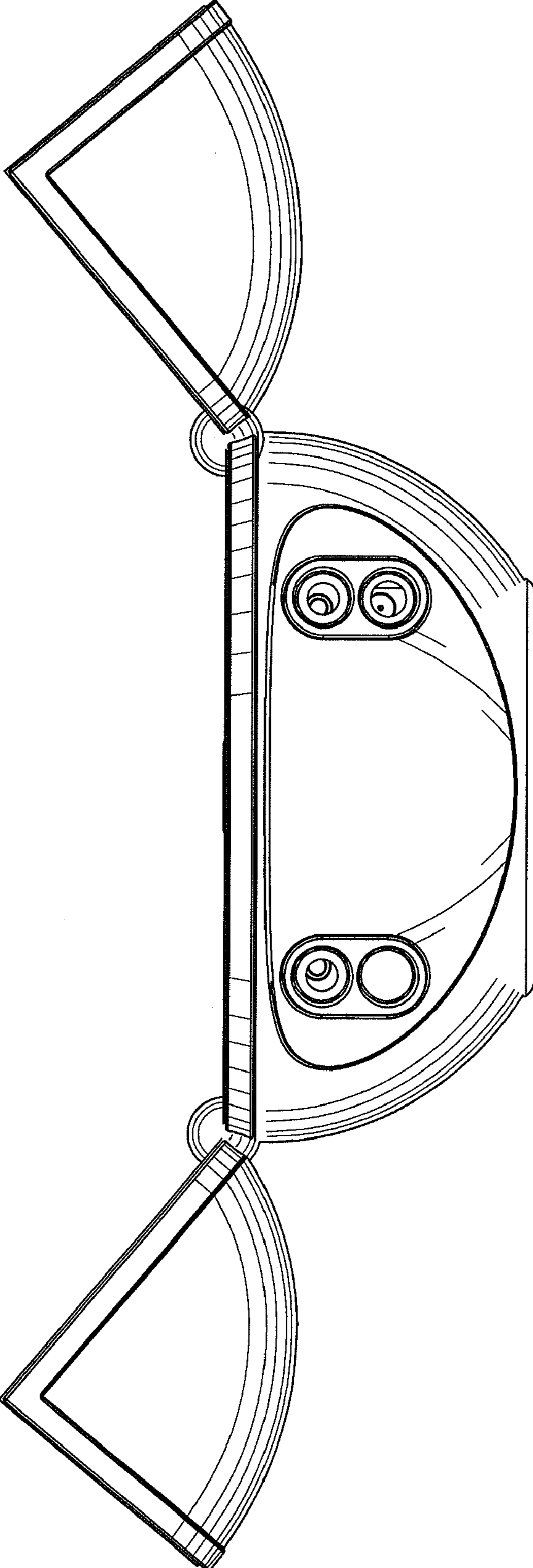


FIG. 3

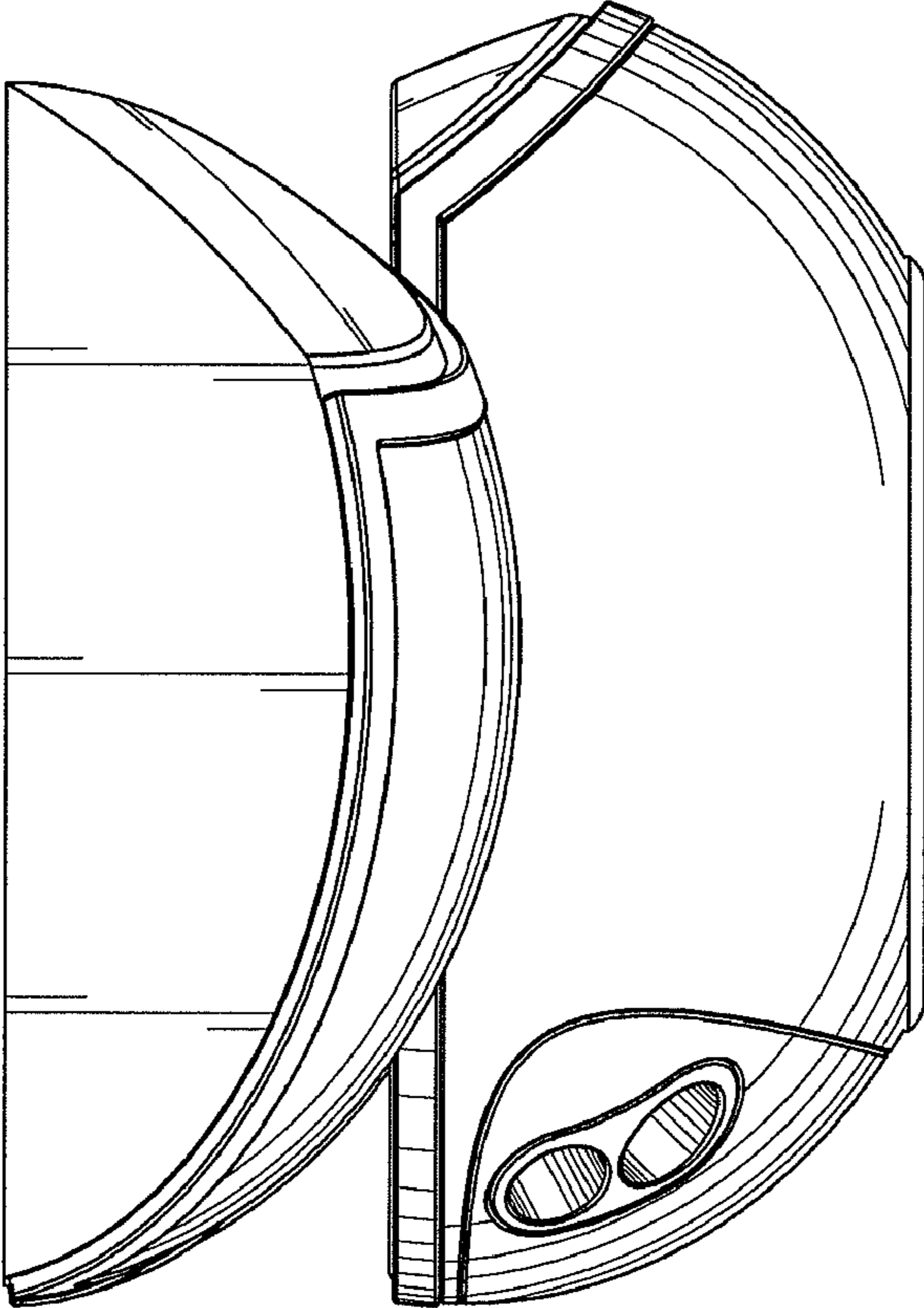


FIG. 4

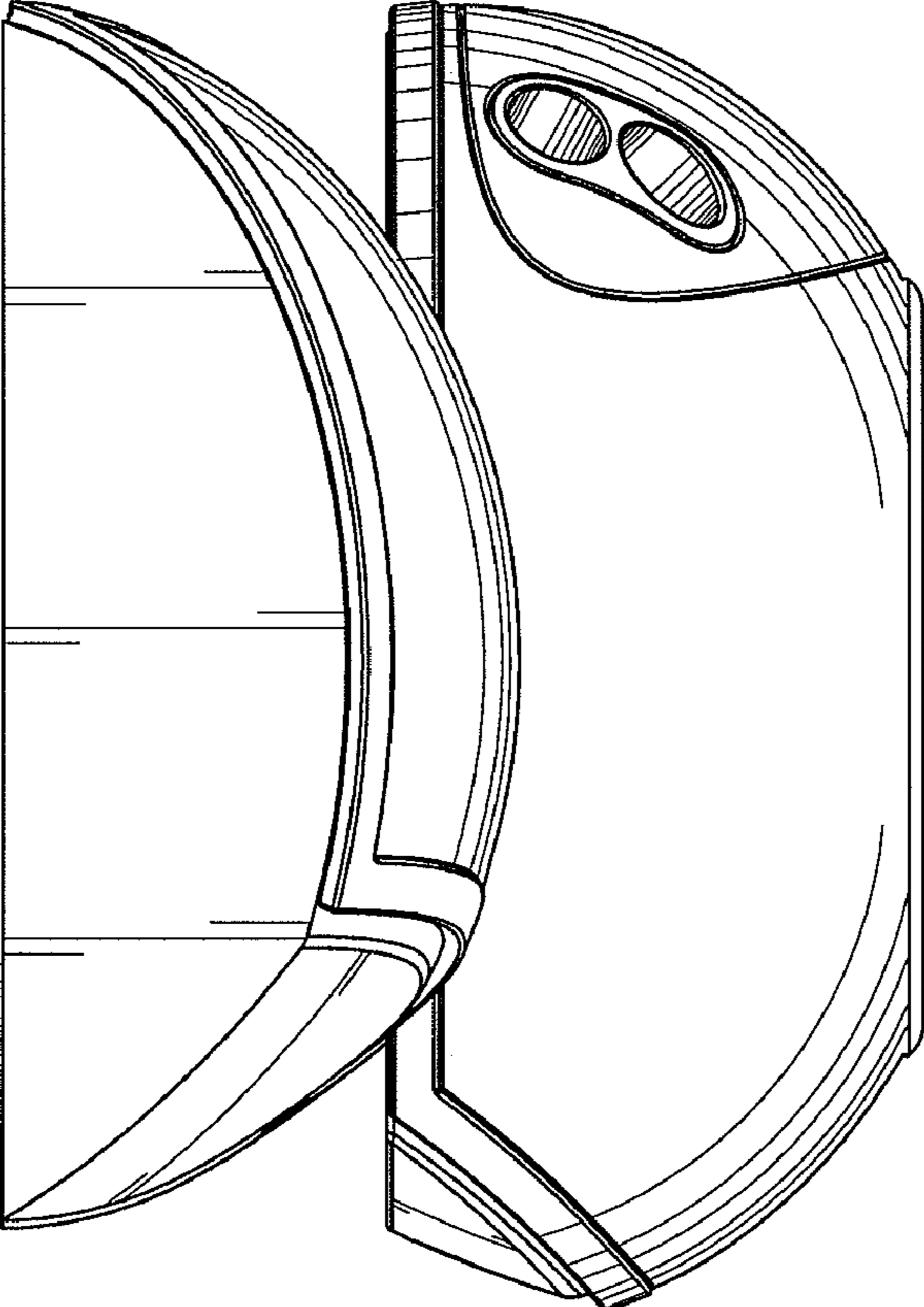


FIG. 5

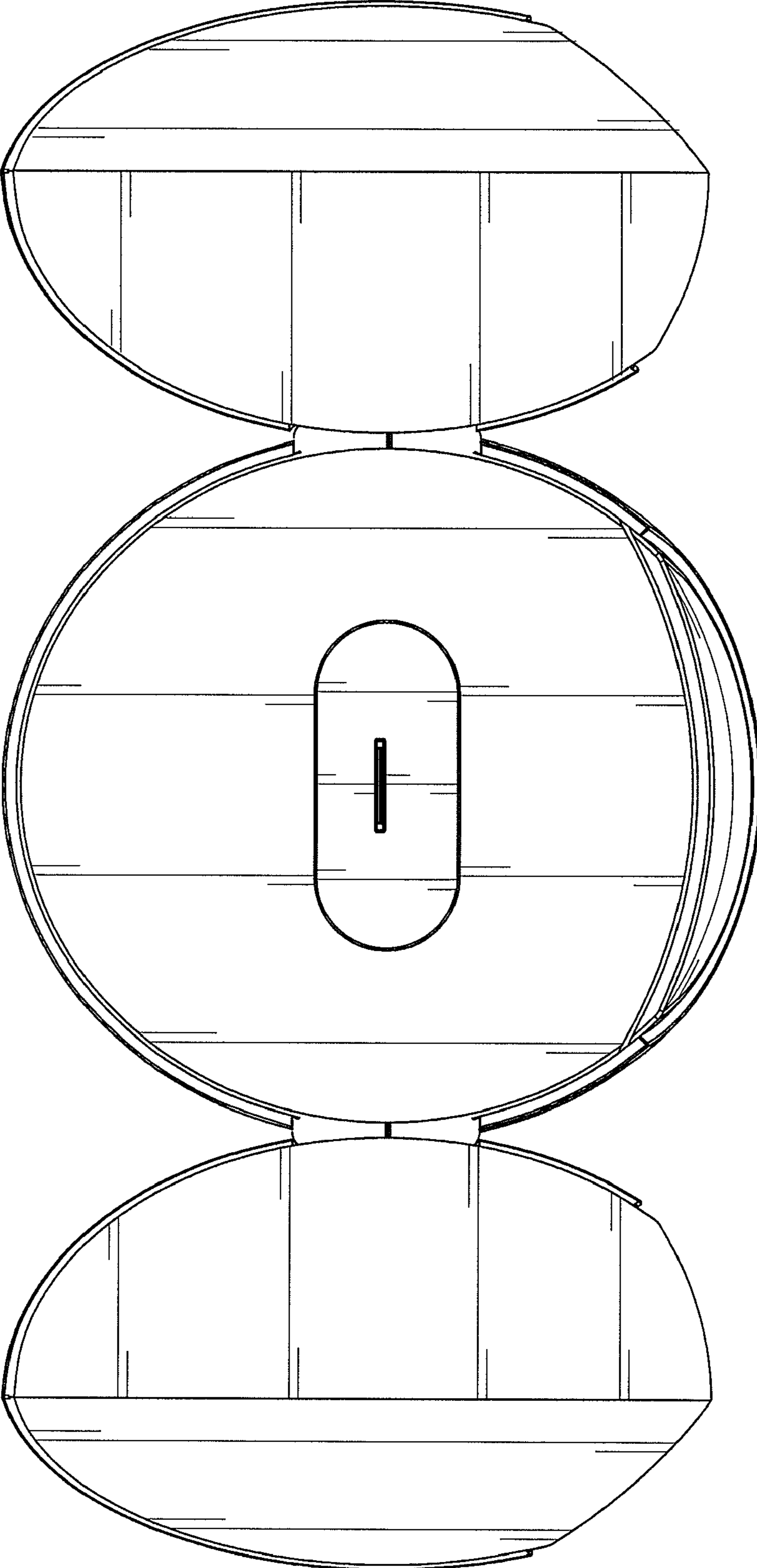


FIG. 6

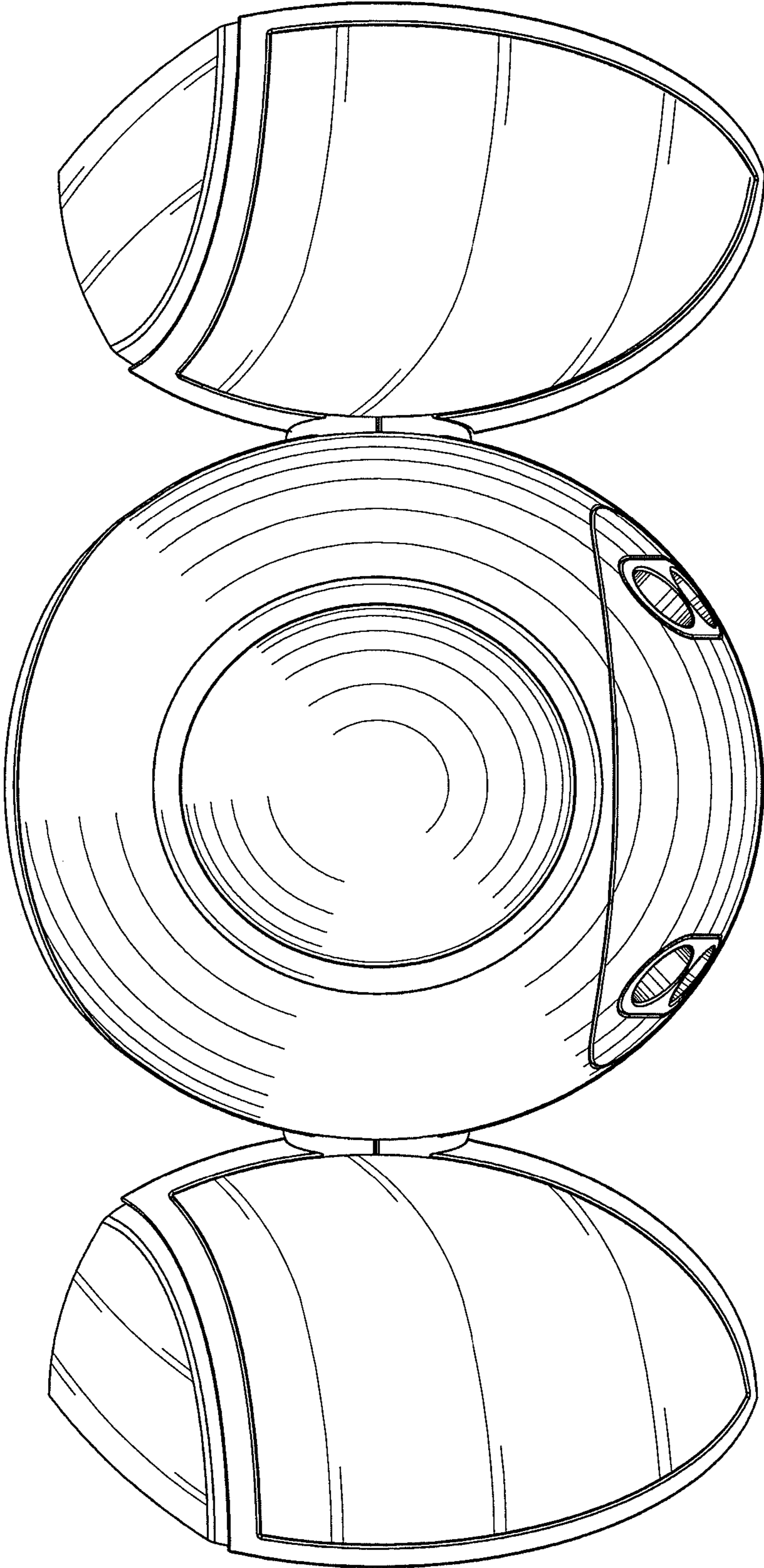


FIG. 7