



US00D606509S

(12) **United States Design Patent**  
**Kaczynski**

(10) **Patent No.:** **US D606,509 S**  
(45) **Date of Patent:** **\*\* Dec. 22, 2009**

(54) **COMBINATION AMPLIFIER AND END TABLE**

(76) Inventor: **Kristopher Kaczynski**, 497 Piel Ave.,  
Brick, NJ (US) 08723

(\*\*) Term: **14 Years**

(21) Appl. No.: **29/332,866**

(22) Filed: **Feb. 26, 2009**

(51) **LOC (9) Cl.** ..... **14-03**

(52) **U.S. Cl.** ..... **D14/193; D14/197; D14/168;**  
D6/446

(58) **Field of Classification Search** ..... D14/168,  
D14/169, 179, 188, 194-198, 215, 217, 257,  
D14/265, 299, 496; 330/1 R, 3, 4, 250; 381/86,  
381/120; 455/344-351; D6/432, 445, 446,  
D6/480, 488

See application file for complete search history.

(56) **References Cited**

**U.S. PATENT DOCUMENTS**

- 1,315,989 A 9/1919 Rubin
- D67,637 S \* 6/1925 Wolff ..... D14/199
- D147,481 S \* 9/1947 Wachsmann ..... D14/169
- D153,040 S 3/1949 Schier et al.
- D164,331 S \* 8/1951 Schliom ..... D14/198
- 3,583,780 A 6/1971 Berkowitz
- D250,760 S 1/1979 Ash et al.

- 4,194,165 A 3/1980 Skulski
- D289,179 S 4/1987 Musgrave
- D326,376 S \* 5/1992 Barfield ..... D6/446
- 6,111,961 A 8/2000 Hedrick et al.
- D495,012 S 8/2004 Morimoto
- D495,902 S \* 9/2004 Haberman et al. .... D6/480
- D530,938 S \* 10/2006 Netto et al. .... D6/446
- 7,193,458 B2 3/2007 Smith
- D554,389 S \* 11/2007 Pierce et al. .... D6/446
- D578,996 S \* 10/2008 Sutton ..... D14/172

\* cited by examiner

*Primary Examiner*—Stella M Reid

*Assistant Examiner*—Keli L Hill

(57) **CLAIM**

The ornamental design for a combination amplifier and end table, as shown.

**DESCRIPTION**

FIG. 1 is a perspective view of a combination amplifier and end table;

FIG. 2 is a front view thereof;

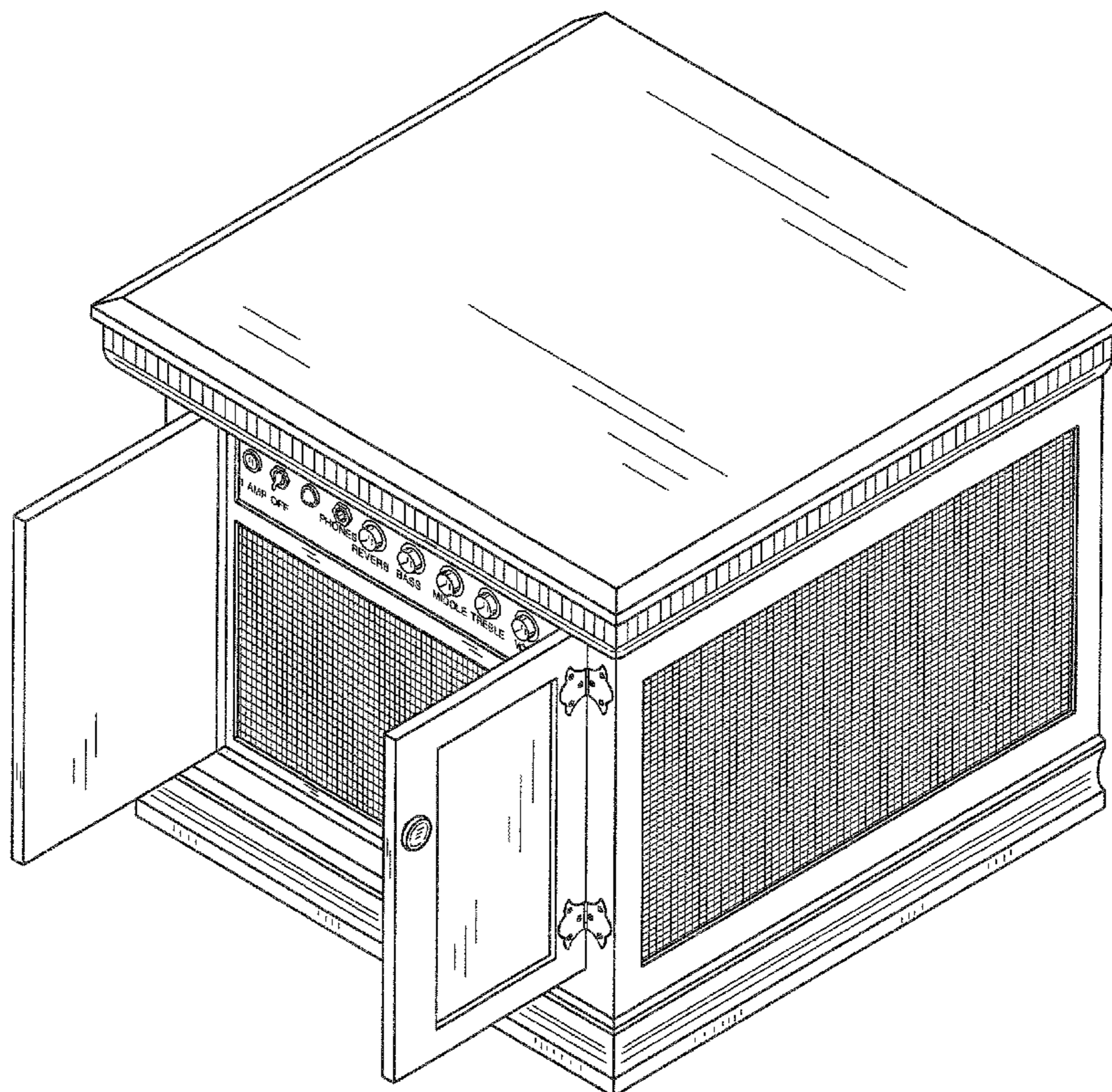
FIG. 3 is a back view thereof;

FIG. 4 is a side view thereof;

FIG. 5 is a top view thereof; and,

FIG. 6 is a bottom view thereof.

**1 Claim, 6 Drawing Sheets**



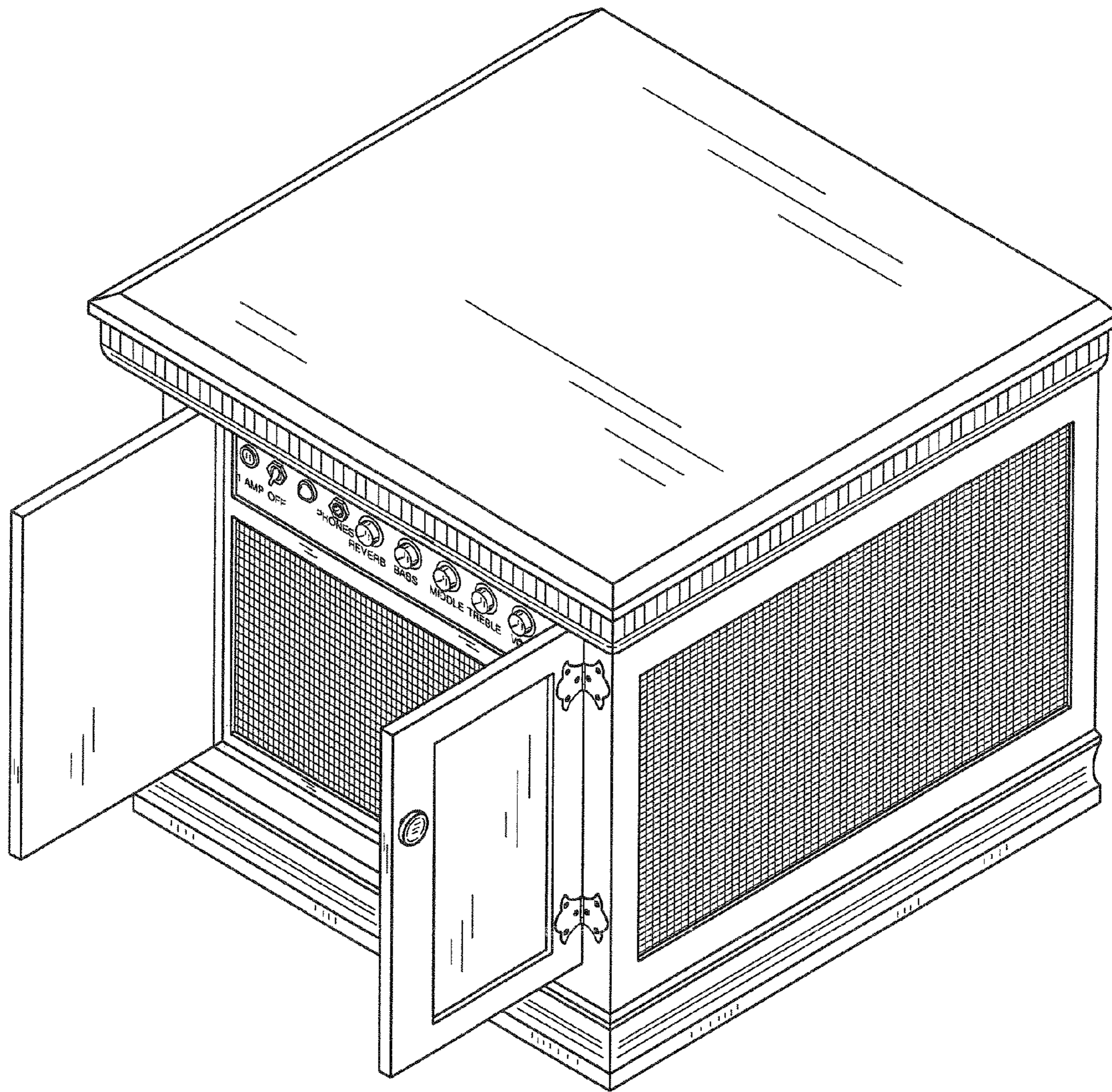


FIG. 1

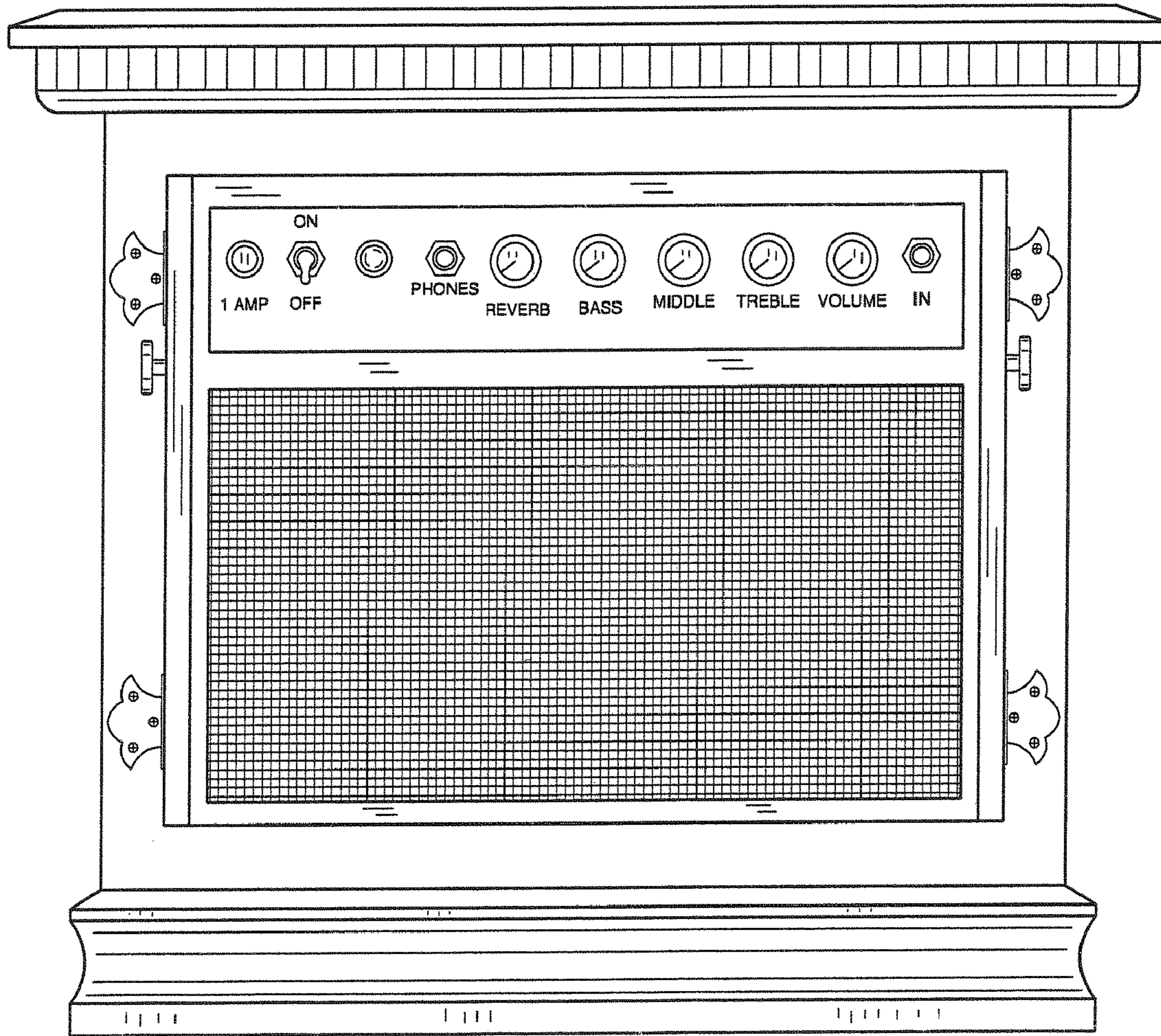


FIG. 2

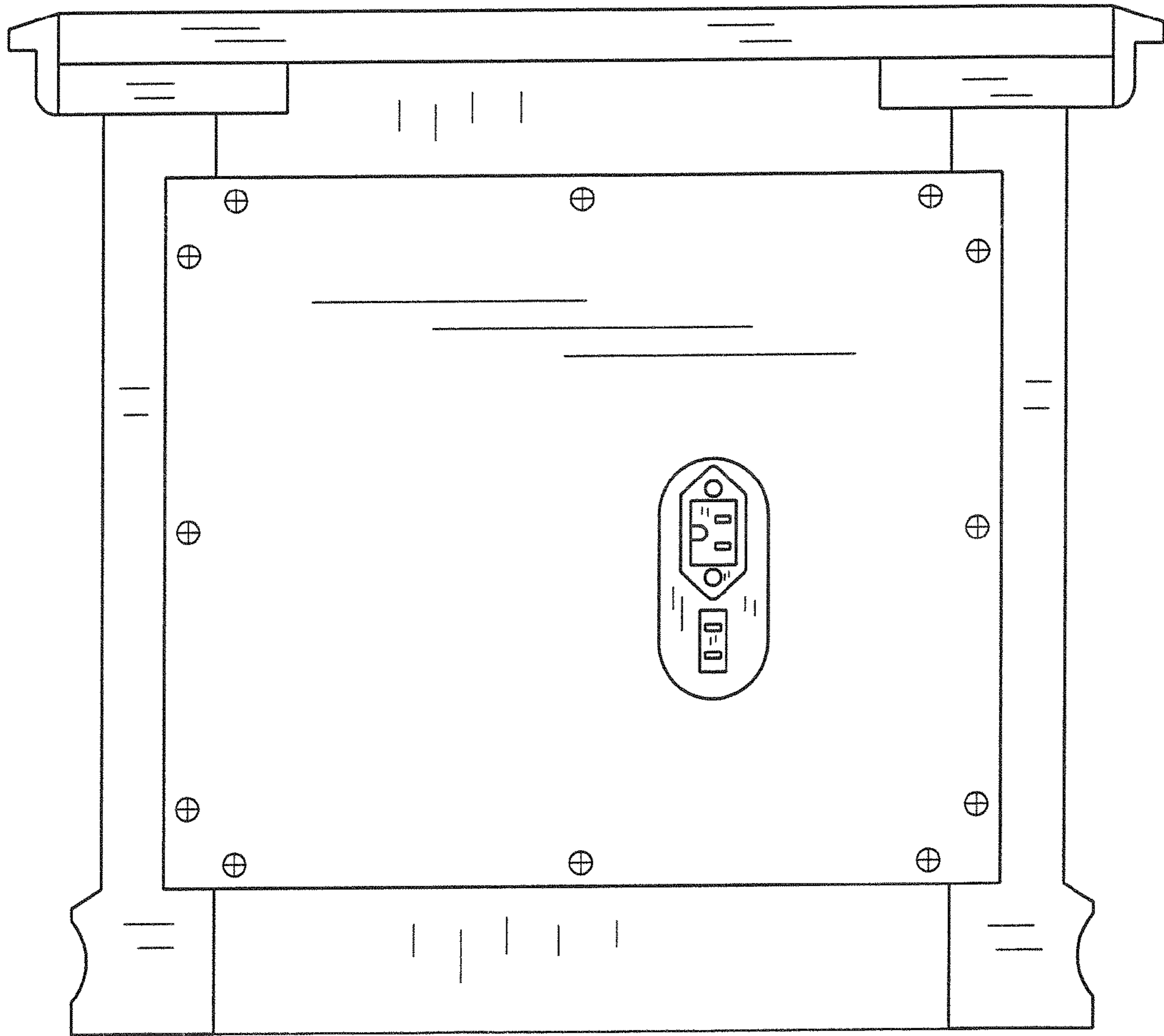


FIG. 3

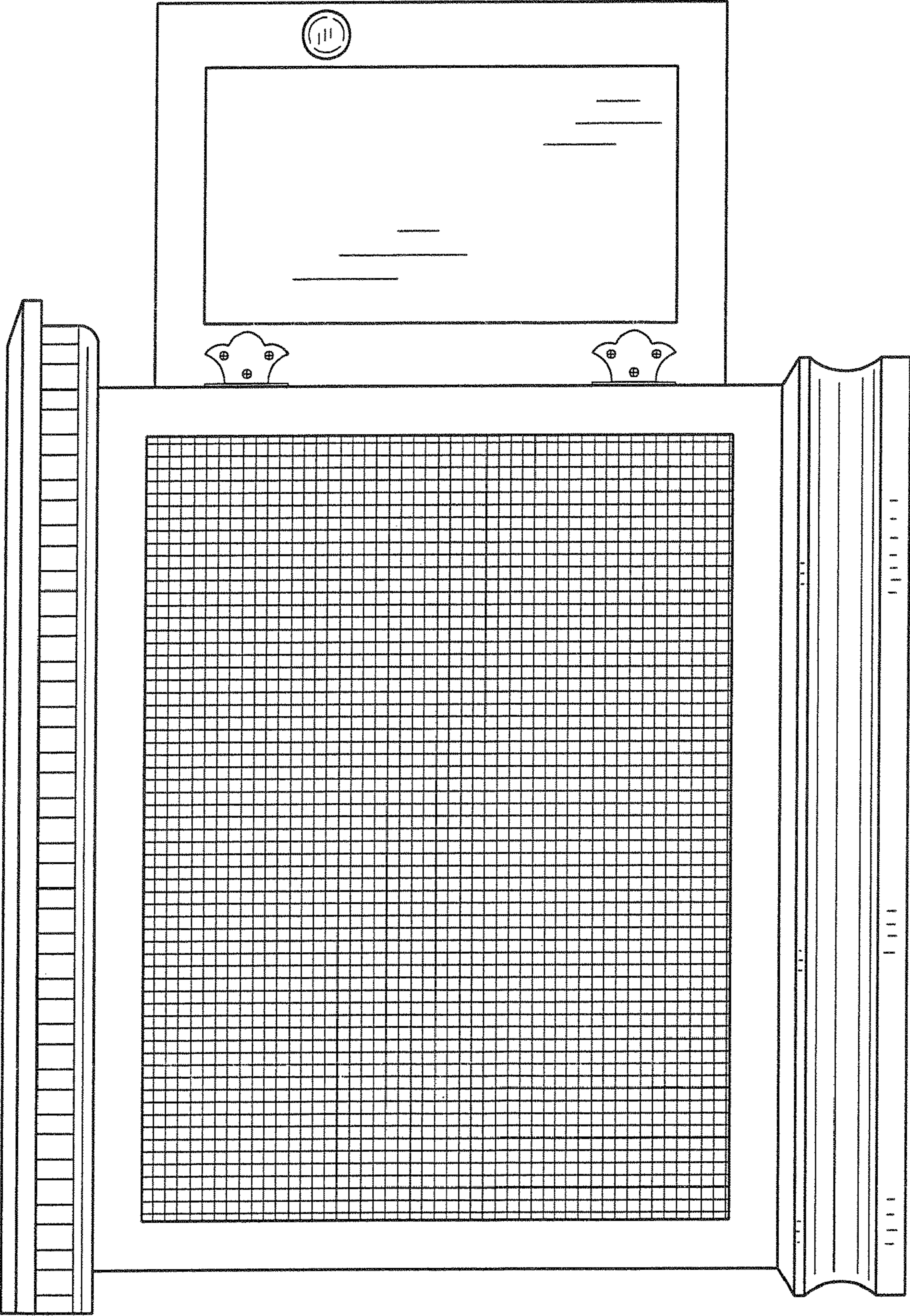


FIG. 4

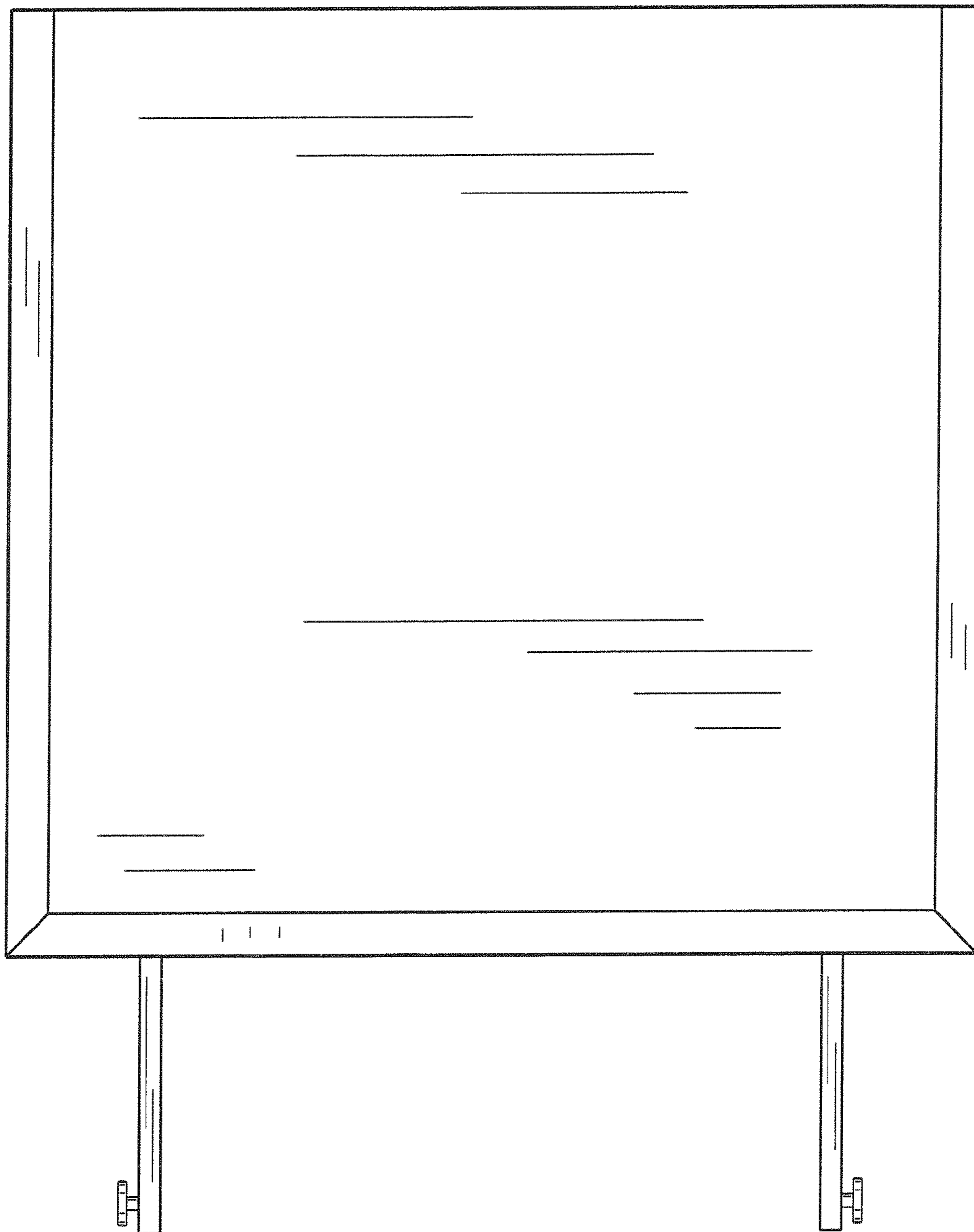


FIG. 5

FIG. 6

